



# 13AJM

Parts List  
09-March-2012



*This parts list is current as of the above revision date.  
See <http://www.rheempartslists.net/92-42805-13AJM.pdf> for the current revision.*

**Condensing Units**

# Table of Contents

Model Explanation .....	Page 3
Parts Numbers	
Panels - Miscellaneous (Granite-Steel Gray) .....	Page 4
Panels - Miscellaneous (Neutra Green) .....	Page 5
Electrical-Fan Group .....	Page 6
Coil Parts .....	Page 7
Compressor Group .....	Page 8
Accessories .....	Page 9
Drawings/Photographs	
Exploded View .....	Page 10
Control Box .....	Page 11
Valve Mounting Detail .....	Page 12
Notes/Disclaimer .....	Page 13

**MODEL NUMBER EXPLANATION**

1	3	A	J	M	1	8	A	0	1
1		2	3	4	5		6		7

- |  |   |
|--|---|
| <p>(1) <b>SEER</b><br/>13 = SEER Rating</p> <p>(2) <b>MODEL</b><br/>A = Air Conditioner</p> <p>(3) <b>VOLTAGE</b><br/>J = 208-230/1/60</p> <p>(4) <b>DESIGN SERIES</b></p> | <p>(5) <b>COOLING CAPACITY (BTU/HR)</b><br/>018= 18,000<br/>024= 24,000<br/>030= 30,000<br/>036= 36,000<br/>042= 42,000<br/>048= 48,000<br/>060= 60,000</p> <p>(6) <b>CABINET</b><br/>A = Full Metal Jacket</p> <p>(7) <b>NAMEPLATE</b></p> |
|--|---|

**SERIAL NUMBER EXPLANATION**

8	0	3	0	W	0	7	0	9	9	9	9	9	9
1				2		3		4				5	

- (1) **COMPRESSOR IDENTIFICATION NUMBER**
- (2) **PRODUCTION LOCATION**
- (3) **WEEK OF PRODUCTION**
- (4) **YEAR OF PRODUCTION**
- (5) **PRODUCTION NUMBER**

No.	Notes	MODEL COOLING CAPACITY VARIATION	13AJM 18 A01	13AJM 24 A01	13AJM 30 A01	13AJM 36 A01
<b>SHEET METAL PARTS, MISCELLANEOUS (Granite/Steel Gray, After Date Code 4811)</b>						
1		Cabinet	AE-100726-81	AE-100726-81	AE-100726-82	AE-100726-83
2		Cabinet Panel	AE-100727-85	AE-100727-85	AE-100727-88	AE-100727-87
3		Base Pan	AE-100069-01	AE-100069-01	AE-100069-02	AE-101588-03
4		Control Box	AE-100654-81	AE-100654-81	AE-100654-81	AE-100654-81
5		Control Box Cover	AE-100657-81	AE-100657-81	AE-100657-81	AE-100657-81
6		Top Panel	AE-100652-81	AE-100652-81	AE-100652-82	AE-100652-83
8		Grille	95-100906-01	95-100906-01	95-100906-03	95-100906-04
		Center Cap - Blank (for Grille)	91-101123-09	91-101123-09	91-101123-09	91-101123-09
12		Valve Mounting Panel	AE-57780-01	AE-57780-01	AE-57780-01	AE-57780-01
14		Service Valve - Suction	See Coil Group			
15		Service Valve - Liquid	See Coil Group			
17		Low Voltage Cover	AE-57756-01	AE-57756-01	AE-57756-01	AE-57756-01
		Touch-up Paint - Granite/Steel Gray (Aerosol)	PD523018	PD523018	PD523018	PD523018
		Touch-up Paint - Granite/Steel Gray (Paint Pens)	PD523019	PD523019	PD523019	PD523019

No.	Notes	MODEL COOLING CAPACITY VARIATION	13AJM 42 A01	13AJM 48 A01	13AJM 60 A01	
<b>SHEET METAL PARTS, MISCELLANEOUS (Granite/Steel Gray, After Date Code 4811)</b>						
1		Cabinet	AE-100726-83	AE-100726-84	AE-100726-84	
2		Cabinet Panel	AE-100727-83	AE-100727-84	AE-100727-84	
3		Base Pan	AE-101588-03	AE-101588-03	AE-101588-03	
4		Control Box	AE-100654-81	AE-100654-84	AE-100654-84	
5		Control Box Cover	AE-100657-81	AE-100657-81	AE-100657-81	
6		Top Panel	AE-100652-83	AE-100652-83	AE-100652-83	
8		Grille	95-100906-04	95-100906-04	95-100906-04	
		Center Cap - Blank (for Grille)	91-101123-09	91-101123-09	91-101123-09	
12		Valve Mounting Panel	AE-57780-01	AE-100185-81	AE-100185-81	
14		Service Valve - Suction	See Coil Group			
15		Service Valve - Liquid	See Coil Group			
17		Low Voltage Cover	AE-57756-01	AE-57756-01	AE-57756-01	
		Touch-up Paint - Granite/Steel Gray (Aerosol)	PD523018	PD523018	PD523018	
		Touch-up Paint - Granite/Steel Gray (Paint Pens)	PD523019	PD523019	PD523019	

No.	Notes	MODEL COOLING CAPACITY VARIATION	13AJM 18 A01	13AJM 24 A01	13AJM 30 A01	13AJM 36 A01
<b>SHEET METAL PARTS, MISCELLANEOUS (Neutra Green, Before Date Code 4811)</b>						
1		Cabinet	AE-100726-51	AE-100726-51	AE-100726-52	AE-100726-53
2		Cabinet Panel	AE-100727-55	AE-100727-55	AE-100727-58	AE-100727-57
3		Base Pan	AE-100069-01	AE-100069-01	AE-100069-02	AE-101588-03
4		Control Box	AE-100654-51	AE-100654-51	AE-100654-51	AE-100654-51
5		Control Box Cover	AE-100657-51	AE-100657-51	AE-100657-51	AE-100657-51
6		Top Panel	AE-100652-51	AE-100652-51	AE-100652-52	AE-100652-53
8		Grille	95-100906-01	95-100906-01	95-100906-03	95-100906-04
		Center Cap - Blank (for Grille)	91-101123-09	91-101123-09	91-101123-09	91-101123-09
12		Valve Mounting Panel	AE-57780-01	AE-57780-01	AE-57780-01	AE-57780-01
14		Service Valve - Suction	See Coil Group			
15		Service Valve - Liquid	See Coil Group			
17		Low Voltage Cover	AE-57756-01	AE-57756-01	AE-57756-01	AE-57756-01
		Touch-up Paint (Aerosol)	52-18662-48	52-18662-48	52-18662-48	52-18662-48
		Touch-up Paint (Paint Pens)	523010	523010	523010	523010

No.	Notes	MODEL COOLING CAPACITY VARIATION	13AJM 42 A01	13AJM 48 A01	13AJM 60 A01	
<b>SHEET METAL PARTS, MISCELLANEOUS (Neutra Green, Before Date Code 4811)</b>						
1		Cabinet	AE-100726-53	AE-100726-54	AE-100726-54	
2		Cabinet Panel	AE-100727-53	AE-100727-54	AE-100727-54	
3		Base Pan	AE-101588-03	AE-101588-03	AE-101588-03	
4		Control Box	AE-100654-51	AE-100654-54	AE-100654-54	
5		Control Box Cover	AE-100657-51	AE-100657-51	AE-100657-51	
6		Top Panel	AE-100652-53	AE-100652-53	AE-100652-53	
8		Grille	95-100906-04	95-100906-04	95-100906-04	
		Center Cap - Blank (for Grille)	91-101123-09	91-101123-09	91-101123-09	
12		Valve Mounting Panel	AE-57780-01	AE-100185-51	AE-100185-51	
14		Service Valve - Suction	See Coil Group			
15		Service Valve - Liquid	See Coil Group			
17		Low Voltage Cover	AE-57756-01	AE-57756-01	AE-57756-01	
		Touch-up Paint (Aerosol)	52-18662-48	52-18662-48	52-18662-48	
		Touch-up Paint (Paint Pens)	523010	523010	523010	

No.	Notes	MODEL COOLING CAPACITY VARIATION	13AJM 18 A01	13AJM 24 A01	13AJM 30 A01	13AJM 36 A01
<b>ELECTRICAL/FAN GROUP</b>						
7	Stk	Fan Motor	51-101774-04	51-101774-04	51-101774-04	51-101774-02
9	Stk	Fan Blade	70-102033-05	70-102033-05	70-102011-08	70-102011-03
16	Stk	Contactora	42-102851-01	42-102851-01	42-102851-01	42-102851-01
17		Low Voltage Cover	See Panels - Miscellaneous			
18		Control Box Bottom	AE-100655-01	AE-100655-01	AE-100655-01	AE-100655-01
19		Capacitor - Compressor/Fan	See Compressor Group			

No.	Notes	MODEL COOLING CAPACITY VARIATION	13AJM 42 A01	13AJM 48 A01	13AJM 60 A01	
<b>ELECTRICAL/FAN GROUP</b>						
7	Stk	Fan Motor	51-101774-02	51-101774-02	51-102008-07	
9	Stk	Fan Blade	70-102011-13	70-102011-13	70-102011-10	
16	Stk	Contactora	42-102851-01	42-102851-01	42-102851-03	
17		Low Voltage Cover	See Panels - Miscellaneous			
18		Control Box Bottom	AE-100655-01	AE-100655-01	AE-100655-01	
19		Capacitor - Compressor/Fan	See Compressor Group			

No.	Notes	MODEL COOLING CAPACITY VARIATION	13AJM 18 A01	13AJM 24 A01	13AJM 30 A01	13AJM 36 A01
<b>COIL GROUP</b>						
11	Stk	Condenser Coil	AS-103248-03	AS-103165-03	AS-103166-03	AS-103167-03
13		Valve Mounting Bracket	AE-57781-01	AE-57781-01	AE-57781-01	AE-57781-01
14		Service Valve - Suction	61-21368-07	61-21368-07	61-21368-07	61-21368-07
15		Service Valve - Liquid	61-21368-05	61-21368-05	61-21368-05	61-21368-05
		Filter Drier	83-22755-12	83-22755-12	83-22755-12	83-22755-12

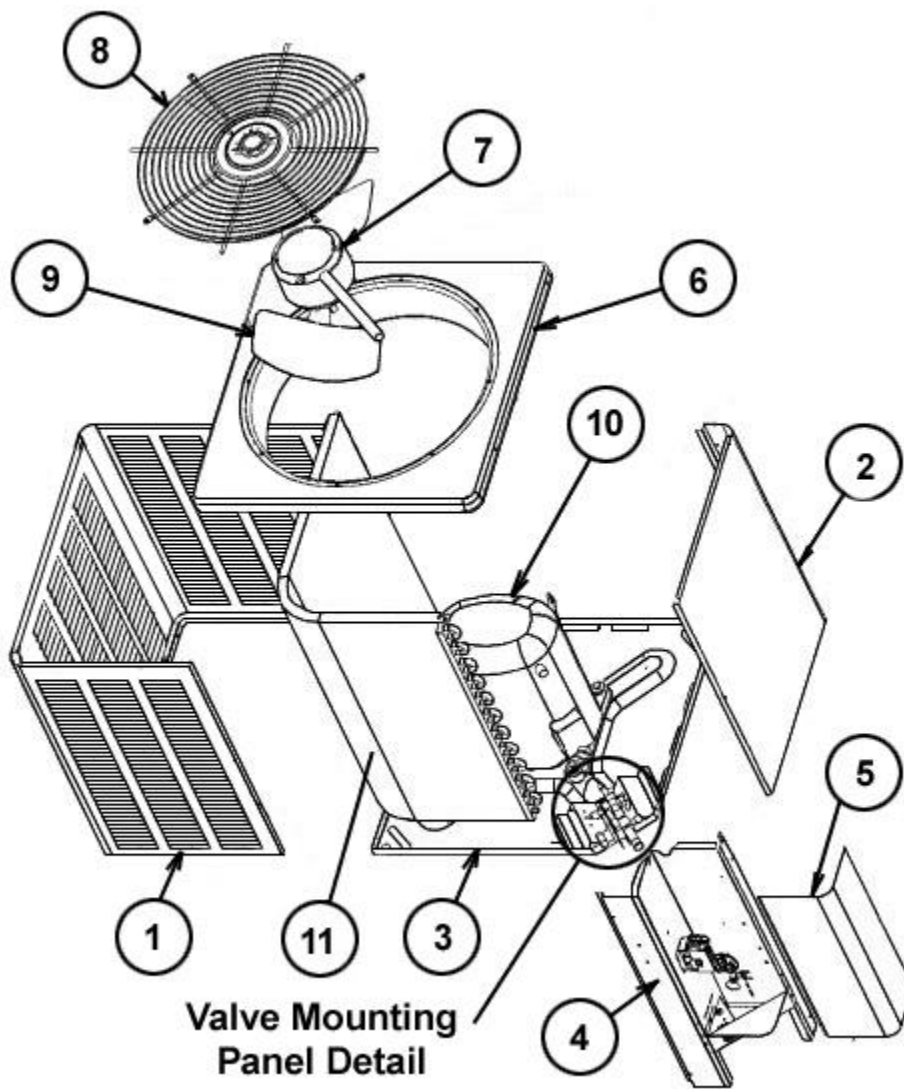
No.	Notes	MODEL COOLING CAPACITY VARIATION	13AJM 42 A01	13AJM 48 A01	13AJM 60 A01	
<b>COIL GROUP</b>						
11	Stk	Condenser Coil	AS-103168-03	AS-103169-03	AS-101763-03	
13		Valve Mounting Bracket	AE-57781-02	AE-57781-02	AE-57781-02	
14		Service Valve - Suction	61-21368-08	61-21368-08	61-21368-08	
15		Service Valve - Liquid	61-21368-05	61-21368-05	61-21368-05	
		Filter Drier	83-22755-12	83-22755-12	83-22755-12	

No.	Notes	MODEL COOLING CAPACITY VARIATION	13AJM 18 A01	13AJM 24 A01	13AJM 30 A01	13AJM 36 A01
<b>COMPRESSOR GROUP</b>						
		<b>Compressor ID:</b>	<b>8029</b>	<b>8030</b>	<b>8031</b>	<b>8032</b>
10	Stk	Compressor	55-102045-14S	55-102045-24S	55-102045-31S	55-102045-03S
19	Stk	Capacitor - Compressor/Fan	43-101665-40	43-101665-44	43-101665-09	43-26271-41
		Compressor Wiring Harness (Molded Plug)	45-100834-80	45-100834-80	45-100834-80	45-100834-80

No.	Notes	MODEL COOLING CAPACITY VARIATION	13AJM 42 A01	13AJM 48 A01	13AJM 60 A01	
<b>COMPRESSOR GROUP</b>						
		<b>Compressor ID:</b>	<b>8033</b>	<b>8034</b>	<b>8035</b>	
10	Stk	Compressor	55-102045-12S	55-102045-09S	55-102045-26S	
19	Stk	Capacitor - Compressor/Fan	43-26261-41	43-26261-43	43-26271-47	
		Compressor Wiring Harness (Molded Plug)	45-100834-80	45-100834-80	45-100834-80	

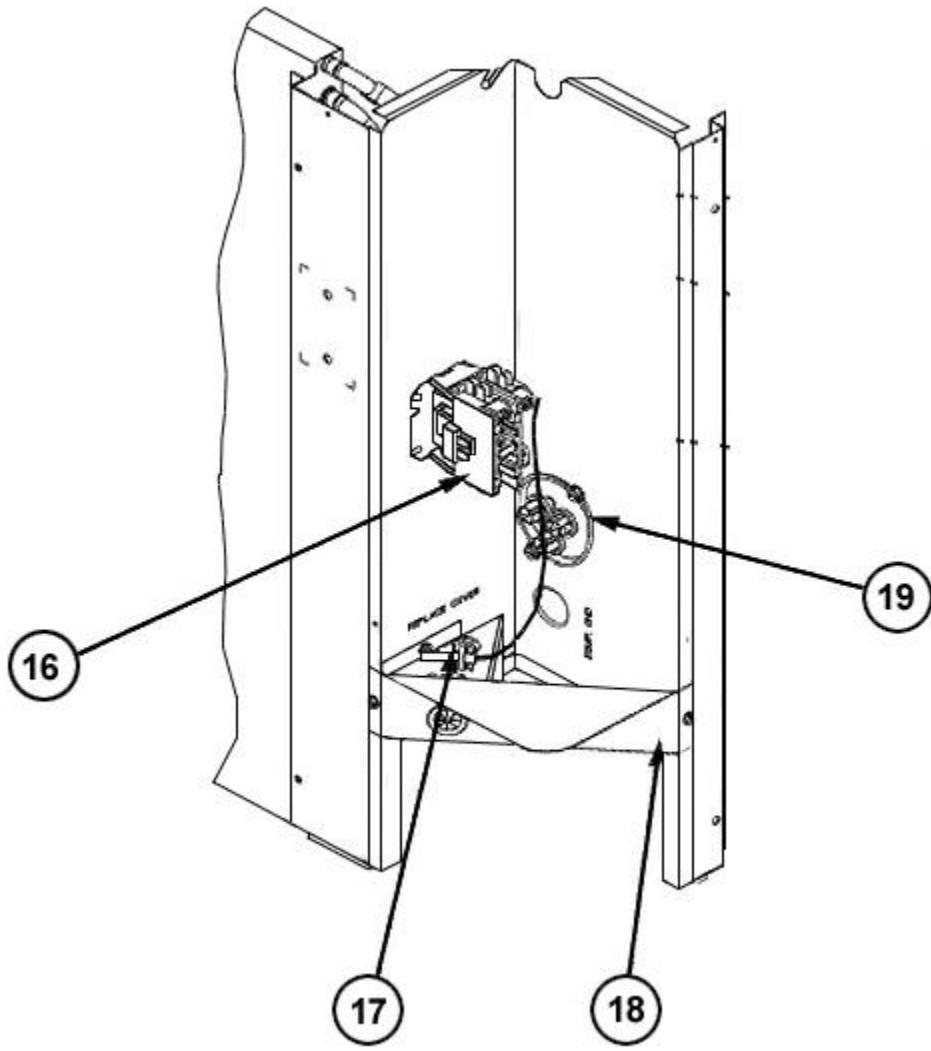


No.	Notes	MODEL COOLING CAPACITY VARIATION	13AJM ALL ALL
<b>ACCESORIES</b>			
		Low Ambient Control	RXAD-A08
		Compressor Time Delay Control	RXMD-B01
		High Pressure Control	RXAB-A07
		Low Pressure Control	RXAC-A07

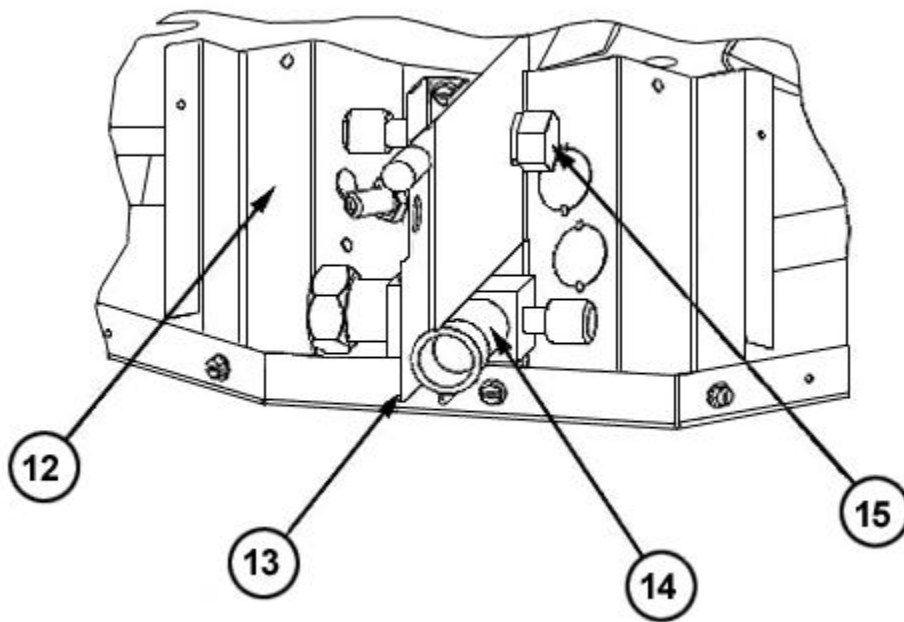


**Valve Mounting  
Panel Detail**

Exploded View



Control Box



Valve Mounting Detail

# NOTES

Stk It is recommended that stock be maintained for this part.  
N/A Not Applicable

**DISCLAIMER:** This document is intended to provide general replacement parts information to aid qualified service personnel in the repair of these models. The complete Model and Serial Number of the unit under repair should be specified when selecting and ordering replacement parts. Specifications and illustrations are subject to change without notice. Document 92-42805-13AJM supersedes all previous parts lists for these models. See <http://www.rheempartslists.net/92-42805-13AJM> for the latest revision of this document. The manufacturer assumes no obligation for errors or omissions. Service personnel must verify the proper and safe operation of equipment after the replacement of any original components.