

SUBMITTAL SHEET FOR 13AJA SERIES 1.5 TO 5 NOMINAL TON [5.28 TO 17.58 kW], 13 SEER CONDENSING UNITS

JOB NAME _____ LOCATION _____
CONTRACTOR _____ ORDER NO. _____
ENGINEER _____ UNIT MODEL NO. _____
SUBMITTED FOR APPROVAL RECORD COIL MODEL NO. _____
DATE _____ AIR HANDLER MODEL NO. _____

FEATURES FOR 13AJA SERIES CONDENSING UNITS 1.5 TO 5 NOMINAL TON [5.28 TO 17.58 kW]

- Painted louvered steel cabinet.
- Easily accessible control box.
- Grille/motor mount for quiet fan operation.
- Condenser coils constructed with copper tubing and enhanced aluminum fins.
- Certified and rated under ARI Standard 210.
- U.L. listed.
- Factory limited warranty on parts as follows:
 - Condenser Coil leaks caused by factory defects.....Five (5) Years
 - Compressor Five (5) Years
 - Any Other PartFive (5) Years

UNIT DATA

COOLING PERFORMANCE

EFFICIENCY SEER
TOTAL CAPACITY* MBH [kW]
SENSIBLE CAPACITY* MBH [kW]
OUTDOOR DESIGN TEMP. °F [°C] DB
TEMP. OF AIR ENTERING
EVAPORATOR COIL..... °F [°C] DB
..... °F [°C] WB
POWER INPUT REQUIREMENT kW
(*uses blower motor heat)

SUPPLY AIR BLOWER PERFORMANCE

TOTAL AIR SUPPLY CFM [L/s]
TOTAL RESISTANCE EXTERNAL
TO UNIT IWG
BLOWER SPEED RPM
POWER OUTPUT REQUIREMENT .. BHP
MOTOR RATING HP [W]
POWER INPUT REQUIREMENT kW

ELECTRICAL DATA

POWER SUPPLY / /
TOTAL UNIT AMPACITY..... AMPS
MINIMUM WIRE SIZE AWG
MAXIMUM OVERCURRENT DEVICE
FUSES/HACR BREAKER AMPS

CLEARANCES

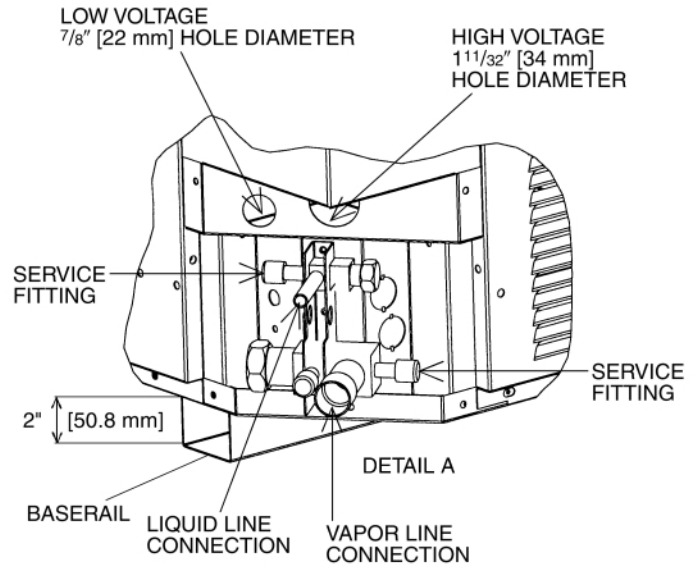
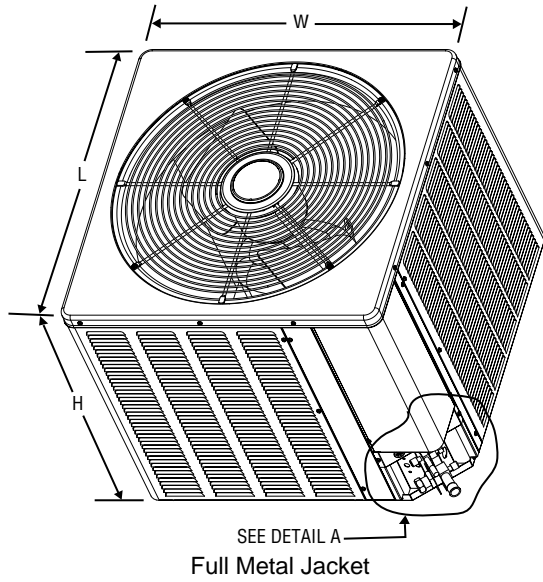
ACCESS SIDE 24" [609.6 mm]
AIR INLETS 6" [152.4 mm]
ABOVE UNIT 60" [1524 mm]

FIELD INSTALLED ACCESSORIES

- Low Pressure Control.....
High Pressure Control
Low Ambient Control
Compressor Time Delay Control
Crankcase Heater
Sound Enclosure
Filter Drier



**13AJA 18, 24, 30,
36, 42, 48, 60**



Model No. 13AJA	Unit Dimensions		
	Width "W" Inches [mm]	Length "L" Inches [mm]	Height "H" Inches [mm]
18, 24	23 ⁵ / ₈ [600]	23 ⁵ / ₈ [600]	24 ¹ / ₄ [616]
30	27 ⁵ / ₈ [702]	27 ⁵ / ₈ [702]	24 ¹ / ₄ [616]
36, 42, 48	31 ⁵ / ₈ [803]	31 ⁵ / ₈ [803]	27 ¹⁵ / ₁₆ [710]
60	31 ⁵ / ₈ [803]	31 ⁵ / ₈ [803]	35 ¹⁵ / ₁₆ [913]

[] Designates Metric Conversions

Before proceeding with installation, refer to installation instructions packaged with each model, as well as complying with all Federal, State, Provincial, and Local codes, regulations, and practices.

"In keeping with its policy of continuous progress and product improvement, ICECO reserves the right to make changes without notice."