



# 13AJA

Parts List  
20-June-2014



*This parts list is current as of the above revision date.  
See <http://www.rheempartslists.net/92-42805-13AJA.pdf> for the current revision.*

**Condensing Units**

# Table of Contents

Model Explanation .....	Page 3
<b>Parts Numbers</b>	
Panels - Miscellaneous (Granite-Steel Gray) .....	Page 4
Panels - Miscellaneous (Neutra Green) .....	Page 5
Panels - Miscellaneous (ICECO Gray) 18-36 .....	Page 6
Panels - Miscellaneous (ICECO Gray) 42-60 .....	Page 7
Electrical-Fan Group .....	Page 8
Coil Parts .....	Page 9
Compressor Group 18-36 .....	Page 10
Compressor Group 42-60 .....	Page 11
Compressor Group (757) .....	Page 12
Accessories .....	Page 13
<b>Drawings/Photographs</b>	
Exploded View .....	Page 14
Valve Mounting Assembly .....	Page 15
Control Box .....	Page 16
Notes/Disclaimer .....	Page 17

**MODEL NUMBER EXPLANATION**

<b>1</b>	<b>3</b>	<b>A</b>	<b>J</b>	<b>A</b>	<b>1</b>	<b>8</b>	<b>A</b>	<b>0</b>	<b>1</b>
1	2	3	4	5	6	7			

- |  |  |
|--|--|
| <p>(1) <b>SEER</b><br/>13 = SEER RATING</p> <p>(2) <b>MODEL</b><br/>A = Air Conditioner</p> <p>(3) <b>VOLTAGE</b><br/>J = 208-230/1/60</p> <p>(4) <b>DESIGN SERIES</b></p> | <p>(5) <b>COOLING CAPACITY (BTU/HR)</b><br/>18= 18,000<br/>24= 24,000<br/>30= 30,000<br/>36= 36,000<br/>42= 42,000<br/>48= 48,000<br/>60= 60,000</p> <p>(6) <b>CABINET</b><br/>A = Full Metal Jacket<br/>B = Corner Post/Mesh<br/>C = POE Compressor Oil</p> <p>(7) <b>NAMEPLATE</b></p> |
|--|--|

**SERIAL NUMBER EXPLANATION (Units Produced before Nov. 2013)**

<b>7</b>	<b>0</b>	<b>9</b>	<b>2</b>	<b>W</b>	<b>0</b>	<b>7</b>	<b>0</b>	<b>1</b>	<b>9</b>	<b>9</b>	<b>9</b>	<b>9</b>	<b>9</b>
1	2	3	4	5									

- (1) **COMPRESSOR IDENTIFICATION NUMBER**
- (2) **PRODUCTION LOCATION**
- (3) **WEEK OF PRODUCTION**
- (4) **YEAR OF PRODUCTION**
- (5) **PRODUCTION NUMBER**

**SERIAL NUMBER EXPLANATION (Units Produced after Nov. 2013)**

<b>W</b>	<b>0</b>	<b>8</b>	<b>1</b>	<b>3</b>	<b>9</b>	<b>9</b>	<b>9</b>	<b>9</b>
(1)	(2)	(3)	(4)					

- (1) **PLANT CODE**  
W = Nuevo Laredo (West)
- (2) **WEEK OF PRODUCTION**
- (3) **YEAR OF PRODUCTION**
- (4) **PRODUCTION NUMBER**

**Note: For Compressor Identification Number, see Compressor Code on Rating Plate**

No.	Notes	MODEL COOLING CAPACITY VARIATION	13AJA 18 A01/C01	13AJA 24 A01/C01	13AJA 30 A01/C01	13AJA 36 A01/C01
<b>SHEET METAL PARTS, MISCELLANEOUS (Granite/Steel Gray, After Date Code 4811)</b>						
1		Cabinet	AE-100726-81	AE-100726-81	AE-100726-82	AE-100726-83
2		Cabinet Panel	AE-100727-85	AE-100727-81	AE-100727-82	AE-100727-83
5		Base Pan	AE-100069-01	AE-100069-01	AE-100069-02	AE-101588-03
6		Control Box - 2 inch O.D. Capacitor	AE-100654-81	AE-100654-81	AE-100654-81	N/A
6		Control Box - 2-1/2 inch O.D. Capacitor	N/A	N/A	N/A	AE-100654-82
7		Control Box Cover	AE-100657-81	AE-100657-81	AE-100657-81	AE-100657-81
8		Top Panel	AE-100652-81	AE-100652-81	AE-100652-82	AE-100652-83
10		Grille	95-100906-01	95-100906-01	95-100906-03	95-100906-04
		Center Cap - Blank (for Grille)	91-101123-09	91-101123-09	91-101123-09	91-101123-09
14		Valve Mounting Panel	AE-57780-01	AE-57780-01	AE-57780-01	AE-57780-01
16		Service Valve - Suction	See Coil Group			
17		Service Valve - Liquid	See Coil Group			
19		Low Voltage Cover	AE-57756-01	AE-57756-01	AE-57756-01	AE-57756-01
		Touch-up Paint - Granite/Steel Gray (Aerosol)	PD523018	PD523018	PD523018	PD523018
		Touch-up Paint - Granite/Steel Gray (Paint Pens)	PD523019	PD523019	PD523019	PD523019

No.	Notes	MODEL COOLING CAPACITY VARIATION	13AJA 42 A01/C01	13AJA 48 A01/C01	13AJA 60 A01/C01	
<b>SHEET METAL PARTS, MISCELLANEOUS (Granite/Steel Gray, After Date Code 4811)</b>						
1		Cabinet	AE-100726-83	AE-100726-83	AE-100726-84	
2		Cabinet Panel	AE-100727-83	AE-100727-83	AE-100727-84	
5		Base Pan	AE-101588-03	AE-101588-03	AE-101588-03	
6		Control Box	AE-100654-82	AE-100654-82	AE-100654-84	
7		Control Box Cover	AE-100657-81	AE-100657-81	AE-100657-81	
8		Top Panel	AE-100652-83	AE-100652-83	AE-100652-83	
10		Grille	95-100906-04	95-100906-04	95-100906-04	
		Center Cap - Blank (for Grille)	91-101123-09	91-101123-09	91-101123-09	
14		Valve Mounting Panel	AE-57780-01	AE-57780-01	AE-100185-81	
16		Service Valve - Suction	See Coil Group			
17		Service Valve - Liquid	See Coil Group			
19		Low Voltage Cover	AE-57756-01	AE-57756-01	AE-57756-01	
		Touch-up Paint - Granite/Steel Gray (Aerosol)	PD523018	PD523018	PD523018	
		Touch-up Paint - Granite/Steel Gray (Paint Pens)	PD523019	PD523019	PD523019	

No.	Notes	MODEL COOLING CAPACITY VARIATION	13AJA 18 A01	13AJA 24 A01	13AJA 30 A01	13AJA 36 A01
<b>SHEET METAL PARTS, MISCELLANEOUS (Neutra Green, Date Code 1208 - 4811)</b>						
1		Cabinet	AE-100726-51	AE-100726-51	AE-100726-52	AE-100726-53
2		Cabinet Panel	AE-100727-55	AE-100727-51	AE-100727-52	AE-100727-53
5		Base Pan	AE-100069-01	AE-100069-01	AE-100069-02	AE-101588-03
6		Control Box - 2 inch O.D. Capacitor	AE-100654-51	AE-100654-51	AE-100654-51	AE-100654-51
6		Control Box - 2-1/2 inch O.D. Capacitor	N/A	N/A	N/A	AE-100654-52
7		Control Box Cover	AE-100657-51	AE-100657-51	AE-100657-51	AE-100657-51
8		Top Panel	AE-100652-51	AE-100652-51	AE-100652-52	AE-100652-53
10		Grille	95-100906-01	95-100906-01	95-100906-03	95-100906-04
		Center Cap - Blank (for Grille)	91-101123-09	91-101123-09	91-101123-09	91-101123-09
14		Valve Mounting Panel	AE-57780-01	AE-57780-01	AE-57780-01	AE-57780-01
16		Service Valve - Suction	See Coil Group			
17		Service Valve - Liquid	See Coil Group			
19		Low Voltage Cover	AE-57756-01	AE-57756-01	AE-57756-01	AE-57756-01
		Touch-up Paint - Green (Aerosol)	523010	523010	523010	523010
		Touch-up Paint - Green (Paint Pens)	52-18662-48	52-18662-48	52-18662-48	52-18662-48

No.	Notes	MODEL COOLING CAPACITY VARIATION	13AJA 42 A01	13AJA 48 A01	13AJA 48 A01	13AJA 60 A01
<b>SHEET METAL PARTS, MISCELLANEOUS (Neutra Green, Date Code 1208 - 4811)</b>						
1		Cabinet	AE-100726-53	AE-100726-53	AE-100726-53	AE-100726-54
2		Cabinet Panel	AE-100727-53	AE-100727-53	AE-100727-53	AE-100727-54
5		Base Pan	AE-101588-03	AE-101588-03	AE-101588-03	AE-101588-03
6		Control Box	AE-100654-52	AE-100654-52	AE-100654-52	AE-100654-54
7		Control Box Cover	AE-100657-51	AE-100657-51	AE-100657-51	AE-100657-51
8		Top Panel	AE-100652-53	AE-100652-53	AE-100652-53	AE-100652-53
10		Grille	95-100906-04	95-100906-04	95-100906-04	95-100906-04
		Center Cap - Blank (for Grille)	91-101123-09	91-101123-09	91-101123-09	91-101123-09
14		Valve Mounting Panel	AE-57780-01	AE-57780-01	AE-57780-01	AE-100185-51
16		Service Valve - Suction	See Coil Group			
17		Service Valve - Liquid	See Coil Group			
19		Low Voltage Cover	AE-57756-01	AE-57756-01	AE-57756-01	AE-57756-01
		Touch-up Paint - Green (Aerosol)	523010	523010	523010	523010
		Touch-up Paint - Green (Paint Pens)	52-18662-48	52-18662-48	52-18662-48	52-18662-48

No.	Notes	MODEL COOLING CAPACITY VARIATION	13AJA 18 A01	13AJA 18 B01	13AJA 24 A01	13AJA 24 B01
<b>SHEET METAL PARTS, MISCELLANEOUS (ICECO Gray, Before Date Code 1208)</b>						
1		Cabinet	AE-100726-01	N/A	AE-100726-01	N/A
2		Cabinet Panel	AE-100727-05	N/A	AE-100727-01	N/A
3		Mesh	N/A	95-100910-02	N/A	95-100910-03
4		Corner Post	N/A	AE-100628-04 (2)	N/A	AE-100628-04 (3)
5		Base Pan	AE-100069-01	AE-100069-01	AE-100069-01	AE-100069-01
6		Control Box	AE-100654-01	AE-100654-01	AE-100654-01	AE-100654-01
7		Control Box Cover	AE-100657-01	AE-100657-01	AE-100657-01	AE-100657-01
8		Top Panel	AE-100652-01	AE-100652-01	AE-100652-01	AE-100652-01
10		Grille	95-100906-01	95-100906-01	95-100906-01	95-100906-01
		Center Cap - Blank (for Grille)	91-101123-09	91-101123-09	91-101123-09	91-101123-09
14		Valve Mounting Panel	AE-57780-01	AE-57780-01	AE-57780-01	AE-57780-01
16		Service Valve - Suction	See Coil Group			
17		Service Valve - Liquid	See Coil Group			
19		Low Voltage Cover	AE-57756-01	AE-57756-01	AE-57756-01	AE-57756-01
		Touch-up Paint - ICECO Gray (Aerosol)	523009	523009	523009	523009
		Touch-up Paint - ICECO Gray (Paint Pens)	523011	523011	523011	523011

No.	Notes	MODEL COOLING CAPACITY VARIATION	13AJA 30 A01	13AJA 30 B01	13AJA 36 A01	13AJA 36 B01
<b>SHEET METAL PARTS, MISCELLANEOUS (ICECO Gray, Before Date Code 1208)</b>						
1		Cabinet	AE-100726-02	N/A	AE-100726-03	N/A
2		Cabinet Panel	AE-100727-02	N/A	AE-100727-03	N/A
3		Mesh	N/A	95-100910-04	N/A	95-100910-05
4		Corner Post (3)	N/A	AE-100628-04	N/A	AE-100628-04
5		Base Pan - Before Date Code 1207	AE-100069-02	AE-100069-02	AS-100058-03	AS-100058-03
5		Base Pan - After Date Code 1207	AE-100069-02	N/A	AE-101588-03	N/A
6		Control Box	AE-100654-01	AE-100654-01	AE-100654-01	AE-100654-02
7		Control Box Cover	AE-100657-01	AE-100657-01	AE-100657-01	AE-100657-01
8		Top Panel - (Before Date Code 1207)	AE-100652-02	AE-100652-02	AE-100652-04	AE-100652-04
8		Top Panel - (Date Code 1207 - 1208)	AE-100652-02	N/A	AE-100652-03	N/A
10		Grille - Before Date Code 1207	95-100906-03	95-100906-03	95-100905-02	95-100905-02
10		Grille - After Date Code 1207	95-100906-03	95-100906-03	95-100906-04	95-100905-02
		Center Cap - Blank (for Grille)	91-101123-09	91-101123-09	91-101123-09	91-101123-09
14		Valve Mounting Panel	AE-57780-01	AE-57780-01	AE-57780-01	AE-57780-01
16		Service Valve - Suction	See Coil Group			
17		Service Valve - Liquid	See Coil Group			
19		Low Voltage Cover	AE-57756-01	AE-57756-01	AE-57756-01	AE-57756-01
		Touch-up Paint - ICECO Gray (Aerosol)	523009	523009	523009	523009
		Touch-up Paint - ICECO Gray (Paint Pens)	523011	523011	523011	523011

No.	Notes	MODEL COOLING CAPACITY VARIATION	13AJA 42 A01	13AJA 42 B01	13AJA 48 A01	13AJA 48 B01
<b>SHEET METAL PARTS, MISCELLANEOUS (ICECO Gray, Before Date Code 1208)</b>						
1		Cabinet	AE-100726-03	N/A	AE-100726-03	N/A
2		Cabinet Panel	AE-100727-03	N/A	AE-100727-03	N/A
3		Mesh	N/A	95-100910-05	N/A	95-100910-05
4		Corner Post (3)	N/A	AE-100628-04	N/A	AE-100628-04
5		Base Pan - Before Date Code 1207	AS-100058-03	AS-100058-03	AS-100058-03	AS-100058-03
5		Base Pan - After Date Code 1207	AE-101588-03	N/A	AE-101588-03	N/A
6		Control Box	AE-100654-02	AE-100654-02	AE-100654-02	AE-100654-02
7		Control Box Cover	AE-100657-01	AE-100657-01	AE-100657-01	AE-100657-01
8		Top Panel - (Before Date Code 1207)	AE-100652-04	AE-100652-04	AE-100652-04	AE-100652-04
8		Top Panel - (Date Code 1207 - 1208)	AE-100652-03	N/A	AE-100652-03	N/A
10		Grille - Before Date Code 1207	95-100905-02	95-100905-02	95-100905-02	95-100905-02
10		Grille - After Date Code 1207	95-100906-04	95-100905-02	95-100906-04	95-100905-02
		Center Cap - Blank (for Grille)	91-101123-09	91-101123-09	91-101123-09	91-101123-09
14		Valve Mounting Panel	AE-57780-01	AE-57780-01	AE-57780-01	AE-57780-01
16		Service Valve - Suction	See Coil Group			
17		Service Valve - Liquid	See Coil Group			
19		Low Voltage Cover	AE-57756-01	AE-57756-01	AE-57756-01	AE-57756-01
		Touch-up Paint - ICECO Gray (Aerosol)	523009	523009	523009	523009
		Touch-up Paint - ICECO Gray (Paint Pens)	523011	523011	523011	523011

No.	Notes	MODEL COOLING CAPACITY VARIATION	13AJA 60 A01	13AJA 60 B01		
<b>SHEET METAL PARTS, MISCELLANEOUS (ICECO Gray, Before Date Code 1208)</b>						
1		Cabinet	AE-100726-04	N/A		
2		Cabinet Panel	AE-100727-04	N/A		
3		Mesh	N/A	95-100910-05		
4		Corner Post (3)	N/A	AE-100628-06		
5		Base Pan - Before Date Code 1207	AS-100058-03	AS-100058-03		
5		Base Pan - After Date Code 1207	AE-101588-03	N/A		
6		Control Box	AE-100654-04	AE-100654-04		
7		Control Box Cover	AE-100657-01	AE-100657-01		
8		Top Panel - (Before Date Code 1207)	AE-100652-04	AE-100652-04		
8		Top Panel - (Date Code 1207 - 1208)	AE-100652-03	N/A		
10		Grille - Before Date Code 1207	95-100905-02	95-100905-02		
10		Grille - After Date Code 1207	95-100906-04	95-100905-02		
		Center Cap - Blank (for Grille)	91-101123-09	91-101123-09		
14		Valve Mounting Panel	AE-100185-01	AE-100185-01		
16		Service Valve - Suction	See Coil Group			
17		Service Valve - Liquid	See Coil Group			
19		Low Voltage Cover	AE-57756-01	AE-57756-01		
		Touch-up Paint - ICECO Gray (Aerosol)	523009	523009		
		Touch-up Paint - ICECO Gray (Paint Pens)	523011	523011		

No.	Notes	MODEL COOLING CAPACITY VARIATION	13AJA 18 A01/C01	13AJA 18 B01	13AJA 24 A01/C01	13AJA 24 B01
<b>ELECTRICAL/FAN GROUP</b>						
9	Stk	Fan Motor - Before Date Code 2112	51-102008-01	51-102008-01	51-101774-04	51-101774-04
9	Stk	Fan Motor - After Date Code 2112	51-102008-01	51-102008-01	51-101774-20	51-101774-04
11	Stk	Fan Blade - Before Date Code 2112	70-102011-01	70-102011-01	70-102011-05	70-102011-05
11	Stk	Fan Blade - After Date Code 2112	70-102011-01	70-102011-01	70-102011-21	70-102011-05
18	Stk	Contactora	42-42139-05	42-42139-05	42-42139-05	42-42139-05
19		Low Voltage Cover	See Panels - Miscellaneous			
20		Control Box Bottom	AE-100655-01	AE-100655-01	AE-100655-01	AE-100655-01
21		Capacitor - Compressor/Fan	See Compressor Group			

No.	Notes	MODEL COOLING CAPACITY VARIATION	13AJA 30 A01/C01	13AJA 30 B01	13AJA 36 A01/C01	13AJA 36 B01
<b>ELECTRICAL/FAN GROUP</b>						
9	Stk	Fan Motor	51-101774-02	51-101774-02	51-101774-02	51-101774-02
11	Stk,1	Fan Blade - See Note 1	70-100580-02	70-100580-02	70-100580-03	70-100580-03
11	1	Fan Blade - See Note 1	N/A	N/A	70-102011-03	70-102011-03
18	Stk	Contactora	42-42139-05	42-42139-05	42-42139-05	42-42139-05
19		Low Voltage Cover	See Panels - Miscellaneous			
20		Control Box Bottom	AE-100655-01	AE-100655-01	AE-100655-01	AE-100655-01
21		Capacitor - Compressor/Fan	See Compressor Group			

No.	Notes	MODEL COOLING CAPACITY VARIATION	13AJA 42 A01/C01	13AJA 42 B01	13AJA 48 A01/C01	13AJA 48 B01
<b>ELECTRICAL/FAN GROUP</b>						
9	Stk	Fan Motor	51-101774-02	51-101774-02	51-102008-03	51-102008-03
11	Stk,1	Fan Blade - See Note 1	70-100580-03	70-100580-03	70-100580-04	70-100580-04
11	1	Fan Blade - See Note 1	70-102011-03	70-102011-03	70-102011-04	70-102011-04
18	Stk	Contactora	42-42139-05	42-42139-05	42-42139-05	42-42139-05
19		Low Voltage Cover	See Panels - Miscellaneous			
20		Control Box Bottom	AE-100655-01	AE-100655-01	AE-100655-01	AE-100655-01
21		Capacitor - Compressor/Fan	See Compressor Group			

No.	Notes	MODEL COOLING CAPACITY VARIATION	13AJA 60 A01/C01	13AJA 60 B01		
<b>ELECTRICAL/FAN GROUP</b>						
9	Stk	Fan Motor	51-102008-03	51-102008-03		
11	Stk,1	Fan Blade - See Note 1	70-100580-04	70-100580-04		
11	1	Fan Blade - See Note 1	70-102011-04	70-102011-04		
18	Stk	Contactora	42-42478-02	42-42478-02		
19		Low Voltage Cover	See Panels - Miscellaneous			
20		Control Box Bottom	AE-100655-01	AE-100655-01		
21		Capacitor - Compressor/Fan	See Compressor Group			



No.	Notes	MODEL COOLING CAPACITY VARIATION	13AJA 18 A01/C01	13AJA 18 B01	13AJA 24 A01/C01	13AJA 24 B01
<b>COIL GROUP</b>						
13	Stk	Condenser Coil	AS-101758-03	AS-101758-03	AS-101759-03	AS-101759-03
		Distributor - Two Way (1/2 in. to 3/8 in.)	83-19988-01	83-19988-01	83-19988-01	83-19988-01
15		Valve Mounting Bracket	AE-57781-01	AE-57781-01	AE-57781-01	AE-57781-01
16		Service Valve - Suction	61-21368-07	61-21368-07	61-21368-07	61-21368-07
17		Service Valve - Liquid	61-21368-05	61-21368-05	61-21368-05	61-21368-05
	Stk	Filter Drier	83-26186-02	83-26186-02	83-26186-02	83-26186-02

No.	Notes	MODEL COOLING CAPACITY VARIATION	13AJA 30 A01/C01	13AJA 30 B01	13AJA 36 A01/C01	13AJA 36 B01
<b>COIL GROUP</b>						
13	Stk	Condenser Coil	AS-101844-03	AS-101844-03	AS-101761-03	AS-101761-03
		Distributor - Three Way (3/8 in. to 3/8 in.)	83-17467-07	83-17467-07	83-17467-07	83-17467-07
		Distributor - Three Way (1/2 in. to 3/8 in.)	83-17467-06	83-17467-06	83-17467-06	83-17467-06
15		Valve Mounting Bracket	AE-57781-01	AE-57781-01	AE-57781-02	AE-57781-02
16		Service Valve - Suction (Before Date Code 0406)	61-21368-07	61-21368-07	61-21368-08	61-21368-08
16		Service Valve - Suction (After Date Code 0406)	61-21368-07	61-21368-07	61-21368-22	61-21368-22
17		Service Valve - Liquid	61-21368-05	61-21368-05	61-21368-05	61-21368-05
	Stk	Filter Drier	83-26186-02	83-26186-02	83-26186-02	83-26186-02

No.	Notes	MODEL COOLING CAPACITY VARIATION	13AJA 42 A01/C01	13AJA 42 B01	13AJA 48 A01/C01	13AJA 48 B01
<b>COIL GROUP</b>						
13	Stk	Condenser Coil	AS-101761-03	AS-101761-03	AS-101761-03	AS-101761-03
		Distributor - Three Way (3/8 in. to 3/8 in.)	83-17467-07	83-17467-07	83-17467-07	83-17467-07
		Distributor - Three Way (1/2 in. to 3/8 in.)	83-17467-06	83-17467-06	83-17467-06	83-17467-06
15		Valve Mounting Bracket	AE-57781-02	AE-57781-02	AE-57781-02	AE-57781-02
16		Service Valve - Suction (Before Date Code 0406)	61-21368-08	61-21368-08	61-21368-08	61-21368-08
16		Service Valve - Suction (After Date Code 0406)	61-21368-22	61-21368-22	61-21368-22	61-21368-22
17		Service Valve - Liquid	61-21368-05	61-21368-05	61-21368-05	61-21368-05
	Stk	Filter Drier	83-26186-02	83-26186-02	83-26186-02	83-26186-02

No.	Notes	MODEL COOLING CAPACITY VARIATION	13AJA 60 A01/C01	13AJA 60 B01		
<b>COIL GROUP</b>						
13	Stk	Condenser Coil	AS-101763-03	AS-101763-03		
15		Valve Mounting Bracket	AE-57781-02	AE-57781-02		
16		Service Valve - Suction	61-21368-08	61-21368-08		
17		Service Valve - Liquid	61-21368-05	61-21368-05		
	Stk	Filter Drier	83-26186-02	83-26186-02		

No.	Notes	MODEL COOLING CAPACITY VARIATION	13AJA 18 A01	13AJA 18 B01	13AJA 24 A01	13AJA 24 B01
<b>COMPRESSOR GROUP</b>						
<b>IMPORTANT NOTE: Replacement Compressors MUST be selected using the Compressor ID from the unit's Serial Number. Do not interchange compressors from other Compressor ID's used on the model. See Note 2 and cross-references below for information regarding retrofit of Bristol reciprocating compressors with Copeland scroll compressors.</b>						
		<b>Compressor ID:</b>	<b>7276</b>	<b>7276</b>	<b>7402</b>	<b>7402</b>
12	2	Original Compressor - See Note 2	55-101545-05S	55-101545-05S	55-101545-17	55-101545-17
12	Stk,2	Replacement Compressor (Retrofit Kit Required) - See Note 2	55-100835-30S	55-100835-30S	55-100835-07S	55-100835-07S
	Stk,2	Retrofit Kit - See Note 2	831001	831001	831001	831001
		Muffler/Check Valve	83-101828-01	83-101828-01	83-101828-01	83-101828-01
21		Capacitor - Compressor/Fan	43-26261-04	43-26261-04	43-101665-44	43-101665-44
		<b>Compressor ID:</b>	<b>7401</b>	<b>7401</b>	<b>7729</b>	
12	2	Original Compressor - See Note 2	55-101545-16	55-101545-16	55-101545-28S	
12	Stk,2	Replacement Compressor (Retrofit Kit Required) - See Note 2	55-100835-30S	55-100835-30S	55-100835-07S	
	Stk,2	Retrofit Kit - See Note 2	831001	831001	831001	
	Stk,2	Check Valve	N/A	N/A	83-102440-01	
		Muffler/Check Valve	83-101828-01	83-101828-01	N/A	
21		Capacitor - Compressor/Fan	43-26261-04	43-26261-04	43-101665-44	
		<b>Compressor ID:</b>	<b>7728</b>		<b>7277</b>	<b>7277</b>
12	2	Original Compressor - See Note 2	55-101545-26S		55-101545-06S	55-101545-06S
12	Stk,2	Replacement Compressor (Retrofit Kit Required) - See Note 2	55-100835-30S		55-100835-07S	55-100835-07S
	Stk,2	Retrofit Kit - See Note 2	831001		831001	831001
		Check Valve	83-102440-01		N/A	N/A
		Muffler/Check Valve	N/A		83-101828-01	83-101828-01
21		Capacitor - Compressor/Fan	43-26261-04		43-101665-44	43-101665-44
		<b>Compressor ID:</b>	<b>7652</b>		<b>7653</b>	
12	Stk	Compressor	55-100835-30S		55-100835-07S	
21	Stk	Capacitor - Compressor/Fan	43-26261-03		43-101665-44	
	Stk	Compressor Wiring Harness (Molded Plug)	45-100834-80		45-100834-80	

No.	Notes	MODEL COOLING CAPACITY VARIATION	13AJA 30 A01	13AJA 30 B01	13AJA 36 A01	13AJA 36 B01
<b>COMPRESSOR GROUP</b>						
<b>IMPORTANT NOTE: Replacement Compressors MUST be selected using the Compressor ID from the unit's Serial Number. Do not interchange compressors from other Compressor ID's used on the model. See Note 2 and cross-references below for information regarding retrofit of Bristol reciprocating compressors with Copeland scroll compressors.</b>						
		<b>Compressor ID:</b>	<b>7278</b>	<b>7278</b>	<b>7404</b>	<b>7404</b>
12	2	Original Compressor - See Note 2	55-101545-07S	55-101545-07S	55-101545-19S	55-101545-19S
12	Stk,2	Replacement Compressor (Retrofit Kit Required) - See Note 2	55-100835-17S	55-100835-17S	55-100835-25S	55-100835-25S
	Stk,2	Retrofit Kit - See Note 2	831002	831002	831003	831003
		Muffler/Check Valve	83-101828-01	83-101828-01	83-101828-01	83-101828-01
21		Capacitor - Compressor/Fan	43-101665-44	43-101665-44	43-26261-09	43-23204-26
		<b>Compressor ID:</b>	<b>7403</b>	<b>7403</b>	<b>7279</b>	<b>7279</b>
12	2	Original Compressor - See Note 2	55-101545-18	55-101545-18	55-101545-08S	55-101545-08S
	Stk,2	Replacement Compressor (Retrofit Kit Required) - See Note 2	55-100835-17S	55-100835-17S	55-100835-25S	55-100835-25S
	Stk,2	Retrofit Kit - See Note 2	831002	831002	831003	831003
		Muffler/Check Valve	83-101828-01	83-101828-01	83-101828-01	83-101828-01
21		Capacitor - Compressor/Fan	43-101665-44	43-101665-44	43-26261-26	43-26261-09
		<b>Compressor ID:</b>			<b>7675</b>	
12	2	Original Compressor - See Note 2			55-101545-19S	
12	Stk,2	Replacement Compressor (Retrofit Kit Required) - See Note 2			55-100835-25S	
	Stk,2	Retrofit Kit - See Note 2			831003	
		Muffler/Check Valve			83-101828-01	
21		Capacitor - Compressor/Fan			43-26261-09	
		Compressor Wiring Harness (Molded Plug)			N/A	
		<b>Compressor ID:</b>	<b>7654</b>		<b>7655</b>	
12	Stk	Compressor	55-100835-17S		55-100835-25S	
21	Stk	Capacitor - Compressor/Fan	43-26271-41		43-26261-15	
	Stk	Compressor Wiring Harness (Molded Plug)	45-100834-80		45-100834-80	

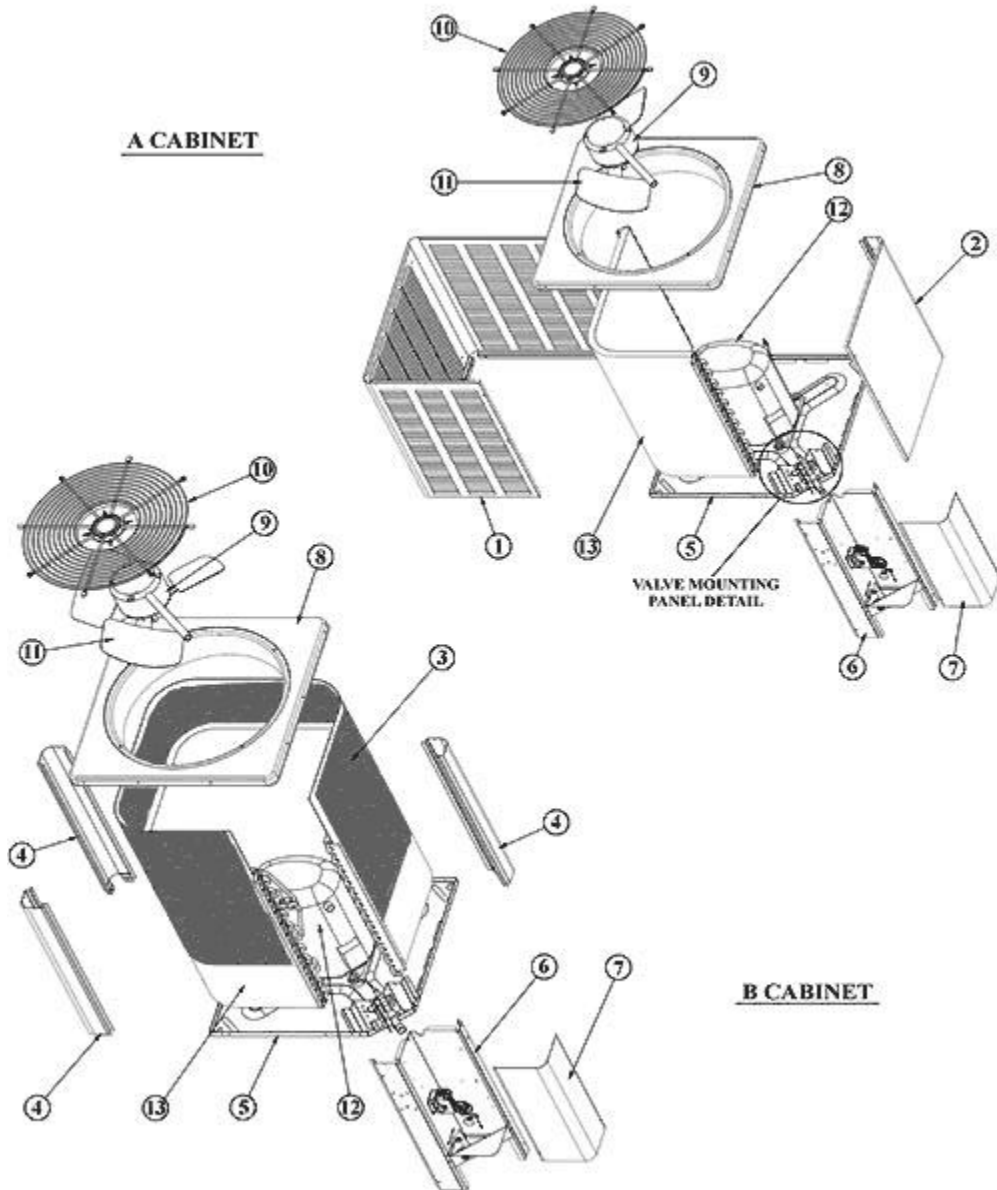
No.	Notes	MODEL COOLING CAPACITY VARIATION	13AJA 42 A01	13AJA 42 B01		
<b>COMPRESSOR GROUP</b>						
<b>IMPORTANT NOTE: Replacement Compressors MUST be selected using the Compressor ID from the unit's Serial Number. Do not interchange compressors from other Compressor ID's used on the model. See Note 2 and cross-references below for information regarding retrofit with Copeland scroll compressors.</b>						
		<b>Compressor ID:</b>	<b>7676 / 7280</b>	<b>7280</b>		
12	2	Original Compressor - See Note 2	55-101545-15S	55-101545-15S		
12	Stk,2	Replacement Compressor (Retrofit Kit Required) - See Note 2	55-100835-10S	55-100835-10S		
	Stk,2	Retrofit Kit - See Note 2	831005	831005		
21		Capacitor - Compressor/Fan	43-26261-17	43-26261-17		
		<b>Compressor ID:</b>	<b>7656</b>			
12	Stk	Compressor	55-100835-10S			
21	Stk	Capacitor - Compressor/Fan	43-26261-17			
	Stk	Compressor Wiring Harness (Molded Plug)	45-100834-80			
		<b>Compressor ID:</b>	<b>8345</b>			
12	Stk	Compressor	55-102045-71S			
21	Stk	Capacitor - Compressor/Fan	43-101665-17			
	Stk	Compressor Wiring Harness (Molded Plug)	45-100834-80			

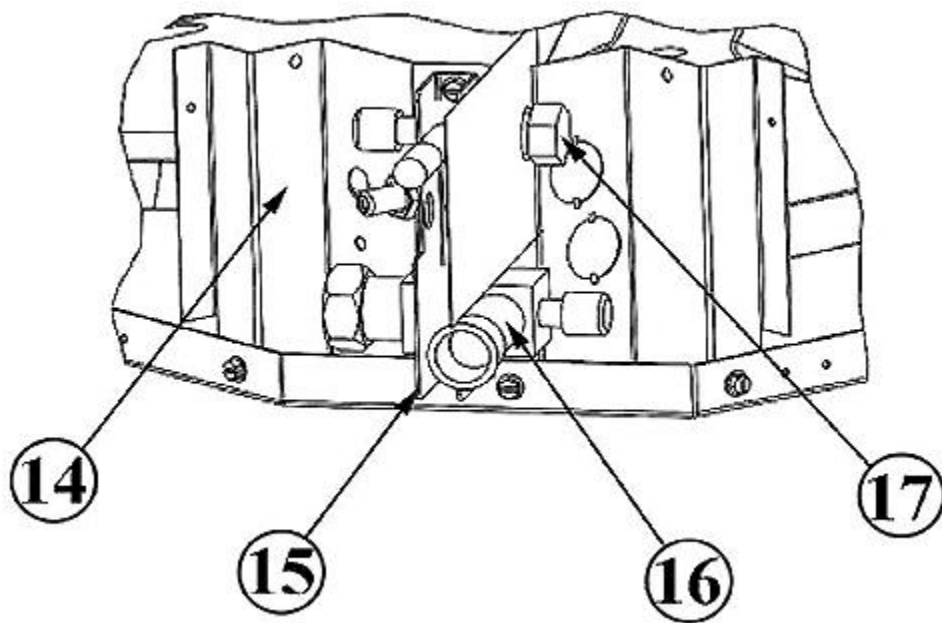
No.	Notes	MODEL COOLING CAPACITY VARIATION	13AJA 48 A01	13AJA 48 B01	13AJA 60 A01	13AJA 60 B01
<b>COMPRESSOR GROUP</b>						
<b>IMPORTANT NOTE: Replacement Compressors MUST be selected using the Compressor ID from the unit's Serial Number. Do not interchange compressors from other Compressor ID's used on the model.</b>						
		<b>Compressor ID:</b>	<b>7677 / 7281</b>	<b>7281</b>	<b>7678 / 7282</b>	<b>7282</b>
12	Stk	Compressor	55-23148-35S	55-23148-35S	55-23148-37S	55-23148-37S
21	Stk	Capacitor - Compressor/Fan	43-26271-39	43-26271-39	43-26271-47	43-26271-47
		<b>Compressor ID:</b>	<b>7657</b>		<b>7658</b>	
12	Stk	Compressor	55-100835-53S		55-100835-18S	
21	Stk	Capacitor - Compressor/Fan	43-26261-38		43-26261-30	
	Stk	Compressor Wiring Harness (Molded Plug)	45-100834-80		45-100834-80	
		<b>Compressor ID:</b>	<b>8346</b>		<b>8347</b>	
12	Stk	Compressor	55-102045-72S		55-102045-73S	
21	Stk	Capacitor - Compressor/Fan	43-101665-38		43-101665-30	
	Stk	Compressor Wiring Harness (Molded Plug)	45-100834-80		45-100834-80	

No.	Notes	MODEL COOLING CAPACITY VARIATION	13AJA 18 A01/C01	13AJA 24 A01/C01	13AJA 30 A01/C01	13AJA 36 A01/C01
<b>COMPRESSOR GROUP</b>						
		<b>Compressor ID:</b>	<b>8341</b>	<b>8342</b>	<b>8343</b>	<b>8344</b>
12	Stk	Compressor	55-102045-67S	55-102045-68S	55-102045-69S	55-102045-70S
21	Stk	Capacitor - Compressor/Fan	43-101665-03	43-101665-44	43-101665-41	43-101665-15
	Stk	Compressor Wiring Harness (Molded Plug)	45-100834-80	45-100834-80	45-100834-80	45-100834-80
		<b>Compressor ID:</b>	<b>8935</b>	<b>8936</b>	<b>8937</b>	<b>8938</b>
12	Stk	Compressor	55-102045-59S	55-102045-60S	55-102045-107S	55-102045-62S
21	Stk	Capacitor - Compressor/Fan	43-101665-03	43-101665-44	43-101665-41	43-101665-15
	Stk	Compressor Wiring Harness (Molded Plug)	45-100834-80	45-100834-80	45-100834-80	45-100834-80

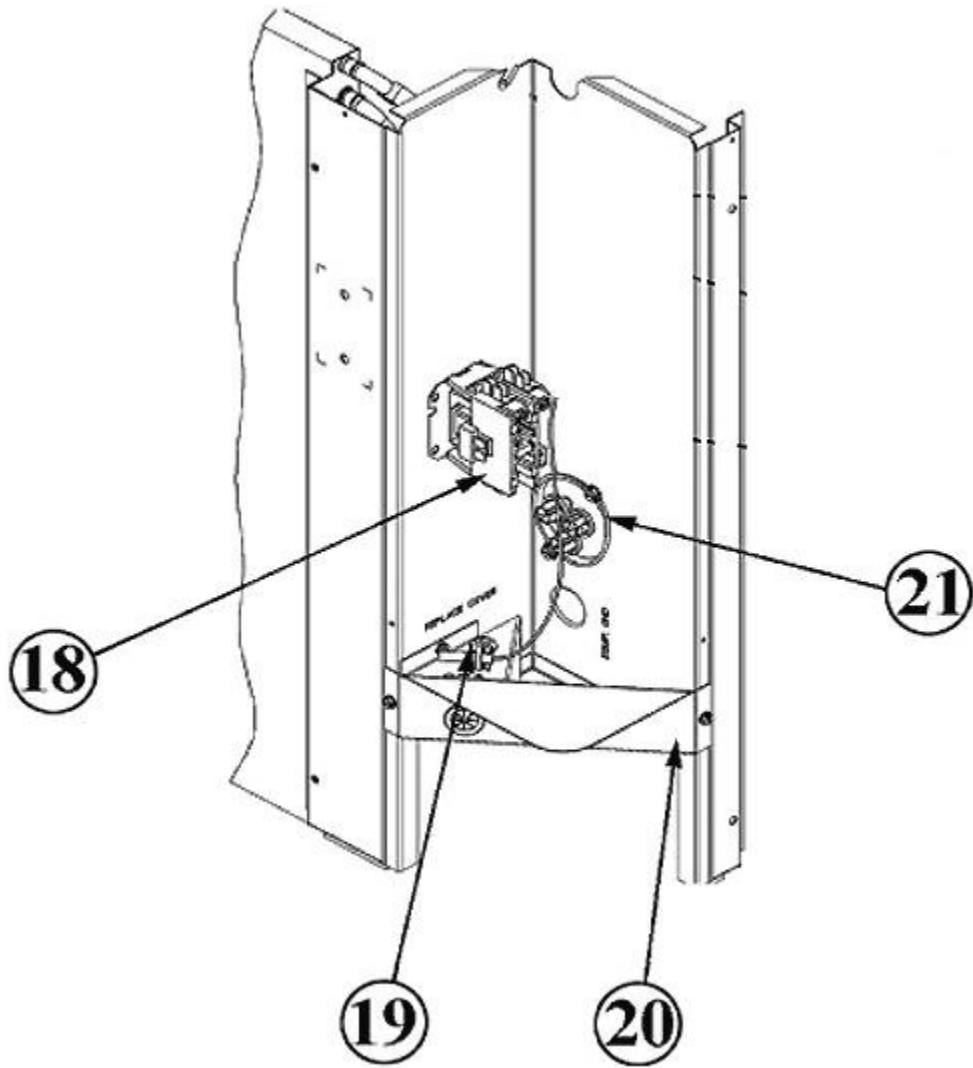
No.	Notes	MODEL COOLING CAPACITY VARIATION	13AJA 42 A01/C01	13AJA 48 A01/C01	13AJA 60 A01/C01	
<b>COMPRESSOR GROUP</b>						
		<b>Compressor ID:</b>	<b>8345</b>	<b>8346</b>	<b>8347</b>	
12	Stk	Compressor	55-102045-71S	55-102045-72S	55-102045-73S	
21	Stk	Capacitor - Compressor/Fan	43-101665-17	43-101665-38	43-101665-30	
	Stk	Compressor Wiring Harness (Molded Plug)	45-100834-80	45-100834-80	45-100834-80	
		<b>Compressor ID:</b>	<b>8939</b>	<b>8940</b>	<b>8941</b>	
12	Stk	Compressor	55-102045-63S	55-102045-64S	55-102045-114S	
21	Stk	Capacitor - Compressor/Fan	43-101665-17	43-101665-38	43-101665-30	
	Stk	Compressor Wiring Harness (Molded Plug)	45-100834-80	45-100834-80	45-100834-80	

No.	Notes	MODEL COOLING CAPACITY VARIATION	13AJA ALL ALL
<b>ACCESORIES</b>			
		Low Ambient Control	RXAD-A04
		Compressor Time Delay Control	RXMD-B01
		High Pressure Control	RXAB-A03
		Low Pressure Control	RXAC-A03





Valve Mounting Assembly



Control Box



# NOTES

Stk It is recommended that stock be maintained for this part.

N/A Not Applicable

- 1 70-100580-03 / 70-100580-04 is a 3-blade design, and 70-102011-03 / 70-102011-04 / 70-102011-10 is a 2-blade design. The replacement fan blades are interchangeable on the listed units, and either may be used for replacement.
- 2 This compressor should be replaced with the designated Copleland scroll (55-100835 series) and the specified Retrofit Kit. USE OF THE RETROFIT KIT IS REQUIRED WHEN PERFORMING THIS REPLACEMENT. Failure to use the kit will greatly increase the likelihood of future compressor failure and will void the compressor warranty.

**DISCLAIMER:** This document is intended to provide general replacement parts information to aid qualified service personnel in the repair of these models. The complete Model and Serial Number of the unit under repair should be specified when selecting and ordering replacement parts. Specifications and illustrations are subject to change without notice. Document 92-42805-13AJA supersedes all previous parts lists for these models. See <http://www.rheempartslists.net/92-42805-13AJA> for the latest revision of this document. The manufacturer assumes no obligation for errors or omissions. Service personnel must verify the proper and safe operation of equipment after the replacement of any original components.