



# GEN16AD-E-GEN20AD-E

Parts List  
14-October-2014



*This parts list is current as of the above revision date.*

See <http://www.rheempartslists.net/92-42800-GEN16AD-E-GEN20AD-E.pdf> for the current revision.

**Standby Generators**

# Table of Contents

Model Explanation.....	Page 3
<b>Parts Numbers</b>	
General Assembly (1).....	Page 4
General Assembly (2).....	Page 5
Enclosure Parts .....	Page 6
Control Panel.....	Page 7
Alternator Parts.....	Page 8
<b>Drawings/Photographs</b>	
General Assembly Drawing .....	Page 9
Control Panel Drawing .....	Page 10
Enclosure Parts Drawing.....	Page 11
Alternator Parts Drawing.....	Page 12
Notes/Disclaimer .....	Page 13

**MODEL NUMBER EXPLANATION**

<b>G</b>	<b>E</b>	<b>N</b>	<b>1</b>	<b>6</b>	<b>A</b>	<b>D</b>	<b>-</b>	<b>E</b>
(1)			(2)		(3)	(4)		5

- (1) **PRODUCT TYPE**  
GEN = Standby Generator
  
- (2) **OUTPUT CAPACITY**  
10 = 10,000 kW  
12 = 12,000 kW  
15 = 15,000 kW  
18 - 18,000 kW  
20 = 20,000 kW  
27 = 27,000 kW  
30 = 30,000 kW  
42 = 42,000 kW  
45 = 45,000 kW
  
- (3) **ENGINE COOLING**  
A = Air Cooled  
W = Water Cooled
  
- (4) **FUEL TYPE**  
D = LP or Natural Gas (Selectable in Field)  
L = LP  
N = Natural Gas
  
- (5) **(E) = VARIATION**

No.	Notes	MODEL OUTPUT CAPACITY ENGINE COOLING/FUEL TYPE	GEN 16 AD-E	GEN 20 AD-E
<b>GENERAL ASSEMBLY PARTS</b>				
1		Base	CALL	CALL
2		Bracket	CALL	CALL
3		Vibration Mount	187594GS	187594GS
4	1	Hex Head Capscrew, 5/16-18 x 2-1/2	N/A	N/A
5		Screw	CALL	CALL
6	1	Flat Washer, M8	N/A	N/A
7	1	Lock Washer, M8	N/A	N/A
8	1	Nut, 5/16-18	N/A	N/A
9	1	Flat Washer, M10	N/A	N/A
10	1	Lock Washer, 3/8	N/A	N/A
11	1	Hex Head Capscrew, 3/8-16 x 1	N/A	N/A
12	1	Hex Head Capscrew, 5/16-18 x 3/4	N/A	N/A
13		Harness	CALL	CALL
14		Ground Relay Wire	CALL	CALL
15		Duct	CALL	CALL
16	1	Screw, M5-0.8 x 10	N/A	N/A
17		Bolt	CALL	CALL
18		Bracket	CALL	CALL
19		Ground Wire	CALL	CALL
20	Stk	Temperature Switch	204426GS	204426GS
21		Hex Head Capscrew, M6-1.0 x 16	CALL	CALL
22	1	Lock Washer, 1/4	N/A	N/A
23		Switch Plate	CALL	CALL
24	1	Shakeproof Washer, #4	N/A	N/A
25		Screw	CALL	CALL
26	Stk	Oil Drain Hose	1723165SM	1723165SM
27		Wiring Harness	CALL	CALL
28		Decal Sheet, Warnings	CALL	CALL
29		Screw	CALL	CALL
30		Stepper Motor	CALL	CALL
31		Bracket	CALL	CALL
32	1	Hex Head Capscrew, M3-0.5 x 6	N/A	N/A
33		Link Arm	CALL	CALL
34		Rod	CALL	CALL
35	1	Hex Head Capscrew, M3-0.5 x 8	N/A	N/A
36		Wiring Harness	CALL	CALL
37		Seal	CALL	CALL
38		Snorkel	CALL	CALL
39		Battery Ground Wire	CALL	CALL
40		Muffler	CALL	CALL
41		Gasket	809872	809872
42		Clevis	CALL	CALL
43	1	Screw, M8 x 25	N/A	N/A
44		Screw	CALL	CALL
45		Engine Adapter	195235GS	195235GS
46		Elbow	CALL	CALL
47		Fitting	CALL	CALL
48	Stk	Starter Solenoid	691656	691656
49		Fitting	CALL	CALL
50	Stk	Solenoid	318880GS	318880GS

No.	Notes	MODEL OUTPUT CAPACITY ENGINE COOLING/FUEL TYPE	GEN 16 AD-E	GEN 20 AD-E
<b>GENERAL ASSEMBLY PARTS</b>				
51		Tube	CALL	CALL
52		Barb Fitting	CALL	CALL
53		LP/NG Switch Valve	See item 65	
54	1	Hex Head Capscrew, M6-1.0 x 30	N/A	N/A
55	Stk	Regulator	845046GS	845046GS
56		Fitting	CALL	CALL
57	1	Nut, 1/4-20	N/A	N/A
58	1	Hex Nut, M6-1	N/A	N/A
59		Decal Sheet, Warnings	CALL	CALL
60		Fuse Assembly	CALL	CALL
65		Fuel Regulator Assembly (Includes Ref. Nos. 18, 22, 46, 47, 49, 52, 53, 54, 55, 56 & 58)	PD703877	PD703877
900	2	Engine	N/A	N/A

No.	Notes	MODEL OUTPUT CAPACITY ENGINE COOLING/FUEL TYPE	GEN 16 AD-E	GEN 20 AD-E
<b>GENERAL ASSEMBLY PARTS - NOT ILLUSTRATED</b>				
		Manual, Install	CALL	CALL
		Manual, Operator	CALL	CALL
		Kit, Manual, Acc.	CALL	CALL
		Kit, Hardware	CALL	CALL
	Stk	Flex Hose	311713GS	311713GS
		BSC Monitor	316197GS	316197GS
		Antenna	316198GS	316198GS
		Hang Tag, Attn. Standby Equipment	CALL	CALL

No.	Notes	MODEL OUTPUT CAPACITY ENGINE COOLING/FUEL TYPE	GEN 16 AD-E	GEN 20 AD-E
<b>OPTIONAL ACCESSORIES - NOT ILLUSTRATED</b>				
		Battery Warmer	CALL	CALL
		Paint, Touchup, Rheem Grey	CALL	CALL
		Kit, Maintenance	CALL	CALL
	Stk	Kit, Cold Weather	6231	6231

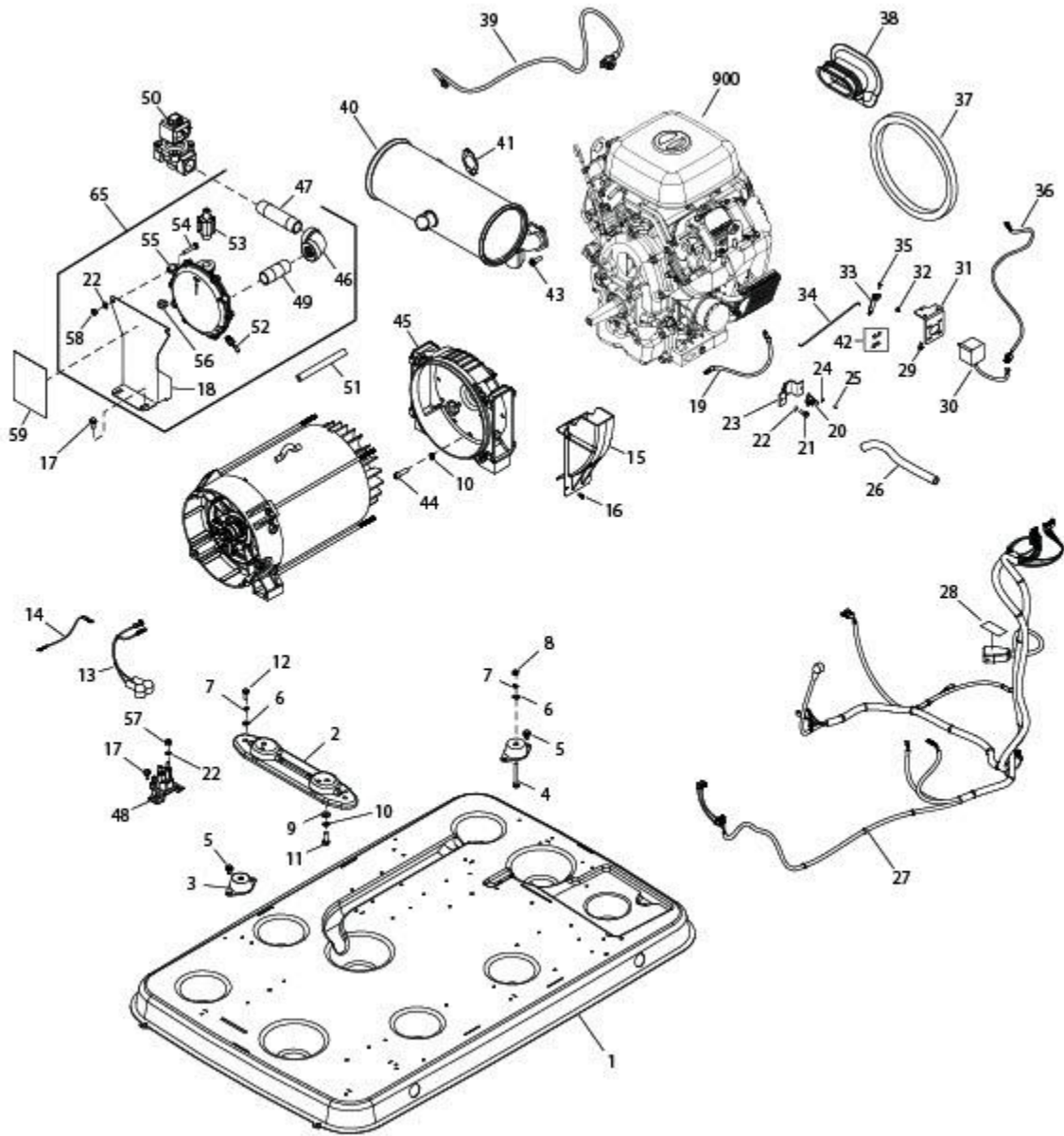
No.	Notes	MODEL OUTPUT CAPACITY ENGINE COOLING/FUEL TYPE	GEN 16 AD-E	GEN 20 AD-E
<b>ENCLOSURE PARTS</b>				
1		Base	CALL	CALL
2		Panel, Left End	AN314645GS	AN314645GS
3		Support Rail	CALL	CALL
4		Insulation	CALL	CALL
5		Panel, Front	CALL	CALL
6	1	External Lock Washer, M6	N/A	N/A
7	1	Hex Head Capscrew, 1/4-20 x 3/4	N/A	N/A
8		Latch	314619GS	314619GS
9	Stk	Latch Key	314290GS	314290GS
10		Bolt	CALL	CALL
11		Latch Arm	315443GS	315443GS
12		Insulation	CALL	CALL
13		Panel, End Right	CALL	CALL
14		Insulation	CALL	CALL
15		Roof	CALL	CALL
16		Decal Sheet, Warnings	CALL	CALL
17		Decal	CALL	CALL
18	1	Flange Nut, 1/4-20	N/A	N/A
19		Screw	CALL	CALL
20		Trim	CALL	CALL
21		Panel, Back	CALL	CALL
22		Panel, Corner	CALL	CALL
23		Support, Rail	CALL	CALL
24		Bracket, Roof Support	CALL	CALL
25		Panel, Corner	CALL	CALL
26		Brace	CALL	CALL
27		Spring	CALL	CALL
28		Brace	CALL	CALL
29		Bracket, Roof Support	CALL	CALL
30		Support	CALL	CALL
31		Panel, Alternator Intake	CALL	CALL
32		Clip	CALL	CALL
33		Seal	CALL	CALL
34		Seal	CALL	CALL
35	1	Flat Washer, M8	N/A	N/A
36		Duct, Alternator	CALL	CALL
37		Seal	CALL	CALL
38		Muffler Panel	CALL	CALL
39		Bottom Muffler Panel	CALL	CALL
40		Decal Sheet, Warnings	CALL	CALL
41		Panel, Muffler, Top	CALL	CALL
42		Muffler Deflector	CALL	CALL
43		Exhaust Deflector	CALL	CALL
44		Seal	CALL	CALL
45		Panel, Engine Intake	CALL	CALL
46		Trim	CALL	CALL
47		Decal Sheet, Warnings	CALL	CALL
48		Plug	198460GS	198460GS
49		Screw	CALL	CALL
50		Screen	CALL	CALL
51		Support	CALL	CALL
		Roof Plug (Not Illustrated)	CALL	CALL

No.	Notes	MODEL OUTPUT CAPACITY ENGINE COOLING/FUEL TYPE	GEN 16 AD-E	GEN 20 AD-E
<b>CONTROL PANEL PARTS</b>				
1		Box, Control	CALL	CALL
2		Seal	CALL	CALL
3		Seal	CALL	CALL
4	Stk	Voltage Regulator	205479GS	205479GS
5	1	Hex Head Bolt, #10-32 x 3/8	N/A	N/A
6		Access Door	CALL	CALL
7		Bracket	CALL	CALL
8	1	Screw, #10-32 x 3/8	N/A	N/A
9		Harness	314639GS	314639GS
10		Decal Sheet, Warnings	CALL	CALL
11		Bracket	CALL	CALL
12		Decal	CALL	CALL
13	1	Screw, M2.5-0.45 x 8	N/A	N/A
14		Decal	CALL	CALL
15		Bracket	CALL	CALL
16		Terminal Block	CALL	CALL
17		Decal	CALL	CALL
18	Stk	Circuit Breaker - 70 amp	311317GS	N/A
18	Stk	Circuit Breaker - 100 amp	N/A	311318GS
19	1	Screw, #10-32 x 3/4	N/A	N/A
20	1	Nut, 1/4-20	N/A	N/A
21	1	Hex Head Capscrew, 1/4-20 x .75	N/A	N/A
22	1	External Lock Washer, M6	N/A	N/A
23	Stk	Control Panel	315423GS	315423GS
24		Lug	CALL	CALL
25		Control Panel Box Cover	CALL	CALL
26		Decal Sheet, Warnings	CALL	CALL
27		Decal Sheet, Warnings	CALL	CALL
28		Decal Sheet, Warnings	CALL	CALL

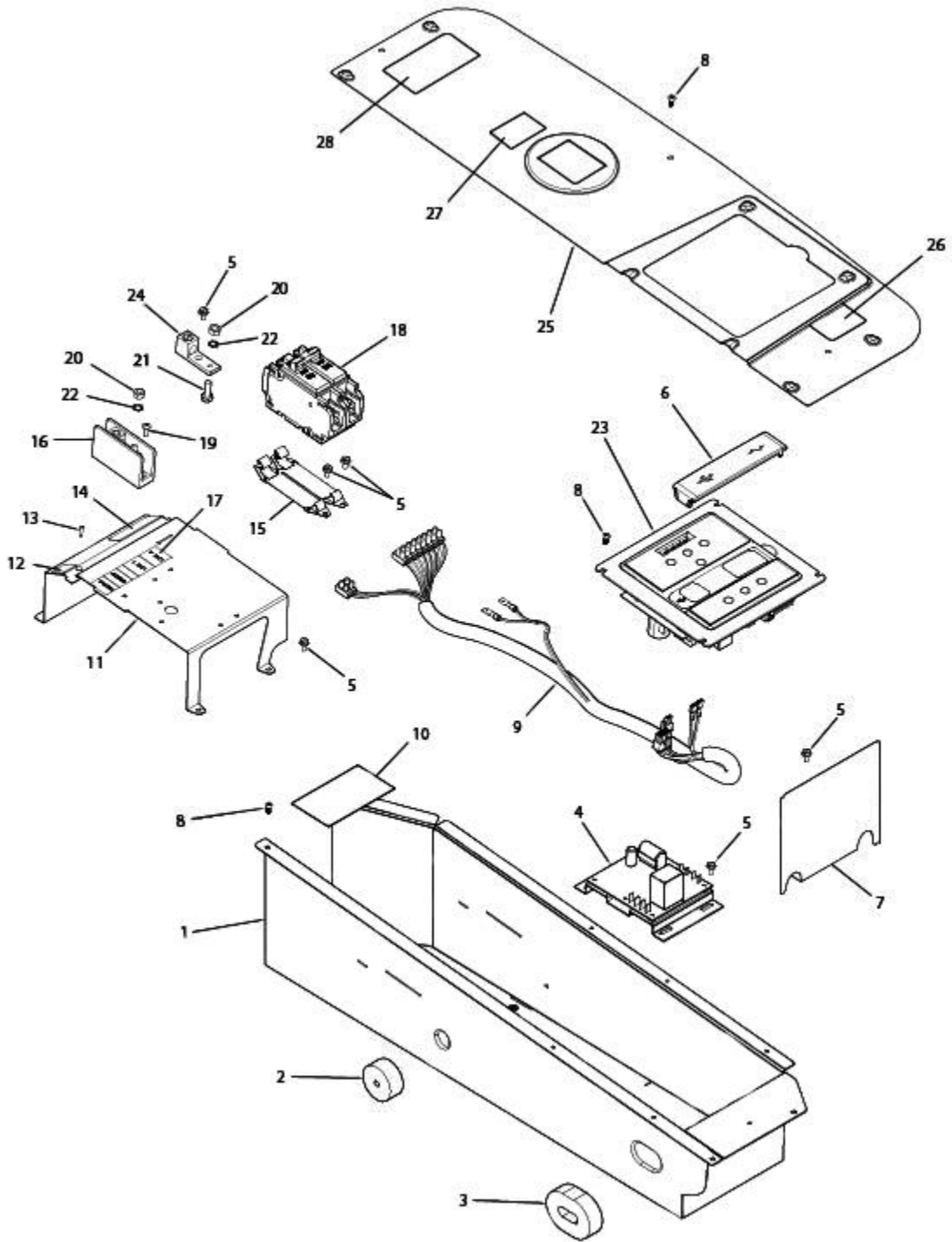
No.	Notes	MODEL OUTPUT CAPACITY ENGINE COOLING/FUEL TYPE	GEN 16 AD-E	GEN 20 AD-E
<b>CONTROL PANEL PARTS - NOT ILLUSTRATED</b>				
	Stk	Fuse - Auto Type 15A	198573GS	198573GS

No.	Notes	MODEL OUTPUT CAPACITY ENGINE COOLING/FUEL TYPE	GEN 16 AD-E	GEN 20 AD-E
<b>ALTERNATOR PARTS</b>				
1		Engine Adapter	195235GS	195235GS
2		Rotor	CALL	CALL
3		Stator	CALL	CALL
4		RBC	195234GS	195234GS
5		Screw	CALL	CALL
6	Stk	Brush Assembly	66386GS	66386GS
7		Tapite	66849GS	66849GS
8		Washer	203200GS	203200GS
9		Bolt	CALL	CALL
10		O-Ring	CALL	CALL
11		Grommet	CALL	CALL

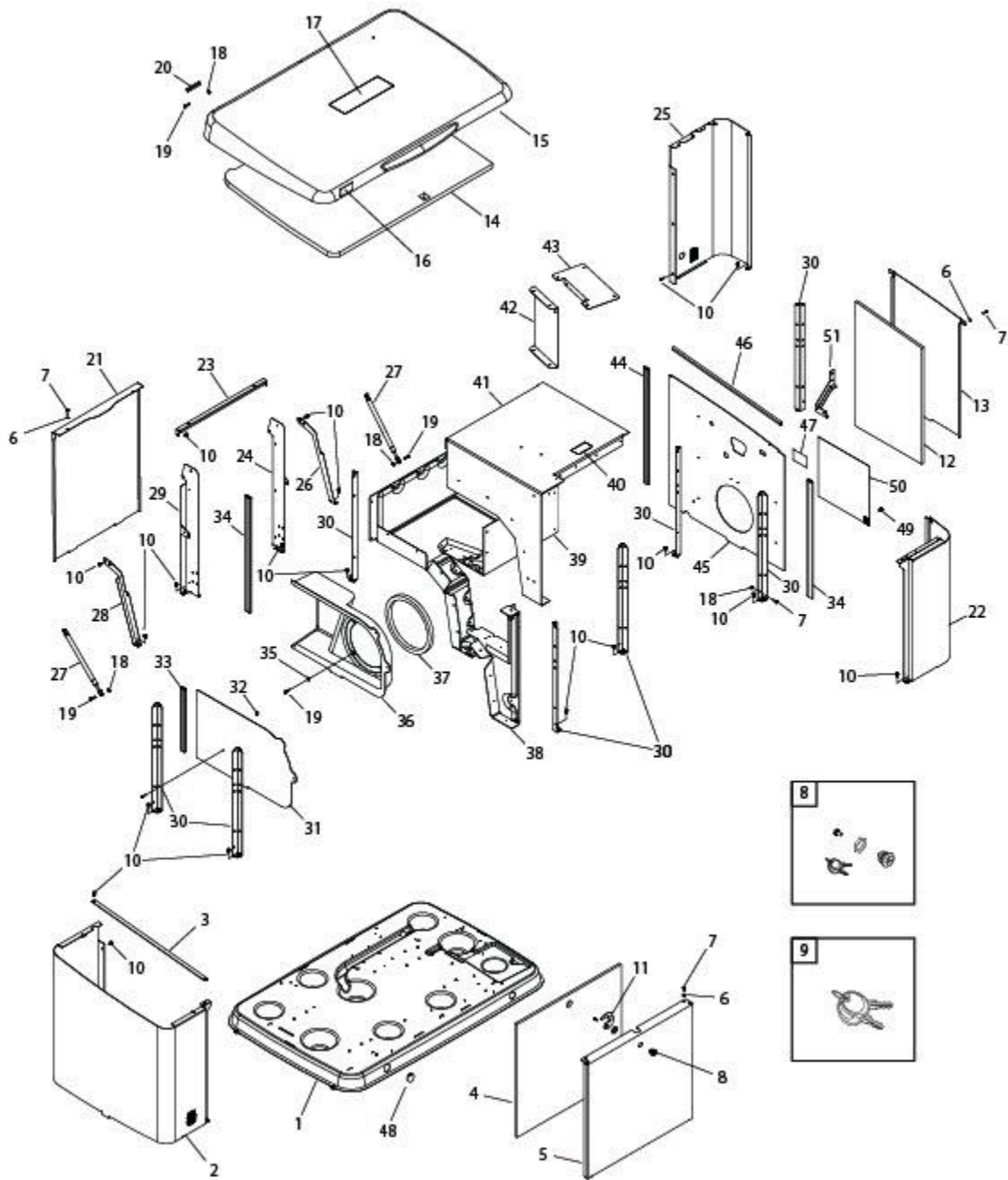




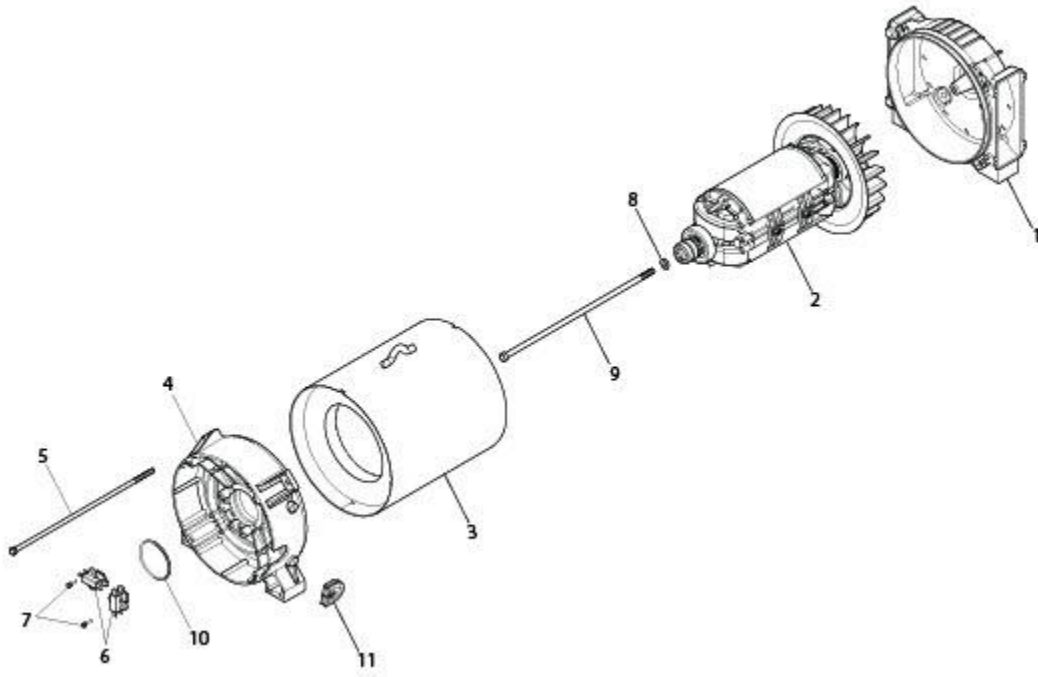
General Assembly Drawing



Control Panel Drawing



Enclosure Parts Drawing



Alternator Parts Drawing

# NOTES

N/A Not Applicable

Stk It is recommended that stock be maintained for this part.

CALL Part will be set-up on customer request

1 Hardware store item

2 Engine repair parts should be obtained through an authorized Briggs & Stratton repair facility.

Power Systems Technical Support: 1-877-369-9400

**DISCLAIMER:** This document is intended to provide general replacement parts information to aid qualified service personnel in the repair of these models. The complete Model and Serial Number of the unit under repair should be specified when selecting and ordering replacement parts. Specifications and illustrations are subject to change without notice. Document 92-42800-GEN16AD-E-GEN20AD-E supersedes all previous parts lists for these models. See <http://www.rheempartslists.net/92-42800-GEN16AD-E-GEN20AD-E> for the latest revision of this document. The manufacturer assumes no obligation for errors or omissions. Service personnel must verify the proper and safe operation of equipment after the replacement of any original components.