

SPECIFICATIONS

- Constant speed brushless DC outdoor motor
- 240V AC single-phase input, 50/60Hz
- Designed for direct-drive fan propeller applications in residential systems up to 5-tons
- Available in 1/5 and 1/3 HP ratings
- Two operating speeds:
1,100 RPM (6 Pole) and 825 RPM (8 Pole)
- NEMA 48-frame
- UL and CSA recognized component
- Single shaft with integral control
- Horizontal and vertical shaft-down mounting

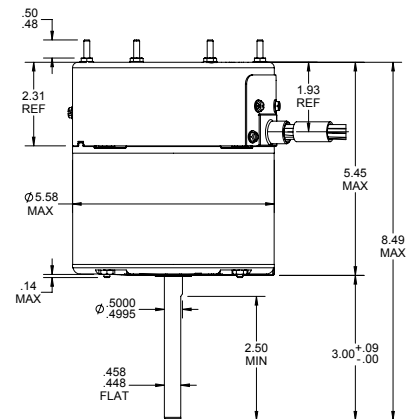
FEATURES

- Efficiency up to 80%
- Replaces outdoor PSC motors for improved system efficiency
- Quiet start and operation
- Constant speed
- Internal Blakbox diagnostics for field testing and failure analysis

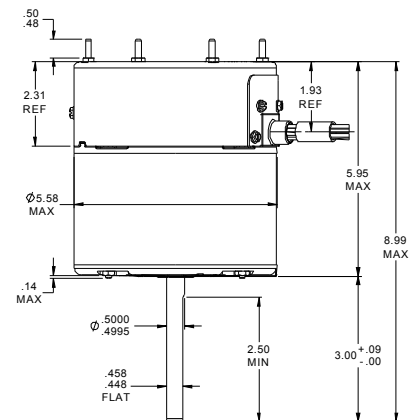


Rotation Sensing Technology™

6301 Evergreen OM – 1/5 HP



6303 Evergreen OM – 1/3 HP



STOCK NO.	HP	RPM	VOLTS	MAX CURRENT	DIM A*	DIM B**	APPROXIMATE WEIGHT
6301	1/5	1100/850	208-240	2.8	8.49"	5.45"	9 lbs
6303	1/3	1100/850	208-240	3.5	8.99"	5.95"	12 lbs

*Overall length **Motor body length

1325 Heil Quaker Blvd
LaVergne, TN 37086
PH: 800-672-6495
FAX: 800-468-2062

thedealertools.com

©2014 Regal-Beloit Corporation G1120 5/2014

A Regal Brand

www.regalbeloit.com