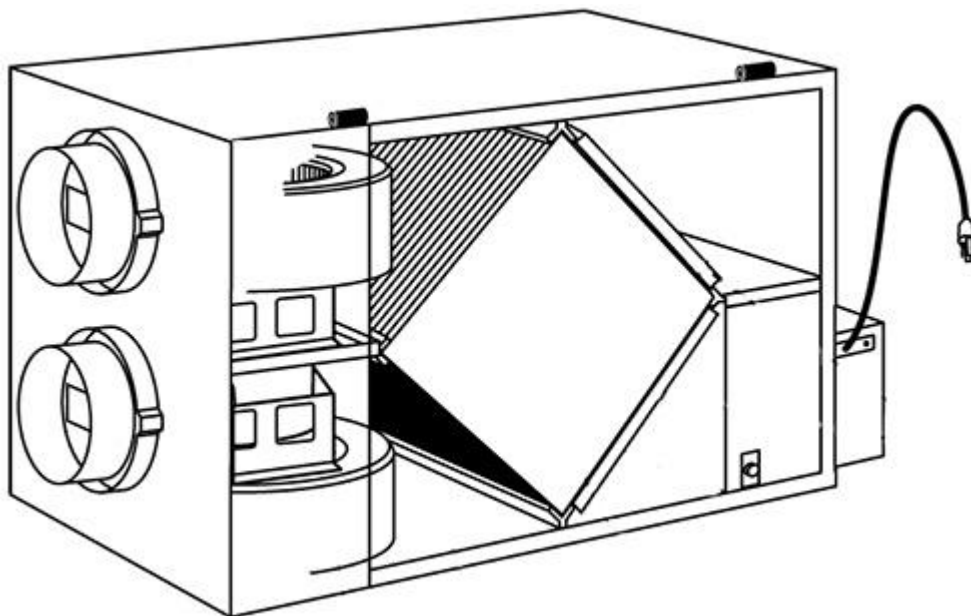


84-ERV-HRV

PROTECH

Parts List
13-November-2012



This parts list is current as of the above revision date.

See <http://www.rheempartslists.net/92-42804-84-ERV-HRV.pdf> for the current revision.

Energy and Heat Recovery Ventilators

Table of Contents

Model Explanation	Page 3
Parts Numbers	
Replacement Parts	Page 4
Drawings/Photographs	
Exploded View	Page 5
Notes/Disclaimer	Page 6

MODEL NUMBER EXPLANATION

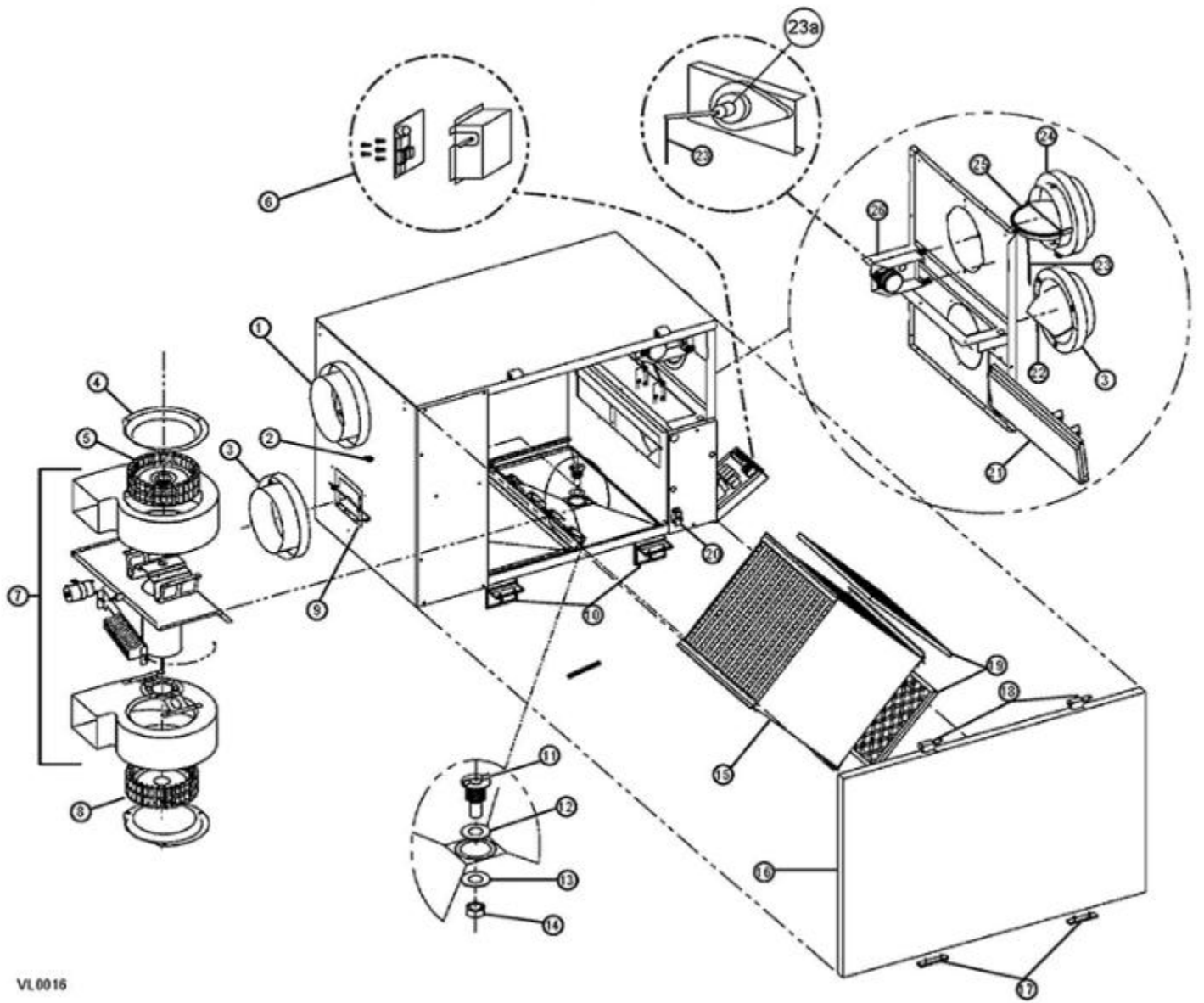
8	4	-	E	R	V	2	0	0
1				2			3	

1 **PRODUCT TYPE**
84 IAQ Product

2 **APPLICATION**
ERV Energy Recovery Ventilator
HRV Heat Recovery Ventilator

3 **CAPACITY**

No.	Notes	PRODUCT TYPE APPLICATION CAPACITY	84 HRV 100	84 HRV 200	84 ERV 100	84 ERV 200
1		Double Collar Port #2	00866	00866	00866	00866
2		Wing Nut (#10-32)	00874	00874	00874	00874
3		Balancing Double Collar Port	02256	02256	02256	02256
4		Inlet Ring	12913	12913	12913	12913
5		Top Wheel	14307	03093	03093	03093
6		Electronic Board (V99)	13507	13507	13507	13507
7		Motor Assembly	13504	13556	13555	13506
8		Bottom Wheel	02015	03093	02015	03093
9		Square Damper	12645	12645	12645	12645
10		Door Latches	00886	00886	00886	00886
11		Drain Connector	02418	02418	02418	02418
12		Drain Washer - 5/8 in. diameter	02419	02419	02419	02419
13		Washer (5/8 in. ID x 1 in. OD)	03117	03117	03117	03117
14		Nut (5/8-18)	02420	02420	02420	02420
15		Recovery Core	03134	03135	03136	03137
16		Door Assembly	13772	13772	13772	13772
17		Doorkeeper	00887	00887	00887	00887
18		Hinge Assembly	00672	00672	00672	00672
19		Filter	03096	03097	03096	03097
20		Door Switch - SPST (E69 10A)	01825	01825	01825	01825
21		Damper #2	12643	12643	12643	12643
22		Balancing Damper	02253	02253	02253	02253
23		Damper Rod	12620	12620	12620	12620
23a		Rubber Grommet - Damper Rod	00248	00248	00248	00248
24		Port #5	02021	02021	02021	02021
25		Damper #1	12459	12459	12459	12459
26		Actuator Assembly	03124	03124	03124	03124
		Thermistor Kit	12895	12895	12895	12895
		Parts Bag (Drain Connector, Nut, Washer, Gasket, Tee, etc)	03148	03148	03148	03148



VL0016

Exploded View

NOTES

Please take note that parts not listed are not available; those parts require assembly knowledge that only manufacturer can guarantee.

DISCLAIMER: This document is intended to provide general replacement parts information to aid qualified service personnel in the repair of these models. The complete Model and Serial Number of the unit under repair should be specified when selecting and ordering replacement parts. Specifications and illustrations are subject to change without notice. Document 92-42804-84-ERV-HRV supersedes all previous parts lists for these models. See <http://www.rheempartslists.net/92-42804-84-ERV-HRV> for the latest revision of this document. The manufacturer assumes no obligation for errors or omissions. Service personnel must verify the proper and safe operation of equipment after the replacement of any original components.