

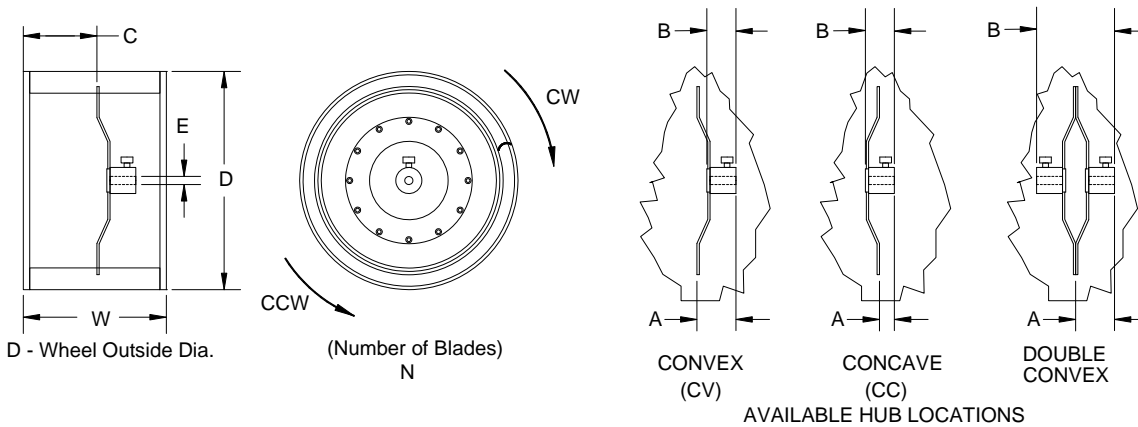
REV	NOTES	DATE

- Description** - Blower wheel, same as provided in Rheem assembly 70-101729-08
- Vendor/Vendor Part Number** - Morrison Products 03-45094
- Dimensions** - Reference Fig. 1 and Table 1. Tolerance +/- 1/16 in.

Table 1:

Overall Diameter Dim. D (in.):	10-5/8
Overall Width Dim. W (in.):	10-11/16
Nominal Size (in.):	10 x 10
No. of Blades:	48
Nominal Hub Bore Shaft Size Dim. E (in.):	1/2
No. Set Screws:	1
Outside Edge of Disc to Outside End of Hub Dim. A (in.):	2
Hub Length Dim. B (in.):	1
Disc Setback - Outside Edge of Disc to End of Wheel Opposite Hub Dim. C (in.):	4-11/32
Keyway (in.):	None
Rotation Direction (Facing Hub):	CW
Disc Shape (Hub side):	Convex

Fig. 1



Part No. [s]

Drawn By: DGR 2/4/11
Reviewed By: WCM 2/8/11
Date: _____

RHEEM CONFIDENTIAL INFORMATION. NO REVISION TO DESIGN, MATERIAL, TOOLING OR PROCESS IS ACCEPTABLE WITHOUT PRIOR APPROVAL FROM RHEEM THROUGH A REVISED ENGINEERING SPECIFICATION AND A RESAMPLING OF PARTS. THE SUPPLIER IS RESPONSIBLE FOR NOTIFYING RHEEM PARTS DEPARTMENT AND PURCHASING DEPARTMENTS IN WRITING OF ANY CHANGES AFFECTING PRODUCT QUALITY, PERFORMANCE, RELIABILITY, PACKAGING, DELIVERY OR WORKMANSHIP. ANY DOCUMENTS REFERRED TO ON THIS DRAWING ARE INCLUDED IN THE SPECIFICATIONS FOR THIS COMPONENT.



Parts Engineering

Blower Wheel

703023

Sheet 1 of 1