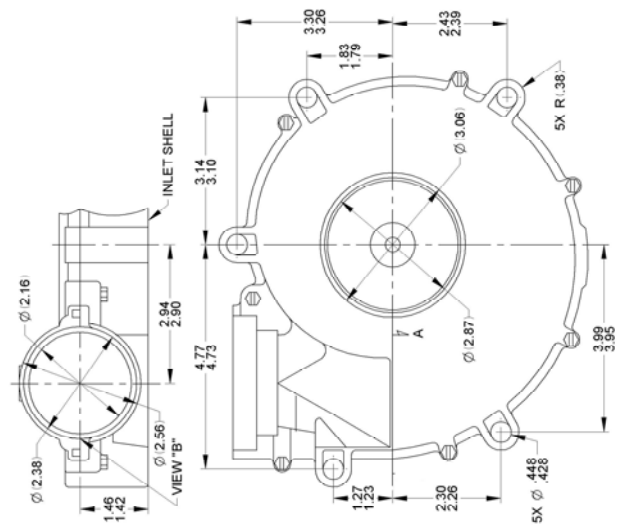
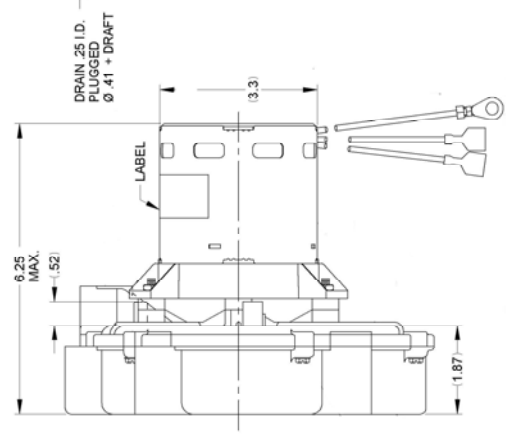
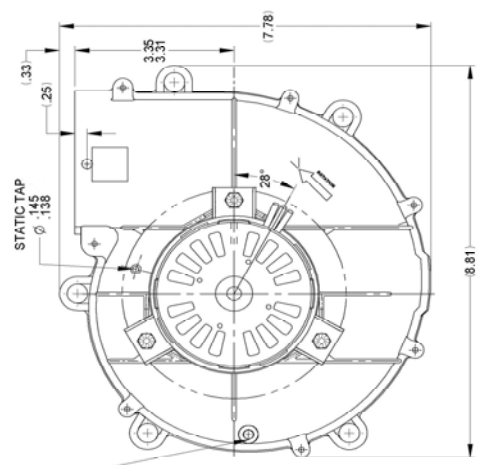
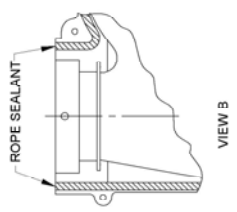


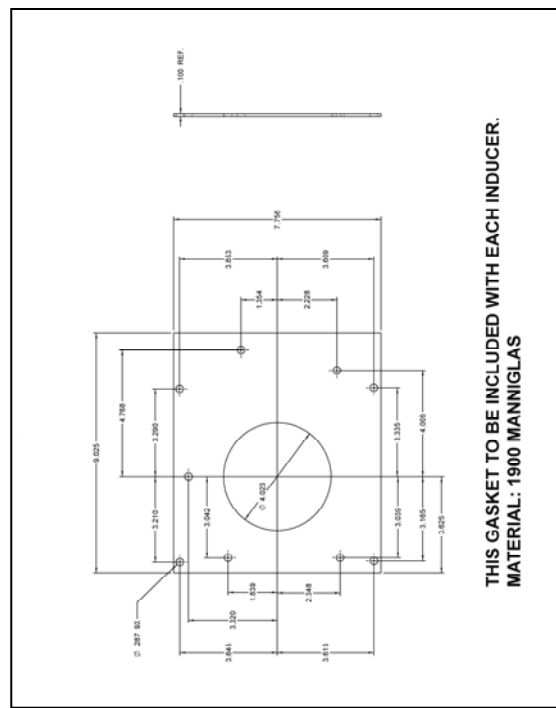
REV	NOTES	DATE

MOTOR LEAD MATERIAL: 18 GA. 125 C. 2/64 INSUL. X-LINKED POLY (2) BLACK 5.50/7.50 LONG WITH MSPADE TERMS. 8903-9148, AMP # 2-520102-2. OR EQUIVALENT

GROUND LEAD MATERIAL: 18 GA. 125 C. 2/64 INSUL. X-LINKED POLY GRN/YEL. 6.00/8.00 LONG W/IRING TERM. 8903-9251, AMP # 60700-2. OR EQUIVALENT



FASCO MOTOR: 7121-5990
VOLTAGE / PHASE / HZ: 115 1/160
RPM: 3200
FLA: 1.3
SHAFT: 416 S.S.
BEARINGS: BALL
MOTOR SHAFT END PLAY: 0.00 (SHAFT IS SPRING-LOADED)
IMPELLER: MINERAL FILLED POLYPROPYLENE
INTERNAL COOLING FAN: ALUMINIZED STEEL
COMPRESSION RING: CARBON SPRING STEEL
UL FILES: E20127; THERMAL INSULATION E62640; COMPONENT CONSTRUCTION E62642; CLASS OF INSULATION



**THIS GASKET TO BE INCLUDED WITH EACH INDUCER.
MATERIAL: 1900 MANNINGLAS**

NOTE: ALL DIMENSIONS IN INCHES UNLESS OTHERWISE NOTED

TOLERANCES (UNLESS OTHERWISE SPECIFIED)
2 PLACE: +/- .01
3 PLACE: +/- .005
ANGLES: +/- 1°

Drawn By: ESP 1/28/08
Reviewed By: WCM 2/4/08
Date:

RHEEM CONFIDENTIAL INFORMATION. NO REVISION TO DESIGN, MATERIAL, TOOLING OR PROCESS IS ACCEPTABLE WITHOUT PRIOR APPROVAL FROM RHEEM THROUGH A REVISED ENGINEERING SPECIFICATION AND A RESAMPLING OF PARTS. THE SUPPLIER IS RESPONSIBLE FOR NOTIFYING RHEEM PARTS DEPARTMENT AND PURCHASING DEPARTMENTS IN WRITING OF ANY CHANGES AFFECTING PRODUCT QUALITY, PERFORMANCE, RELIABILITY, PACKAGING, DELIVERY OR WORKMANSHIP. ANY DOCUMENTS REFERRED TO ON THIS DRAWING ARE INCLUDED IN THE SPECIFICATIONS FOR THIS COMPONENT.



INDUCED DRAFT BLOWER ASSEMBLY w/GASKET

703020

Sheet 1 of 1