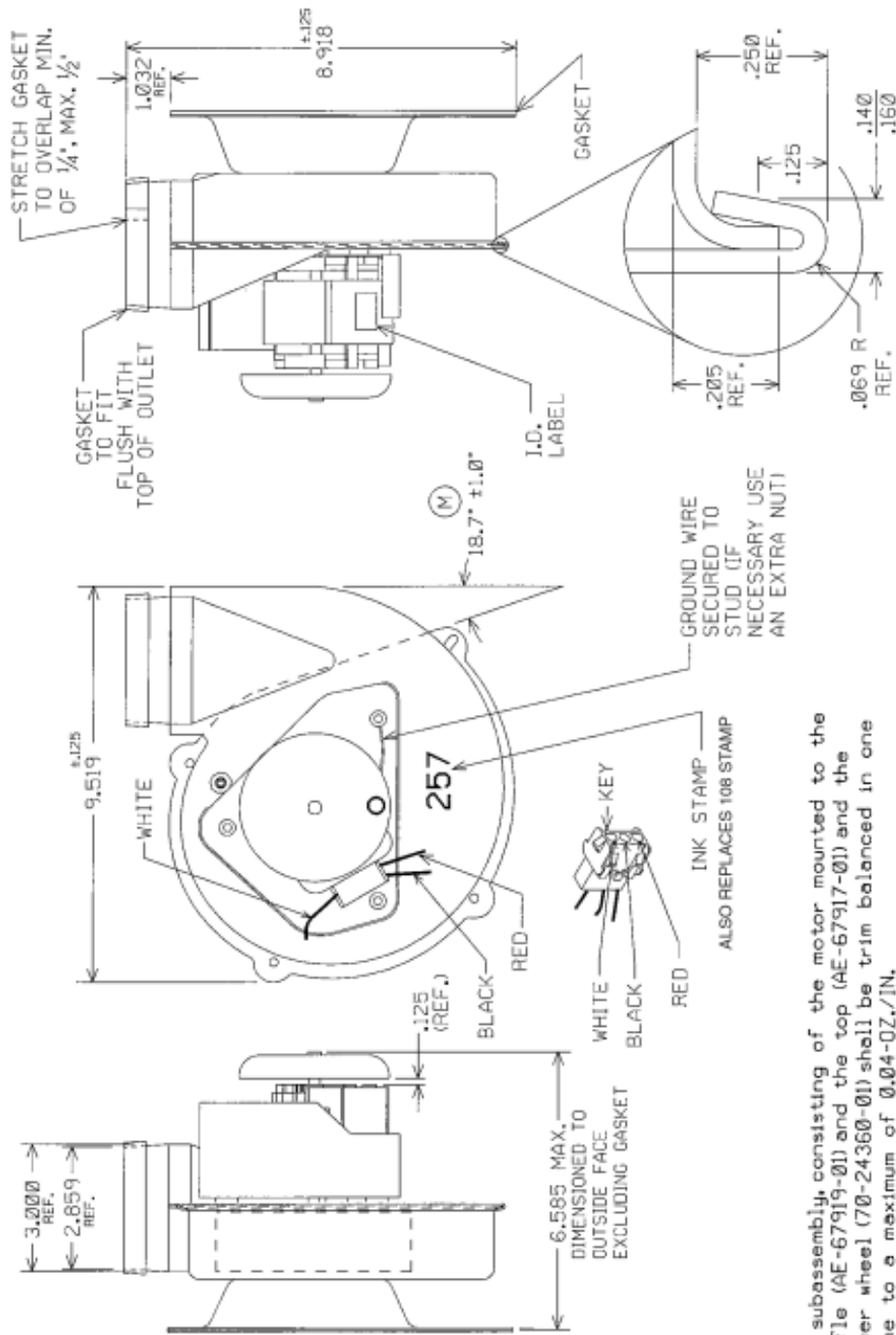


PROSTOCK / DIVISION OF RHEEM MFG.

REVISION



1. The subassembly, consisting of the motor mounted to the beffle (AE-67919-01) and the top (AE-67917-01) and the blower wheel (70-24360-01) shall be trim balanced in one plane to a maximum of 0.04-0Z./IN.
2. The hole diameter after swaged between base part (AE-67918-01) and bottom part (AE-67916-01) should be a minimum of 2.185".
3. Inducer should be assembled and tested per supplier's procedure 7058-0257.
4. The wheel must not interfere with the housing under application loads.
5. Lead wire length: 8' to 10'.

FASCO PART No.: 7058-0257  
 INDUCER: 7158-0257  
 MOTOR: TYPE U58B  
 60 Hz., 115V., 3000 RPM

Dr. By.	Date	Original Release No.	Pg.	Rev.
L.Stec	04/24/03	N-00088	1 of 3	00

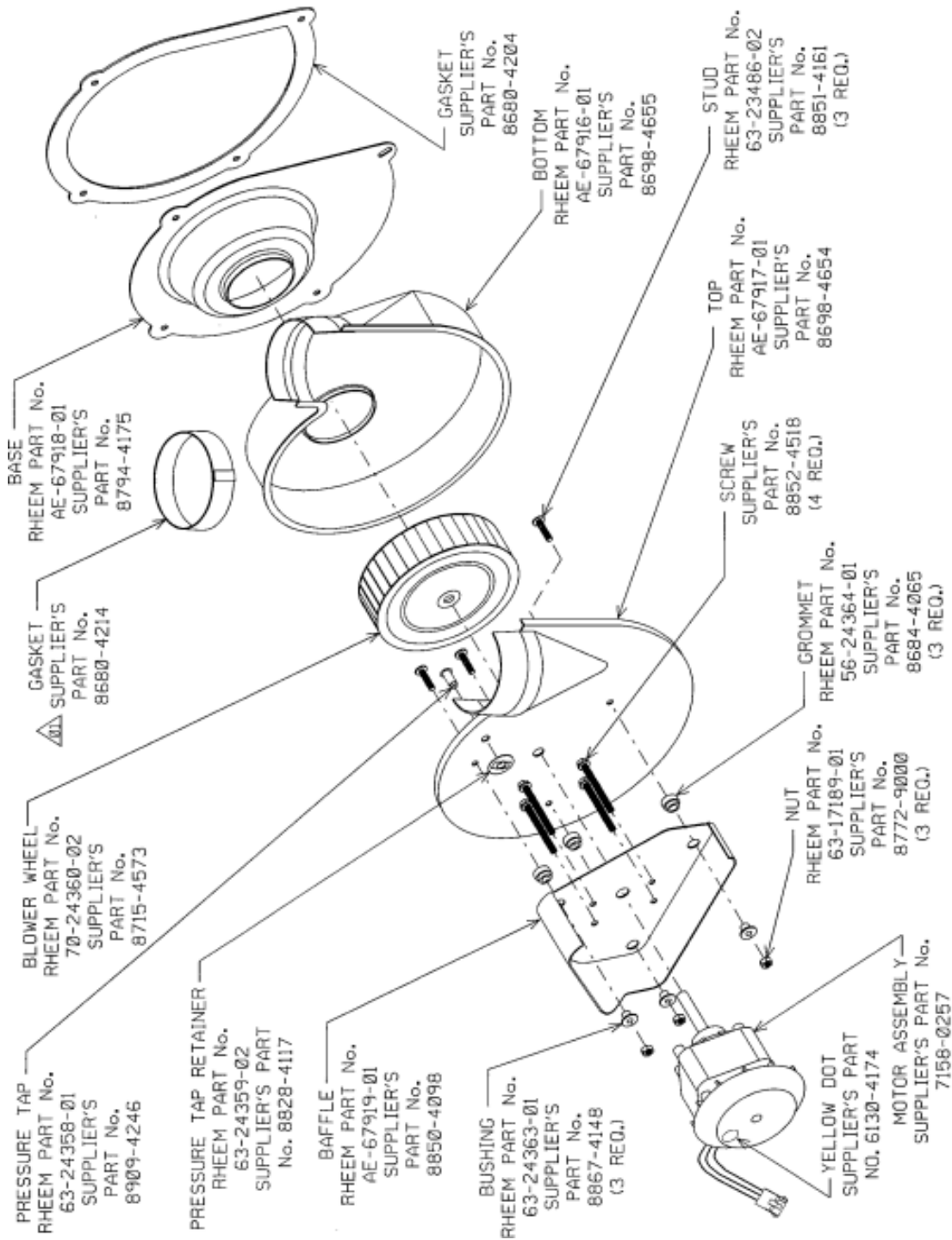
INDUCER KIT - FASCO Two Stage

PART NO

703001

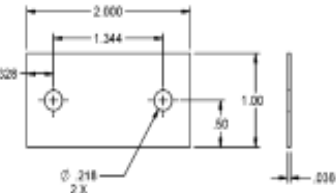
**PROSTOCK / DIVISION OF RHEEM MFG.**

REVISION



Note : This 703001 replacement kit to include the following items:

- 1) 70-100542-02 Inducer
  - 2) 79-21491-03 Silicone hose - 10" piece.
  - 3) Mounting Plate from Fasco
  - 4) 92-26177-517-00 Instructions
- Precartoned and Pre-labeled by Fasco



Dr. By.	Date	Original Release No.	Pg.	Rev.
L.Stec	04/24/03	N-00088	2 of 3	00
PART NO			703001	
INDUCER KIT - FASCO				

# PROTECH™

## 703001 - 2 STAGE INDUCER KIT INSTALLATION INSTRUCTIONS

Kit includes 1) Inducer, 2) Pressure Switch Hose, 3) Mounting Plate for 14" Upflows, 4) Instructions

### RECOMMENDED PRESSURE SWITCH HOSE LENGTHS

UPFLOW APPLICATIONS			DOWNFLOW APPLICATIONS		
Jacket Width	"A" Tridelta	"A" MPL	Jacket Width	"A" Tridelta	"A" MPL
14"	7.0"	8.5"	14"	7.0"	8.5"
17 1/2"	5.5"	6.5"	17 1/2"	5.5"	6.5"
21"	6.5"	8.0"	21"	6.5"	8.0"
24 1/2"	8.5"	10.0"	24 1/2"	8.5"	10.0"

14" Jacket Width  
Upflow Installations Only  
Not for Horizontal Applications

14" Jacket Width  
Downflow Installations Only  
Not for Horizontal Applications

14" Upflow Installation -- Use Mounting Plate per diagram above.  
 14" Downflow Installation -- Drill hole per diagram above.  
 14" Horizontal Installation -- Order 42-24166-11 - MPL Pressure Switch Assy. If not already installed.

### 703001 IS ONLY FOR USE WITH [-]GPK, [-]GLK, [-]GPL, [-]GLL - 2 STAGE FURNACES

Replacing the following part numbers:

70-24319-01, 70-24324-01, 70-24324-02, 70-100542-01, 70-100542-02, 703001.

### INSTALLATION PROCEDURE FOR 703001 - 2 STAGE DRAFT INDUCER :

- 1) Disconnect 120 volt power supply to furnace.
- 2) Turn off gas supply to furnace.
- 3) Remove the two (2) 120 volt power supply flag clips from the induced draft motor power terminals.
- 4) Remove the vent pipe from the draft inducer outlet.
- 5) Remove the pressure switch sensing hose from the inducer.
- 6) Remove the four (4) inducer mounting screws and retain them for installation of replacement inducer.
- 7) Remove the draft inducer assembly from the furnace front panel.
- 8) Remove any original inducer gasket material from the furnace front panel.
- 9) Using the original four (4) mounting screws, attach the replacement inducer to the front panel.
- 10) Place the vent pipe over the blower outlet.
- 11) Predrill, through the vent pipe and blower outlet, at least (2) 1/8" diameter holes.
- 12) Secure the vent pipe to the blower outlet with #8 sheet metal screws through the two predrilled holes.
- 13) Reattach the two (2) power supply wires to the motor terminals.
- 14) Using the new pressure switch hose, reconnect pressure switch to fitting on the induced draft housing.
- 15) Restore primary power supply and gas supply to the furnace.
- 16) Test fire the furnace.

Caution must be used when installing this part. If instructions are not understood, contact your local distributor.

92-26177-517-00

PROSTOCK / DIVISION OF RHEEM MFG.

Dr. By.	Date	Original Release No.	Pg.	Rev.
L.Stec	04/24/03	N-00088	3 of 3	00
INDUCER KIT - FASCO			PART NO 703001	

REVISION