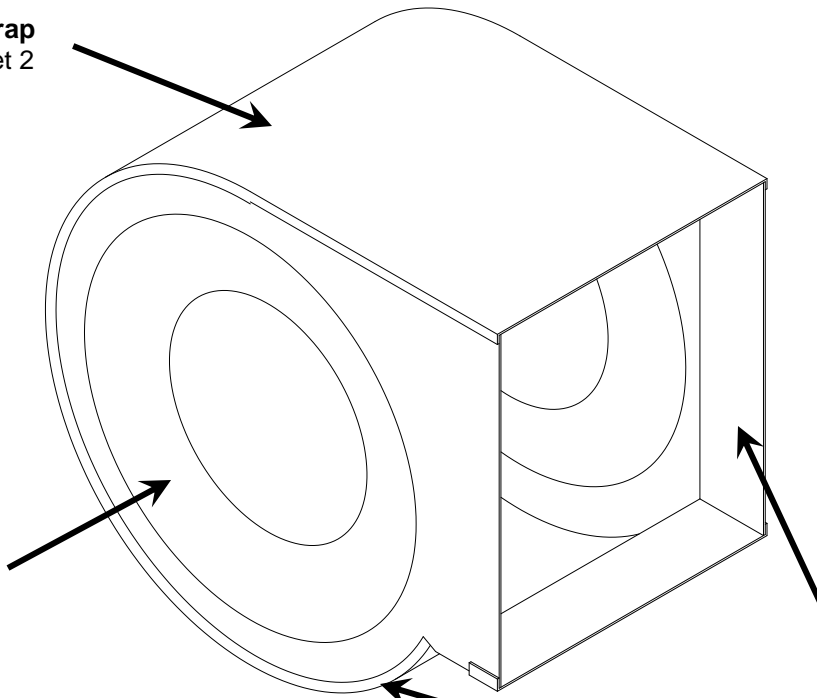


REV	NOTES	DATE

Scroll Wrap
See Sheet 2



L.H Scroll Side
AE-60511-02

R.H Scroll Side
AE-60511-01

Spotweld Scroll Side to Scroll Wrap
On approx. 2" centers (both sides)

This Blower Housing Kit contains the following parts.

<u>Description</u>	<u>Part #</u>	<u>Qty</u>
Housing		1
Support Angle (14 inch)	AE-67453-02	2
Support Angle (10 inch)	AE-57134-01	2
Side Angle (7-7/8 inch)	AE-57825-01	2
Side Channel (18 inch)	AE-45400-03	2
Side Angle (11-1/4 inch)	AE-61241-01	2
Side Angle (19 inch)	AE-61241-02	2
Angle (13-1/8 inch)	AE-51001-22	1
Instruction Sheet	92-26177-600	1

NOTES:

- 1) Housing, channels, and angles to be packaged together with instruction sheet.
- 2) Channels and angles to be constrained from free movement inside package.

Part No. [s]

Drawn By: DGR 10/14/11
Reviewed By: ESP 10/20/11
Date:

RHEEM CONFIDENTIAL INFORMATION. NO REVISION TO DESIGN, MATERIAL, TOOLING OR PROCESS IS ACCEPTABLE WITHOUT PRIOR APPROVAL FROM RHEEM THROUGH A REVISED ENGINEERING SPECIFICATION AND A RESAMPLING OF PARTS. THE SUPPLIER IS RESPONSIBLE FOR NOTIFYING RHEEM PARTS DEPARTMENT AND PURCHASING DEPARTMENTS IN WRITING OF ANY CHANGES AFFECTING PRODUCT QUALITY, PERFORMANCE, RELIABILITY, PACKAGING, DELIVERY OR WORKMANSHIP. ANY DOCUMENTS REFERRED TO ON THIS DRAWING ARE INCLUDED IN THE SPECIFICATIONS FOR THIS COMPONENT.



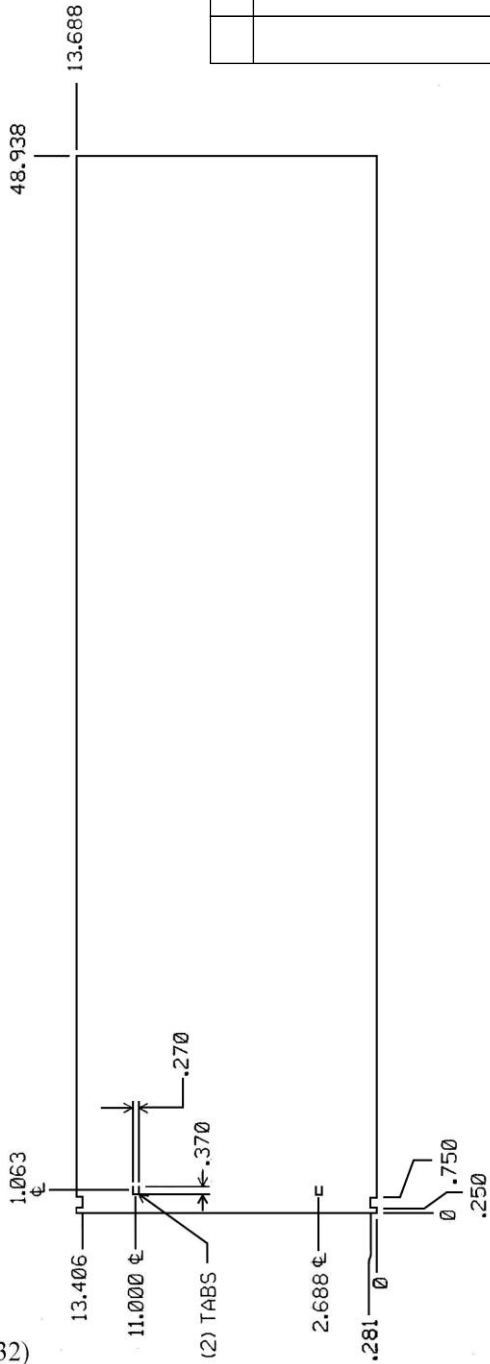
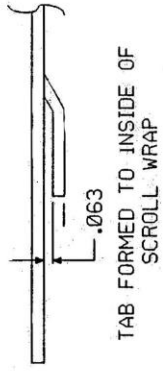
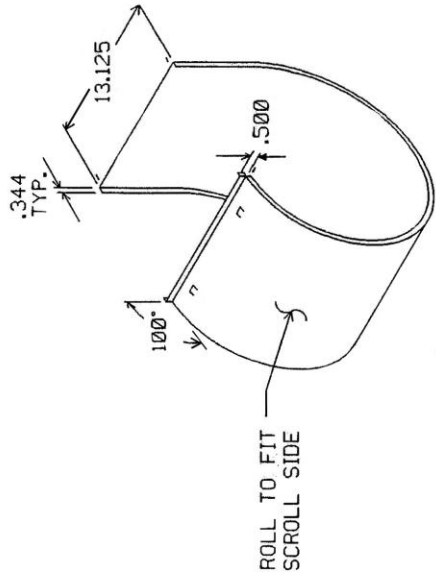
**Parts
Engineering**

Blower Housing Assembly

70-B1110-03

Sheet 1 of 2

REV	NOTES	DATE



Standard tolerance (Fractional +1/32)
 (Angular +1Deg -3Deg)
 (Decimal +-.030)

20 GA. GALV. (ES-009) GB/N

Part No. [s]

Drawn By: DGR	10/14/11
Reviewed By: ESP	10/20/11
Date:	

RHEEM CONFIDENTIAL INFORMATION. NO REVISION TO DESIGN, MATERIAL, TOOLING OR PROCESS IS ACCEPTABLE WITHOUT PRIOR APPROVAL FROM RHEEM THROUGH A REVISED ENGINEERING SPECIFICATION AND A RESAMPLING OF PARTS. THE SUPPLIER IS RESPONSIBLE FOR NOTIFYING RHEEM PARTS DEPARTMENT AND PURCHASING DEPARTMENTS IN WRITING OF ANY CHANGES AFFECTING PRODUCT QUALITY, PERFORMANCE, RELIABILITY, PACKAGING, DELIVERY OR WORKMANSHIP. ANY DOCUMENTS REFERRED TO ON THIS DRAWING ARE INCLUDED IN THE SPECIFICATIONS FOR THIS COMPONENT.



Parts Engineering

Blower Housing Assembly

70-B1110-03

Sheet 2 of 2