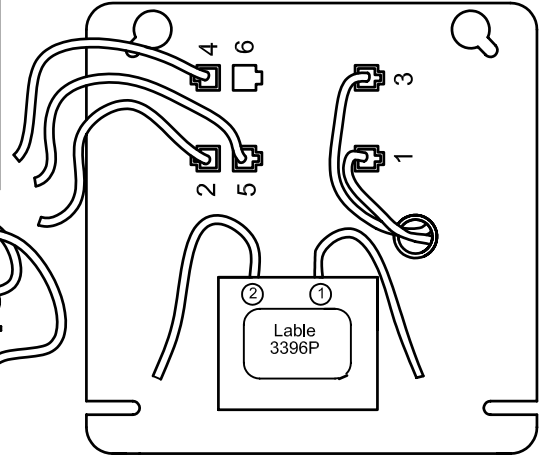
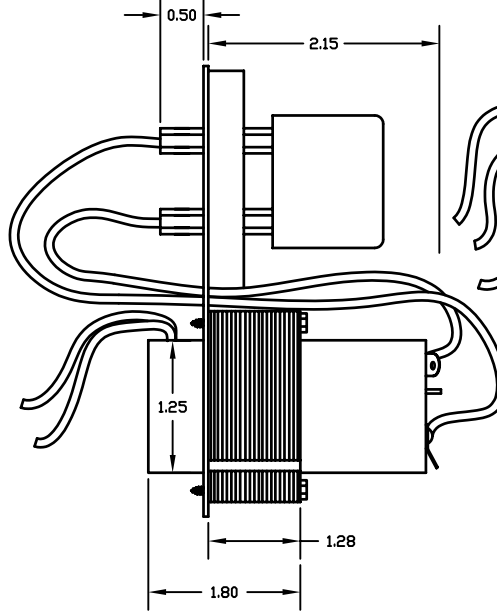
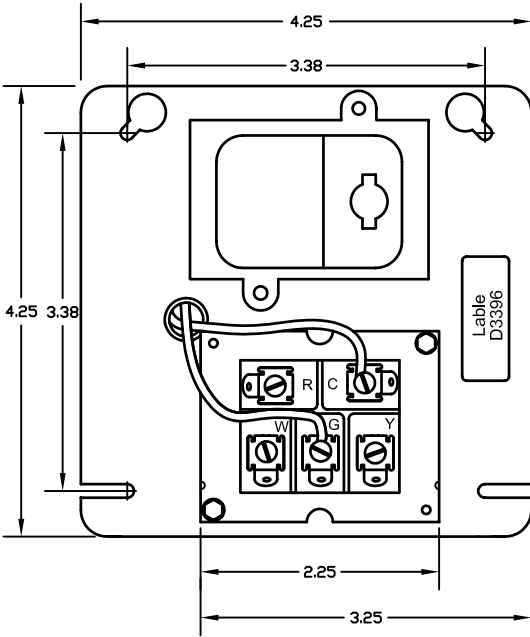
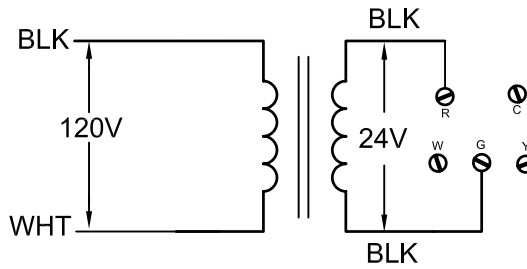


-LABEL 0321-

57Y01V18BC4E03 **47-25089-03**
 SEE RELAY FOR CONTACT RATINGS
 NOT TO EXCEED - 18A, 300VAC.
RELAY CONTACTS N.O. - YEL/BLK
 N.C. - YEL/RED
 PRI : 120 VAC 50/60HZ SEC : 24VAC 40VAC



TRANSFORMER

PRIMARY VOLTAGE
 120 VAC
 SECONDARY VOLTAGE
 24 VAC
 HERTZ VOLTAGE
 50/60 40

RELAY

SPDT
 NC 2/4
 NO 2/5
 24 VOLT COIL VOLTAGE

VENDOR: PRODUCTS UNLIMITED (TYCO PROD.)
 VENDOR PART NO.: 57Y01V18BC4E03

-LABEL 0319-

4000-01V18G100B
 PRI : COM 120 SEC : 24 VAC
 BLK WHT SCREW (2)
 40 V.A. CLASS 2
 50/60 HZ "8" 130-G

TRANSFORMER MODEL NO. 4000-01V18G100B
 PROSTOCK NO.

RELAY MODEL NO. 9400-04Q1100
 PROSTOCK NO. 42-25104-06

PRIMARY LEADS

LEAD NO.	1	2	3	4	5
VOLTAGE	COM	120			
COLOR	BLK	WHT			
LENGTH	10"	10"			
STRIP	.5"	.5"			

RELAY SOCKET LEADS

LEAD NO.	1	2	3	4	5	6
COLOR	BLK	YEL	BLK	BLK	RED	
LENGTH	8"	8"	8"	8"	8"	
STRIP	TERM C	.5"	TERM G	.5"	.5"	
GAGE	16 AWG	16 AWG	16 AWG	16 AWG	16 AWG	

STANDARD TOLERANCE
 -FRACTIONAL ± 1/32
 -ANGULAR +1° -3°
 -DECIMAL ±0.030

PROSTOCK

MODELED BY: **E. Didion**
 DATE: **10/06/03**

ORIGINAL
 RELEASE NO.

NOTE: ALL BREAKS ARE 90°
 UNLESS OTHERWISE SPECIFIED.

MATERIAL



RHEEM MFG
 PARTS
 DEPARTMENT

Fan Center (Relay Contacts)

PART NO. SHEET 1 OF 1 REV
47-25089-03 01