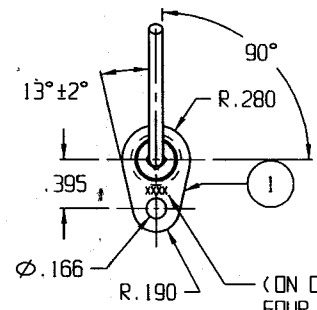
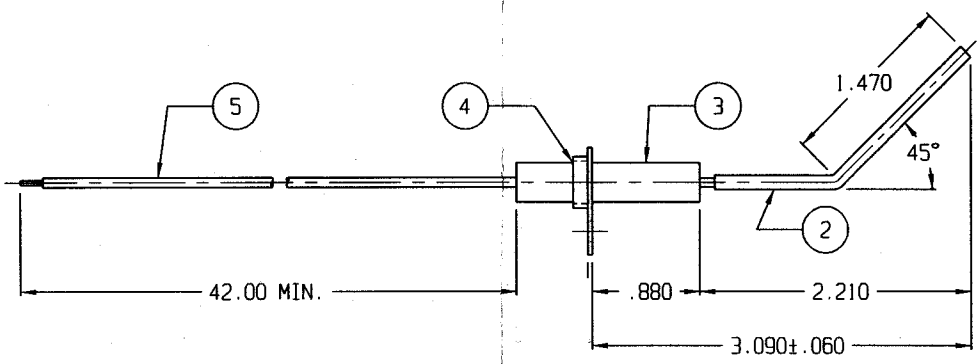
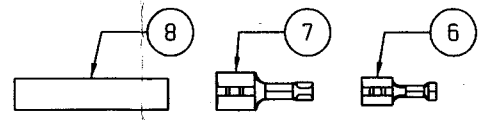


ITEM	PART #	DESCRIPTION
1	8007B-1	.036±.002 C.R.S. BRACKET W/ ZINC PLATING
2	249	∅.114±.002 KANTHAL D/EQUIVALENT
3	8100	∅.317±.005 X 1.500±.015 GLAZED L-5 STEATITE INSULATOR
4	4217	COMPRESSION RING
5	5359	U.L. 1659, 250°C, 20 GA. TEFLON, 7 STRAND YELLOW
6	6012	(AMP #60196-2) FEMALE D.C. RECEPTACLE FOR .187 X .032 BLADE
7	6027	(AMP #42640-2) FEMALE D.C. RECEPTACLE FOR .250 X .032 MALE BLADE
8	120	HEAT SHRINK INSULATION - BLACK



(ON OPPOSITE SIDE SHOWN)
 FOUR (4) DIGIT LOT NUMBER CODE
 (FIRST TWO DIGITS = MFG. YEAR)
 (SECOND TWO DIGITS = LOT CODE)

NOTE 1: EQUAL QUANTITIES OF FLAME SENSORS, BOTH TERMINALS, & HEAT SHRINK TO BE SHIPPED TOGETHER WITH (1) OF EACH COMPONENT PER BAG



CONTROL ITEM	QTY	SIZE	B	ALL NON-TOLERANCED DIMENSIONS ARE REFERENCE ONLY	DO NOT SCALE
ECN NO.	REV.	BY	DATE	REVISIONS	
E000750	-	JMC	02-12-01	PRODUCTION RELEASE	
E001566	A	JMC	04-09-03	42.00 MIN. WAS +1.00/- .00, .880 REF. WAS ±.100, 90° REF. WAS ±2°, & ADDED 13°±2° DIM.	
E001661	B	JMC	06-30-03	ADDED ITEM #'S FOR ITEMS #6-8	

PSE PRECISION SPEED EQUIPMENT, INC.	
PART NAME: SENSOR, FLAME	DRAWN BY: MMK
DATE DRAWN: 02-07-2001	APPROVED BY: DATE APPROVED:
CUSTOMER PART NO.: 45-42374-83	
SCALE: NONE	PART NUMBER: PSE-R44

GAGE BLOCK(S): 2.000 + .250 + .101