

**ELECTRICAL RATINGS:**

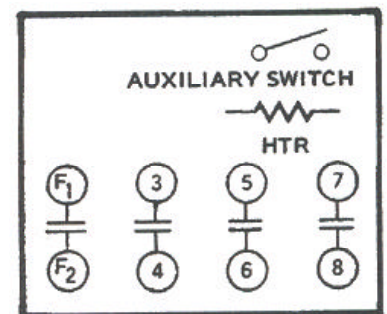
Load Poles Contacts (3-4, 5-6, 7-8) Resistive		
VOLT AC	Amps	KW
208	25.0	5.2
240	25.0	6.0
277	21.7	6.0

Combined Resistive & Inductive Contacts 3-4 Only			
Resistive	Inductive		
Amps	KW	AFL	ALR
20.8	4.3	5.5	15.0
20.8	5.0	5.5	15.0
18.0	5.0	3.6	8.6

**Fan Pole (F1-F2)**

Volt AC	FLA	LRA
120	7.2	43.2
120/208/240	6.9	41.4
277	4.9	29.4

- Anticipator Setting : 0.4A
- Voltage : 24Vac, 0.4A
- Pilot Duty Rating : 62.5 VA at 24 VAC
- Auxiliary Switch : 3.6 AFL, 21.6 ALR @ 240Vac  
5 A Resistive @ 24,120,208,240Vac  
35 VA Pilot Duty @ 24Vac



Dr. By.	Date	Original Release No.	Page	Rev.
M. Altiner	9/26/2000	P-00020	01	00

**SEQUENCING RELAY**

**PART NO  
42-19618-86**

REVISION