

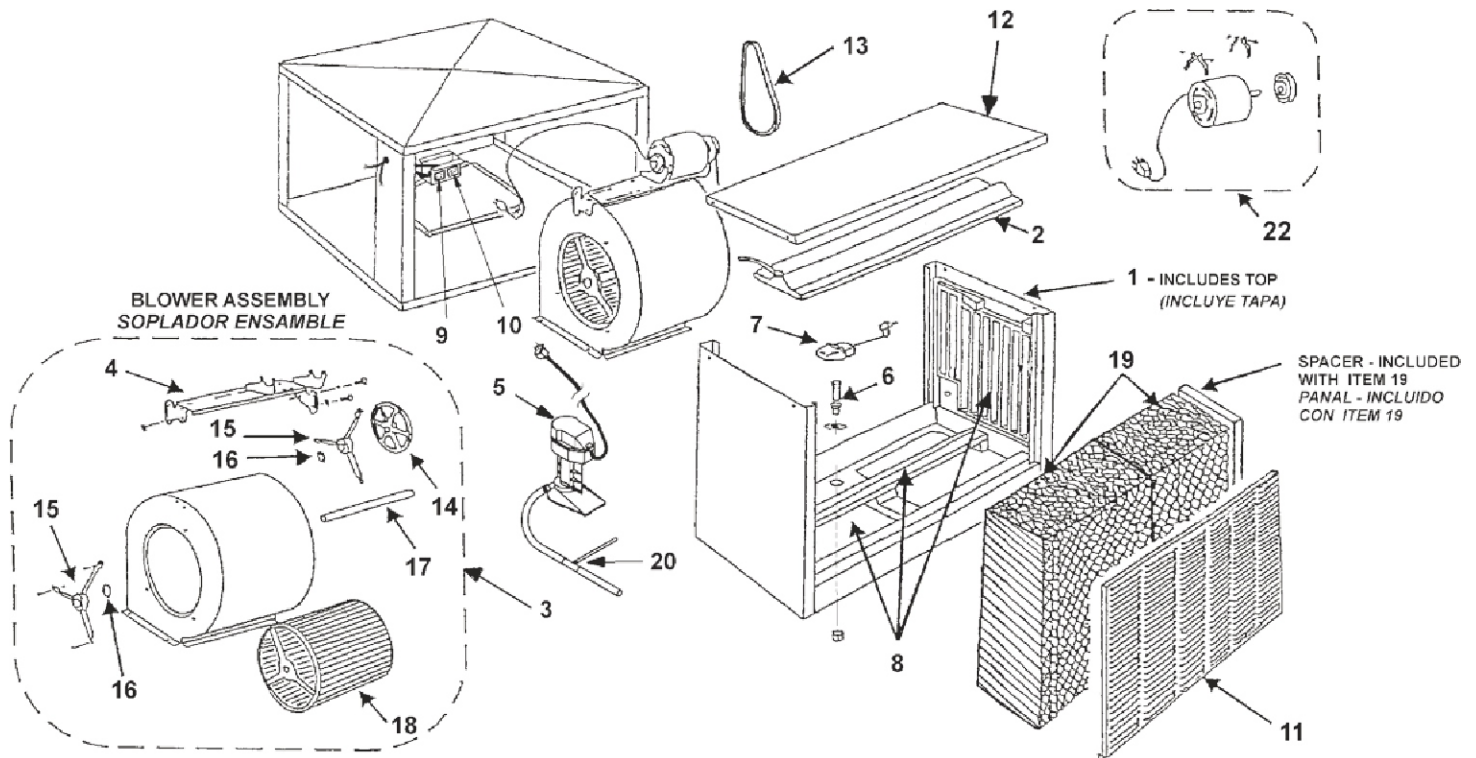
Aerocool Trophy Series Evaporative Coolers - Replacement Parts List

Aerocool Trophy Series Enfriador Evaporativo - Lista Reemplazo de Partes

	Replacement Part	Parte de Reemplazo	TD4800	TD4812	TH4800	TH4812	TD6800	TD6812	TH6801	TH6812	TUP6800	TUP6812
1	Wet Section (Cabinet)	Sección Húmeda (Gabinete)	5-1-47	5-2-246	5-1-47	5-2-246	5-1-46	5-2-245	5-1-46	5-2-245	5-1-46	5-2-245
2	Water Distributor Assy.	Distribuidor de Agua	5-6-163	5-6-168	5-6-163	5-6-168	5-6-163	5-6-168	5-6-163	5-6-168	5-6-163	5-6-168
3	Blower Assy - Complete	Soplador Ensamble	5-3-67	5-3-67	5-3-68	5-3-68	5-3-69	5-3-69	5-3-70	5-3-70	5-3-70	5-3-70
4	Motor Mount	Montadura del Motor	5-3-85	5-3-85	5-3-85	5-3-85	5-3-86	5-3-86	5-3-86	5-3-86	5-3-86	5-3-86
5	Pump - 115V Pump - 230V	Bomba - 115V Bomba - 230V	5-6-34 5-6-44	5-6-166 5-6-167	5-6-34 5-6-44	5-6-166 5-6-167	5-6-34 5-6-44	5-6-166 5-6-167	5-6-34 5-6-44	5-6-166 5-6-167	5-6-34 5-6-44	5-6-166 5-6-167
6	Overflow Standpipe Kit	Tubo de Rebosadero	5-6-5	5-6-5	5-6-5	5-6-5	5-6-5	5-6-5	5-6-5	5-6-5	5-6-5	5-6-5
7	Float Valve Assembly	Válvula Flotador	5-6-1	5-6-1	5-6-1	5-6-1	5-6-1	5-6-1	5-6-1	5-6-1	5-6-1	5-6-1
8	Plastic Liner & Tray	Revestidor y Soporte	5-6-162	5-6-169	5-6-162	5-6-169	5-6-161	5-6-170	5-6-161	5-6-170	5-6-161	5-6-170
9	Pump Receptacle - 115V Pump Receptacle - 230V	Receptáculo de Bomba - 115V Receptáculo de Bomba - 230V	5-7-6 5-7-59	5-7-6 5-7-59	5-7-6 5-7-59	5-7-6 5-7-59	5-7-6 5-7-59	5-7-6 5-7-59	5-7-6 5-7-59	5-7-6 5-7-59	5-7-6 5-7-59	5-7-6 5-7-59
10	Motor Receptacle	Receptáculo de Motor	5-7-5	5-7-5	5-7-5	5-7-5	5-7-5	5-7-5	5-7-5	5-7-5	5-7-5	5-7-5
11	Louver Inlet Panel	Panel de Entrada con Rejillas	5-1-49	5-1-49	5-1-49	5-1-49	5-1-48	5-1-48	5-1-48	5-1-48	5-1-48	5-1-48
12	Wet Section Top	Tapa Sección Húmeda	5-1-67	5-1-71	5-1-67	5-1-71	5-1-67	5-1-71	5-1-67	5-1-71	5-1-67	5-1-71
13	Belt	Banda	5-3-26	5-3-25	5-3-26	5-3-25	5-3-25	5-3-25	5-3-25	5-3-25	5-3-25	5-3-25
14	Blower Pulley	Polea Impulsa Turbina	5-3-71	5-3-72	5-3-71	5-3-72	5-3-72	5-3-72	5-3-72	5-3-72	5-3-72	5-3-72
15	Bearing Assy (set of 2)	Chumaceras (juego de 2)	5-3-38	5-3-38	5-3-38	5-3-38	5-3-39	5-3-39	5-3-39	5-3-39	5-3-39	5-3-39
16	Leather Washer (12 pcs)	Arandela de Vaqueta (12 pzs)	5-3-8	5-3-8	5-3-8	5-3-8	5-3-8	5-3-8	5-3-8	5-3-8	5-3-8	5-3-8
17	Shaft	Eje	5-3-2	5-3-3	5-3-2	5-3-3	5-3-3	5-3-3	5-3-3	5-3-3	5-3-3	5-3-3
18	Blower Wheel	Turbina	5-3-35	5-3-35	5-3-35	5-3-35	5-3-36	5-3-36	5-3-36	5-3-36	5-3-36	5-3-36
19	Pad Media - 2 pieces	Panel - 2 piezas	5-2-43	5-2-125	5-2-43	5-2-125	5-2-44	5-2-126	5-2-44	5-2-126	5-2-44	5-2-126
20	Bleed-off Kit	Juego de Sangría	5-6-3	5-6-3	5-6-3	5-6-3	5-6-3	5-6-3	5-6-3	5-6-3	5-6-3	5-6-3
21	Motor Cord Extension *	Cable de Extensión - Motor *	----	----	----	----	----	----	----	----	5-7-89	5-7-89
22	Motor - 1/2 Hp, 115V Motor - 1/2 Hp, 230V Motor - 3/4 Hp, 115V Motor - 3/4 Hp, 230V Motor - 1 Hp, 115V Motor - 1 Hp, 230V	Motor - 1/2 Hp, 115V Motor - 1/2 Hp, 230V Motor - 3/4 Hp, 115V Motor - 3/4 Hp, 230V Motor - 1 Hp, 115V Motor - 1 Hp, 230V	MK32C MK35C MK42C MK45C ---- ----	---- ---- MK42C MK45C MK46C MK47C	MK32C MK35C MK42C MK45C ---- ----	---- ---- MK42C MK45C MK46C MK47C	---- ---- MK42C MK45C MK46C MK47C	---- ---- MK42C MK45C MK46C MK47C	---- ---- MK42C MK45C MK46C MK47C	---- ---- MK42C MK45C MK46C MK47C	---- ---- MK42C MK45C MK46C MK47C	---- ---- MK42C MK45C MK46C MK47C

* - NOT SHOWN

* - NO ILLUSTRADO



DOWN DISCHARGE SHOWN, SIDE AND UP DISCHARGE SIMILAR
DESCARGA de ABAJO ILLUSTRADO, DESCARGA de LADO y ARRIBA SIMILAR