

WhisperGreen® Select™ Ventilation Fans and Fan/Lights

WhisperGreen® Select™ VENTILATION FAN

Fan Only Models: FV-05-11VKS1,
FV-05-11VK1, FV-11-15VK1
Fan/Light Models: FV-05-11VKSL1,
FV-05-11VKL1, FV-11-15VKL1



- Customizable, all-in-one fan and fan/LED light combinations
- Pick-A-Flow™ Speed Selector – one fan, you choose the CFM (50-80-110 or 110-130-150 CFM models)
- Unique Plug 'N Play modules provide up to three value-added features
- Revolutionary ECM motor with SmartFlow™ technology ensures optimal CFM output
- Replaceable, GU24 base LED lamps provide warm, energy efficient illumination
- Flex-Z Fast™ bracket provides flexible, fast and easy installation
- Can be used to comply with ASHRAE 62.2, LEED, CALGreen and ENERGY STAR® for Homes 3.0

ADDITIONAL BENEFITS

- Integrated dual 4" or 6" duct adaptor (up to 110 CFM models)
- Built-in metal flange provides blocking for penetrations through drywall as an air barrier, and assists with the decrease in leakage in the building envelope during blower door testing
- Fits in 2 x 8 construction
- Protected by UL Class 2 Power Unit
- UL listed for tub/shower enclosure when used with a GFCI protected circuit
- 6 year warranty on ECM motor, 5 years on LED, 3 years on parts



BUILT-IN SELF
ADJUSTING AIRFLOW
CAPABILITY



One Fan – Endless Possibilities.

The all-purpose, customizable IAQ solution for virtually any application

WhisperGreen® Select™ is a ground-breaking IAQ solution that is revolutionizing the ventilation fan industry with a new set of features that enable customization and easier installation. To the builder and professional installer, Panasonic continues to be the innovation leader with high performance ventilation solutions that are built to last. WhisperGreen Select's unique design and superior energy efficiency are achieved through engineering expertise, provided by a company who sets the standard for quality and value.

WHISPERGREEN SELECT™ IS AS EASY AS 1-2-3!

Step 1: Select a Base Fan Model

Select a base model to start building the perfect IAQ solution that satisfies your ventilation design requirements.

Fan	Fan/Light
FV-05-11VKS1: 30 to 110 CFM integrated multi-speed	FV-05-11VKS1: 30 to 110 CFM integrated multi-speed + LED Light
FV-05-11VK1: 50-80-110 CFM single speed	FV-05-11VKL1: 50-80-110 CFM single speed + LED Light
FV-11-15VK1: 110-130-150 CFM single speed	FV-11-15VKL1: 110-130-150 CFM single speed + LED Light

Pick-A-Flow™ Speed Technology

Built-in Pick-A-Flow™ speed selector – one fan, you choose the CFM. Provides the unique ability to select your required airflow (50-80-110 and 110-130-150 CFM models) with the simple flip of a switch.

Step 2: Select Value Added Features*

WhisperGreen Select™ offers a unique set of Four* patented modules that allow you to further customize your fan:



Multi-Speed with Time Delay (FV-VS15VK1) – Allows you to select the proper CFM settings to satisfy ASHRAE 62.2 continuous ventilation requirements. The fan runs continuously at a pre-set lower level, then elevates to a maximum level of operation when the wall switch is turned on, or when the SmartAction® motion sensor or condensation sensor module is activated. A high/Low delay timer returns the fan to the pre-set CFM level after a period of time set by the user.



SmartAction® Motion Sensor (FV-MSVK1) – Automatically activates when someone enters the room. Once the settings have been applied, the fan becomes truly automatic, making it ideal for people with disabilities and assisted living environments such as nursing homes and retirement communities. This module also activates an automatic 20 minute delay off timer for the fan.



Condensation Sensor (FV-CSVK1) – Helps control bathroom condensation to prevent mold and mildew. Advanced sensor technology detects relative humidity and temperature to anticipate dew point, automatically turning the fan on to control humidity. Built-in Relative Humidity(RH) sensitivity adjustment enables fine tuning for moist conditions (30% to 80%, in 10% increments) and for satisfying CALGreen requirements. When the condensation sensor is used in conjunction with multi-speed functionality, the fan will kick up to high speed when the condensation sensor detects moisture in the room. This module also activates an automatic 20 minute delay off timer for the fan.



NiteGlow™ LED Night Light (FV-NLVK1) – A specialized photocell feature automatically turns on the 1 watt LED night light when darkness is sensed in the room. Hi/Low brightness switch enables you to fine tune the photo cell to work in conjunction with the darkness level of your bathroom. This module also activates an automatic 20 minute delay off timer for the fan.

*Select up to 3 value added features.

Step 3: Install Your Ideal Fan with the New! Flex-Z Fast™ Installation System



Fold up articulating joints to easily position bracket in between the joist and/or through ceiling hole.



Fold articulating joints back down in preparation for installation



Extend bracket to desired length.

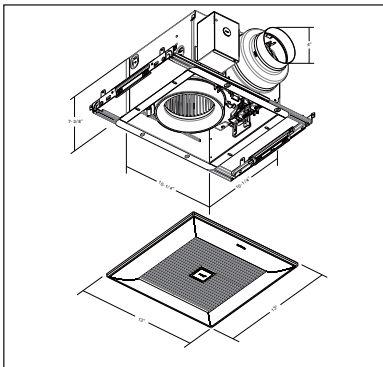
Ingeniously designed installation bracket provides flexible, fast and easy installation for all your new construction or renovation projects.

Installed Performance and Quiet Operation at 0.25" w.g. Static Pressure

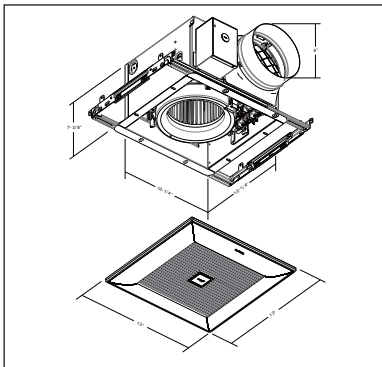
ASHRAE, ENERGY STAR®, LEED for Homes, and HVI have set the industry standard for performance measurement at 0.25" w.g. WhisperGreen® Select™ fans not only provide powerful CFM output at 0.25" w.g., but our sones have also been certified at 0.25" w.g. so they are quiet under pressure and after installation.

WhisperGreen Select™ Ventilation Fans

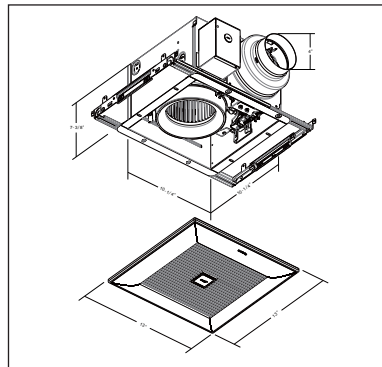
FV-05-11VK1



FV-11-15VK1



FV-05-11VKS1



WhisperGreen Select™ (Fan Only Models)											
with Integrated Multi-Speed											
FV-05-11VKS1											
25	0.1	0.25	0.1	0.25	0.1	0.25	0.1	0.25	0.1	0.25	0.1
2	70	71	60	66	50	53	40	43	30	33	
4	<0.3	0.4	<0.3	<0.3	<0.3	0.3	<0.3	<0.3	<0.3	<0.3	
12	4.3	8.6	3.6	7.8	3.2	6.5	2.7	5.7	2.4	5.0	
4	17.2	8.7	17.5	8.8	15.1	8.1	16.3	8.2	14.2	7.6	
31	772	1112	750	1107	747	1072	731	1073	718	1062	
10	0.05	0.09	0.04	0.08	0.04	0.07	0.08	0.06	0.03	0.06	
	0.27										
	120/60										
	ECM										
	Ball										
	Yes										
	Sirocco										
	Yes										
	4 & 6										
	10-1/2										
	13										
	N/A										
	N/A										
	N/A										
	N/A										
	N/A										
	N/A										
	N/A										
	N/A										
	N/A										
	N/A*										
	11.90										
	Yes										
	Yes										
	Yes										
	Yes										

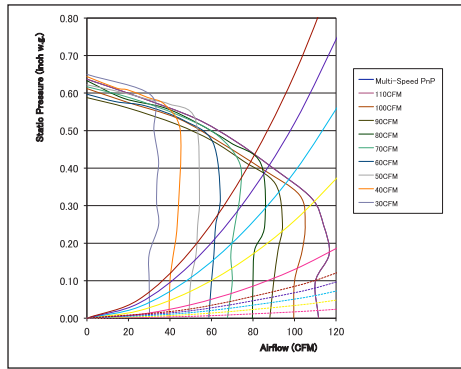
WhisperGreen Select™ (Fan Only Models)																					
Base Fan with Multi-Speed Plug 'N Play Module																					
FV-11-15VK1 + FV-VS15VK1																					
0.1	0.25	0.1	0.25	0.1	0.25	0.1	0.25	0.1	0.25	0.1	0.25	0.1	0.25	0.1	0.25	0.1	0.25	0.1	0.25	0.1	0.25
150	151	130	130	120	121	110	110	100	102	90	96	80	84	70	72	60	62	50	51		
<0.3	0.7	<0.3	0.5	<0.3	0.4	<0.3	<0.3	<0.3	<0.3	<0.3	<0.3	<0.3	0.4	<0.3	0.4	<0.3	0.4	<0.3	0.4	<0.3	0.4
12.7	21.7	9.5	16.8	7.4	14.1	6.6	12.7	5.6	11.3	4.9	10.7	4.4	9.6	3.8	8.6	3.6	7.7	3.1	6.8		
11.5	6.8	13.1	7.8	16.2	8.6	15.7	8.2	17.9	9.0	18.6	9.0	18.2	8.8	18.4	8.4	16.7	8.1	16.1	7.5		
664	904	635	891	615	884	616	889	603	886	595	891	604	911	602	918	622	919	616	928		
0.13	0.21	0.10	0.17	0.08	0.14	0.07	0.13	0.06	0.11	0.06	0.11	0.05	0.10	0.05	0.09	0.04	0.08	0.04	0.07		
	0.33																				
	120/60																				
	ECM																				
	Ball																				
	Yes																				
	Sirocco																				
	Yes																				
	6																				
	10-1/2																				
	13																				
	N/A																				
	N/A																				
	N/A																				
	N/A																				
	N/A																				
	N/A																				
	N/A																				
	N/A																				
	N/A																				
	N/A*																				
	13.45																				
	Yes																				
	Yes																				
	Yes																				
	Yes																				



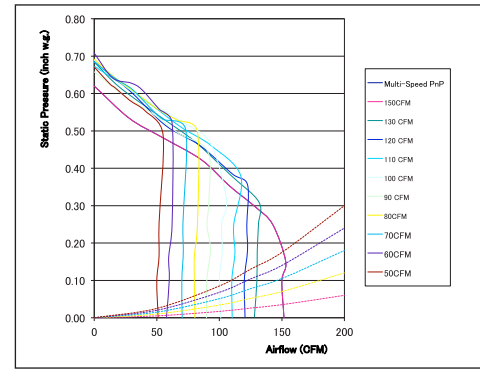
LED Lighting
 WhisperGreen Select™ fan/light models feature a contemporary flush mount grille that incorporates Two replaceable, ENERGY STAR® rated, 7W GU24 base LED lamps. Panasonic's advanced LED technology lasts 4 times longer than compact fluorescent lamps and does not contribute to mercury waste when disposed.



FV-05-11VKL1



FV-11-15VKL1

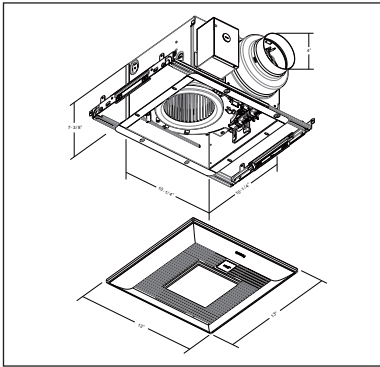


Specifications		WhisperGreen [®] Select [™] (Fan/LED Light Models)												WhisperGreen [®] Select [™] (Fan/LED Light Models)								
		Base Fan with LED Light												Base Fan with LED Light								
		FV-05-11VKL1						FV-11-15VKL1						FV-05-11VKL1				FV-11-15VKL1				
		0.1	0.25	0.1	0.25	0.1	0.25	0.1	0.25	0.1	0.25	0.1	0.25	0.1	0.25	0.1	0.25	0.1	0.25	0.1	0.25	
Characteristics (HVI tested data for 0.1" S.P.)	Static Pressure in inches w.g.	110	114	80	86	50	53	150	143	130	131	110	111	110	114	100	105	90	94	80	86	
	Air Volume (CFM)	0.4	0.9	<0.3	0.6	<0.3	<0.3	0.6	0.9	<0.3	0.8	<0.3	0.6	0.4	0.9	<0.3	0.8	<0.3	0.6	<0.3	0.6	
	Noise (sones)	11.1	18.0	6.0	11.1	4.0	7.0	16.5	24.0	12.0	21.0	8.5	16.0	11.1	17.6	8.7	15.0	7.0	12.8	5.8	11.1	
	Power Consumption (watts)	9.9	6.3	13.3	7.7	12.8	7.7	9.2	6.0	10.9	6.3	13.1	7.1	9.9	6.3	11.6	7.1	13.1	7.5	13.3	7.7	
	Energy Efficiency (CFM/Watt)	960	1237	837	1157	740	1081	730	941	679	926	652	914	960	1237	926	1213	872	1184	837	1157	
	Speed (RPM)	0.12	0.17	0.07	0.12	0.04	0.07	0.16	0.22	0.12	0.19	0.08	0.15	0.12	0.17	0.09	0.15	0.08	0.13	0.07	0.15	
	Current (amps)	0.42						0.48														
	MAX. Current (amps)	120/60						120/60														
Power Rating (V/Hz)	Motor Type		ECM						ECM													
Specifications	Type of Motor Bearing		Ball						Ball													
	Thermal Fuse Protection		Yes						Yes													
	Blower Wheel Type		Sirocco						Sirocco													
	ENERGY STAR Qualified		Yes						Yes													
Installation	Duct Diameter (Inches)		4 & 6						6													
	Mounting Opening (Inches sq.)		10-1/2						10-1/2													
	Grille Size (Inches sq.)		13						13													
Light Specifications	Lamp Watts		2 x 7W						2 x 7W													
	Lumens (lm)		550lm per lamp*						550lm per lamp*													
	Lumens Per Watt (LPW)		80LPW*						80LPW*													
	Color Rendering Index		>80						>80													
	Color Temperature (Kelvin)		3000K						3000K													
	Rated Life (hours)		40,000						40,000													
	Lamp Model #		LPHT7						LPHT7													
Type of Lamp Socket		GU24						GU24														
Night Light Specs	Night Light Watts		N/A**						N/A**													
Shipping	Gross Weight (lbs)		14.55						14.77													
Approved Code/ Standard/Regulation	UL tub/Shower Enclosure		Yes						Yes													
	Washington VIAQ Code		Yes						Yes													
	California Title 24 Compliant		Yes						Yes													
	Mfg in ISO 9001 Certified Facility		Yes						Yes													

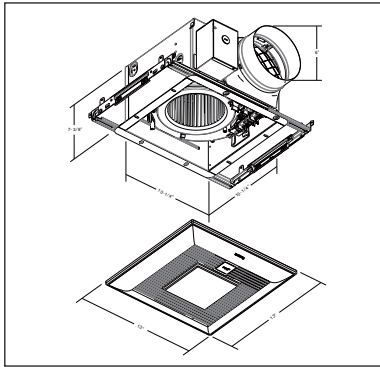
*Light specs may change. **Night Glo™ LED Night Light module is available.

NOTE: 0.25" w.g. = Installed Performance

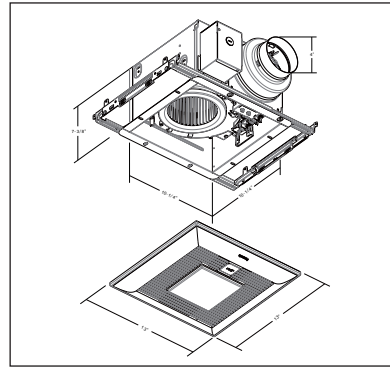
FV-05-11VKL1



FV-11-15VKL1



FV-05-11VKSL1



WhisperGreen® Select™ (Fan/LED Light Models)											
Base Fan with LED Light and Integrated Multi-Speed											
FV-05-11VKSL1											
1	0.25	0.1	0.25	0.1	0.25	0.1	0.25	0.1	0.25	0.1	0.25
1	86	70	71	60	62	50	53	40	43	30	35
3	0.5	<0.3	0.4	<0.3	0.3	<0.3	<0.3	<0.3	<0.3	<0.3	<0.3
3	11.1	4.7	8.9	3.9	7.6	3.2	6.6	2.8	5.7	2.5	5.0
3	7.7	15.3	8.2	15.9	8.4	12.8	7.7	14.6	7.7	12.8	7.4
7	1157	796	1119	769	1102	740	1081	739	1077	731	1058
7	0.12	0.05	0.09	0.05	0.08	0.04	0.07	0.04	0.06	0.03	0.06
0.42											
120/60											
ECM											
Ball											
Yes											
Sirocco											
Yes											
4 & 6											
10-1/2											
13											
2 x 7W											
550lm per lamp*											
80LPW*											
>80											
3000K											
40,000											
LPHT7											
GU24											
N/A**											
14.33											
Yes											
Yes											
Yes											
Yes											

WhisperGreen® Select™ (Fan/LED Light Models)																					
Base Fan with LED Light and Multi-Speed Plug 'N Play Module																					
FV-11-15VKL1 + FV-VS15VK1																					
0.1	0.25	0.1	0.25	0.1	0.25	0.1	0.25	0.1	0.25	0.1	0.25	0.1	0.25	0.1	0.25	0.1	0.25	0.1	0.25	0.1	0.25
150	143	130	131	120	122	110	111	100	102	90	90	80	82	70	71	60	62	50	52		
0.5	0.9	<0.3	0.8	<0.3	0.6	<0.3	0.6	<0.3	0.5	<0.3	0.4	<0.3	0.4	<0.3	0.3	<0.3	0.3	<0.3	0.3	<0.3	0.4
16.4	23.3	11.5	19.6	9.5	16.9	7.9	14.8	6.9	13.5	5.7	11.6	5.0	10.4	4.3	8.8	4.0	7.9	3.2	7.2		
9.2	6.0	10.9	6.3	12.8	7.3	13.1	7.1	14.8	7.7	16.0	7.8	16.0	7.9	16.3	8.1	15.5	8.1	16.3	7.5		
730	941	679	926	669	917	652	914	644	923	631	917	633	918	624	904	634	910	607	928		
0.16	0.22	0.12	0.19	0.10	0.17	0.08	0.15	0.07	0.14	0.06	0.12	0.06	0.11	0.05	0.09	0.05	0.08	0.04	0.08		
0.48																					
120/60																					
ECM																					
Ball																					
Yes																					
Sirocco																					
Yes																					
6																					
10-1/2																					
13																					
2 x 7W																					
550lm per lamp*																					
80LPW*																					
>80																					
3000K																					
40,000																					
LPHT7																					
GU24																					
N/A**																					
14.77																					
Yes																					
Yes																					
Yes																					
Yes																					



Scan code to view SelectCycler animation

Panasonic Eco Solutions of North America
 Eco Products Division
 Two Riverfront Plaza
 Newark, NJ 07102
us.panasonic.com/ventfans

For Order Information
 PHONE: 866-292-7299
 FAX: 888-553-0723
ventfans@us.panasonic.com