

Wide Mouth Aluminum Hood

Builder's Best, Inc.
 201 Broiles Drive • Jacksonville, TX 75766
 1-8-U VENT SAFE (1-888-368-7233) or 903-586-8283
 FAX 1-800-259-VENT (1-800-259-8368) or 903-586-9370
 Internet: www.buildersbest.com



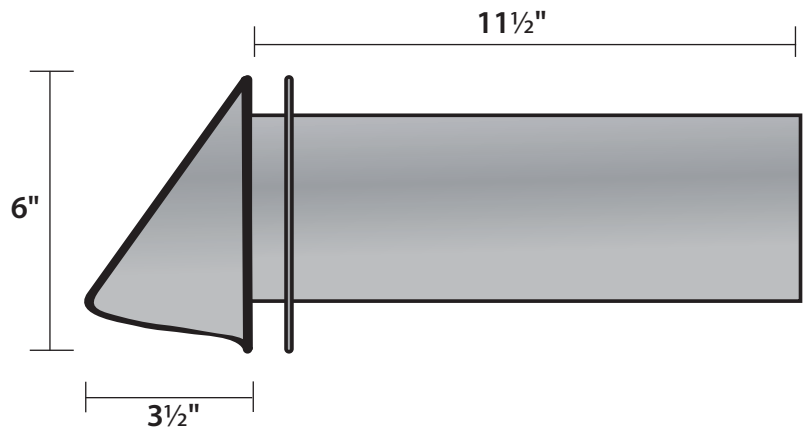
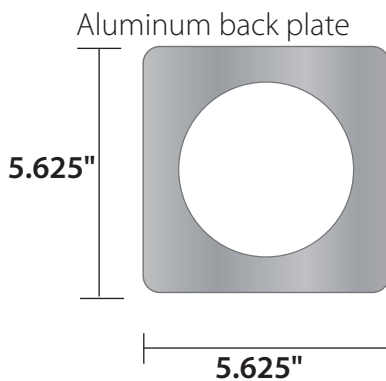
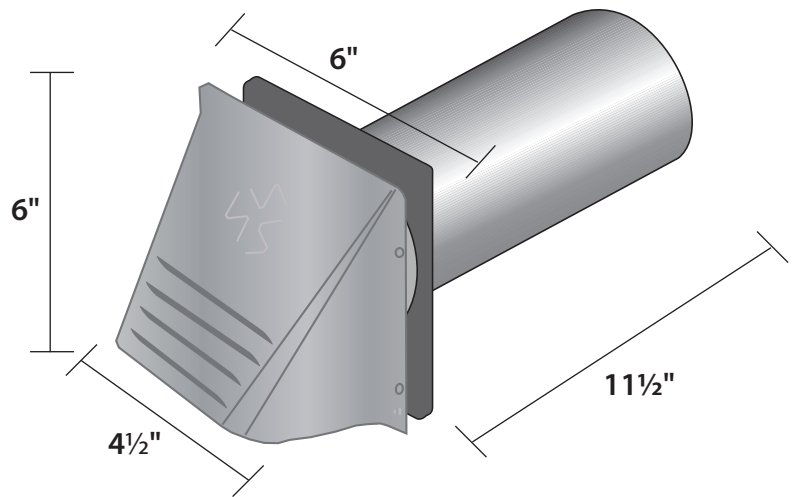
Product Specifications

- All aluminum construction
- Back-draft flapper
- Aluminum back plate
- 11½" fully assembled, riveted tailpipe
- Wide mouth for better airflow



Part Numbers

Diameter	Part #	Qty	Pkg	UPC
3"	110270	12	bulk	•
	110328	4	ind. box	•
4"	110170	6	Display tray	•
	110159	10	Display card	•
	110271	12	bulk	•
	110326	4	ind. box	•
With 4" tailpipe:				
4"	110791	18	bulk	
Faceplate only:				
4"	110557	24	bulk	
Faceplate with Flapper and				
Screen (no tailpipe):				
	110786	24	bulk	



Warranty

Manufacturer assumes no responsibility for failure due to improper installation.
 All specifications and designs are subject to change without notice and without incurring liability.

WARRANTY EXCLUSION AND DISCLAIMER Seller specifically excludes, and hereby disclaims any express representation or express warranty of any kind with respect to the goods ordered hereunder. All implied warranties, including without limitation merchantability or fitness for a particular purpose or arising from a course of dealing or usage or trade shall expire and cease 45 days after date of delivery. Seller shall not be liable to buyer or any third party for any special, secondary, incidental, or consequential damages however arising. Nothing in this provision shall invalidate or restrict any right or remedy otherwise available under state or federal law. Materials and specifications subject to change without notice.

MADE IN USA • 2/18/09 • wmalum_specsheetshoods • ©Builder's Best, Inc