



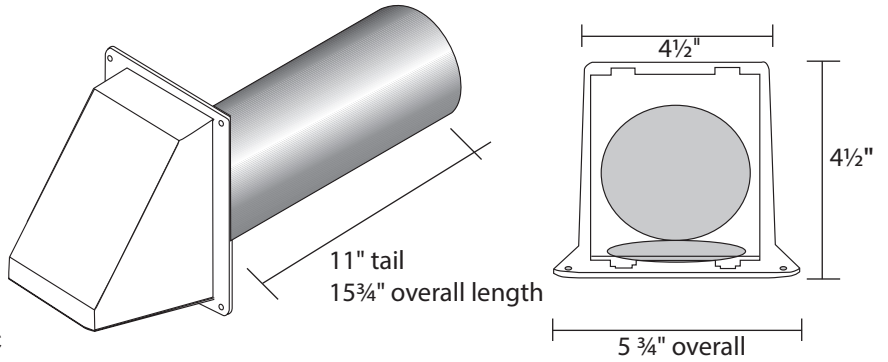
**Builder's Best, Inc.**  
 201 Broiles Drive  
 Jacksonville, TX 75766  
 903-586-8283  
 fax: 903-586-9370  
 www.BuildersBest.com

# Wide Mouth Plastic Hood



## Product Specifications

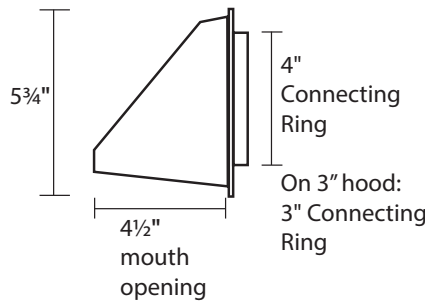
- Polypropylene molded plastic
- Free swinging back draft flapper
- Aluminum trim plate
- Aluminum tailpipe
- 4 mounting holes
- Fully Assembled



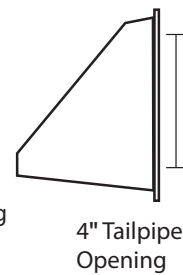
## Part Numbers

Diameter	Color	Part #	Qty	Package	UPC
3"	White	111243	8	bulk	
	Brown	111378	8	bulk	
4"	<b>White</b>	<b>010179</b>	<b>6</b>	<b>Display Tray</b>	•
	<b>White</b>	<b>110164</b>	<b>8</b>	<b>Display Card</b>	•
	White	110113	8	bulk	•
	White	110330	4	ind. box	•
	<b>Brown</b>	<b>110410</b>	<b>8</b>	<b>Display Card</b>	•
	<b>Brown</b>	<b>110177</b>	<b>6</b>	<b>Display Tray</b>	•
	Brown	110284	8	bulk	•
	Brown	110332	4	ind. box	•
Faceplate with ring:					
3"	White	111373	8	bulk	
	Brown	111374	8	bulk	
4"	White	110119	8	bulk	
	Brown	110285	8	bulk	
Faceplate for flush installation (no ring):					
4"	White	110766	8	bulk	
	Brown	110767	8	bulk	

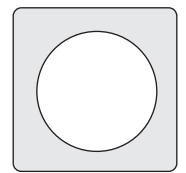
With Connecting Ring



Flush (faceplate only)



Aluminum Trim Plate



5 5/8" x 5 5/8" square  
 4" hood has 4" diameter hole

3" hood has 3" diameter hole

## Labels



## Warranty

Manufacturer assumes no responsibility for failure due to improper installation. All specifications and designs are subject to change without notice and without incurring liability.

**WARRANTY EXCLUSION AND DISCLAIMER** Seller specifically excludes, and hereby disclaims any express representation or express warranty of any kind with respect to the goods ordered hereunder. All implied warranties, including without limitation merchantability or fitness for a particular purpose or arising from a course of dealing or usage or trade shall expire and cease 45 days after date of delivery. Seller shall not be liable to buyer or any third party for any special, secondary, incidental, or consequential damages however arising. Nothing in this provision shall invalidate or restrict any right or remedy otherwise available under state or federal law. Materials and specifications subject to change without notice.