

MANUFACTURED FOR: MITSUBISHI ELECTRIC US, INC.

Wind Baffle WB-PA2

for use with:

PUY/Z-A24/30/36NHA4/NHA6; PUY/Z-A42NHA4/NHA5
PUZ-HA30/36NA4; PUMY-P36/48NHMU
Outdoor Units

INSTALLATION MANUAL

FOR INSTALLER

For safe and correct use, please read this installation manual thoroughly before installing the advanced wind baffles.

English

⚠ WARNING! MOVING PARTS. INCORRECT HANDLING COULD LEAD TO DEATH OR INJURY!

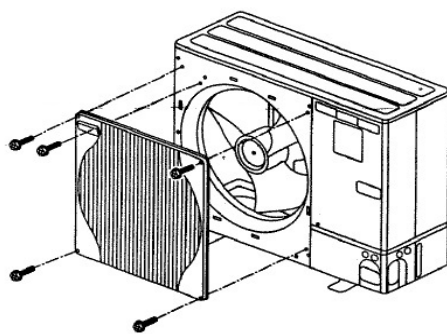
IMPORTANT! Outdoor Unit should be installed with back coil surface facing a wall or oriented so the wind does NOT blow directly on to the back coil surface. Do not install this product where there is any obstacle at either side or above the outdoor unit. If the discharge air is obstructed the air may be short cycled.

STEPS:

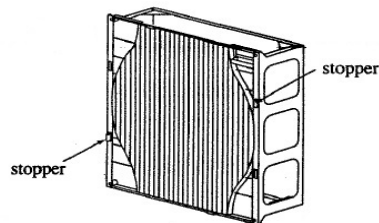
1. Remove 5 screws holding fan guard in place.
2. Slide fan guard into wind baffle lining up the stopper tabs.
3. Position wind baffle/fan guard and line up with pre-punched holes.
4. Install all 5 screws and tighten securely. Repeat with all baffles.

ENSURE BAFFLE OUTLETS WILL NOT BE BLOCKED OR OBSTRUCTED !

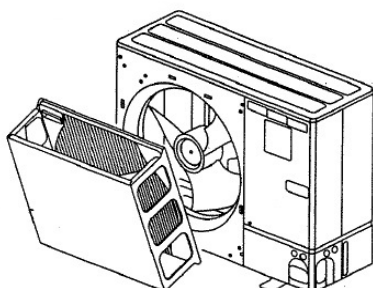
Note: When two fan outdoor unit is used, two wind baffles are required.
Install lower baffle first for easier installation.



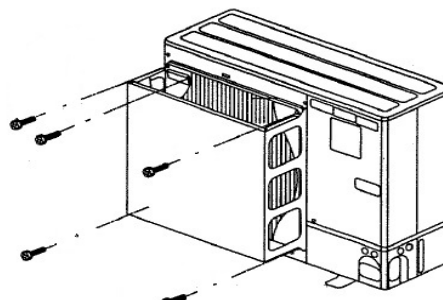
STEP 1



STEP 2



STEP 3



STEP 4

This product is designed and intended for use in commercial and light-industrial environment.

Please be sure to put the contact address/telephone number on this manual before handing it to the customer.

Manufactured for MITSUBISHI ELECTRIC US, INC.

www.mitsubishielectric-usa.com

Toll Free: 800-433-4822