



**M-SERIES**

Air Conditioners

**SVZ-KP12, 18, 24, 30, 36 NA**

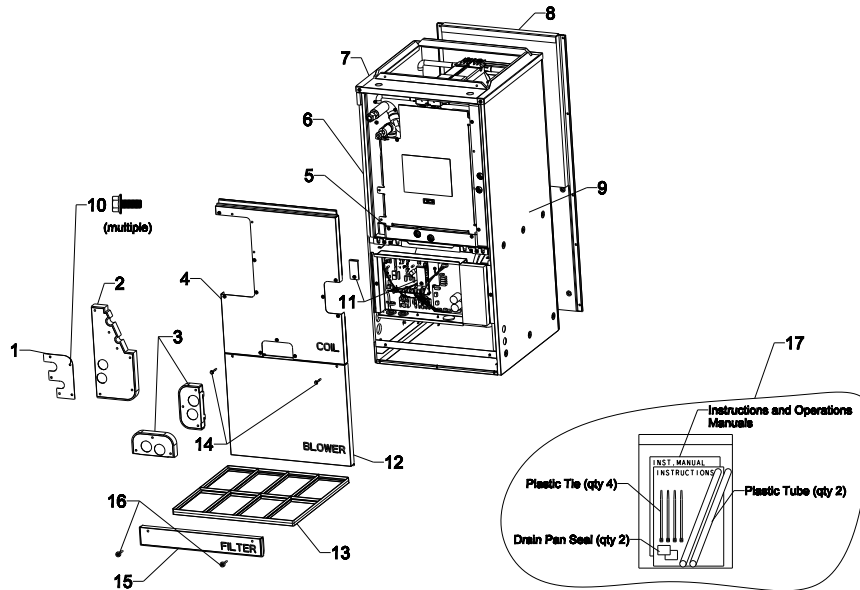
---

SERVICE PARTS MANUAL

## Table of Contents

1. EXTERNAL PARTS .....	3
2. HEX ASSEMBLY PARTS .....	4
3. BLOWER PARTS .....	5
4. CONTROL BOX PARTS .....	6

# 1. EXTERNAL PARTS

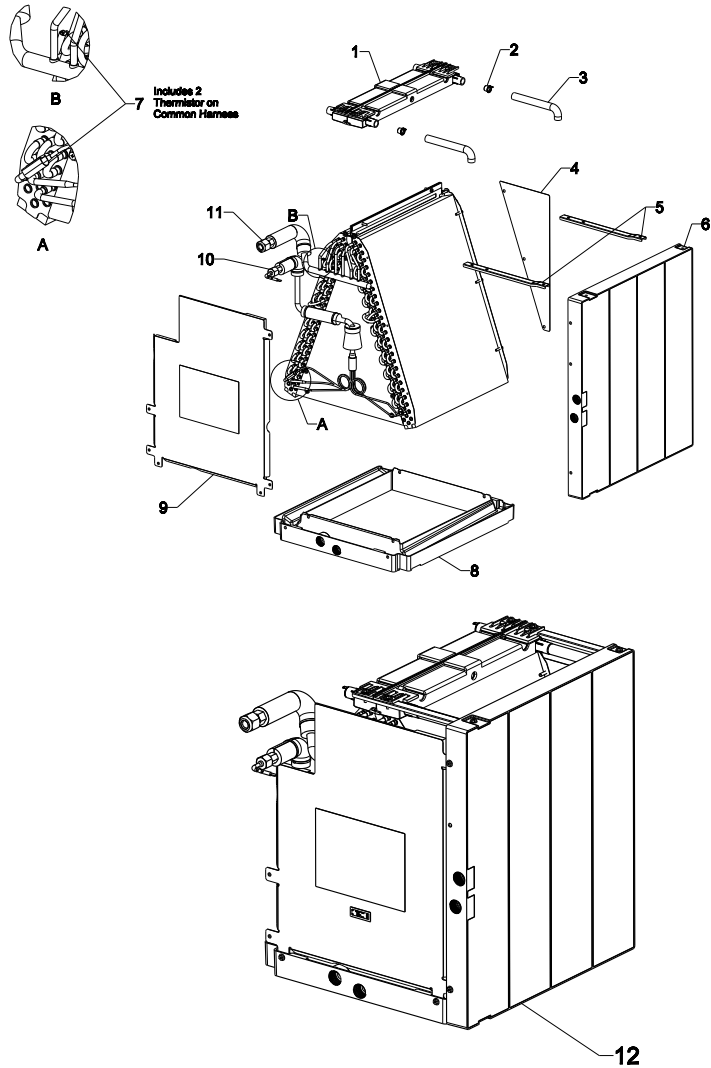


No.	Service Part No.	Part Name	Symbol in Wiring Diagram	Quantity per unit					Remarks
				SVZ-KP					
				12NA	18NA	24NA	30NA	36NA	
1	U41 007 635	PIPE PANEL		1	1	1	1	1	
2	U41 006 635	PIPE/DRAIN PANEL S		1	1	1			
	U41 009 635	PIPE/DRAIN PANEL M					1	1	
3	U41 008 635	DRAIN PANEL		2	2	2	2	2	
4	U41 004 639	FRONT PANEL HEX S		1	1	1			
	U41 005 639	FRONT PANEL HEX M					1	1	
5	U41 008 087	SCREW H 5X10 KNURLED		28	28	28	29	29	pack of 10 screws
	U41 004 641	CABINET LEFT S	CN44	1	1	1			*
U41 005 641	CABINET LEFT M					1	1		
7	U41 004 643	TOP PANEL S		1	1	1			
	U41 005 643	TOP PANEL M					1	1	
8	U41 004 640	CABINET BACK S		1	1	1			
	U41 005 640	CABINET BACK M					1	1	
9	U41 004 642	CABINET RIGHT S	CN24	1	1	1			**
	U41 005 642	CABINET RIGHT M					1	1	
10	U41 009 087	SCREW M5X12 BLACK		46	46	46	46	46	pack of 10 screws
11	U41 001 086	COIL BRACKET		1	1	1	2	2	
	U41 004 637	FRONT PANEL BLOWER S		1	1	1			
12	U41 005 637	FRONT PANEL BLOWER M					1	1	
	U41 004 500	FILTER-PLASTIC S		1	1	1			16x20
13	U41 005 500	FILTER-PLASTIC M					1	1	20x20
	U41 002 087	SCREW M5X40		2	2	2	2	2	
14	U41 004 636	FRONT PANEL FILTER S		1	1	1			
	U41 005 636	FRONT PANEL FILTER M					1	1	
15	U41 001 087	PLASTIC THUMBSCREW		2	2	2	2	2	M5X35
16	U41 001 818	ACCESSORY BAG, SVZ		1	1	1	1	1	

\* The liquid/gas thermistor adapter harness is pre-installed in the Cabinet Left panel. See HEX Parts section for thermistor assy and Control Box parts for adapter harness.

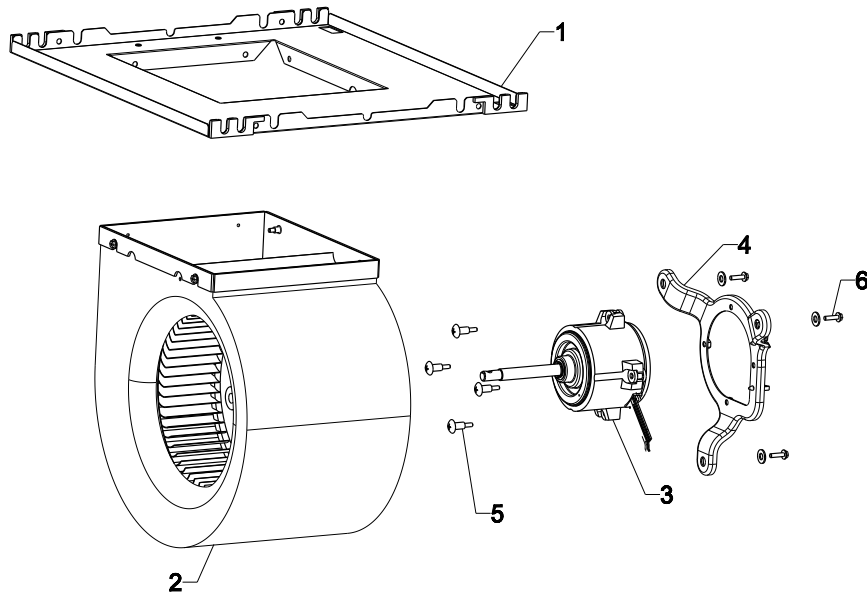
\*\* The electric heater wire harness is pre-installed in the Cabinet Right panel.

## 2. HEX ASSEMBLY PARTS



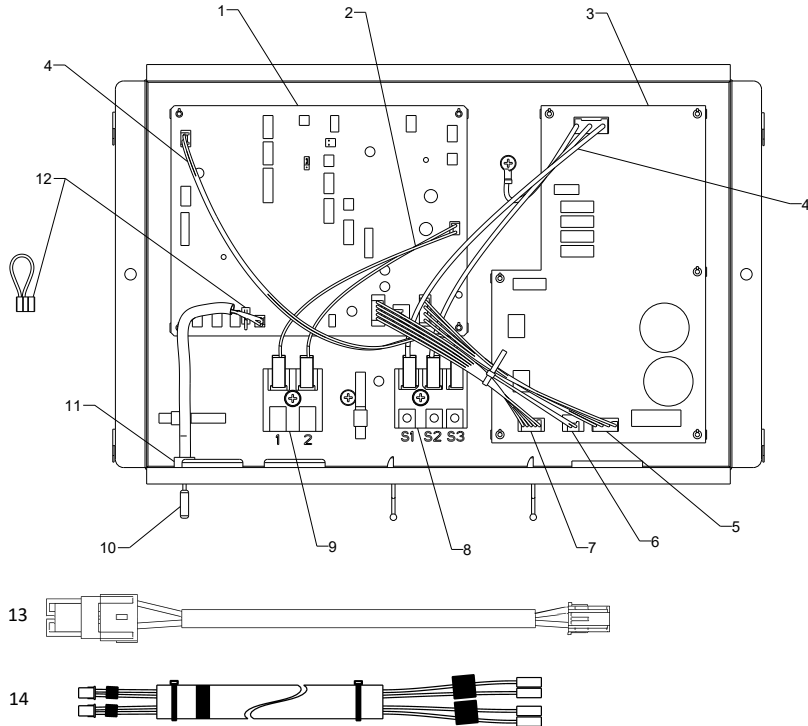
No.	Service Part No.	Part Name	Symbol in Wiring Diagram	Quantity per unit					Remarks
				SVZ-KP					
				12NA	18NA	24NA	30NA	36NA	
1	U41 012 529	DRAIN PAN ASSY TOP		2	2	2	2	2	
2	U41 002 558	PLUG-TOP DRAIN PAN		4	4	4	4	4	
3	U41 001 525	HOSE-TOP DRAIN PAN		2	2	2	2	2	
4	U41 001 668	PLATE GUIDE REAR S		1	1	1			
	U41 002 668	PLATE GUIDE REAR M					1	1	
5	U41 001 662	SIDE PAN BRACKET S		2	2	2			
	U41 002 662	SIDE PAN BRACKET M					2	2	
6	U41 009 529	DRAIN PAN ASSY SIDE S		1	1	1			
	U41 010 529	DRAIN PAN ASSY SIDE M					1	1	
7	U41 006 200	THERMISTOR LIQUID/GAS PIPE SENSOR ASSY	(CN44)	1	1	1			TH2/TH5 Connects to CN44 via adapter harness in Cabinet Left panel. See Control Box Parts for Adapter Harness
	U41 008 200	THERMISTOR LIQUID/GAS PIPE SENSOR ASSY					1	1	
8	U41 006 529	DRAIN PAN ASSY LOWER S		1	1	1			
	U41 007 529	DRAIN PAN ASSY LOWER M					1	1	
9	U41 004 668	PLATE GUIDE FRONT S		1	1	1			
	U41 005 668	PLATE GUIDE FRONT M					1	1	
10	U41 002 122	NUT FLARE 3/8				1	1	1	
	U41 004 122	NUT FLARE 1/4		1	1				
11	U41 002 122	NUT FLARE 3/8		1					
	U41 003 122	NUT FLARE 1/2F			1				
	U41 001 122	NUT FLARE 5/8				1	1	1	
12	U41 026 480	HEAT EXCHANGER KP12		1					Includes all HEX parts
	U41 027 480	HEAT EXCHANGER KP18			1				Includes all HEX parts
	U41 028 480	HEAT EXCHANGER KP24				1			Includes all HEX parts
	U41 029 480	HEAT EXCHANGER KP30					1	1	Includes all HEX parts

# 3. BLOWER PARTS



No.	Service Part No.	Part Name	Symbol in Wiring Diagram	Quantity per unit					Remarks
				SVZ-KP					
				12NA	18NA	24NA	30NA	36NA	
1	U41 015 638	FRAME FAN INS S		1	1	1			
	U41 016 638	FRAME FAN INS M					1	1	
2	U41 005 129	FAN CASE S		1	1	1			
	U41 006 129	FAN CASE M					1	1	
3	U41 005 220	BLOWER MOTOR S	CNMF	1	1	1			MS (FAN MOTOR)
	U41 006 220	BLOWER MOTOR M					1	1	
4	U41 001 130	MOTOR BRACKET S M		1	1	1	1	1	
5	U41 005 087	BOLT MOTOR (S, M)		4	4	4	4	4	
6	U41 003 130	MOTOR BRACKET BOLT KIT		3	3	3	3	3	

# 4. CONTROL BOX PARTS



No.	Service Part No.	Part Name	Symbol in Wiring Diagram	Quantity per unit SVZ-KP					Remarks
				12NA	18NA	24NA	30NA	36NA	
1	U41 008 281	CONTROL BOARD		1	1	1	1	1	Includes jumper connector
2	U41 001 392	LEAD WIRE ASSY CN22	CN22	1	1	1	1	1	Connects to Terminal Block; 1, 2
3	U41 005 280	POWER BOARD		1	1	1			
	U41 010 280	POWER BOARD					1	1	
4	U41 002 392	LEAD WIRE ASSY CND	CND & CN3C	1	1	1	1	1	Connects to Terminal Block; S1, S2, S3
5	U71 019 392	LEAD WIRE ASSY XA	CNXA2	1	1	1	1	1	to CNXA1 on P. B.
6	U71 020 392	LEAD WIRE ASSY XC	CNXC2	1	1	1	1	1	to CNXC1 on P. B.
7	U41 003 392	LEAD WIRE ASSY XB	CNXB2	1	1	1	1	1	to CNXB1 on P. B.
8	U41 004 246	TERMINAL BLOCK ASSY	TB4	1	1	1	1	1	S1, S2, S3
9	U41 003 246	TERMINAL BLOCK	TB15	1	1	1	1	1	1, 2
10	U41 007 200	THERMISTOR RETURN AIR TEMP.	CN20	1	1	1	1	1	TH1
11	U41 002 104	BUSHING SRB-R-2		1	1	1	1	1	
12	U41 001 G08	JUMPER CONNECTOR	CN4F	1	1	1	1	1	
13	U41 033 392	LIQUID/GAS THERMISTOR ADAPTER HARNESS KIT	CN44	1	1	1	1	1	Does <b>not</b> include the thermistor assembly: THERMISTOR RETURN AIR TEMP  Harness also pre-installed in Cabinet Left Panel. See External parts
14	U41 031 392	ELECTRIC HEATER WIRE HARNESS KIT	CN24	1	1	1	1	1	Harness also pre-installed in Cabinet Left Panel. See External parts

---

This product is designed and intended for use in the residential, commercial and light-industrial environment.

**mitsubishi** **MITSUBISHI ELECTRIC US, INC.**

[www.mitsubishielectric-usa.com](http://www.mitsubishielectric-usa.com)

Toll Free: 800-433-4822