



# PARTS CATALOG

## R410A

Outdoor unit

[Model Name]

[Service Ref.]

SUZ-KA09NA

**SUZ-KA09NAR1.TH**

**SUZ-KA09NAR1.TH H**

SUZ-KA12NA

**SUZ-KA12NAR1.TH**

**SUZ-KA12NAR1.TH H**

SUZ-KA15NA

**SUZ-KA15NAR1.TH**

**SUZ-KA15NAR1.TH H**

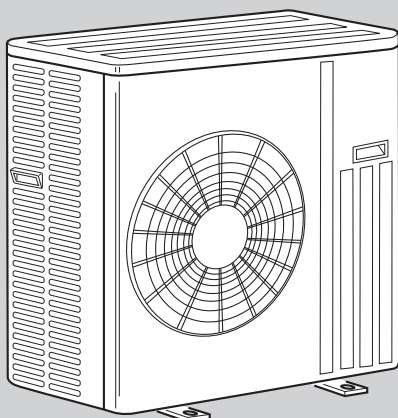
SUZ-KA18NA

**SUZ-KA18NAR1.TH**

**SUZ-KA18NAR1.TH H**

Note:

- RoHS compliant products have <G> mark on the spec name plate.



**SUZ-KA18NAR1.TH**

**SUZ-KA18NAR1.TH H**

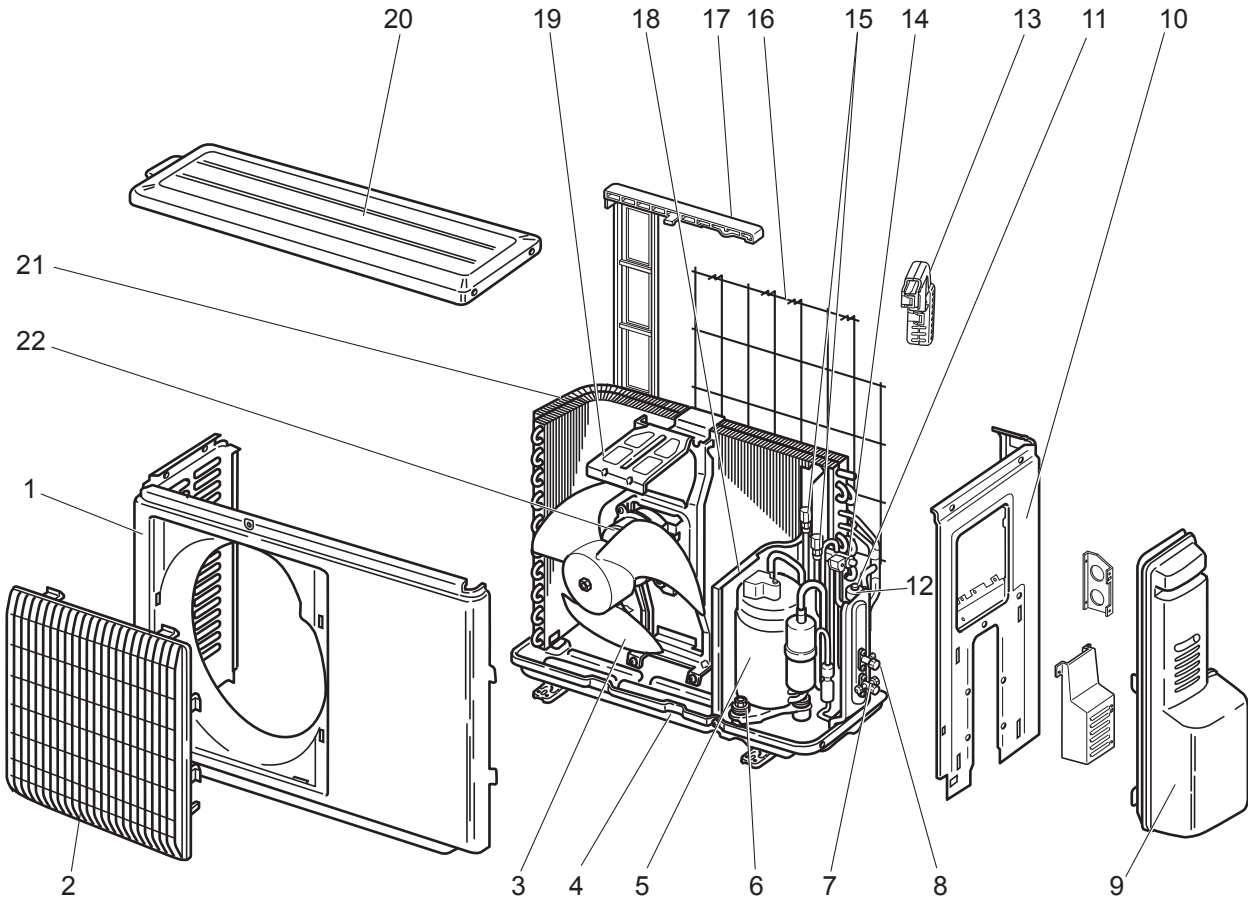
## CONTENTS

1. RoHS PARTS LIST.....2
2. OPTIONAL PARTS.....8

**SERVICE MANUAL (TCH022)**

SUZ-KA09NAR1.TH      SUZ-KA09NAR1.TH H  
 SUZ-KA12NART.TH      SUZ-KA12NAR1.TH H  
 SUZ-KA15NAR1.TH      SUZ-KA15NAR1.TH H

1-1. OUTDOOR UNIT STRUCTURAL PARTS AND FUNCTIONAL PARTS



# RoHS PARTS LIST

## 1-1. OUTDOOR UNIT STRUCTURAL PARTS AND FUNCTIONAL PARTS

Part numbers that are circled are not shown in the illustration.

No.	RoHS	Parts No.	Parts name	Symbol in Wiring Diagram	Q'ty/unit			Remarks
					SUZ-KA·NAR1.TH			
					09	12	15	
1	G	E12 927 232	CABINET		1	1	1	
2	G	E12 927 521	GRILLE		1	1	1	
3	G	E12 927 501	PROPELLER FAN		1	1	1	
4	G	E12 A82 290	BASE		1	1	1	
5	G	E12 E79 900	COMPRESSOR	MC	1			KNB073FQDHC
	G	E12 E80 900	COMPRESSOR	MC		1		KNB092FQAHC
	G	E12 E34 900	COMPRESSOR	MC			1	SNB130FQBH
6	G	E12 C34 506	COMPRESSOR RUBBER SET				3	3RUBBERS/SET
	G	E12 065 506	COMPRESSOR RUBBER SET		3	3		3RUBBERS/SET
7	G	E12 A54 661	STOP VALVE (GAS) (ø9.52)		1	1		ø3/8
	G	E12 A56 661	STOP VALVE (GAS) (ø12.7)				1	ø1/2
8	G	E12 T95 662	STOP VALVE (LIQUID) (ø6.35)		1	1	1	ø1/4
9	G	E12 A49 245	SERVICE PANEL		1	1	1	
10	G	E12 E79 233	BACK PANEL		1	1	1	
11	G	E12 A54 640	EXPANSION VALVE				1	
	G	E12 927 640	EXPANSION VALVE		1	1		
12	G	E12 927 493	EXPANSION VALVE COIL	LEV	1	1	1	
13	G	E12 928 079	THERMO HOLDER		1			
	G	E12 930 079	THERMO HOLDER			1	1	
14	G	E12 A54 961	4-WAY VALVE		1	1	1	
15	G	E12 E79 641	SERVICE PORT		2	2	2	
16	G	E12 928 523	CONDENSER NET		1			
	G	E12 930 523	CONDENSER NET			1	1	
17	G	E12 928 525	CONDENSER WIRE NET		1			
	G	E12 930 525	CONDENSER WIRE NET			1	1	
18	G	E12 C34 293	SEPARATOR			1	1	
	G	E12 D69 293	SEPARATOR		1			
19	G	E12 929 515	MOTOR SUPPORT			1	1	
	G	E12 927 515	MOTOR SUPPORT		1			
20	G	E12 927 297	TOP PANEL		1	1	1	
21	G	E12 N09 630	OUTDOOR HEAT EXCHANGER		1			
	G	E12 N10 630	OUTDOOR HEAT EXCHANGER			1	1	
22	G	E12 E79 301	OUTDOOR FAN MOTOR	MF	1	1	1	RC0J50-□ □
23	G	E12 927 937	CAPILLARY TUBE (ø3.0×ø2.0×240)		1	1	1	O.D. 0.118 × I.D. 0.079 × 9-7/16
24	G	E12 735 936	CAPILLARY TUBE (ø3.0×ø1.8×600)			2	2	O.D. 0.118 × I.D. 0.071 × 23-5/8

# RoHS PARTS LIST

## 1-1. OUTDOOR UNIT STRUCTURAL PARTS AND FUNCTIONAL PARTS

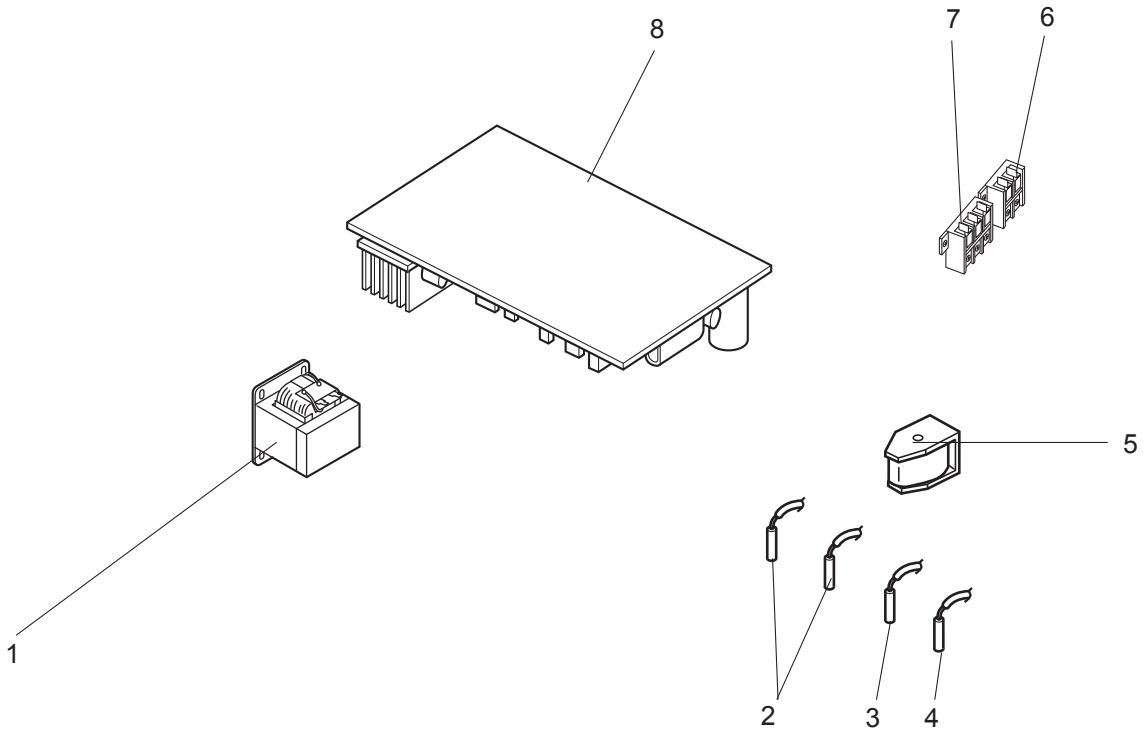
Part numbers that are circled are not shown in the illustration.

No.	RoHS	Parts No.	Parts name	Symbol in Wiring Diagram	Q'ty/unit			Remarks
					SUZ-KA-NAR1.TH H			
					09	12	15	
1	G	E12 927 232	CABINET		1	1	1	
2	G	E12 927 521	GRILLE		1	1	1	
3	G	E12 927 501	PROPELLER FAN		1	1	1	
4	G	E12 G67 290	BASE		1	1		
	G	E12 G68 290	BASE				1	
5	G	E12 E79 900	COMPRESSOR	MC	1			KNB073FQDHC
	G	E12 E80 900	COMPRESSOR	MC		1		KNB092FQAHC
	G	E12 E34 900	COMPRESSOR	MC			1	SNB130FQBH
6	G	E12 C34 506	COMPRESSOR RUBBER SET				3	3RUBBERS/SET
	G	E12 065 506	COMPRESSOR RUBBER SET		3	3		3RUBBERS/SET
7	G	E12 A54 661	STOP VALVE (GAS) (ø9.52)		1	1		ø3/8
	G	E12 A56 661	STOP VALVE (GAS) (ø12.7)				1	ø1/2
8	G	E12 T95 662	STOP VALVE (LIQUID) (ø6.35)		1	1	1	ø1/4
9	G	E12 A49 245	SERVICE PANEL		1	1	1	
10	G	E12 E79 233	BACK PANEL		1	1	1	
11	G	E12 A54 640	EXPANSION VALVE				1	
	G	E12 927 640	EXPANSION VALVE		1	1		
12	G	E12 927 493	EXPANSION VALVE COIL	LEV	1	1	1	
13	G	E12 928 079	THERMO HOLDER		1			
	G	E12 930 079	THERMO HOLDER			1	1	
14	G	E12 A54 961	4-WAY VALVE		1	1	1	
15	G	E12 E79 641	SERVICE PORT		2	2	2	
16	G	E12 928 523	CONDENSER NET		1			
	G	E12 930 523	CONDENSER NET			1	1	
17	G	E12 928 525	CONDENSER WIRE NET		1			
	G	E12 930 525	CONDENSER WIRE NET			1	1	
18	G	E12 C36 293	SEPARATOR			1	1	
	G	E12 D77 293	SEPARATOR		1			
19	G	E12 929 515	MOTOR SUPPORT			1	1	
	G	E12 927 515	MOTOR SUPPORT		1			
20	G	E12 927 297	TOP PANEL		1	1	1	
21	G	E12 N09 630	OUTDOOR HEAT EXCHANGER		1			
	G	E12 N10 630	OUTDOOR HEAT EXCHANGER			1	1	
22	G	E12 E79 301	OUTDOOR FAN MOTOR	MF	1	1	1	RC0J50-□ □
23	G	E12 927 937	CAPILLARY TUBE (ø3.0×ø2.0×240)		1	1	1	O.D. 0.118 × I.D. 0.079 × 9-7/16
24	G	E12 735 936	CAPILLARY TUBE (ø3.0×ø1.8×600)			2	2	O.D. 0.118 × I.D. 0.071 × 23-5/8
25	G	E12 C36 381	HEATER PROTECTOR		1	1	1	
26	G	E12 C36 526	DEFROST HEATER		1	1	1	

# RoHS PARTS LIST

SUZ-KA09NAR1.TH      SUZ-KA09NAR1.TH H  
SUZ-KA12NAR1.TH      SUZ-KA12NAR1.TH H  
SUZ-KA15NAR1.TH      SUZ-KA15NAR1.TH H

## 1-2. OUTDOOR UNIT ELECTRICAL PARTS



# RoHS PARTS LIST

## 1-2. OUTDOOR UNIT ELECTRICAL PARTS

Part numbers that are circled are not shown in the illustration.

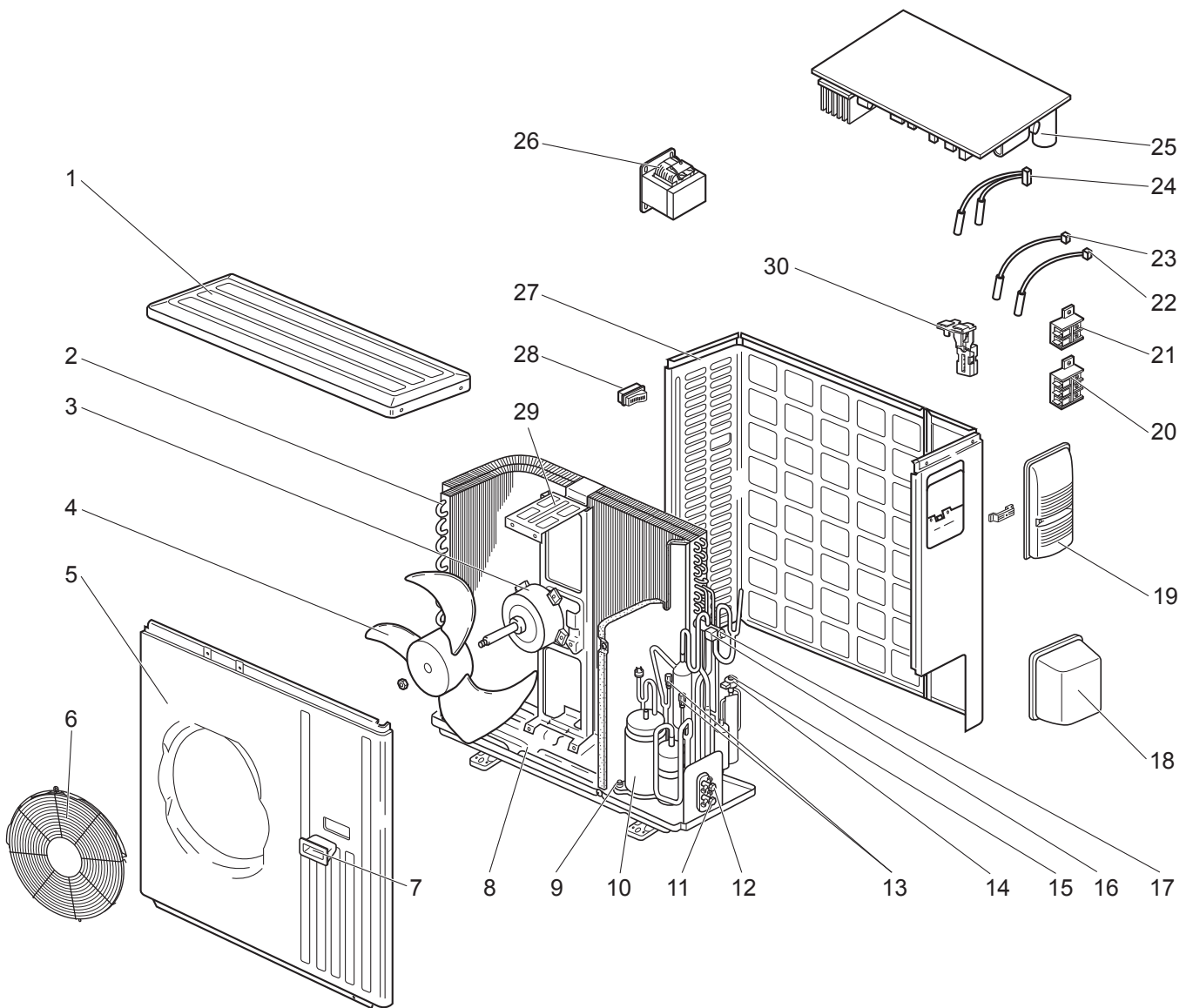
No.	RoHS	Parts No.	Parts name	Symbol in Wiring Diagram	Q'ty/unit			Remarks
					SUZ-KA-NAR1.TH			
					09	12	15	
1	G	E12 838 337	REACTOR	L61		1	1	
	G	E12 B72 337	REACTOR	L61	1			
2	G	E12 C34 306	THERMISTOR SET	RT61,RT62	1	1	1	DEFROST, DISCHARGE
3	G	E12 927 308	AMBIENT TEMPERATURE THERMISTOR	RT65	1	1	1	
4	G	E12 C34 307	OUTDOOR HEAT EXCHANGER TEMPERATURE THERMISTOR	RT68	1	1	1	
5	G	E12 C85 490	R.V. COIL	21S4	1	1	1	
6	G	E12 A53 374	TERMINAL BLOCK	TB1	1	1	1	2P (L1, L2)
7	G	E12 927 374	TERMINAL BLOCK	TB2	1	1	1	3P (S1, S2, S3)
8	G	E17 J72 451	INVERTER P.C. BOARD		1			Including heat sink and RT64
	G	E17 J73 451	INVERTER P.C. BOARD			1		
	G	E17 J74 451	INVERTER P.C. BOARD				1	
9	G	E12 784 382	FUSE	F701,F801,F901	1	1	1	T3.15AL250V
10	G	E12 661 385	VARISTOR	NR61-64	1	1	1	

# RoHS PARTS LIST

SUZ-KA18NAR1.TH

SUZ-KA18NAR1.TH H

## 1-3. OUTDOOR UNIT STRUCTURAL PARTS, ELECTRICAL PARTS AND FUNCTIONAL PARTS



# RoHS PARTS LIST

## 1-3. OUTDOOR UNIT STRUCTURAL PARTS, ELECTRICAL PARTS AND FUNCTIONAL PARTS

Part numbers that are circled are not shown in the illustration.

No.	RoHS	Parts No.	Parts Name	Symbol in Wiring Diagram	Q'ty/unit	Remarks
					SUZ-KA18NAR1.TH	
1	G	E12 819 297	TOP PANEL		1	
2	G	E12 E82 630	OUTDOOR HEAT EXCHANGER		1	
3	G	E12 E34 301	OUTDOOR FAN MOTOR	MF	1	RC0J77-□□
4	G	E12 851 501	PROPELLER FAN		1	
5	G	E12 819 232	CABINET		1	
6	G	E12 D84 521	FAN GUARD		1	
7	G	E12 819 009	HANDLE		1	
8	G	E12 D86 290	BASE		1	
9	G	E12 C34 506	COMPRESSOR RUBBER SET		3	3RUBBERS/SET
10	G	E12 E34 900	COMPRESSOR	MC	1	SNB130FQBH
11	G	E12 E90 661	STOP VALVE (GAS) (ø12.7)		1	ø1/2
12	G	E12 T95 662	STOP VALVE (LIQUID) (ø6.35)		1	ø1/4
13	G	E12 E79 641	SERVICE PORT		2	
14	G	E12 E05 493	EXPANSION VALVE COIL	LEV	1	
15	G	E12 851 640	EXPANSION VALVE		1	
16	G	E12 E82 490	R.V. COIL	21S4	1	
17	G	E12 A56 961	4-WAY VALVE		1	
18	G	E12 819 650	VALVE COVER		1	
19	G	E12 E82 245	SERVICE PANEL		1	
20	G	E12 935 374	TERMINAL BLOCK	TB2	1	3 P (S1, S2, S3)
21	G	E12 A54 374	TERMINAL BLOCK	TB1	1	2 P (L1, L2)
22	G	E12 E05 307	OUTDOOR HEAT EXCHANGER TEMP. THERMISTOR	RT68	1	
23	G	E12 D58 309	AMBIENT TEMPERATURE THERMISTOR	RT65	1	
24	G	E12 E05 308	THERMISTOR SET	RT61,RT62	1	DEFROST, DISCHARGE
25	G	E17 J75 451	INVERTER P.C. BOARD		1	Including heat sink and RT64
26	G	E12 D58 337	REACTOR	L61	1	
27	G	E12 E82 233	BACK PANEL (OUT)		1	
28	G	E12 817 009	HANDLE		1	
29	G	E12 851 515	MOTOR SUPPORT		1	
30	G	E12 E82 079	THERMO HOLDER		1	
31	G	E12 784 382	FUSE	F701, F801, F901	1	T3.15AL250V
32	G	E12 661 385	VARISTOR	NR61-64	1	
33	G	E12 853 936	CAPILLARY TUBE (ø3.6×ø2.4×50)		1	O.D. 0.142 × I.D. 0.094 × 1-31/32



# RoHS PARTS LIST

## 1-3. OUTDOOR UNIT STRUCTURAL PARTS, ELECTRICAL PARTS AND FUNCTIONAL PARTS

Part numbers that are circled are not shown in the illustration.

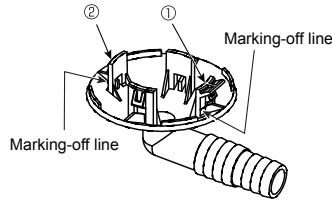
No.	RoHS	Parts No.	Parts Name	Symbol in Wiring Diagram	Q'ty/unit	Remarks
					SUZ-KA18NAR1.TH H	
1	G	E12 819 297	TOP PANEL		1	
2	G	E12 E82 630	OUTDOOR HEAT EXCHANGER		1	
3	G	E12 E34 301	OUTDOOR FAN MOTOR	MF	1	RC0J77-□□
4	G	E12 851 501	PROPELLER FAN		1	
5	G	E12 819 232	CABINET		1	
6	G	E12 D84 521	FAN GUARD		1	
7	G	E12 819 009	HANDLE		1	
8	G	E12 D84 290	BASE		1	
9	G	E12 C34 506	COMPRESSOR RUBBER SET		3	3RUBBERS/SET
10	G	E12 E34 900	COMPRESSOR	MC	1	SNB130FQBH
11	G	E12 E90 661	STOP VALVE (GAS) (ø12.7)		1	ø1/2
12	G	E12 T95 662	STOP VALVE (LIQUID) (ø6.35)		1	ø1/4
13	G	E12 E79 641	SERVICE PORT		2	
14	G	E12 E05 493	EXPANSION VALVE COIL	LEV	1	
15	G	E12 851 640	EXPANSION VALVE		1	
16	G	E12 E82 490	R.V. COIL	21S4	1	
17	G	E12 A56 961	4-WAY VALVE		1	
18	G	E12 819 650	VALVE COVER		1	
19	G	E12 E82 245	SERVICE PANEL		1	
20	G	E12 935 374	TERMINAL BLOCK	TB2	1	3 P (S1, S2, S3)
21	G	E12 A54 374	TERMINAL BLOCK	TB1	1	2 P (L1, L2)
22	G	E12 E05 307	OUTDOOR HEAT EXCHANGER TEMP. THERMISTOR	RT68	1	
23	G	E12 D58 309	AMBIENT TEMPERATURE THERMISTOR	RT65	1	
24	G	E12 E05 308	THERMISTOR SET	RT61,RT62	1	DEFROST, DISCHARGE
25	G	E17 J75 451	INVERTER P.C. BOARD		1	Including heat sink and RT64
26	G	E12 D58 337	REACTOR	L61	1	
27	G	E12 E82 233	BACK PANEL (OUT)		1	
28	G	E12 817 009	HANDLE		1	
29	G	E12 851 515	MOTOR SUPPORT		1	
30	G	E12 E82 079	THERMO HOLDER		1	
31	G	E12 784 382	FUSE	F701, F801, F901	1	T3.15AL250V
32	G	E12 661 385	VARISTOR	NR61-64	1	
33	G	E12 853 936	CAPILLARY TUBE (ø3.6×ø2.4×50)		1	O.D. 0.142 × I.D. 0.094 × 1-31/32
34	G	E12 E05 381	HEATER PROTECTOR		1	
35	G	E12 E05 526	DEFROST HEATER		1	

# 2

# OPTIONAL PARTS

## 2-1. DRAIN SOCKET

Model	Parts No.
SUZ-KA09NA SUZ-KA12NA SUZ-KA15NA	MAC-860DS

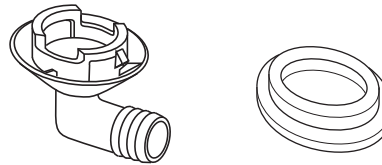


### Installing a Drain Socket

For  $\Phi$  1-5/8 ( $\Phi$  42) hole

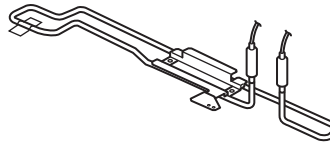
Put the tab ① in the hole first, and then the tab ②.

Model	Parts No.
SUZ-KA18NA	MAC-811DS



## 2-2. DEFROST HEATER

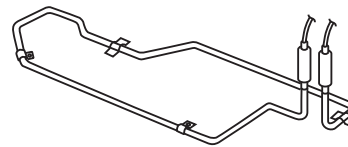
Model	Parts No.
SUZ-KA09NA SUZ-KA12NA SUZ-KA15NA	MAC-640BH-U



### Components

① Defrost heater	1	④ Cable tie	1
② Aluminum tape	1	⑤ Self drilling screw	2
③ Heater support	1	⑥ Insulation	1

Model	Parts No.
SUZ-KA18NA	MAC-641BH-U



### Components

① Defrost heater	1	④ Cable tie	1	⑦ Heater cover A	1	⑧ Heater cover B	1	⑨ Heater cover C	1
② Aluminum tape	3	⑤ Self drilling screw	9						
③ Heater support	2	⑥ Clamp	1						

**Note:** Refer to the installation manual for the installation.

# MITSUBISHI ELECTRIC CORPORATION

HEAD OFFICE : TOKYO BLDG., 2-7-3, MARUNOUCHI, CHIYODA-KU, TOKYO 100-8310, JAPAN

MITSUBISHI ELECTRIC CONSUMER PRODUCTS (THAILAND) CO., LTD.  
AMATA NAKORN INDUSTRIAL ESTATE  
700/406 MOO 7, TAMBON DON HUA ROH,  
AMPHUR MUANG, CHONBURI 20000 THAILAND  
Made in Thailand

New publication, effective Feb 2018  
Specifications are subject to change without notice.