

PARTS CATALOG

Series SLZ Ceiling Cassettes R410A

Indoor unit
[Model Name]

[Service Ref.]

SLZ-KF09NA

SLZ-KF09NA.TH

SLZ-KF12NA

SLZ-KF12NA.TH

SLZ-KF15NA

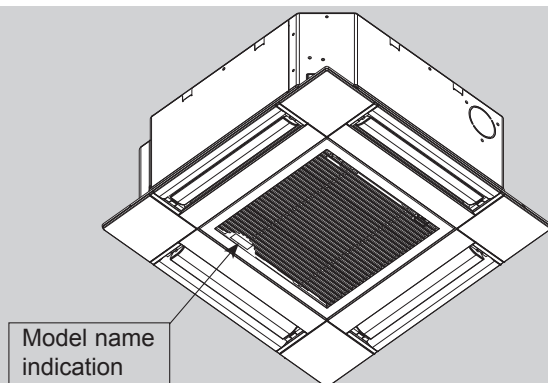
SLZ-KF15NA.TH

SLZ-KF18NA

SLZ-KF18NA.TH

Note:

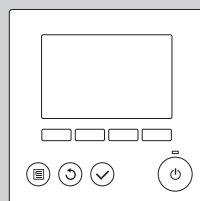
- RoHS compliant products have <G> mark on the spec name plate.



INDOOR UNIT



WIRELESS REMOTE
CONTROLLER
(Option)



WIRED REMOTE CONTROLLER
(Option)

CONTENTS

1. SERVICE PARTS LIST (RoHS) 2

SERVICE MANUAL (OCH669)

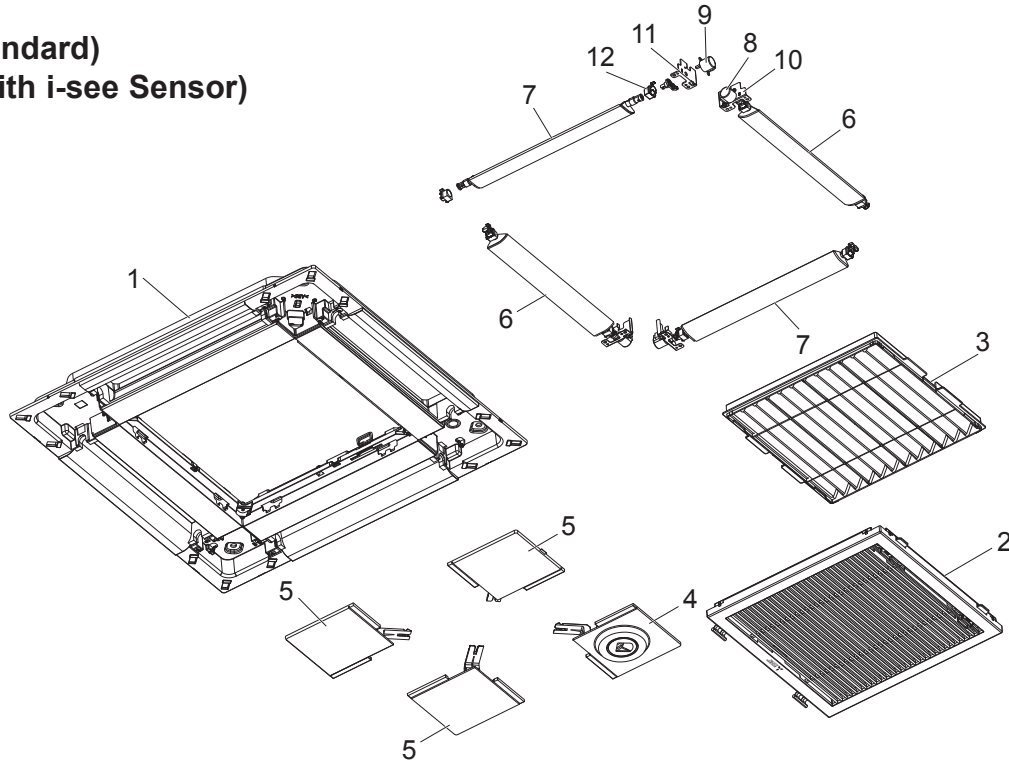
1

SERVICE PARTS LIST (RoHS)

GRILLE PARTS

SLP-18FAU (Standard)

SLP-18FAEU (with i-see Sensor)



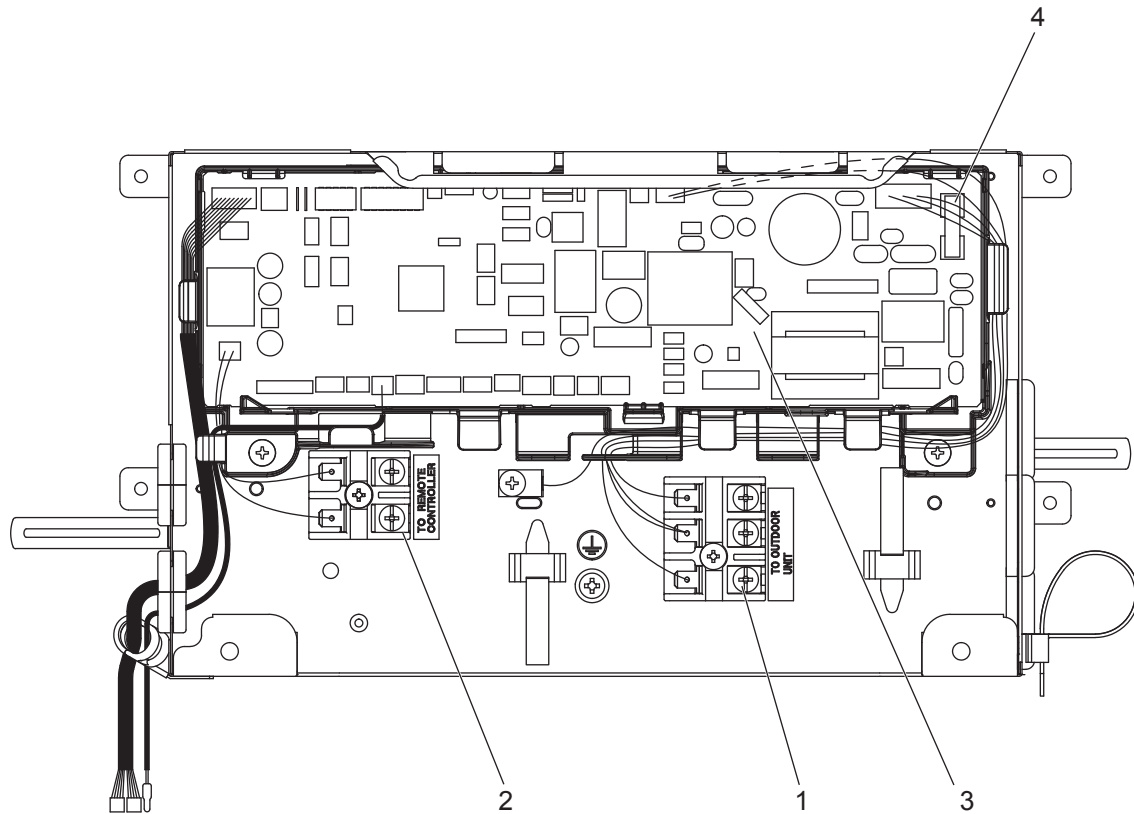
Parts numbers that are circled are not shown in the figure.

Main Function & Equipped Optional Items	SLP-18FAU	SLP-18FAEU	Remarks
	Wireless Remote Controller		
i-see Sensor Corner Panel (PAC-SF1ME-E)		✓	
Wireless Remote Controller for AFE(Exclusive)			Small size Signal Sender

No.	RoHS	Parts No.	Parts Name	Specification	Q'ty/unit		Remarks (Drawing No.)	Wiring Diagram Symbol
					SLP-18FAU	SLP-18FAEU		
1	G	E17 C26 003	AIR OUTLET GRILLE		1	1		
2	G	E17 C26 010	INTAKE GRILLE		1	1		
3	G	E17 C26 100	AIR FILTER		1	1		
4	G	E17 C29 975	CORNER PANEL (i-see Sensor)			1		
5	G	E17 C26 975	CORNER PANEL	with safety strap	4	3		
6	G	E17 C26 037	AUTO VANE -1	GREEN	2	2		
7	G	E17 C27 037	AUTO VANE -2	BLUE	2	2		
8	G	E17 C26 303	VANE MOTOR-1	GREEN	2	2		
9	G	E17 C27 303	VANE MOTOR-2	BLUE	2	2		
10	G	E17 C26 946	COUPLING-1	GREEN	2	2		
11	G	E17 C27 946	COUPLING-2	BLUE	2	2		
12	G	E17 C26 044	VANE BUSH		8	8		
13	G	E17 C26 033	WIRE HOOK		2	2		
14	G	E17 C27 087	JUNCTION CABLE (i-see Sensor)			1		

SERVICE PARTS LIST (RoHS)

ELECTRICAL PARTS

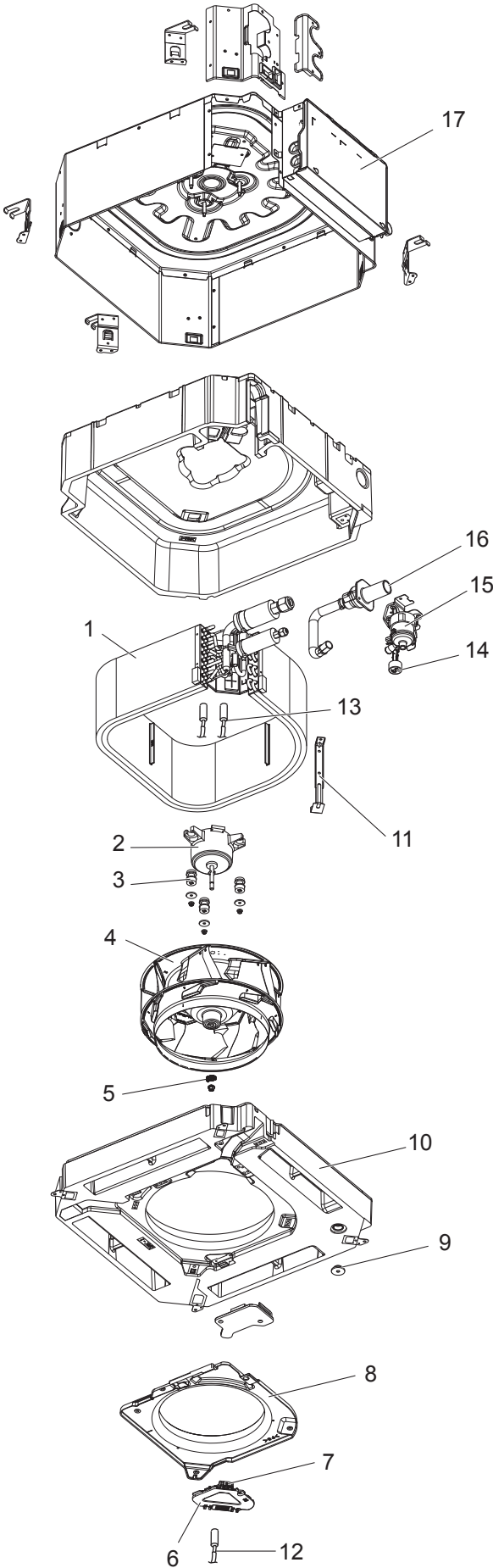


No.	RoHS	Parts No.	Parts Name	Specification	Q'ty/unit				Remarks (Drawing No.)	Wiring Diagram Symbol
					SLZ-KF09NA.TH	SLZ-KF12NA.TH	SLZ-KF15NA.TH	SLZ-KF18NA.TH		
1	G	E17 162 375	TERMINAL BLOCK	3P(S1,S2,S3)	1	1	1	1		TB4
2	G	E17 156 375	TERMINAL BLOCK	2P(1,2)	1	1	1	1		TB5
3	G	E17 M08 447	INDOOR CONTROLLER BOARD		1	1	1	1		I.B
4	G	E17 648 382	FUSE	FSL 250V/6.3A	1	1	1	1		F1

SERVICE PARTS LIST (RoHS)

FUNCTIONAL PARTS

- SLZ-KF09NA.TH
- SLZ-KF12NA.TH
- SLZ-KF15NA.TH
- SLZ-KF18NA.TH



SERVICE PARTS LIST (RoHS)

FUNCTIONAL PARTS

Parts numbers that are circled are not shown in the figure.

No.	RoHS	Parts No.	Parts Name	Specification	Q'ty/unit				Remarks (Drawing No.)	Wiring Diagram Symbol
					SLZ-KF09NA.TH	SLZ-KF12NA.TH	SLZ-KF15NA.TH	SLZ-KF18NA.TH		
1	G	E17 C12 620	INDOOR HEAT EXCHANGER		1	1				
	G	E17 C14 620	INDOOR HEAT EXCHANGER				1	1		
2	G	E17 K05 300	INDOOR FAN MOTOR		1	1	1	1		MF
3	G	E17 C12 105	MOTOR MOUNT		3	3	3	3	3PCS/SET	
4	G	E17 C12 502	TURBO FAN		1	1	1	1		
5	G	E17 K05 097	FAN WASHER&NUT		1	1	1	1		
6	G	E17 C12 091	CONNECTOR COVER		1	1	1	1		
7	G	E17 C12 090	CONNECTOR BOX		1	1	1	1		
8	G	E17 C12 509	BELL MOUTH		1	1	1	1		
9	G	E17 436 524	DRAIN PLUG		1	1	1	1		
10	G	E17 C12 700	DRAIN PAN		1	1	1	1		
11	G	E17 C12 648	COIL SUPPORT		1	1	1	1		
12	G	E17 C12 308	THERMISTOR		1	1	1	1		TH1
13	G	E17 C12 307	THERMISTOR		1	1	1	1		TH2,TH5
14	G	E17 C12 145	FLOAT SWITCH ASSY		1	1	1	1		FS
15	G	E17 C12 355	DRAIN PUMP		1	1	1	1		DP
16	G	E17 C12 702	DRAIN HOSE		1	1	1	1		
17	G	E17 K05 088	CONTROL BOX COVER		1	1	1	1		
⑱	G	E17 M08 097	WASHER		4	4	4	4	4PCS/SET	
⑲	G	E17 M09 910	PIPE COVER		1	1	1	1		
⑳	G	E17 580 704	DRAIN SOCKET		1	1	1	1		

mitsubishi electric corporation

HEAD OFFICE : TOKYO BUILDING, 2-7-3, MARUNOUCHI, CHIYODA-KU, TOKYO 100-8310, JAPAN
