

SUBMITTAL DATA: SLZ-KA15NA

15,000 BTU/H CEILING-CASSETTE INDOOR UNIT FOR MXZ-B MULTI-ZONE HEAT-PUMP SYSTEMS

| | | |
|---------------------|--|-------|
| Job Name: | Location: | Date: |
| Purchaser: | Engineer: | |
| Submitted to: | For <input type="checkbox"/> Reference <input type="checkbox"/> Approval <input type="checkbox"/> Construction | |
| System Designation: | Schedule No.: | |



SLZ-KA15NA

SPECIFICATIONS

Cooling Capacity* 15,000 Btu/h
Heating Capacity at 47°F* 18,000 Btu/h

* Rating Conditions per AHRI Standard

Cooling | Indoor: 80° F (27° C) DB / 67° F (19° C) WB
 Cooling | Outdoor: 95° F (35° C) DB / 75° F (24° C) WB
 Heating at 47°F | Indoor: 70° F (21° C) DB / 60° F (16° C) WB
 Heating at 47°F | Outdoor: 47° F (8° C) DB / 43° F (6° C) WB

(For data on specific indoor units [all ducted, all non-ducted, and both ducted and non-ducted] combinations, see the MXZ-B Technical and Service Manual.)

Electrical Requirements

Power Supply 208 / 230V, 1-Phase, 60 Hz
 MCA 1 A

Voltage

Indoor - Outdoor S1-S2 AC 208 / 230V
 Indoor - Outdoor S2-S3 DC ±24V

Fan Motor (ECM) 0.28 F.L.A.

Airflow (Lo - Med - Hi) 280 - 320 - 390 Dry CFM
 250 - 290 - 350 Wet CFM

Air Filter Polypropylene Honeycomb

Sound Pressure Level (Lo - Med - Hi) 31 - 35 - 40 dB(A)

| DIMENSIONS | UNIT INCHES / MM | GRILLE INCHES / MM |
|------------|------------------|--------------------|
| W | 22-7/16 / 570 | 25-5/8 / 650 |
| D | 22-7/16 / 570 | 25-5/8 / 650 |
| H | 9-1/4 / 235 | 13/16 / 20 |

Weight (Unit/Grille)

Lbs..... 36 / 7
 kg..... 16.5 / 3

External Finish (Unit/Grille) Galvanized-steel Sheets /
 Munsell 6.4Y 8.9 / 0.4

Field Drainpipe Size O.D..... 1-1/4" / 32 mm

Refrigerant Type R410A

Refrigerant Pipe Size O.D.

Gas Side 1/2" / 12.7 mm
 Liquid Side 1/4" / 6.35 mm

Connection Method Flared

GENERAL FEATURES

- Four-way 2'x2' ceiling-cassette indoor unit for ceiling recessed applications
- Built-in drain mechanism for condensate removal; lifts to 19-11/16"
- Wide air-flow pattern for better air distribution
- Design features ventilation air intake knockout
- Long-life air filter included with indoor unit
- Indoor unit powered from outdoor unit using A-Control
- Choice of fan speed: Low, Medium, High
- Automatic restart following a power outage
- Limited warranty: five years parts and seven years compressors

ACCESSORIES

Indoor Unit

- Grille (SLP-15AAUW; required - shipped with unit)

Outdoor Unit

- Drain Pan Heater (MAC-640BH-U)
- Drain Socket (MAC-860DS)
- Three-pole Disconnect Switch (TAZ-MS303)
- Air Outlet Guide (MAC-856SG)
- Mounting Base (DSD-400N)
- Mounting Pad (ULTRILITE1)

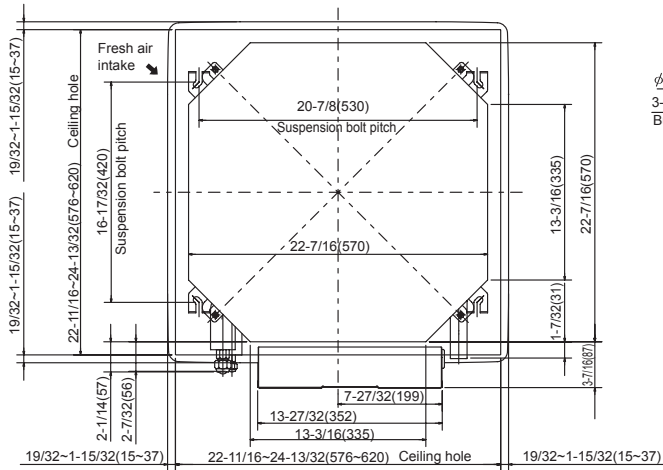
Controller Options

- Wireless Wall-mounted Remote Controller Kit (MHK1)*
 - Portable Central Controller (MCCH1)*
 - Outdoor Air Sensor (MOS1)*
 - Wired Wall-mounted Controller (PAR-31MAA)*
 - Simple MA Remote Controller (PAC-YT53CRAU)*
- *See Submittal for information on each option.
- Remote Temperature Sensor (M21-JKO-307)
 - Hand-held Wireless Remote Controller (PAR-FL32MA; req.PAR-FA32MA-E)
 - Wireless Signal Receiver PAR-FA32MA (for PAR-FL32MA)
 - Lockdown Bracket for Hand-held Controller (RCMKP1CB)

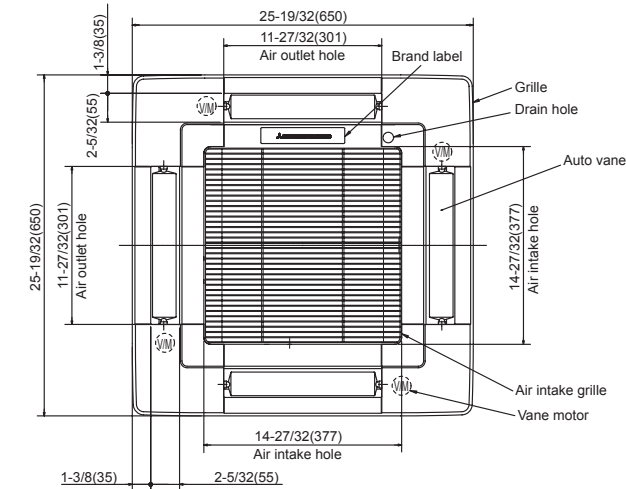
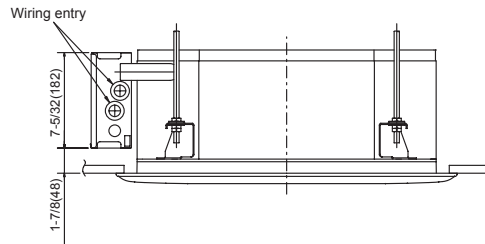
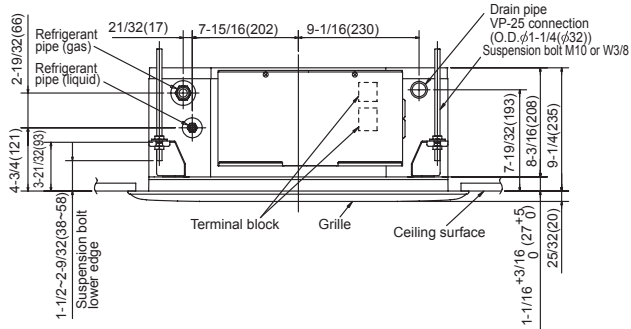
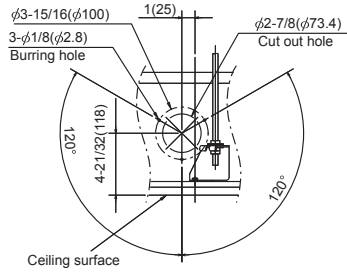


DIMENSIONS: SLZ-KA15NA

Unit : inch (mm)



Detail drawing of fresh air intake



| Models | Refrigerant pipe (liquid) | Refrigerant pipe (gas) |
|------------|---|---|
| SLZ-KA09NA | 1/4 inch ($\phi 6.35\text{mm}$) flared connection | 3/8 inch ($\phi 9.52\text{mm}$) flared connection |
| SLZ-KA12NA | 1/4 inch ($\phi 6.35\text{mm}$) flared connection | 3/8 inch ($\phi 9.52\text{mm}$) flared connection |
| SLZ-KA15NA | 1/4 inch ($\phi 6.35\text{mm}$) flared connection | 1/2 inch ($\phi 12.7\text{mm}$) flared connection |



Intertek



1340 Satellite Boulevard
Suwanee, GA 30024
Tele: 678-376-2900 • Fax: 800-889-9904
Toll Free: 800-433-4822
www.mehvac.com