

SUBMITTAL DATA: SLZ-KA09NA & SUZ-KA09NA

9,000 BTU/H CEILING-CASSETTE HEAT-PUMP SYSTEMS

Job Name:	Location:	Date:
Purchaser:	Engineer:	
Submitted to:	For <input type="checkbox"/> Reference <input type="checkbox"/> Approval <input type="checkbox"/> Construction	
System Designation:	Schedule No.:	



Indoor Unit: SLZ-KA09NA



Outdoor Unit: SUZ-KA09NA

GENERAL FEATURES

- Four-way 2'x2' ceiling-cassette indoor unit for ceiling recessed applications
- Built-in drain mechanism for condensate removal; lifts to 19-11/16"
- Wide air-flow pattern for better air distribution
- Design features ventilation air intake knockout
- Long-life air filter included with indoor unit
- Indoor unit powered from outdoor unit using A-Control
- Choice of fan speed: Low, Medium, High
- Automatic restart following a power outage
- Limited warranty: five years parts and seven years compressors

ACCESSORIES

Indoor Unit

- Grille (SLP-15AAUW; required - shipped with unit)
- Outdoor Unit
- Drain Pan Heater (MAC-640BH-U)
- Drain Socket (MAC-860DS)
- Three-pole Disconnect Switch (TAZ-MS303)
- Air Outlet Guide (MAC-856SG)
- Mounting Base (DSD-400N)
- Mounting Pad (ULTRILITE1)

Controller Options

- Wireless Wall-mounted Remote Controller Kit (MHK1)*
 - Portable Central Controller (MCCH1)*
 - Outdoor Air Sensor (MOS1)*
 - Wired Wall-mounted Controller (PAR-31MAA)*
 - Simple MA Remote Controller (PAC-YT53CRAU)*
- *See Submittal for information on each option.
- Remote Temperature Sensor (M21-JKO-307)
 - Hand-held Wireless Remote Controller (PAR-FL32MA; req. PAR-FA32MA-E)
 - Wireless Signal Receiver PAR-FA32MA (for PAR-FL32MA)
 - Lockdown Bracket for Hand-held Controller (RCMKP1CB)



SPECIFICATIONS: SLZ-KA09NA & SUZ-KA09NA

Cooling*

Rated Capacity 8,400 Btu/h
 Minimum to Maximum Capacity Range 3,100 - 10,900 Btu/h
 SEER 15.0 Btu/h/W
 EER 12.0 Btu/h/W
 Total Input 700 W

Heating at 47°F*

Rated Capacity 10,900 Btu/h
 Minimum to Maximum Capacity Range 3,100 - 14,100 Btu/h
 HSPF 9.6 Btu/h/W
 COP 3.44
 Total Input 930 W

Heating at 17°F*

Rated Capacity 6,200 Btu/h
 Rated Total Input 740 W
 COP 2.46
 Maximum Capacity** 6,200 Btu/h
 Maximum Total Input 1,040 W

* Rating Conditions per AHRI Standard

Cooling | Indoor: 80° F (27° C) DB / 67° F (19° C) WB
 Cooling | Outdoor: 95° F (35° C) DB / 75° F (24° C) WB
 Heating at 47°F | Indoor: 70° F (21° C) DB / 60° F (16° C) WB
 Heating at 47°F | Outdoor: 47° F (8° C) DB / 43° F (6° C) WB
 Heating at 17° F | Indoor: 70° F (21° C) DB / 60° F (16° C) WB
 Heating at 17° F | Outdoor: 17° F (-8° C) DB / 15° F (-9° C) WB

** Maximum Capacity is at full speed and performance for INVERTER-driven System.

Electrical Requirements

Power Supply 208 / 230V, 1-Phase, 60 Hz
 Recommended Fuse/Breaker Size 15 A

Voltage

Indoor - Outdoor S1-S2 AC 208 / 230V
 Indoor - Outdoor S2-S3 DC ±24V

OPERATING CONDITIONS

		Indoor Intake Air Temp.	Outdoor Intake Air Temp.
Cooling	Maximum	95°F (35°C) DB 71°F (22°C) WB	115°F (46°C) DB
	Minimum	67°F (19°C) DB 57°F (14°C) WB	14°F (-10°C) DB
Heating	Maximum	80°F (27°C) DB 67°F (19°C) WB	75°F (24°C) DB 65°F (18°C) WB
	Minimum	70°F (21°C) DB 60°F (16°C) WB	-4°F (-20°C) DB -5°F (-21°C) WB

Indoor Unit

MCA 1 A
 Fan Motor Output 15 W
 Fan Motor (ECM) 0.23 F.L.A.
 Airflow (Lo - Med - Hi) 280 - 320 - 350 Dry CFM
 250 - 290 - 320 Wet CFM
 Air Filter Polypropylene Honeycomb
 Sound Pressure Level (Lo - Med - Hi) 29 - 32 - 38 dB(A)

DIMENSIONS	UNIT INCHES / MM	GRILLE INCHES / MM
W	22-7/16 / 570	25-5/8 / 650
D	22-7/16 / 570	25-5/8 / 650
H	9-1/4 / 235	13/16 / 20

Weight (Unit/Grille)

Lbs..... 36 / 7
 kg..... 16.5 / 3
 External Finish (Unit/Grille) Galvanized-steel Sheets /
 Munsell 6.4Y 8.9 / 0.4
 Field Drainpipe Size O.D..... 1-1/4" / 32 mm

Outdoor Unit

Compressor DC Inverter-driven
 MCA 12 A
 MOCP 15 A
 Fan Motor (ECM) 0.50 F.L.A.
 Sound Pressure Level
 Cooling 46 dB(A)
 Heating 50 dB(A)

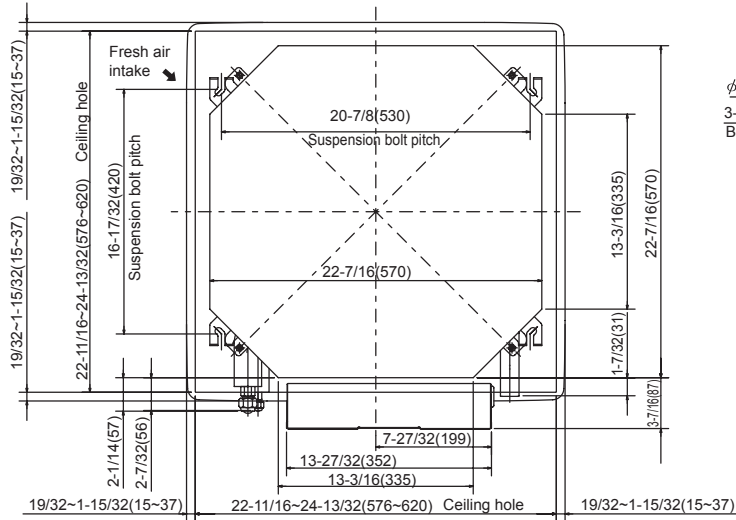
DIMENSIONS	INCHES / MM
W	31-1/2 / 800
D	11-1/4 / 285
H	21-5/8 / 550

Weight 66 lbs. / 30 kg
 External Finish Munsell No. 3Y 7.8 / 1.1
 Refrigerant Type R410A
 Refrigerant Pipe Size O.D.
 Gas Side 3/8" / 9.52 mm
 Liquid Side 1/4" / 6.35 mm
 Max. Refrigerant Pipe Length 65' / 19 m
 Max. Refrigerant Pipe Height Difference 40' / 12 m
 Connection Method Flared

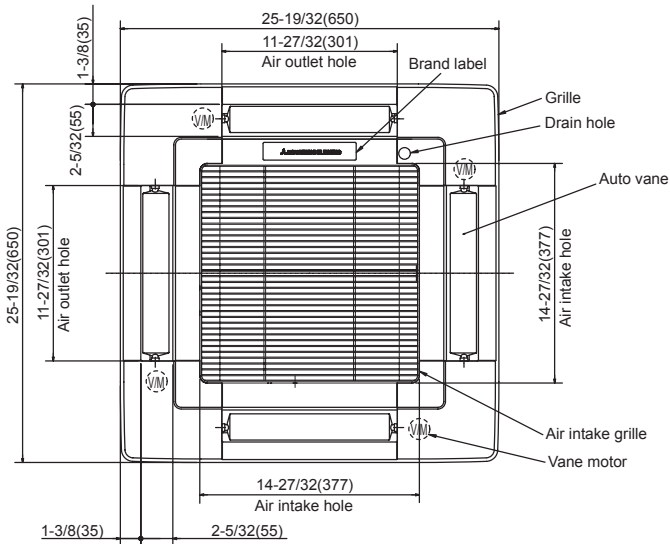
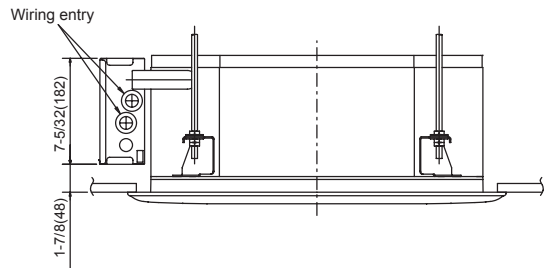
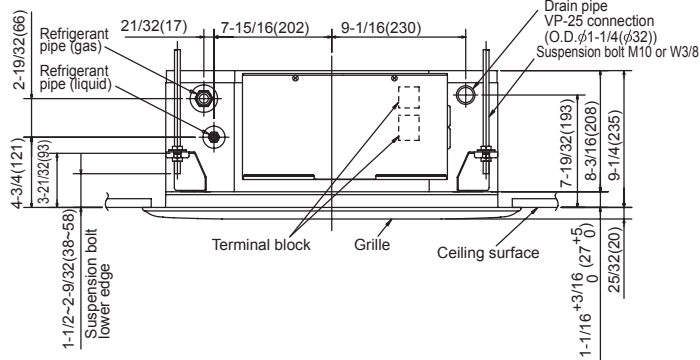
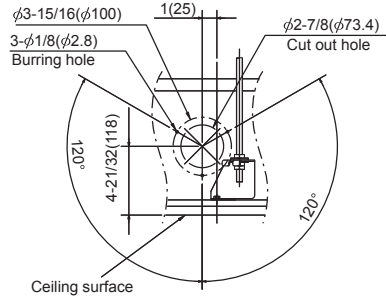
Notes:

DIMENSIONS: SLZ-KA09NA

Unit : inch (mm)



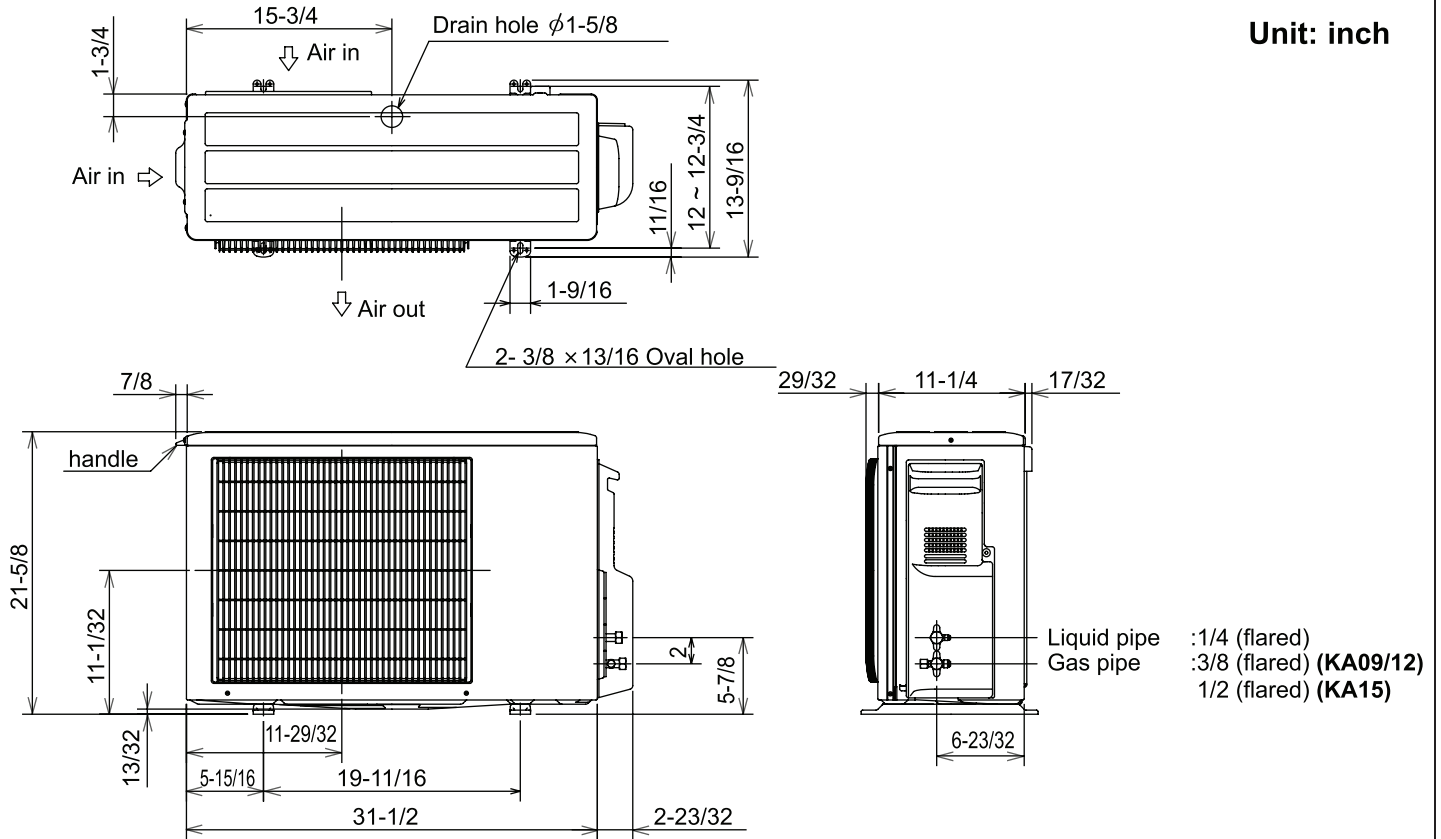
Detail drawing of fresh air intake



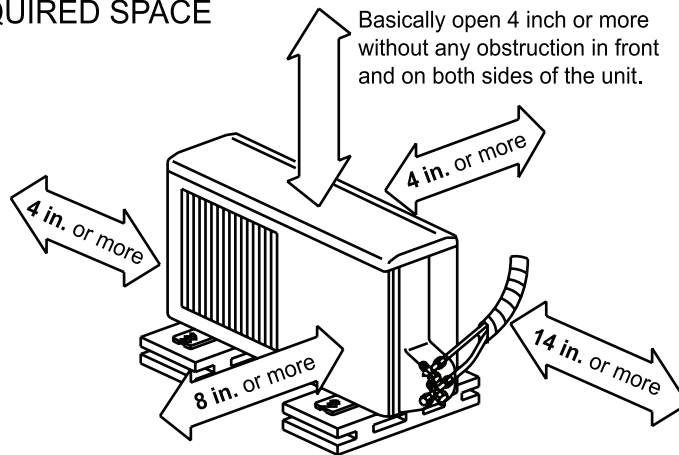
Models	Refrigerent pipe (liquid)	Refrigerent pipe (gas)
SLZ-KA09NA	1/4 inch ($\phi 6.35\text{mm}$) flared connection	3/8 inch ($\phi 9.52\text{mm}$) flared connection
SLZ-KA12NA	1/4 inch ($\phi 6.35\text{mm}$) flared connection	3/8 inch ($\phi 9.52\text{mm}$) flared connection
SLZ-KA15NA	1/4 inch ($\phi 6.35\text{mm}$) flared connection	1/2 inch ($\phi 12.7\text{mm}$) flared connection

DIMENSIONS: SUZ-KA09NA

Unit: inch



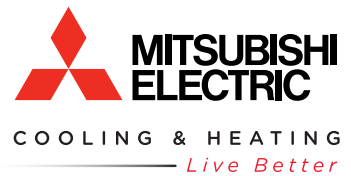
REQUIRED SPACE



Open two sides of left, right, or rear side.



Intertek



1340 Satellite Boulevard
 Suwanee, GA 30024
 Tele: 678-376-2900 • Fax: 800-889-9904
 Toll Free: 800-433-4822
 www.mehvac.com