

**SUBMITTAL DATA: SEZ-KD18NA4\*\* & SUZ-KA18NA**

18,000 BTU/H HORIZONTAL-DUCTED HEAT-PUMP SYSTEMS

Job Name:	Location:	Date:
Purchaser:	Engineer:	
Submitted to:	For <input type="checkbox"/> Reference <input type="checkbox"/> Approval <input type="checkbox"/> Construction	
System Designation:	Schedule No.:	

**\*\*APPLIES TO INDOOR UNIT:**

- SEZ-KD18NA4
- SEZ-KD18NA4.TH
- SEZ-KD18NAR1.TH
- SEZ-KD18NA4R1.TH



Indoor Unit: SEZ-KD18NA4\*\*



Outdoor Unit: SUZ-KA18NA

**GENERAL FEATURES**

- Horizontal-ducted indoor unit for concealed applications
- Ultra thin body: 7-7/8" high
- Built-in drain mechanism for condensate removal; lifts to 21-11/16"
- Air filter is included with indoor unit
- Quiet operation — as low as 23 dBA
- Indoor unit powered from outdoor unit using A-Control
- AUTO fan speed control
- Automatic restart following a power outage
- Limited warranty: five years parts and seven years compressors

**ACCESSORIES**
**Indoor Unit**

- Filter Box with MERV 8 Filters (FBL1-3)
- Bottom Return Plate (BRP-3)

**Outdoor Unit**

- Drain Socket (MAC-811DS)
- Drain Pan Heater (MAC-641BH-U)
- Three-pole Disconnect Switch (TAZ-MS303)
- Air Outlet Guide (MAC-856SG)
- Mounting Base (DSD-400N)
- Mounting Pad (ULTRILITE1)
- Wall-mounting Brackets (CWMB1)

**Controller Options**

- Wireless Wall-mounted Remote Controller Kit (MHK1)\*
- Portable Controller (MCCH1)\*
- Outdoor Air Sensor (MOS1)\*

\*See Submittal for information on each option.

- Wired Wall-mounted Controller (PAR-21MAAU)
- System Control Interface (MAC-333IF)
- Remote Temperature Sensor (M21-JKO-307)
- Hand-held Wireless Remote Controller (PAR-FL32MA; eq. PAR-FA32MA-E)
- Wireless Signal Receiver Module PAR-FA32MA (for PAR-FL32MA)
- Lockdown Bracket for Hand-held Controller (RCMKP1CB)

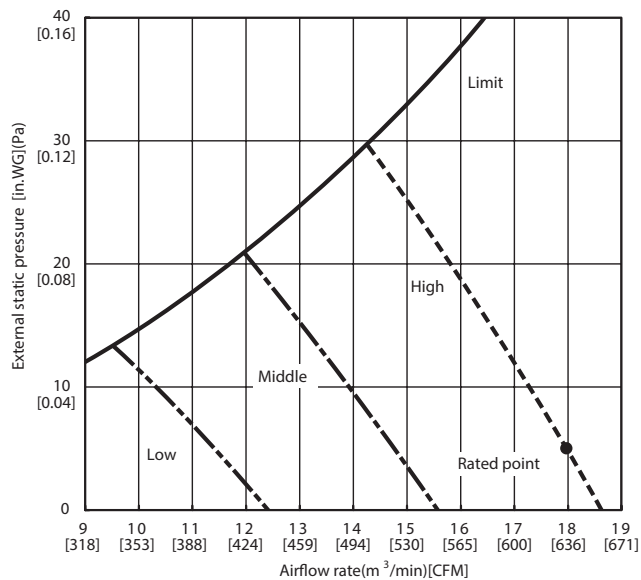




# SEZ-KD18NA4\*\* INDOOR FAN PERFORMANCE AND CORRECTED AIR FLOW CHARTS

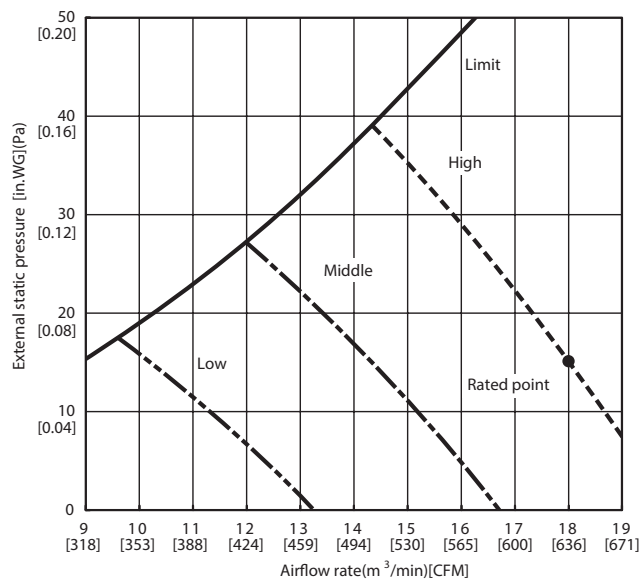
## SEZ-KD18NA4\*\*

(External static pressure 0.02[in.WG](5P a)) 208/230V 60Hz



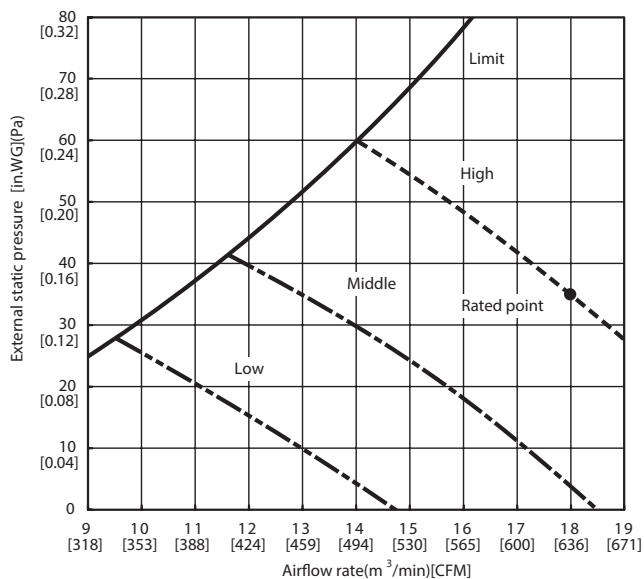
## SEZ-KD18NA4\*\*

(External static pressure 0.06[in.WG](15P a)) 208/230V 60Hz



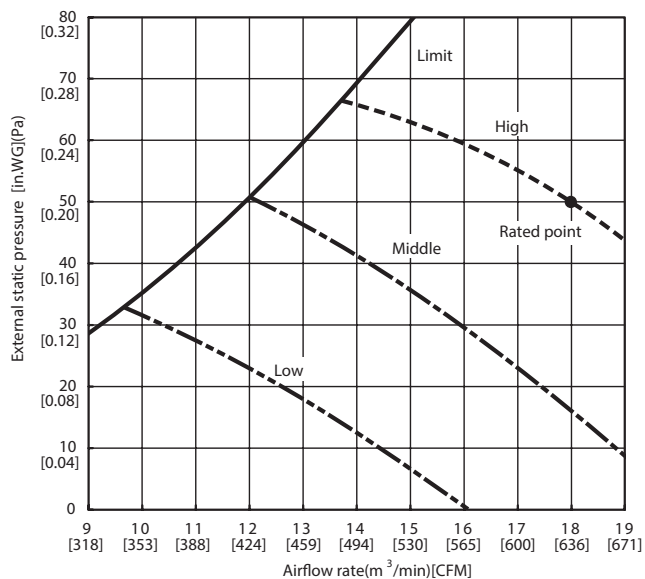
## SEZ-KD18NA4\*\*

(External static pressure 0.14[in.WG](35P a)) 208/230V 60Hz



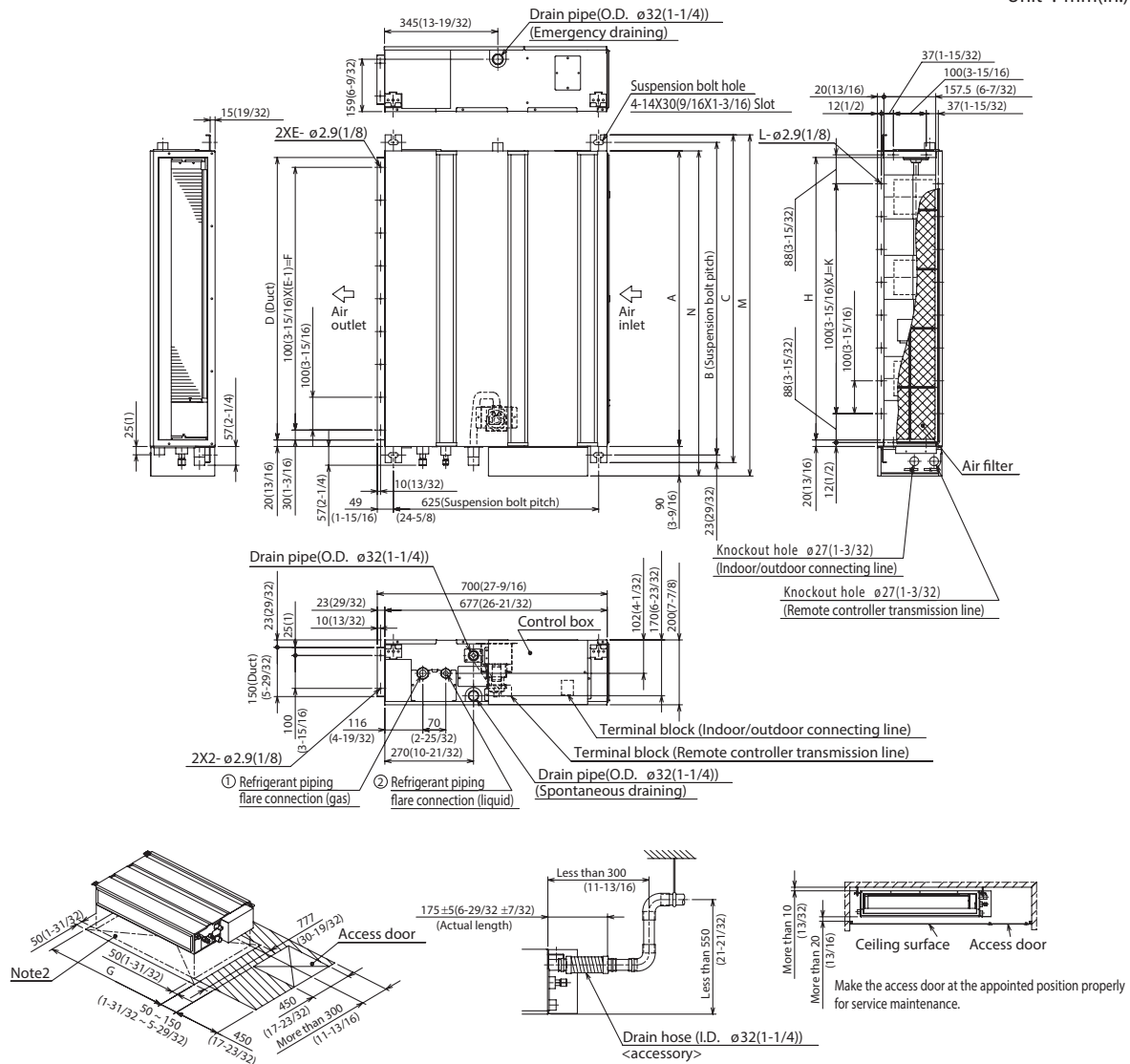
## SEZ-KD18NA4\*\*

(External static pressure 0.20[in.WG](50P a)) 208/230V 60Hz



# DIMENSIONS: SEZ-KD18NA4\*\*

Unit : mm(in.)



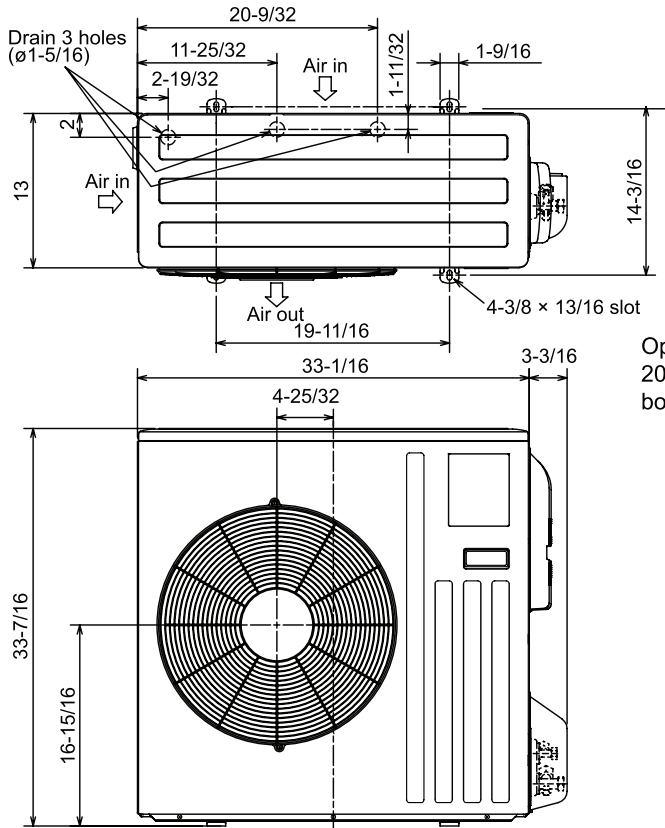
Required space for service and maintenance

Model	mm(in.)															
	A	B	C	D	E	F	G	H	J	K	L	M	N	① Gas pipe	② Liquid pipe	
SEZ-KD09NA4**	700 (27-9/16)	752 (29-5/8)	798 (31-7/16)	660 (26)	7	600 (23-5/8)	800 (31-1/2)	660 (26)	5	500 (19-11/16)	16	839 (33-1/16)	790 (31-1/8)	ø9.52(3/8)	ø6.35(1/4)	
SEZ-KD12NA4**	900 (35-7/16)	952 (37-1/2)	998 (39-5/16)	860 (33-7/8)	9	800 (31-1/2)	1000 (39-3/8)	860 (33-7/8)	7	700 (27-9/16)	20	1039 (40-29/32)	990 (39)			
SEZ-KD15NA4**	1100 (43-5/16)	1152 (45-3/8)	1198 (47-3/16)	1060 (41-3/4)	11	1000 (39-3/8)	1200 (47-1/4)	1060 (41-3/4)	9	900 (35-7/16)	24	1239 (48-25/32)	1190 (46-7/8)			

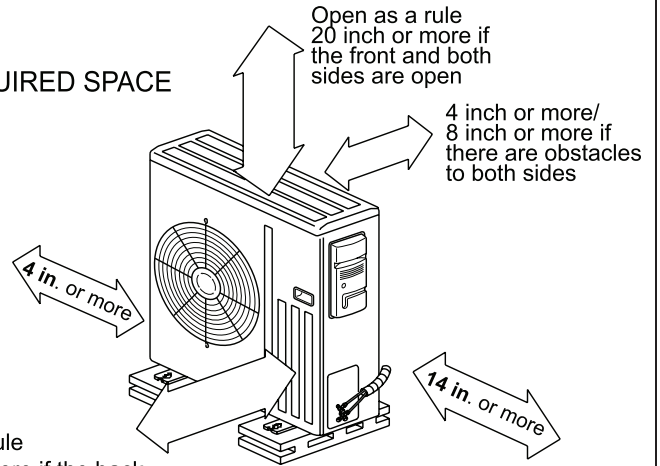
- Note1. Use M10 screw for the suspension bolt (field supply).  
 2. Keep the service space for the maintenance at the bottom.  
 3. This chart indicates for SEZ-KD15NA4\*\* model, which has 3 fans.  
 SEZ-KD09, 12NA4\*\* models have 2 fans.  
 SEZ-KD18NA4\*\* models have 4 fans.  
 4. In case an inlet duct is used, remove the air filter (supply with the unit), then install the filter (field supply) at suction side.

# DIMENSIONS: SUZ-KA18NA

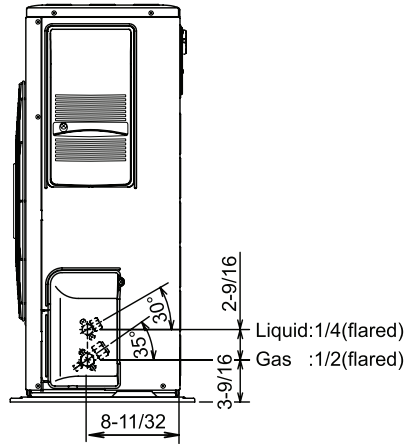
**Unit: inch**



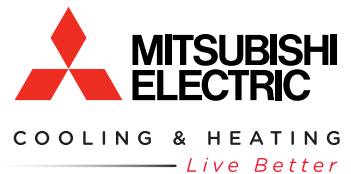
## REQUIRED SPACE



Open as a rule 20 inch or more if the back, both sides and top are open



**Intertek**



1340 Satellite Boulevard  
 Suwanee, GA 30024  
 Tele: 678-376-2900 • Fax: 800-889-9904  
 Toll Free: 800-433-4822  
 www.mehvac.com