

Job Name:

System Reference:

Date:

**APPLIES TO INDOOR UNIT:**

- SEZ-KD15NA4
- SEZ-KD15NA4.TH
- SEZ-KD15NAR1.TH
- SEZ-KD15NA4R1.TH

**APPLIES TO OUTDOOR UNIT:**

- SUZ-KA15NA
- SUZ-KA15NAR1



### GENERAL FEATURES

- Concealed horizontal-ducted unit for applications with short duct runs
- Quiet operation
- Ultra-thin body: 7-7/8" high
- Built-in condensate lift mechanism
- Multiple control options available:
  - kumo cloud<sup>®</sup> smart device app for remote access
  - Third-party interface options
  - Wired or wireless controllers

## SPECIFICATIONS: SEZ-KD15NA4 & SUZ-KA15NA

Cooling <sup>1</sup>	Maximum Capacity	Btu/h	17,000
	Rated Capacity	Btu/h	14,100
	Minimum Capacity	Btu/h	3,800
	Maximum Power Input	W	1,460
	Rated Power Input	W	1,170
	Moisture Removal	Pints/h	2.6
	Sensible Heat Factor		0.80
	Power Factor	%	97/97
Heating at 47°F <sup>2</sup>	Maximum Capacity	Btu/h	21,100
	Rated Capacity	Btu/h	18,000
	Minimum Capacity	Btu/h	4,800
	Maximum Power Input	W	2,030
	Rated Power Input	W	1,500
	Power Factor	%	97/97
Heating at 17°F <sup>3</sup>	Maximum Capacity	Btu/h	13,700
	Rated Capacity	Btu/h	11,900
	Maximum Power Input	W	1,650
	Rated Power Input	W	1,200
Heating at 5°F <sup>4</sup>	Maximum Capacity	Btu/h	10,600
	Maximum Power Input	W	1,260
Efficiency	SEER		15.5
	EER <sup>1</sup>		12.0
	HSPF (IV)		10.0
	COP at 47°F <sup>2</sup>		3.52
	COP at 17°F in Maximum Capacity <sup>3</sup>		2.43
	COP at 5°F in Maximum Capacity <sup>4</sup>		2.47
Electrical	Voltage, Phase, Frequency		208/230V, 1 phase, 60Hz
	Guaranteed Voltage Range	V AC	187-253
	Voltage: Indoor - Outdoor, S1-S2	V AC	208/230
	Voltage: Indoor - Outdoor, S2-S3	V DC	24
	Voltage: Indoor - Remote controller	V DC	12
	Recommended Fuse/Breaker Size	A	15
	Recommended Wire Size (Indoor - Outdoor)	AWG	14
Indoor Unit	MCA	A	1
	MOCP	A	15
	Blower Motor Full Load Amperage	A	0.74
	Blower Motor Output	W	96
	Airflow Rate at Cooling, Dry	CFM	529-441-353
	Airflow Rate at Cooling, Wet	CFM	476-396-317
	Airflow Rate at Heating, Dry	CFM	529-441-353
	Sound Pressure Level (Cooling)	dB(A)	37-34-30

## SPECIFICATIONS: SEZ-KD15NA4 & SUZ-KA15NA

	Sound Pressure Level (Heating)	dB(A)	37-34-30
	External Static Pressure	in.WG	0.02-0.06-0.14-0.20
	Drain Pipe Size	In. (mm)	1 1/4 (32)
	Condensate Lift Mechanism, Maximum Distance	In. (mm)	21-21/32 (550)
	Heat Exchanger Type		Plate fin coil
	External Finish Color		Galvanized
	Unit Dimensions	W: In. (mm)	39 (990)
		D: In. (mm)	27 9/16 (700)
		H: In. (mm)	7 7/8 (200)
	Package Dimensions	W: In. (mm)	47 1/4 (1,200)
		D: In. (mm)	35 7/16 (900)
		H: In. (mm)	14 3/16 (360)
	Unit Weight	Lbs. (kg)	54 (24)
	Package Weight	Lbs. (kg)	79 (36)
Indoor Unit Operating Temperature Range	Cooling Intake Air Temp (Maximum / Minimum)*	°F	95 DB / 71 WB // 67 DB / 57 WB
	Heating Intake Air Temp (Maximum / Minimum)	°F	80 DB // 70 DB
Outdoor Unit	MCA	A	12
	MOCP	A	15
	Fan Motor Full Load Amperage	A	0.5
	Fan Motor Output	W	55
	Airflow Rate	CFM	1,243 / 1,229
	Refrigerant Control		LEV
	Defrost Method		Reverse cycle
	Heat Exchanger Type		Plate fin coil
	Sound Pressure Level, Cooling <sup>1</sup>	dB(A)	49
	Sound Pressure Level, Heating <sup>2</sup>	dB(A)	51
	Compressor Type		DC INVERTER-driven Twin Rotary
	Compressor Model		SNB130FQBH
	Compressor Rated Load Amps	A	7.4
	Compressor Locked Rotor Amps	A	9.3
	Compressor Oil Type // Charge	oz.	NEO22 // 15.2
	External Finish Color		Munsell 3Y 7.8/1.1
	Base Pan Heater		Optional (MAC-640BH-U)
	Unit Dimensions	W: In. (mm)	31-1/2 (800)
		D: In. (mm)	11-1/4 (285)
		H: In. (mm)	21-5/8 (550)
	Package Dimensions	W: In. (mm)	37 (940)
		D: In. (mm)	14-15/16 (380)
		H: In. (mm)	24-13/16 (630)
Unit Weight	Lbs. (kg)	80 (36)	
Package Weight	Lbs. (kg)	86 (39)	

## SPECIFICATIONS: SEZ-KD15NA4 & SUZ-KA15NA

Outdoor Unit Operating Temperature Range	Cooling Air Temp (Maximum / Minimum)*	°F	115 / 14
	Cooling Thermal Lock-out / Re-start Temperatures**	°F	-7 / -4
	Heating Air Temp (Maximum / Minimum)	°F	75 / -4
	Heating Thermal Lock-out / Re-start Temperatures**	°F	-7 / -4
Refrigerant	Type		R410A
	Charge	Lbs, oz	2, 9
Piping	Gas Pipe Size O.D. (Flared)	In. (mm)	1/2 (12.7)
	Liquid Pipe Size O.D. (Flared)	In. (mm)	1/4 (6.35)
	Maximum Piping Length	Ft. (m)	65 (20)
	Maximum Height Difference	Ft. (m)	40 (12)
	Maximum Number of Bends		10

### Notes

AHRI Rated Conditions (Rated data is determined at a fixed compressor speed)	<sup>1</sup> Cooling (Indoor // Outdoor)	°F	80 DB, 67 WB // 95 DB, 75 WB
	<sup>2</sup> Heating at 47°F (Indoor // Outdoor)	°F	70 DB, 60 WB // 47 DB, 43 WB
	<sup>3</sup> Heating at 17°F (Indoor // Outdoor)	°F	70 DB, 60 WB // 17 DB, 15 WB
Conditions	<sup>4</sup> Heating at 5°F (Indoor // Outdoor)	°F	70 DB, 60 WB // -4 DB, -5 WB

\*Applications should be restricted to comfort cooling only; equipment cooling applications are not recommended for low ambient temperature conditions.

\*\*System cuts out in heating mode to avoid thermistor error and automatically restarts at these temperatures.

## ACCESSORIES: SEZ-KD15NA4

Filter Box with MERV 8 Filters	<input type="checkbox"/> FBL 1-2
Signal Receiver	<input type="checkbox"/> PAR-SA9CA-E
Wireless Remote Controller	<input type="checkbox"/> PAR-FL32MA-E
Wireless Remote Receiver	<input type="checkbox"/> PAR-FA32MA-E
Backlit, Wall-mounted, Wireless Controller	<input type="checkbox"/> MHK1
Portable Central Controller	<input type="checkbox"/> MCCH1
Wired MA Controller	<input type="checkbox"/> PAR-33MAA
Simple MA Controller	<input type="checkbox"/> PAC-YT53CRAU
Touch MA Controller	<input type="checkbox"/> PAR-CT01MAU-SB
Wired Remote Sensor	<input type="checkbox"/> PAC-SE41TS-E
Lockdown Bracket for Wireless, Hand-held, Remote Controller	<input type="checkbox"/> RCMKP1CB
Wireless Temperature and Humidity Sensor	<input type="checkbox"/> PAC-USWHS003-TH-1
Outside Air Sensor for MHK1	<input type="checkbox"/> MOS1
Flush Mount Remote Temperature Sensor	<input type="checkbox"/> PAC-USSEN001-FM-1
Wireless Interface	<input type="checkbox"/> PAC-USWHS002-WF-1
Thermostat Interface	<input type="checkbox"/> PAC-US444CN-1
kumo station®	<input type="checkbox"/> PAC-WHS01HC-E
USNAP Interface	<input type="checkbox"/> PAC-WHS01UP-E
IT Extender	<input type="checkbox"/> PAC-WHS01IE-E
BACnet® and MODBUS® Interface	<input type="checkbox"/> PAC-UKPRC001-CN-1
External Fan / Heater Control Relay Adapter	<input type="checkbox"/> CN24RELAY-KIT-CM3
Connector cable for remote display	<input type="checkbox"/> PAC-SA88HA-EP
Connector for CN32 (remote on/off)	<input type="checkbox"/> PAC-SE55RA-E
Remote Operation Adapter (with wire terminals for remote ON/OFF and operation status/ error) <sup>1</sup>	<input type="checkbox"/> PAC-SF40RM-E
Bottom Return Plate (Converts low-profile ducted indoor unit from rear return to bottom return)	<input type="checkbox"/> BRP-2
External Drain Pump	<input type="checkbox"/> PAC-KE07DM-E
Blue Diamond Sensor Extension Cable—15 Ft.	<input type="checkbox"/> C13-103
Blue Diamond Alarm Extension Cable—6.5 Ft.	<input type="checkbox"/> C13-192
Blue Diamond MultiTank—collection tank for use with multiple pumps	<input type="checkbox"/> C21-014
Blue Diamond Rubber Foot Pads	<input type="checkbox"/> F10-010
Mini Condensate Pump—230V application	<input type="checkbox"/> SI30-230
MegaBlue Advanced Blue Diamond Condensate Pump w/ Reservoir & Sensor	<input type="checkbox"/> X87-835 - 110 to 250V
MaxiBlue Advanced Blue Diamond Mini Condensate Pump w/ Reservoir & Sensor (110V) up to 48,000 Btu/h [recommended]	<input type="checkbox"/> X87-711 - 110V
MaxiBlue Advanced Blue Diamond Mini Condensate Pump w/ Reservoir & Sensor (208/230V) up to 48,000 Btu/h [recommended]	<input type="checkbox"/> X87-721 - 208/230V
Drain Pan Level Sensor (Control for indoor unit shut off to prevent drain pan overflow)	<input type="checkbox"/> DPLS2
3 Pole Disconnect Switch (30A/600VUL) [fits 2"X4" utility] - Black	<input type="checkbox"/> TAZ-MS303
3 Pole Disconnect Switch (30A/600VUL) [fits 2"X4" utility] - White	<input type="checkbox"/> TAZ-MS303W
1/4" x 3/8" x 15' / 1/2" Lineset (Twin-Tube Insulation)	<input type="checkbox"/> MLS143812T-15
1/4" x 3/8" x 30' / 1/2" Lineset (Twin-Tube Insulation)	<input type="checkbox"/> MLS143812T-30
1/4" x 3/8" x 50' / 1/2" Lineset (Twin-Tube Insulation)	<input type="checkbox"/> MLS143812T-50
1/4" x 3/8" x 65' / 1/2" Lineset (Twin-Tube Insulation)	<input type="checkbox"/> MLS143812 -65
1/4 x 3/8 x 100' / 1/2" Lineset (Twin-Tube Insulation)	<input type="checkbox"/> MPLS385812 -10

<sup>1</sup> Unable to use with wireless remote controller  
Specifications are subject to change without notice.

## ACCESSORIES: SUZ-KA15NA

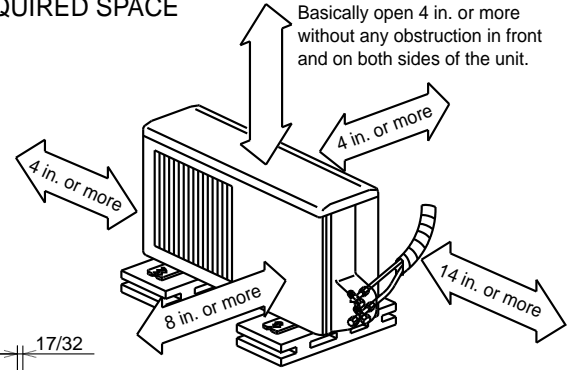
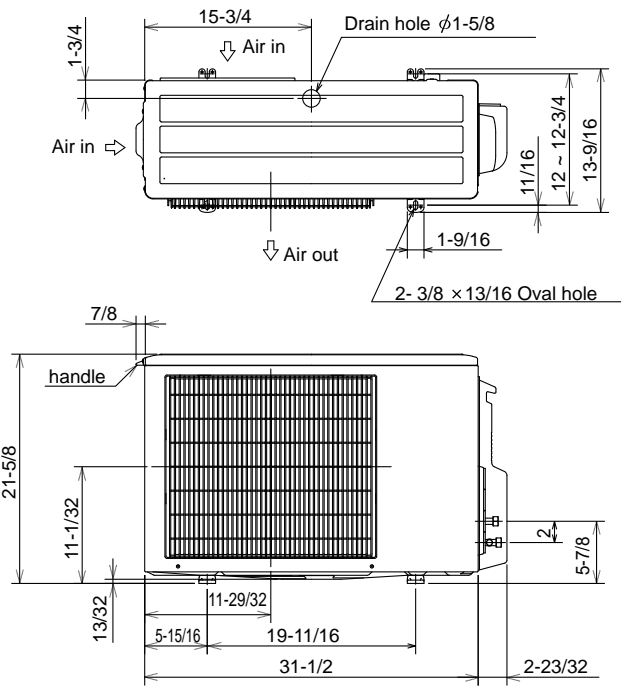
Air Outlet Guide	□ MAC-881SG
Hail Guard	□ HG-B4
Defrost Heater	□ MAC-640BH-U
Outdoor Unit 3-1/4 inch Mounting Base (Pair) - Plastic	□ DSD-400P
Condensing Unit Mounting Pad 16" x 36" x 3"	□ ULTRILITE1
Outdoor Unit Stand—12" High	□ QSMS1201M
Outdoor Unit Stand—18" High	□ QSMS1801M
Outdoor Unit Stand—24" High	□ QSMS2401M
Heavy Duty Wall Mounting Bracket for Outdoor Units—Coated Steel	□ QSWB2000M-1
Heavy Duty Wall Mounting Bracket for Outdoor Units—316 Series Stainless Steel	□ QSWBSS



# DIMENSIONS: SUZ-KA15NA

Unit: inch

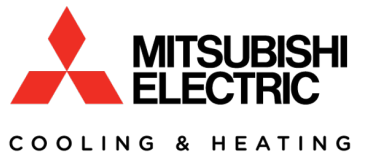
## REQUIRED SPACE



Basically open 4 in. or more without any obstruction in front and on both sides of the unit.

Open two sides of left, right, or rear side.

- Liquid pipe : 1/4 (flared)
- Gas pipe : 3/8 (flared) (KA09/12)
- : 1/2 (flared) (KA15)



1340 Satellite Boulevard, Suwanee, GA 30024  
Toll Free: 800-433-4822 www.mehvac.com

