

Job Name: _____

System Reference: _____ Date: _____



Indoor Unit: PVA-A42AA4



Outdoor Unit: PUZ-HA42NKA

ACCESSORIES:

Indoor Unit

- Condensate Pump (BlueDiamond X87-711/721; 115/230V)
- Condensate Pump (Sauermann SI30-115/230; 115/230V)
- Relay Kit (CN24RELAY-KIT-CM3)
- Fan Speed Indication Adapter (PAC-735)
- Humidifier Control Relay (PAC-740)

Outdoor Unit

- Air Outlet Guide (PAC-SG59SG-E [x2])
- Wind Baffle (WB-PA3 [x2])
- *Allows operation to 0° F (-18° C)
- Mounting Base (QSMS1202)
- Wall Bracket (QSWB2000M-1)

Controls

- Wireless Controller (MHK1)
- Advanced Wired Controller (PAR-31MAA)
- Simple Wired Controller (PAC-YT53CRAU)
- M-NET Adapter (PAC-SF83MA-E)
- Temperature Sensor (PAC-SE41TS)

SPECIFICATIONS:

Rated Conditions (Capacity / Input)*		
Cooling ¹	Btu/h / W	42,000 / 4,270
Heating at 47° F ²	Btu/h / W	48,000 / 4,010
Heating at 17° F ³	Btu/h / W	42,500 / 5,000

Capacity Range		Minimum	Maximum
Cooling ¹	Btu/h	19,000	42,000
Heating at 47° F ²	Btu/h	18,000	54,000
Heating at 17° F ³	Btu/h	-	48,000
Heating at 5° F ⁴	Btu/h	-	48,000

1. Cooling | Indoor: 80° F(27° C)DB / 67° F(19° C)WB; Outdoor: 95° F(35° C)DB / 75° F (24° C)WB*
 2. Heating at 47°F | Indoor: 70° F(21° C)DB / 60° F(16° C)WB; Outdoor: 47° F(8° C)DB / 43° F(6° C)WB*
 3. Heating at 17° F | Indoor: 70° F(21° C)DB / 60° F(16° C)WB; Outdoor: 17° F(-8° C)DB / 15° F(-9° C)WB*
 4. Heating at 5° F | Indoor: 70° F(21° C)DB / 60° F(16° C)WB; Outdoor: 5° F(-15° C) DB / 5° F(-15° C)WB
- * Rating Conditions per AHRI Standard

Operating Range	
Cooling	0° F** to 115° F (-18° C to 46° C) DB
Heating	-13° F to 70° F (-25° C to 21° C) DB

** With optional wind baffle accessory installed. If not installed, the min. temp. will be 23° F (-5° C) DB.

AHRI Efficiency Ratings	
EER	9.8
SEER	15.3
HSPF	11.0
COP at 47° F	3.14
COP at 17° F	2.48

Electrical Power Requirements	208 / 230V, 1-Phase, 60 Hz
-------------------------------	----------------------------

Minimum Circuit Ampacity (MCA)		
Indoor / Outdoor	A	5.63 / 37

Indoor Unit		
Blower Motor (ECM)	F.L.A.	4.5
Blower Motor Output	W	430
External Static Pressure	In. WG	0.30 - 0.50 - 0.80
SHF / Moisture Removal		0.76 / 9.0 pt./h

Outdoor Unit		
Compressor		INVERTER
Fan Motor (ECM)	F.L.A.	0.4+0.4
MOCP	A	44

Airflow Rate			
Indoor (Lo-Mid-Hi)	Cooling	DRY: CFM	1,040-1,262-1,485
	Heating		1,040-1,262-1,485
Outdoor			3,320

Sound Pressure Level			
Indoor (Lo-Mid-Hi)	Cooling	dB(A)	36-40-44
	Heating		36-40-44
Outdoor	Cooling		49
	Heating		51

External Dimensions		
Indoor (H x W x D)	In.(mm)	59-1/2 x 25 x 21-5/8 (1,511 x 635 x 548)
Outdoor (H x W x D)		52-11/16 x 41-5/16 x 13 + 1-3/16 (1,338 x 800 x 330 + 30)

External Finish	
Indoor	High-gloss polyester powder coated
Outdoor	Munsell No. 3Y 7.8 / 1.1

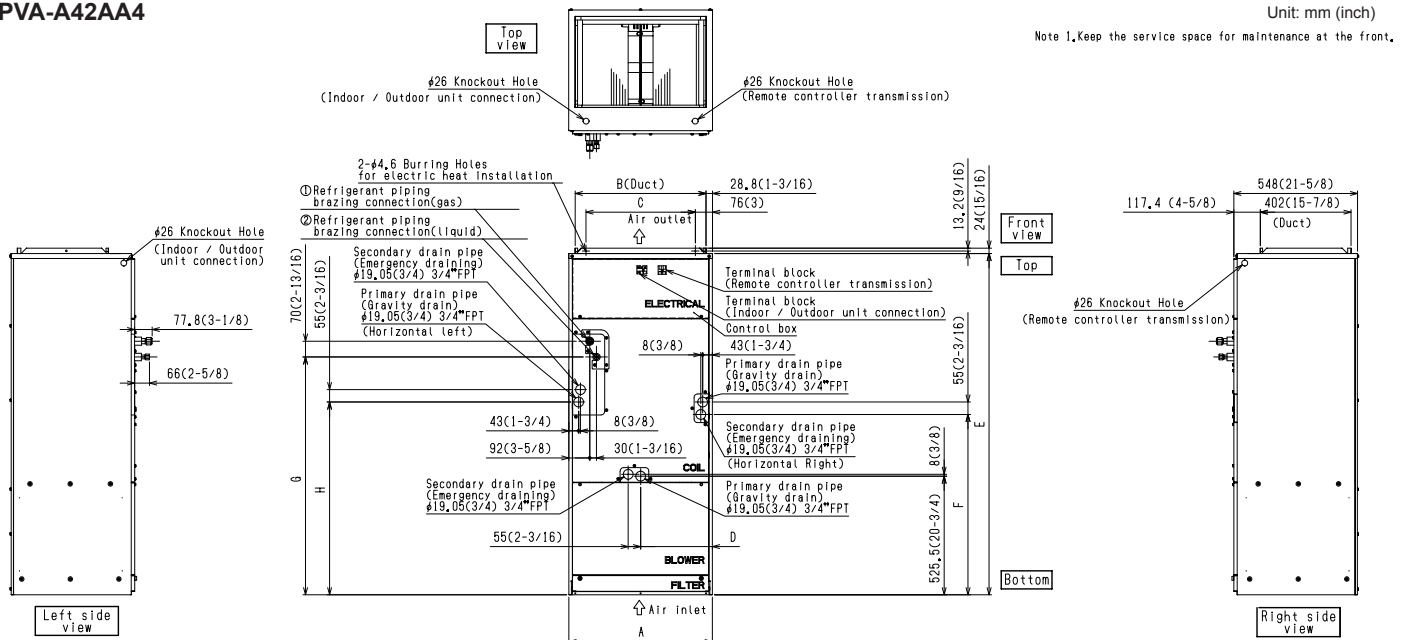
Net Weight		
Indoor	Lbs.(kg)	172 (78)
Outdoor		287 (130)

Refrigerant	R410A ; 13lbs. 4oz.
-------------	---------------------

Refrigerant Piping (Flared)		
Liquid (High Pressure)	In.(mm)	3/8 (9.52)
Gas (Low Pressure)		5/8 (15.88)
Maximum Total Refrigerant Pipe Length	Ft. (m)	245 (75)
Maximum Vertical Separation	Ft. (m)	100 (30)

DIMENSIONS: PVA-A42AA4 & PUZ-HA42NKA

PVA-A42AA4



Unit: mm (inch)

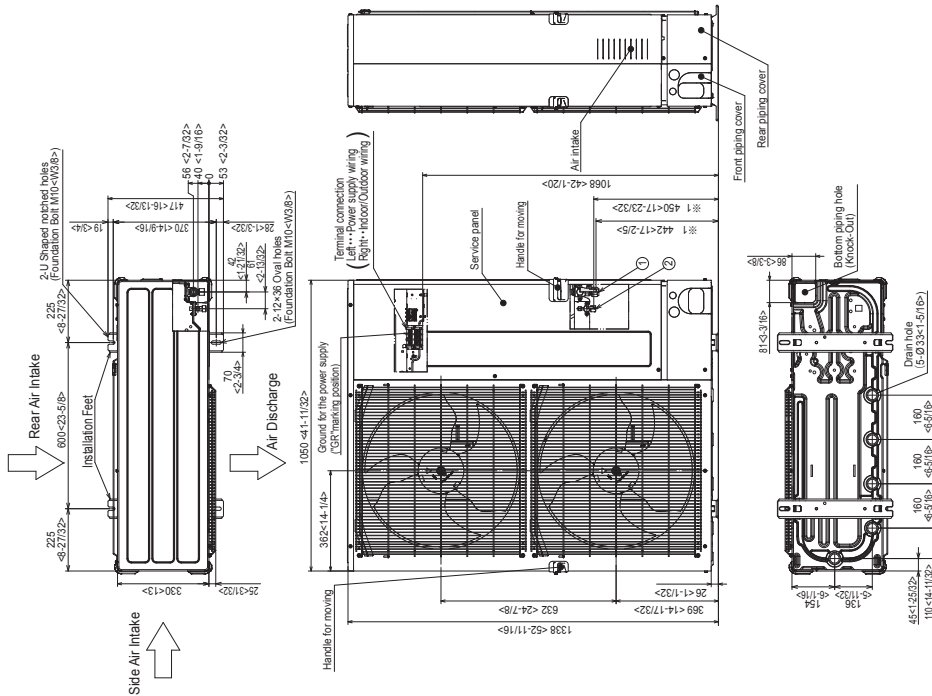
Note 1. Keep the service space for maintenance at the front.

Model	A	B	C	D	E	F	G	H	J	① Gas pipe	② Liquid pipe
PVA-A30AA4	534 (21)	477 (18-13/16)	382,6 (15-1/8)	266,5 (10-1/2)	1378 (54-1/4)	737 (29-1/16)	953,5 (37-9/16)	792 (31-3/16)	461 (18-3/16)	φ15,88 (5/8)	φ9,52 (3/8)
PVA-A36AA4	635	579	484,6	317,5	1511	798,5	1053	853,5	563		
PVA-A42AA4	(25)	(22-13/16)	(19-1/8)	(12-1/2)	(59-1/2)	(31-7/16)	(41-1/2)	(33-5/8)	(22-3/16)		

Model	③ Nominal Filter size	Duct Connection
PVA-A30AA4	508X508X25,4 (20X20X1)	477X402 (18-13/16X15-7/8)
PVA-A36AA4	508X609,6X25,4 (20X24X1)	579X402
PVA-A42AA4		(22-13/16X15-7/8)

PUZ-HA42NKA

Unit: mm<inch>



COOLING & HEATING

Satellite Boulevard, Suwanee, GA 30024
 Toll Free: 800-433-4822 www.mehvac.com

