

SERVICE PARTS LIST FOR MITSUBISHI ELECTRIC PACKAGED AIR-CONDITIONERS

Series : PUHY-P·T(S)KMU-A(-BS)
PUHY-P·Y(S)KMU-A(-BS)

For use with the R410A

REVISED

July 2014

BWE1206A

INDEX

PUHY-P72TKMU-A(-BS)
PUHY-P96TKMU-A(-BS)
PUHY-P120TKMU-A(-BS)
PUHY-P144TKMU-A(-BS)
PUHY-P72YKMU-A(-BS)
PUHY-P96YKMU-A(-BS)
PUHY-P120YKMU-A(-BS)
PUHY-P144YKMU-A(-BS)

Refer to the next page for the package names.

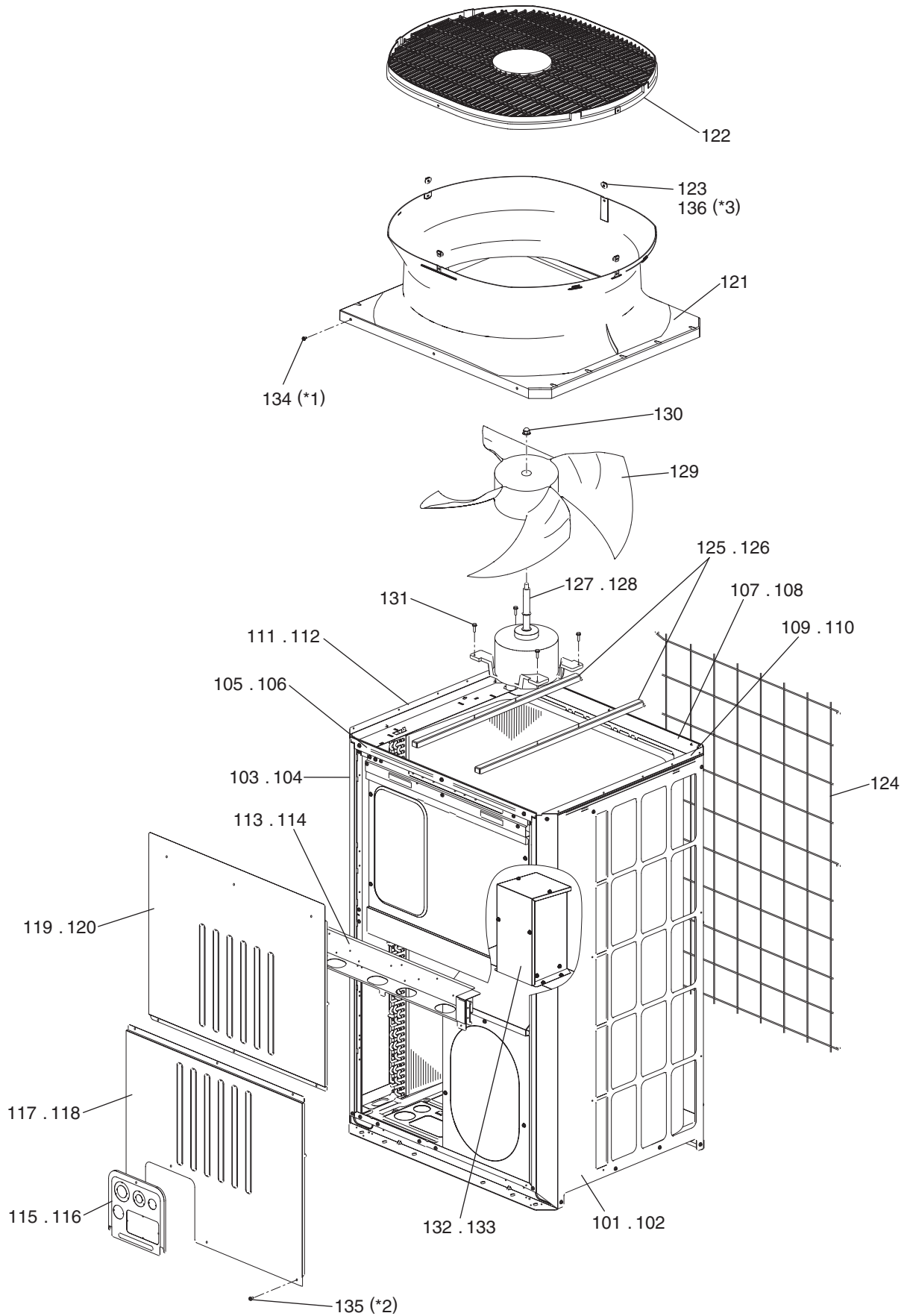
Part information update day : 2014/07/15

Please change the old catalog (issued Apr. 2012, No.BWE12060) to this new catalog.
Content of revision : Some of parts are changed.



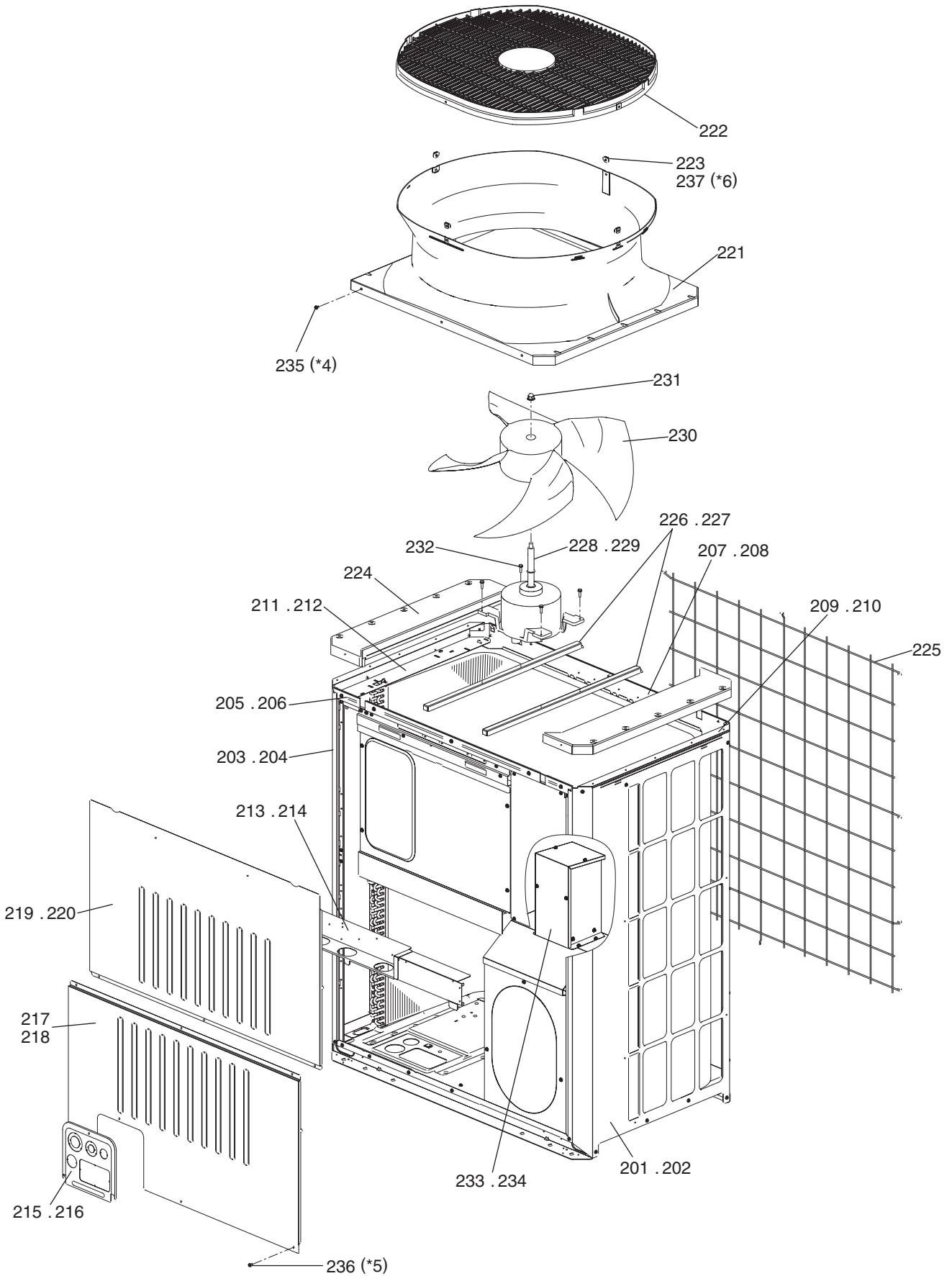
The Package name list

PUHY-P168TSKMU-A(-BS)	[PUHY-P72TKMU-A(-BS) + PUHY-P96TKMU-A(-BS)]
PUHY-P192TSKMU-A(-BS)	[PUHY-P72TKMU-A(-BS) + PUHY-P120TKMU-A(-BS)]
PUHY-P216TSKMU-A(-BS)	[PUHY-P96TKMU-A(-BS) + PUHY-P120TKMU-A(-BS)]
PUHY-P240TSKMU-A(-BS)	[PUHY-P120TKMU-A(-BS) + PUHY-P120TKMU-A(-BS)]
PUHY-P264TSKMU-A(-BS)	[PUHY-P72TKMU-A(-BS) + PUHY-P72TKMU-A(-BS) + PUHY-P120TKMU-A(-BS)]
PUHY-P288TSKMU-A(-BS)	[PUHY-P72TKMU-A(-BS) + PUHY-P96TKMU-A(-BS) + PUHY-P120TKMU-A(-BS)]
PUHY-P312TSKMU-A(-BS)	[PUHY-P72TKMU-A(-BS) + PUHY-P120TKMU-A(-BS) + PUHY-P120TKMU-A(-BS)]
PUHY-P336TSKMU-A(-BS)	[PUHY-P96TKMU-A(-BS) + PUHY-P120TKMU-A(-BS) + PUHY-P120TKMU-A(-BS)]
PUHY-P360TSKMU-A(-BS)	[PUHY-P96TKMU-A(-BS) + PUHY-P120TKMU-A(-BS) + PUHY-P144TKMU-A(-BS)]
PUHY-P144YSKMU-A(-BS)	[PUHY-P72YKMU-A(-BS) + PUHY-P72YKMU-A(-BS)]
PUHY-P168YSKMU-A(-BS)	[PUHY-P72YKMU-A(-BS) + PUHY-P96YKMU-A(-BS)]
PUHY-P192YSKMU-A(-BS)	[PUHY-P72YKMU-A(-BS) + PUHY-P120YKMU-A(-BS)]
PUHY-P216YSKMU-A(-BS)	[PUHY-P96YKMU-A(-BS) + PUHY-P120YKMU-A(-BS)]
PUHY-P240YSKMU-A(-BS)	[PUHY-P120YKMU-A(-BS) + PUHY-P120YKMU-A(-BS)]
PUHY-P264YSKMU-A(-BS)	[PUHY-P72YKMU-A(-BS) + PUHY-P72YKMU-A(-BS) + PUHY-P120YKMU-A(-BS)]
PUHY-P288YSKMU-A(-BS)	[PUHY-P72YKMU-A(-BS) + PUHY-P96YKMU-A(-BS) + PUHY-P120YKMU-A(-BS)]
PUHY-P312YSKMU-A(-BS)	[PUHY-P72YKMU-A(-BS) + PUHY-P120YKMU-A(-BS) + PUHY-P120YKMU-A(-BS)]
PUHY-P336YSKMU-A(-BS)	[PUHY-P96YKMU-A(-BS) + PUHY-P120YKMU-A(-BS) + PUHY-P120YKMU-A(-BS)]
PUHY-P360YSKMU-A(-BS)	[PUHY-P96YKMU-A(-BS) + PUHY-P120YKMU-A(-BS) + PUHY-P144YKMU-A(-BS)]



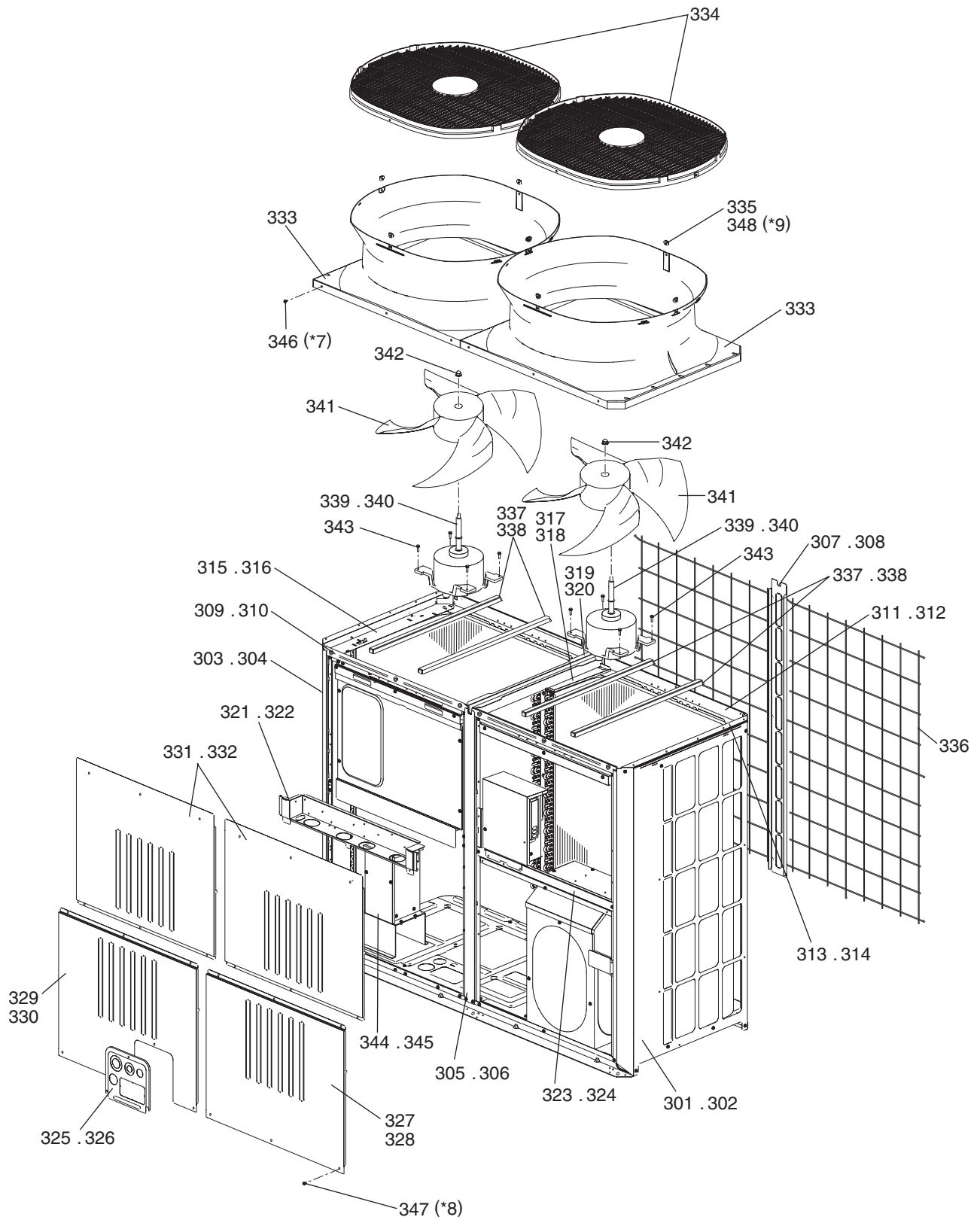
*1 PUHY-P72TKMU-A(-BS)...18 WFT Screws (part No.134), PUHY-P72YKMU-A(-BS)...34 WFT Screws (part No.134)
 *2 PUHY-P72TKMU-A(-BS)...82 H Screws (part No.135), PUHY-P72YKMU-A(-BS)...87 H Screws (part No.135)
 *3 4 WFT Screws (part No.136)

No.	Part No.	G : RoHS Apply Only W : RoHS Apply by Running Change		Spec.	PUHY-P72TKMU-A	PUHY-P72TKMU-A-BS	PUHY-P72YKMU-A	PUHY-P72YKMU-A-BS	Dwg. No.	Notes for the models	Revision info.
			Part Name								
101	R61 042 661	G	Panel R		1	1			KB02A370G03		
102	R61 041 661	G	Panel R	BS		1	1		KB02A370G04		
103	R61 206 651	G	Panel L		1	1			KB02A369G05		
104	R61 207 651	G	Panel L	BS		1	1		KB02A369G06		
105	R61 001 161	G	Frame F		1	1			KD02G738H02		
106	R61 002 161	G	Frame F	BS		1	1		KD02G738G03		Chg.
107	R63 078 162	G	Frame assy B		1	1			KD00L022G07		Chg.
108	R63 079 162	G	Frame assy B	BS		1	1		KD00L022G08		Chg.
109	R61 071 162	G	Frame assy LR		1	1			KD00L021G03		Chg.
110	R61 070 162	G	Frame assy LR	BS		1	1		KD00L021G04		Chg.
111	R61 069 162	G	Frame assy L		1	1			KD00L149G03		Chg.
112	R61 068 162	G	Frame assy L	BS		1	1		KD00L149G04		Chg.
113	R63 077 162	G	Frame assy M		1	1			KD00L159G07		Chg.
114	R63 080 162	G	Frame assy M	BS		1	1		KD00L159G08		Chg.
115	R61 120 690	G	Piping cover		1	1			KB02L912G07		
116	R61 121 690	G	Piping cover	BS		1	1		KB02L912G08		
117	R61 208 651	G	Panel FB		1	1			KB02J835H06		Chg.
118	R61 209 651	G	Panel FB	BS		1	1		KB02J835G10		Chg.
119	R61 177 651	G	Panel FU		1	1			KB02J839H01		
120	R61 178 651	G	Panel FU	BS		1	1		KB02J839G02		
121	R61 004 119	G	Bell mouth		1	1	1	1	KB25A368H03		
122	R61 007 118	G	Fan guard		1	1	1	1	KB25J857H04		
123	R61 009 669	G	Plate fan guard		4	4	4	4	KD02D205H02		
124	R63 008 611	G	Fin guard B		1	1	1	1	KB07N273G01		Chg.
125	R61 016 140	G	Base fan		2	2			KD02D026H01		
126	R61 017 140	G	Base fan	BS		2	2		KD02D026G03		Chg.
127	R61 166 220	G	Motor	L-920-A-1 T AC200-230-920W	1	1			P780224X01	208V-230V	
128	R61 167 220	G	Motor	L-920-B4-1 Y AC380-400-920W			1	1	P780225X01	460V	
129	R63 4H6 300	G	Fan		1	1	1	1	KB25A009H04		Chg.
130	R63 4H6 122	G	Box nut	M12 CH	1	1	1	1	P552000X01		
131	R61 028 087	G	Upset screw	M6 x 22	4	4	4	4	P516049X01		
132	R61 030 260	G	Transformer assy				1		KD00C027G03		
133	R61 031 260	G	Transformer assy	BS				1	KD00C027G04		
134	R63 006 087	G	WFT screw	M5 x 12 (30pcs)	1	1	2	2	KB00H418G01	*1	
135	R63 007 087	G	H screw	M5 x 10 KNURLED (30pcs)	3	3	3	3	KB00H418G14	*2	
136	R63 029 087	G	WFT screw	M5 x 16 (10pcs)	1	1	1	1	KD00H026G01	*3	Chg.



*4 PUHY-P96TKMU-A(-BS)...26 WFT Screws (part No.235), PUHY-P96YKMU-A(-BS)...42 WFT Screws (part No.235)
 *5 PUHY-P96TKMU-A(-BS)...86 H Screws (part No.236), PUHY-P96YKMU-A(-BS)...91 H Screws (part No.236)
 *6 4 WFT Screws (part No.237)

No.	Part No.	G : RoHS Apply Only W : RoHS Apply by Running Change	Part Name	Spec.	PUHY-P96TKMU-A	PUHY-P96TKMU-A-BS	PUHY-P96YKMU-A	PUHY-P96YKMU-A-BS	Dwg. No.	Notes for the models	Revision info.
202	R61 041 661	G	Panel R	BS		1	1		KB02A370G04		
203	R61 206 651	G	Panel L		1	1			KB02A369G05		
204	R61 207 651	G	Panel L	BS		1	1		KB02A369G06		
205	R61 003 161	G	Frame F		1	1			KD02G739H02		
206	R61 004 161	G	Frame F	BS		1	1		KD02G739G03		Chg.
207	R61 081 162	G	Frame assy B		1	1			KD00L213G07		
208	R61 082 162	G	Frame assy B	BS		1	1		KD00L213G08		
209	R61 071 162	G	Frame assy LR		1	1			KD00L021G03		Chg.
210	R61 070 162	G	Frame assy LR	BS		1	1		KD00L021G04		Chg.
211	R61 069 162	G	Frame assy L		1	1			KD00L149G03		Chg.
212	R61 068 162	G	Frame assy L	BS		1	1		KD00L149G04		Chg.
213	R61 083 162	G	Frame assy M		1	1			KD00L235G04		
214	R61 084 162	G	Frame assy M	BS		1	1		KD00L235G05		
215	R61 120 690	G	Piping cover		1	1			KB02L912G07		
216	R61 121 690	G	Piping cover	BS		1	1		KB02L912G08		
217	R61 210 651	G	Panel FB		1	1			KB02J836H03		
218	R61 211 651	G	Panel FB	BS		1	1		KB02J836G05		
219	R61 185 651	G	Panel FU		1	1			KB02J840H01		
220	R61 186 651	G	Panel FU	BS		1	1		KB02J840G02		
221	R61 004 119	G	Bell mouth		1	1	1	1	KB25A368H03		
222	R61 007 118	G	Fan guard		1	1	1	1	KB25J857H04		
223	R61 009 669	G	Plate fan guard		4	4	4	4	KD02D205H02		
224	R61 008 118	G	Fan guard cover		2	2	2	2	KB25J827H03		
225	R61 009 611	G	Fin guard B		1	1	1	1	KB07N274G01		
226	R61 016 140	G	Base fan		2	2			KD02D026H01		
227	R61 017 140	G	Base fan	BS		2	2		KD02D026G03		Chg.
228	R61 166 220	G	Motor	L-920-A-1 T AC200-230-920W	1	1			P780224X01	208V-230V	
229	R61 167 220	G	Motor	L-920-B4-1 Y AC380-400-920W			1	1	P780225X01	460V	
230	R63 4H6 300	G	Fan		1	1	1	1	KB25A009H04		Chg.
231	R63 4H6 122	G	Box nut	M12 CH	1	1	1	1	P552000X01		
232	R61 028 087	G	Upset screw	M6 x 22	4	4	4	4	P516049X01		
233	R61 030 260	G	Transformer assy				1		KD00C027G03		
234	R61 031 260	G	Transformer assy	BS				1	KD00C027G04		
235	R63 006 087	G	WFT Screw	M5 x 12 (30pcs)	1	1	2	2	KB00H418G01	*4	
236	R63 007 087	G	H Screw	M5 x 10 KNURLED (30pcs)	3	3	4	4	KB00H418G14	*5	
237	R63 029 087	G	WFT Screw	M5 x 16 (10pcs)	1	1	1	1	KD00H026G01	*6	Chg.



- *7 PUHY-P120,P144TKMU-A(-BS)...36 WFT Screws (part No.346),
 PUHY-P120,P144YKMU-A(-BS)...52 WFT Screws (part No.346)
- *8 PUHY-P120,P144TKMU-A(-BS)...130 H Screws (part No.347),
 PUHY-P120,P144YKMU-A(-BS)...138 H Screws (part No.347)
- *9 8 WFT Screws (part No.348)

PUHY-P120,P144TKMU-A(-BS)
 PUHY-P120,P144YKMU-A(-BS)

EXTERNAL PARTS & BLOWER PARTS (3)

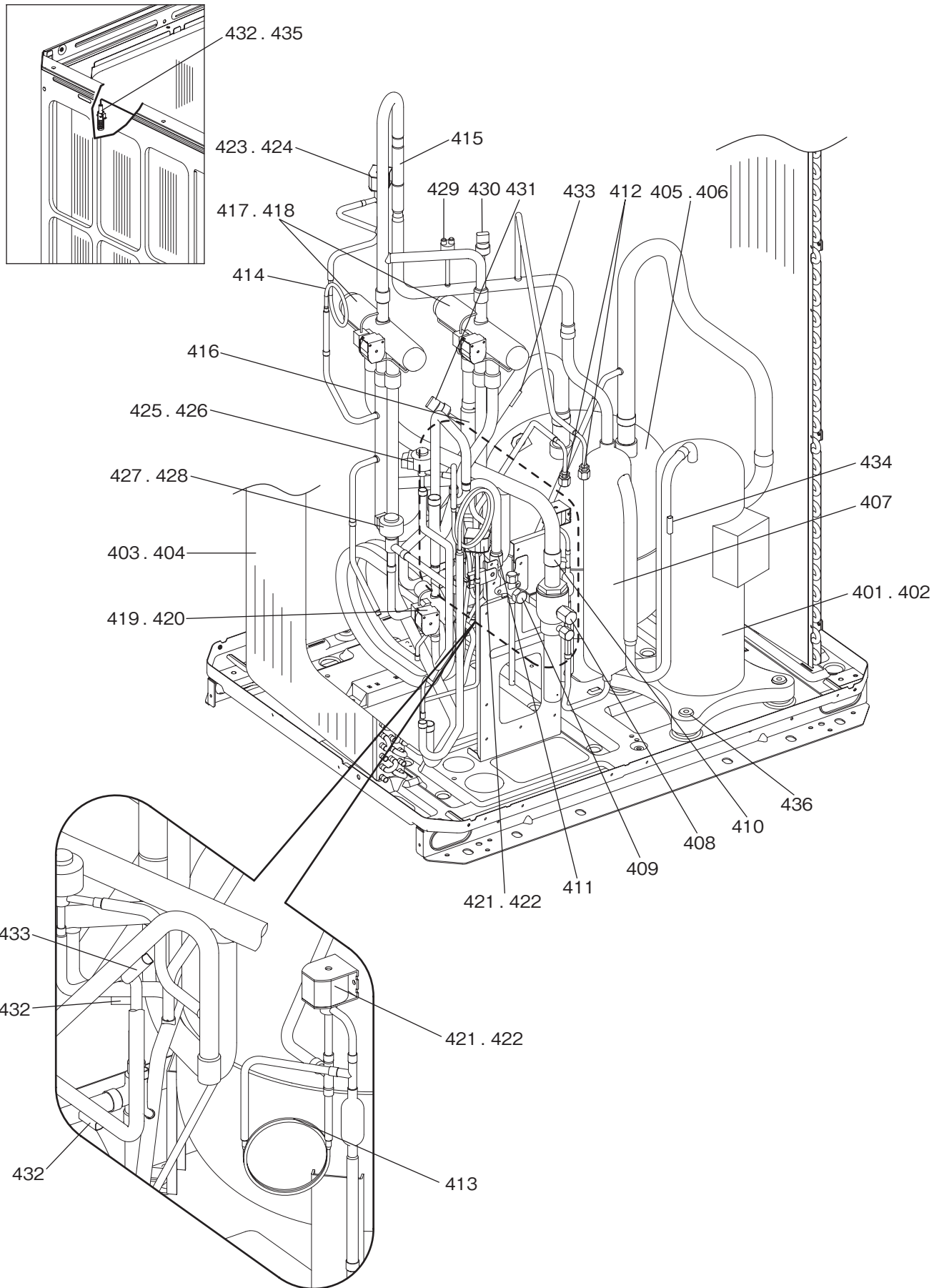
No.	Part No.	G : RoHS Apply Only W : RoHS Apply by Running Change	Part Name	Spec.	PUHY-P120TKMU-A	PUHY-P120TKMU-A-BS	PUHY-P144TKMU-A	PUHY-P144TKMU-A-BS	PUHY-P120YKMU-A	PUHY-P120YKMU-A-BS	Dwg. No.	Notes for the models	Revision info.
301	R61 042 661	G	Panel R		1		1		1		KB02A370G03		
302	R61 041 661	G	Panel R	BS		1		1		1	KB02A370G04		
303	R61 206 651	G	Panel L		1		1		1		KB02A369G05		
304	R61 207 651	G	Panel L	BS		1		1		1	KB02A369G06		
305	R61 022 626	G	Pillar assy MF		1		1		1		KD00R845G09		Chg.
306	R61 023 626	G	Pillar assy MF	BS		1		1		1	KD00R845G10		Chg.
307	R61 020 626	G	Pillar MB		1		1		1		KB02J843G01		
308	R61 019 626	G	Pillar MB	BS		1		1		1	KB02J843G02		
309	R61 061 162	G	Frame assy F		1		1		1		KD00L182G03		
310	R61 060 162	G	Frame assy F	BS		1		1		1	KD00L182G05		Chg.
311	R61 085 162	G	Frame assy B		1		1		1		KD00L073G07		
312	R61 086 162	G	Frame assy B	BS		1		1		1	KD00L073G08		
313	R61 071 162	G	Frame assy LR		1		1		1		KD00L021G03		Chg.
314	R61 070 162	G	Frame assy LR	BS		1		1		1	KD00L021G04		Chg.
315	R61 069 162	G	Frame assy L		1		1		1		KD00L149G03		Chg.
316	R61 068 162	G	Frame assy L	BS		1		1		1	KD00L149G04		Chg.
317	R61 003 499	G	Plate HEX assy		1		1		1		KB00T714G01		
318	R61 004 499	G	Plate HEX assy	BS		1		1		1	KB00T714G02		
319	R61 072 162	G	Frame MT		1		1		1		KB02J833H01		
320	R61 073 162	G	Frame MT	BS		1		1		1	KB02J833G01		
321	R63 087 162	G	Frame M assy		1		1		1		KD00L159G09		Chg.
322	R63 088 162	G	Frame M assy	BS		1		1		1	KD00L159G10		Chg.
323	R61 058 162	G	Frame MR		1		1		1		KD02G743H04		
324	R61 059 162	G	Frame MR	BS		1		1		1	KD02G743G02		
325	R61 120 690	G	Piping cover		1		1		1		KB02L912G07		
326	R61 121 690	G	Piping cover	BS		1		1		1	KB02L912G08		
327	R61 212 651	G	Panel FBR		1		1		1		KB02J838H04		Chg.
328	R61 213 651	G	Panel FBR	BS		1		1		1	KB02J838G06		Chg.
329	R61 182 651	G	Panel FBL		1		1		1		KB02J837H02		Chg.
330	R61 183 651	G	Panel FBL	BS		1		1		1	KB02J837G04		Chg.
331	R61 177 651	G	Panel FU		2		2		2		KB02J839H01		
332	R61 178 651	G	Panel FU	BS		2		2		2	KB02J839G02		
333	R61 005 119	G	Bell mouth		2	2	2	2	2	2	KB25A367H03		
334	R61 007 118	G	Fan guard		2	2	2	2	2	2	KB25J857H04		
335	R61 009 669	G	Plate Fan guard		8	8	8	8	8	8	KD02D205H02		
336	R61 010 611	G	Fin guard B		2	2	2	2	2	2	KB07N272G01		
337	R61 016 140	G	Base fan		4		4		4		KD02D026H01		
338	R61 017 140	G	Base fan	BS		4		4		4	KD02D026G03		Chg.
339	R61 166 220	G	Motor	L-920-A-1 T AC200-230-920W	2	2	2	2			P780224X01	208V-230V	
340	R61 167 220	G	Motor	L-920-B4-1 Y AC380-400-920W					2	2	P780225X01	460V	
341	R63 4H6 300	G	Fan		2	2	2	2	2	2	KB25A009H04		Chg.
342	R63 4H6 122	G	Box nut	M12 CH	2	2	2	2	2	2	P552000X01		
343	R61 028 087	G	Upset Screw	M6 x 22	8	8	8	8	8	8	P516049X01		
344	R61 030 260	G	Transformer assy							1	KD00C027G03		
345	R61 031 260	G	Transformer assy	BS						1	KD00C027G04		

**PUHY-P120,P144TKMU-A(-BS)
PUHY-P120,P144YKMU-A(-BS)**

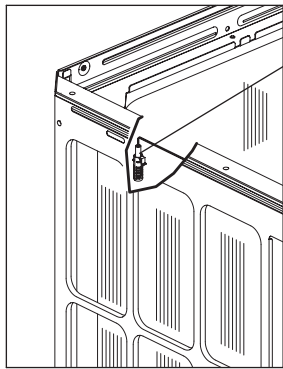
EXTERNAL PARTS & BLOWER PARTS (3)

No.	Part No.	G : RoHS Apply Only W : RoHS Apply by Running Change	Part Name	Spec.	PUHY-P144TKMU-A	PUHY-P144YKMU-A					Dwg. No.	Notes for the models	Revision info.
301	R61 042 661	G	Panel R		1						KB02A370G03		
302	R61 041 661	G	Panel R	BS		1					KB02A370G04		
303	R61 206 651	G	Panel L		1						KB02A369G05		
304	R61 207 651	G	Panel L	BS		1					KB02A369G06		
305	R61 022 626	G	Pillar assy MF		1						KD00R845G09		Chg.
306	R61 023 626	G	Pillar assy MF	BS		1					KD00R845G10		Chg.
307	R61 020 626	G	Pillar MB		1						KB02J843G01		
308	R61 019 626	G	Pillar MB	BS		1					KB02J843G02		
309	R61 061 162	G	Frame assy F		1						KD00L182G03		
310	R61 060 162	G	Frame assy F	BS		1					KD00L182G05		Chg.
311	R61 085 162	G	Frame assy B		1						KD00L073G07		
312	R61 086 162	G	Frame assy B	BS		1					KD00L073G08		
313	R61 071 162	G	Frame assy LR		1						KD00L021G03		Chg.
314	R61 070 162	G	Frame assy LR	BS		1					KD00L021G04		Chg.
315	R61 069 162	G	Frame assy L		1						KD00L149G03		Chg.
316	R61 068 162	G	Frame assy L	BS		1					KD00L149G04		Chg.
317	R61 003 499	G	Plate HEX assy		1						KB00T714G01		
318	R61 004 499	G	Plate HEX assy	BS		1					KB00T714G02		
319	R61 072 162	G	Frame MT		1						KB02J833H01		
320	R61 073 162	G	Frame MT	BS		1					KB02J833G01		
321	R63 087 162	G	Frame M assy		1						KD00L159G09		Chg.
322	R63 088 162	G	Frame M assy	BS		1					KD00L159G10		Chg.
323	R61 058 162	G	Frame MR		1						KD02G743H04		
324	R61 059 162	G	Frame MR	BS		1					KD02G743G02		
325	R61 120 690	G	Piping cover		1						KB02L912G07		
326	R61 121 690	G	Piping cover	BS		1					KB02L912G08		
327	R61 212 651	G	Panel FBR		1						KB02J838H04		Chg.
328	R61 213 651	G	Panel FBR	BS		1					KB02J838G06		Chg.
329	R61 182 651	G	Panel FBL		1						KB02J837H02		Chg.
330	R61 183 651	G	Panel FBL	BS		1					KB02J837G04		Chg.
331	R61 177 651	G	Panel FU		2						KB02J839H01		
332	R61 178 651	G	Panel FU	BS		2					KB02J839G02		
333	R61 005 119	G	Bell mouth		2	2					KB25A367H03		
334	R61 007 118	G	Fan guard		2	2					KB25J857H04		
335	R61 009 669	G	Plate Fan guard		8	8					KD02D205H02		
336	R61 010 611	G	Fin guard B		2	2					KB07N272G01		
337	R61 016 140	G	Base fan		4						KD02D026H01		
338	R61 017 140	G	Base fan	BS		4					KD02D026G03		Chg.
339	R61 166 220	G	Motor	L-920-A-1 T AC200-230-920W							P780224X01	208V-230V	
340	R61 167 220	G	Motor	L-920-B4-1 Y AC380-400-920W	2	2					P780225X01	460V	
341	R63 4H6 300	G	Fan		2	2					KB25A009H04		Chg.
342	R63 4H6 122	G	Box nut	M12 CH	2	2					P552000X01		
343	R61 028 087	G	Upset Screw	M6 x 22	8	8					P516049X01		
344	R61 030 260	G	Transformer assy		1						KD00C027G03		
345	R61 031 260	G	Transformer assy	BS		1					KD00C027G04		

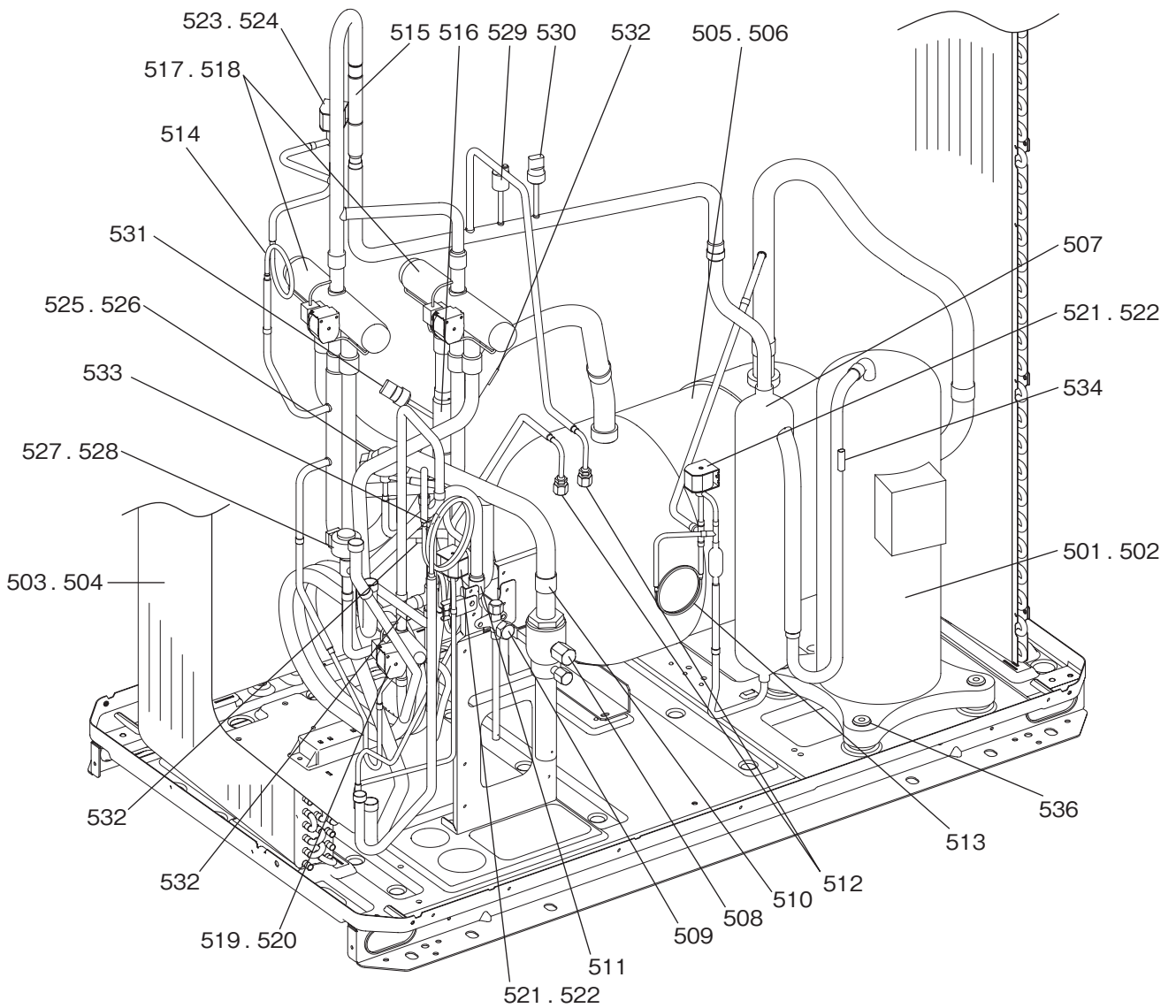
No.	Part No.	G : RoHS Apply Only W : RoHS Apply by Running Change		Spec.	PUHY-P144TKMU-A	PUHY-P144YKMU-A(-BS)				Dwg. No.	Notes for the models	Revision info.
			Part Name									
346	R63 006 087	G	WFT Screw	M5 x 12 (30pcs)	2	2				KB00H418G01	*7	
347	R63 007 087	G	H Screw	M5 x 10 KNURLED (30pcs)	5	5				KB00H418G14	*8	
348	R63 029 087	G	WFT Screw	M5 x 16 (10pcs)	1	1				KD00H026G01	*9	Chg.



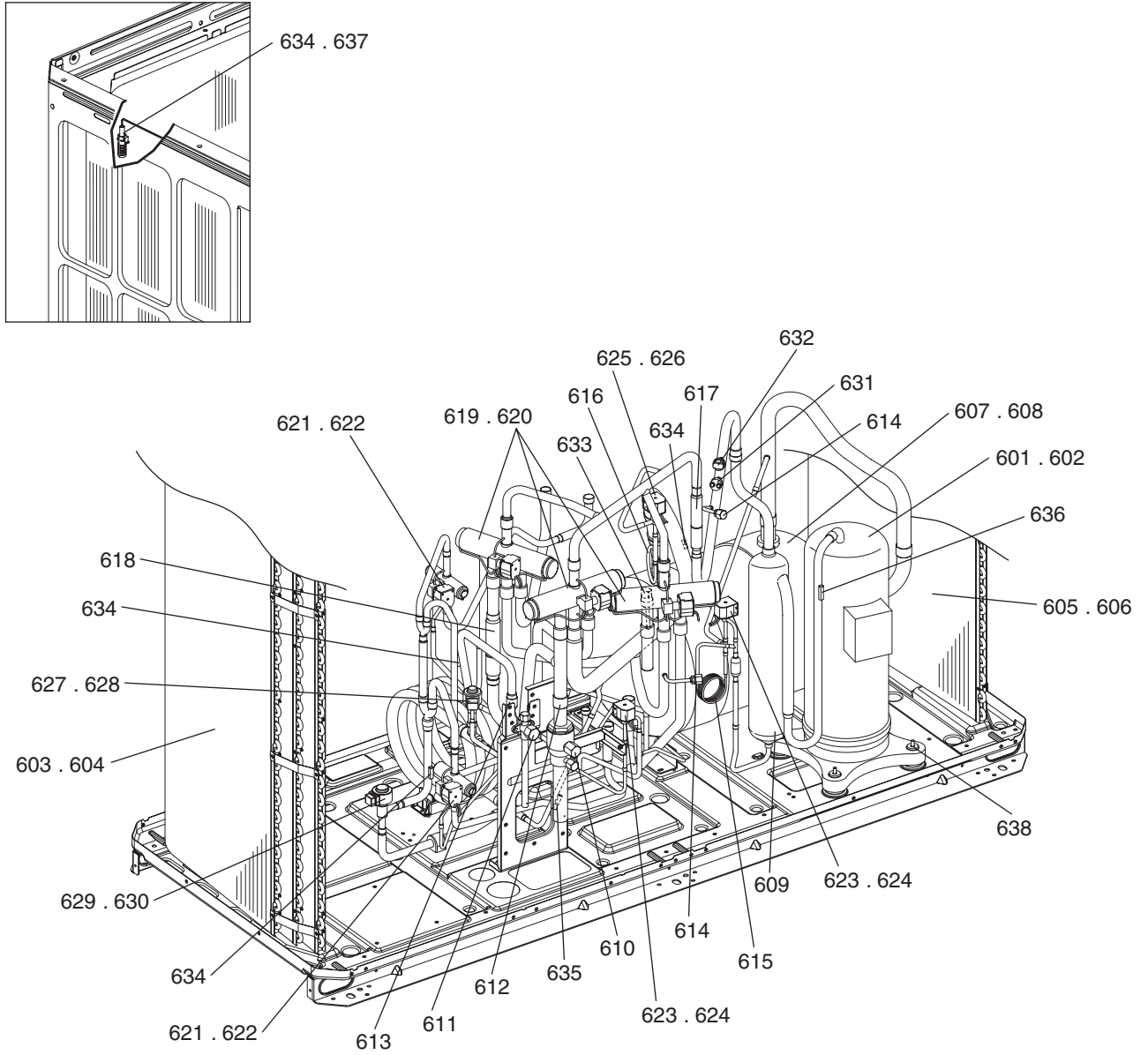
No.	Part No.	G : RoHS Apply Only W : RoHS Apply by Running Change		Spec.	PUHY-P72TKMU-A	PUHY-P72TKMU-A-BS	PUHY-P72YKMU-A	PUHY-P72YKMU-A-BS	Dwg. No.	Notes for the models	Revision info.
			Part Name								
401	R69 092 478		Scroll compressor	ENB62FA-U	1	1			EP10132B02	208V-230V	
402	R69 093 478		Scroll compressor	ENB62FA-YE			1	1	EP10132B03	460V	
403	R63 638 480	G	Heat exchanger	3L	1		1		KD01R785G01		Chg.
404	R63 639 480	G	Heat exchanger	3L BS		1		1	KD01R785G02		Chg.
405	R61 041 484	G	Accumulator assy		1		1		KB54B478G15		
406	R61 042 484	G	Accumulator assy	BS		1		1	KB54B478G16		
407	R61 032 487	G	Oil separator assy		1	1	1	1	KD00R796G01		
408	R61 009 410	G	Ball valve	JA10YGME 4.15MPA D25	1	1	1	1	P636358X01	<BV1>	
409	R61 003 540	G	Valve	VSAMH3SSCM-LA1	1	1	1	1	P636346X01	<BV2>	
410	R61 008 454	G	Strainer	25.4D	1	1	1	1	KB48K250G01	<ST1>	
411	R63 Y03 454	G	Strainer	17.6D	1	1	1	1	W893281G01	<ST2>	
412	R61 004 413	G	Check joint L	R410A	2	2	2	2	P666013X01	<(HP)CJ1,(LP)CJ2>	
413	R63 002 425	G	Capillary tube assy		1	1	1	1	KB49F229G01	<CP1>	
414	R63 021 425	G	Capillary tube		1	1	1	1	KD49D414G01	<CP2>	Chg.
415	R61 005 418	G	Check valve	YAV R410A CV3.5	1	1	1	1	P633133X01	<CV1>	
416	R61 003 418	G	Check valve	LCVP157M CV8.5	1	1	1	1	P639180X01	<CV2>	
417	R63 Y05 154	G	Four way valve	STF-07	2	2	2	2	P633119X01	<21S4a,21S4b>	
418	R61 Y21 243	W	Four way valve coil	STF-01 208-230V	2	2	2	2	P472028X01	<21S4a,21S4b>	
419	R63 004 421	G	Two way valve	VR43202 CV 7.4 OFF-OPEN	1	1	1	1	P633129X02	<SV5b>	Chg.
420	R61 028 243	W	Two way valve coil	SQ-230V L1500	1	1	1	1	P472084X01	<SV5b>	
421	R63 046 232	G	Solenoid valve	FD2A77 SV CV0.07	2	2	2	2	P631312X01	<SV1a,SV9>	Chg.
422	R61 029 243	G	Solenoid valve coil	FQD808 230V L1500	2	2	2	2	P472086X01	<SV1a,SV9>	
423	R63 001 921	G	Solenoid valve	VPV R410A	1	1	1	1	P631295X01	<SV2>	
424	R61 011 243	G	Solenoid valve coil	VPV UL AC208V-230V 60HZ	1	1	1	1	P472047X01	<SV2>	
425	R63 4H6 401	G	Linear expansion valve	CAM35-S R410A	1	1	1	1	P632444X01	<LEV1>	
426	R63 011 401	G	Solenoid valve coil	DC12V D17.35 POLE6	1	1	1	1	P472059X02	<LEV1>	
427	R61 036 401	G	Linear expansion valve	CV 20TON(PAM)	1	1	1	1	P632504X01	<LEV2>	
428	R61 022 243	G	Solenoid valve coil	PAM DC12V 6POLE	1	1	1	1	P472061X02	<LEV2>	
429	R63 Y11 208	G	Pressure switch	ACB1UB28W	1	1	1	1	P426320X01	<63H1>	
430	R63 049 288	G	Pressure sensor	HP	1	1	1	1	KB00H904G20	<63HS1>	Chg.
431	R63 050 288	G	Pressure sensor	LP	1	1	1	1	KB00H904G21	<63LS>	Chg.
432	R61 060 200	G	Thermistor	CHIP TH. 15K	3	3	3	3	P418065X01	<TH2,TH3,TH7>	
433	R63 172 200	G	Thermistor	8D-2500L R0/15K B0/3465K	2	2	2	2	P418098X01	<TH5,TH6>	Chg.
434	R63 911 202	G	Thermistor		1	1	1	1	P425416X02	<TH4>	
435	R61 001 310	G	Sensor holder		1	1	1	1	KB25B471H03		
436	R63 852 860	G	Rubber mount		4	4	4	4	W897574H01	For compressor	



532 . 535



No.	Part No.	G : RoHS Apply Only W : RoHS Apply by Running Change		Spec.	PUHY-P96TKMU-A	PUHY-P96TKMU-A-BS	PUHY-P96YKMU-A	PUHY-P96YKMU-A-BS		Dwg. No.	Notes for the models	Revision info.	
		Part Name											
501	R69 094 478			Scroll compressor	HNB83FA-U	1	1				EP10136B01	208V-230V	
502	R69 096 478			Scroll compressor	HNB83FA-YE			1	1		EP10136B02	460V	
503	R61 640 480	G		Heat exchanger	3L	1	1				KD01R776G01		
504	R61 641 480	G		Heat exchanger	3L BS		1	1			KD01R776G02		
505	R61 091 484	G		Accumulator assy		1	1				KB54B479G29		
506	R61 090 484	G		Accumulator assy	BS		1	1			KB54B479G30		
507	R61 032 487	G		Oil separator assy		1	1	1	1		KD00R796G01		
508	R61 009 410	G		Ball valve	JA10YGME 4.15MPA D25	1	1	1	1		P636358X01	<BV1>	
509	R61 003 540	G		Valve	VSAMH3SSCM-LA1	1	1	1	1		P636346X01	<BV2>	
510	R61 008 454	G		Strainer	25.4D	1	1	1	1		KB48K250G01	<ST1>	
511	R63 Y03 454	G		Strainer	17.6D	1	1	1	1		W893281G01	<ST2>	
512	R61 004 413	G		Check joint L	R410A	2	2	2	2		P666013X01	<(HP)CJ1,(LP)CJ2>	
513	R63 002 425	G		Capillary tube assy		1	1	1	1		KB49F229G01	<CP1>	
514	R63 021 425	G		Capillary tube		1	1	1	1		KD49D414G01	<CP2>	Chg.
515	R61 005 418	G		Check valve	YAV R410A CV3.5	1	1	1	1		P633133X01	<CV1>	
516	R61 003 418	G		Check valve	LCVP157M CV8.5	1	1	1	1		P639180X01	<CV2>	
517	R63 Y05 154	G		Four way valve	STF-07	2	2	2	2		P633119X01	<21S4a,21S4b>	
518	R61 Y21 243	W		Four way valve coil	STF-01 208-230V	2	2	2	2		P472028X01	<21S4a,21S4b>	
519	R63 004 421	G		Two way valve	VR43202 CV 7.4 OFF-OPEN	1	1	1	1		P633129X02	<SV5b>	Chg.
520	R61 028 243	W		Two way valve coil	SQ-230V L1500	1	1	1	1		P472084X01	<SV5b>	
521	R63 046 232	G		Solenoid valve	FD2A77 SV CV0.07	2	2	2	2		P631312X01	<SV1a,SV9>	Chg.
522	R61 029 243	G		Solenoid valve coil	FQD808 230V L1500	2	2	2	2		P472086X01	<SV1a,SV9>	
523	R63 001 921	G		Solenoid valve	VPV R410A	1	1	1	1		P631295X01	<SV2>	
524	R61 011 243	G		Solenoid valve coil	VPV UL AC208V-230V 60HZ	1	1	1	1		P472047X01	<SV2>	
525	R63 4H6 401	G		Linear expansion valve	CAM35-S R410A	1	1	1	1		P632444X01	<LEV1>	
526	R63 011 401	G		Solenoid valve coil	DC12V D17.35 POLE6	1	1	1	1		P472059X02	<LEV1>	
527	R61 036 401	G		Linear expansion valve	CV 20TON(PAM)	1	1	1	1		P632504X01	<LEV2>	
528	R61 022 243	G		Solenoid valve coil	PAM DC12V 6POLE	1	1	1	1		P472061X02	<LEV2>	
529	R63 Y11 208	G		Pressure switch	ACB1UB28W	1	1	1	1		P426320X01	<63H1>	
530	R63 049 288	G		Pressure sensor	HP	1	1	1	1		KB00H904G20	<63HS1>	Chg.
531	R63 050 288	G		Pressure sensor	LP	1	1	1	1		KB00H904G21	<63LS>	Chg.
532	R61 060 200	G		Thermistor	CHIP TH. 15K	4	4	4	4		P418065X01	<TH2,TH3,TH5,TH7>	
533	R63 172 200	G		Thermistor	8D-2500L R0/15K B0/3465K	1	1	1	1		P418098X01	<TH6>	Chg.
534	R63 911 202	G		Thermistor		1	1	1	1		P425416X02	<TH4>	
535	R61 001 310	G		Sensor holder		1	1	1	1		KB25B471H03		
536	R63 852 860	G		Rubber mount		4	4	4	4		W897574H01	For compressor	



PUHY-P120,P144TKMU-A(-BS)
PUHY-P120,P144YKMU-A(-BS)

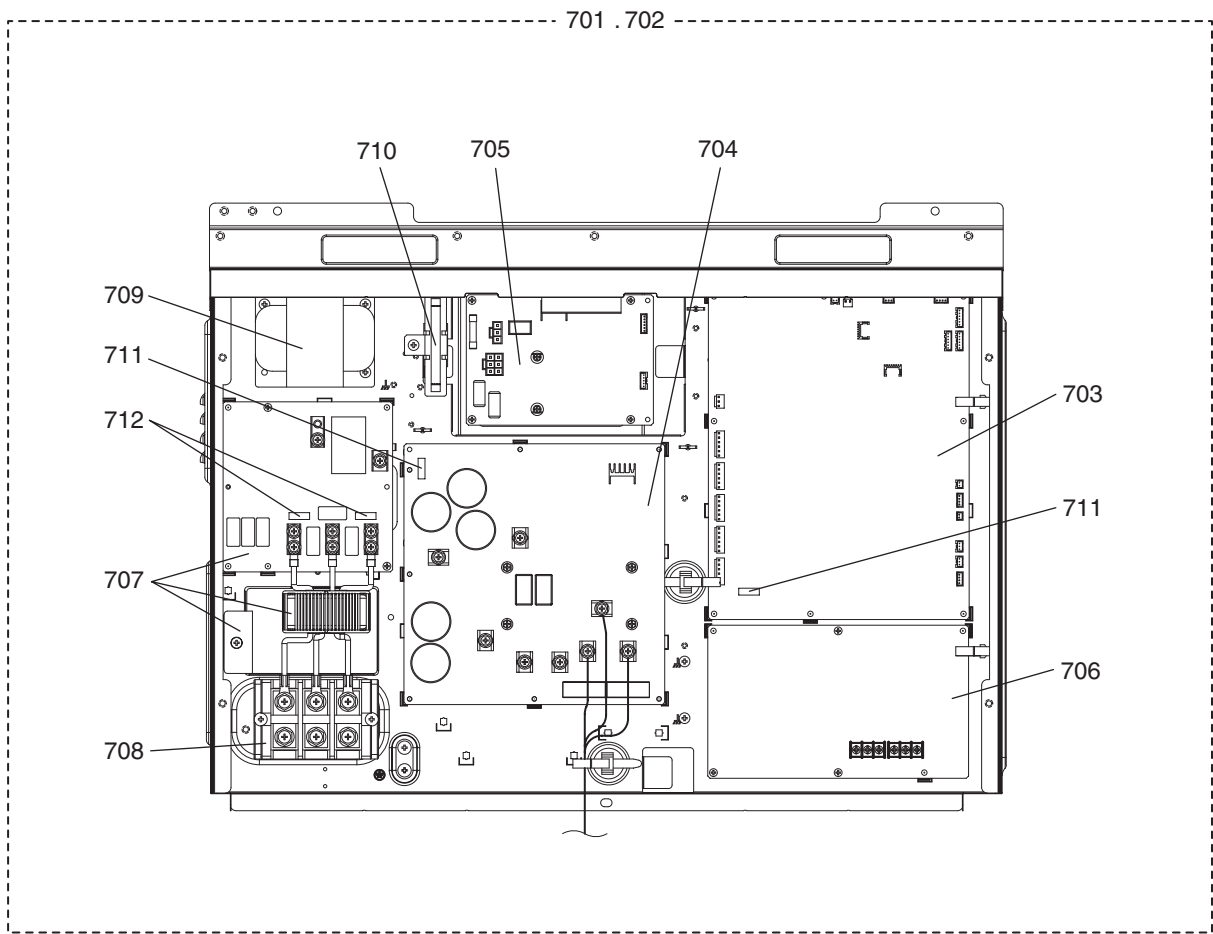
FUNCTIONAL PARTS (3)

No.	Part No.	G : RoHS Apply Only W : RoHS Apply by Running Change		Spec.	PUHY-P120TKMU-A	PUHY-P120YKMU-A-BS	PUHY-P144TKMU-A	PUHY-P144YKMU-A-BS	PUHY-P120TKMU-A	PUHY-P120YKMU-A-BS	Dwg. No.	Notes for the models	Revision info.
		Part Name											
601	R69 094 478			Scroll compressor	HNB83FA-U	1	1	1	1		EP10136B01	208V-230V	
602	R69 096 478			Scroll compressor	HNB83FA-YE					1	EP10136B02	460V	
603	R61 642 480	G		Heat exchanger L	3L	1		1		1	KD01R771G01		
604	R61 643 480	G		Heat exchanger L	3L BS		1		1		KD01R771G02		
605	R63 644 480	G		Heat exchanger R	3L	1		1		1	KD01R885G01		Chg.
606	R63 645 480	G		Heat exchanger R	3L BS		1		1		KD01R885G02		Chg.
607	R61 089 484	G		Accumulator assy		1		1		1	KB54B479G31		
608	R61 088 484	G		Accumulator assy	BS		1		1		KB54B479G32		
609	R61 032 487	G		Oil separator assy		1	1	1	1	1	KD00R796G01		
610	R61 009 410	G		Ball valve	JA10YGME 4.15MPA D25	1	1	1	1	1	P636358X01	<BV1>	
611	R61 004 540	G		Valve	VSAMH4SSCM-LA1	1	1	1	1	1	P636345X01	<BV2>	
612	R61 008 454	G		Strainer	25.4D	1	1	1	1	1	KB48K250G01	<ST1>	
613	R63 Y03 454	G		Strainer	17.6D	1	1	1	1	1	W893281G01	<ST2>	
614	R63 R34 413	G		Check joint L	R410A	2	2	2	2	2	P666004X02	<(HP)CJ1,(LP)CJ2>	
615	R63 R55 425	G		Capillary tube assy		1	1	1	1	1	W905191G02	<CP1>	
616	R63 021 425	G		Capillary tube		1	1	1	1	1	KD49D414G01	<CP2>	Chg.
617	R61 005 418	G		Check valve	YAV R410A CV3.5	1	1	1	1	1	P633133X01	<CV1>	
618	R61 003 418	G		Check valve	LCVP157M CV8.5	1	1	1	1	1	P639180X01	<CV2>	
619	R63 Y05 154	G		Four way valve	STF-07	3	3	3	3	3	P633119X01	<21S4a,21S4b,21S4c>	
620	R61 Y21 243	W		Four way valve coil	STF-01 208-230V	3	3	3	3	3	P472028X01	<21S4a,21S4b,21S4c>	
621	R63 004 421	G		Two way valve	VR43202 CV 7.4 OFF-OPEN	2	2	2	2	2	P633129X02	<SV5b,SV5c>	Chg.
622	R61 028 243	W		Two way valve coil	SQ-230V L1500	2	2	2	2	2	P472084X01	<SV5b,SV5c>	
623	R63 046 232	G		Solenoid valve	FDF2A77 SV CV0.07	2	2	2	2	2	P631312X01	<SV1a,SV9>	Chg.
624	R61 029 243	G		Solenoid valve coil	FQD808 230V L1500	2	2	2	2	2	P472086X01	<SV1a,SV9>	
625	R63 001 921	G		Solenoid valve	VPV R410A	1	1	1	1	1	P631295X01	<SV2>	
626	R61 011 243	G		Solenoid valve coil	VPV UL AC208V-230V 60HZ	1	1	1	1	1	P472047X01	<SV2>	
627	R63 4H6 401	G		Linear expansion valve	CAM35-S R410A	1	1	1	1	1	P632444X01	<LEV1>	
628	R63 011 401	G		Solenoid valve coil	DC12V D17.35 POLE6	1	1	1	1	1	P472059X02	<LEV1>	
629	R61 036 401	G		Linear expansion valve	CV 20TON(PAM)	1	1	1	1	1	P632504X01	<LEV2>	
630	R61 022 243	G		Solenoid valve coil	PAM DC12V 6POLE	1	1	1	1	1	P472061X02	<LEV2>	
631	R63 Y11 208	G		Pressure switch	ACB1UB28W	1	1	1	1	1	P426320X01	<63H1>	
632	R63 051 288	G		Pressure sensor	HP	1	1	1	1	1	KB00F899G33	<63HS1>	Chg.
633	R63 025 288	G		Pressure sensor	LP	1	1	1	1	1	KB00F899G13	<63LS>	
634	R61 060 200	G		Thermistor	CHIP TH. 15K	4	4	4	4	4	P418065X01	<TH3,TH5,TH6,TH7>	
635	R63 172 200	G		Thermistor	8D-2500L R0/15K B0/3465K	1	1	1	1	1	P418098X01	<TH2>	Chg.
636	R63 911 202	G		Thermistor		1	1	1	1	1	P425416X02	<TH4>	
637	R61 001 310	G		Sensor holder		1	1	1	1	1	KB25B471H03		
638	R63 852 860	G		Rubber mount		4	4	4	4	4	W897574H01	For compressor	

**PUHY-P120,P144TKMU-A(-BS)
PUHY-P120,P144YKMU-A(-BS)**

FUNCTIONAL PARTS (3)

No.	Part No.	G : RoHS Apply Only W : RoHS Apply by Running Change		Spec.	PUHY-P144TKMU-A PUHY-P144YKMU-A-BS						Dwg. No.	Notes for the models	Revision info.
		Part Name											
601	R69 094 478			Scroll compressor	HNB83FA-U						EP10136B01	208V-230V	
602	R69 096 478			Scroll compressor	HNB83FA-YE	1	1				EP10136B02	460V	
603	R61 642 480	G		Heat exchanger L	3L	1					KD01R771G01		
604	R61 643 480	G		Heat exchanger L	3L BS		1				KD01R771G02		
605	R63 644 480	G		Heat exchanger R	3L	1					KD01R885G01		Chg.
606	R63 645 480	G		Heat exchanger R	3L BS		1				KD01R885G02		Chg.
607	R61 089 484	G		Accumulator assy		1					KB54B479G31		
608	R61 088 484	G		Accumulator assy	BS		1				KB54B479G32		
609	R61 032 487	G		Oil separator assy		1	1				KD00R796G01		
610	R61 009 410	G		Ball valve	JA10YGME 4.15MPA D25	1	1				P636358X01	<BV1>	
611	R61 004 540	G		Valve	VSAMH4SSCM-LA1	1	1				P636345X01	<BV2>	
612	R61 008 454	G		Strainer	25.4D	1	1				KB48K250G01	<ST1>	
613	R63 Y03 454	G		Strainer	17.6D	1	1				W893281G01	<ST2>	
614	R63 R34 413	G		Check joint L	R410A	2	2				P666004X02	<(HP)CJ1,(LP)CJ2>	
615	R63 R55 425	G		Capillary tube assy		1	1				W905191G02	<CP1>	
616	R63 021 425	G		Capillary tube		1	1				KD49D414G01	<CP2>	Chg.
617	R61 005 418	G		Check valve	YAV R410A CV3.5	1	1				P633133X01	<CV1>	
618	R61 003 418	G		Check valve	LCVP157M CV8.5	1	1				P639180X01	<CV2>	
619	R63 Y05 154	G		Four way valve	STF-07	3	3				P633119X01	<21S4a,21S4b,21S4c>	
620	R61 Y21 243	W		Four way valve coil	STF-01 208-230V	3	3				P472028X01	<21S4a,21S4b,21S4c>	
621	R63 004 421	G		Two way valve	VR43202 CV 7.4 OFF-OPEN	2	2				P633129X02	<SV5b,SV5c>	Chg.
622	R61 028 243	W		Two way valve coil	SQ-230V L1500	2	2				P472084X01	<SV5b,SV5c>	
623	R63 046 232	G		Solenoid valve	FDF2A77 SV CV0.07	2	2				P631312X01	<SV1a,SV9>	Chg.
624	R61 029 243	G		Solenoid valve coil	FQD808 230V L1500	2	2				P472086X01	<SV1a,SV9>	
625	R63 001 921	G		Solenoid valve	VPV R410A	1	1				P631295X01	<SV2>	
626	R61 011 243	G		Solenoid valve coil	VPV UL AC208V-230V 60HZ	1	1				P472047X01	<SV2>	
627	R63 4H6 401	G		Linear expansion valve	CAM35-S R410A	1	1				P632444X01	<LEV1>	
628	R63 011 401	G		Solenoid valve coil	DC12V D17.35 POLE6	1	1				P472059X02	<LEV1>	
629	R61 036 401	G		Linear expansion valve	CV 20TON(PAM)	1	1				P632504X01	<LEV2>	
630	R61 022 243	G		Solenoid valve coil	PAM DC12V 6POLE	1	1				P472061X02	<LEV2>	
631	R63 Y11 208	G		Pressure switch	ACB1UB28W	1	1				P426320X01	<63H1>	
632	R63 051 288	G		Pressure sensor	HP	1	1				KB00F899G33	<63HS1>	Chg.
633	R63 025 288	G		Pressure sensor	LP	1	1				KB00F899G13	<63LS>	
634	R61 060 200	G		Thermistor	CHIP TH. 15K	4	4				P418065X01	<TH3,TH5,TH6,TH7>	
635	R63 172 200	G		Thermistor	8D-2500L R0/15K B0/3465K	1	1				P418098X01	<TH2>	Chg.
636	R63 911 202	G		Thermistor		1	1				P425416X02	<TH4>	
637	R61 001 310	G		Sensor holder		1	1				KB25B471H03		
638	R63 852 860	G		Rubber mount		4	4				W897574H01	For compressor	



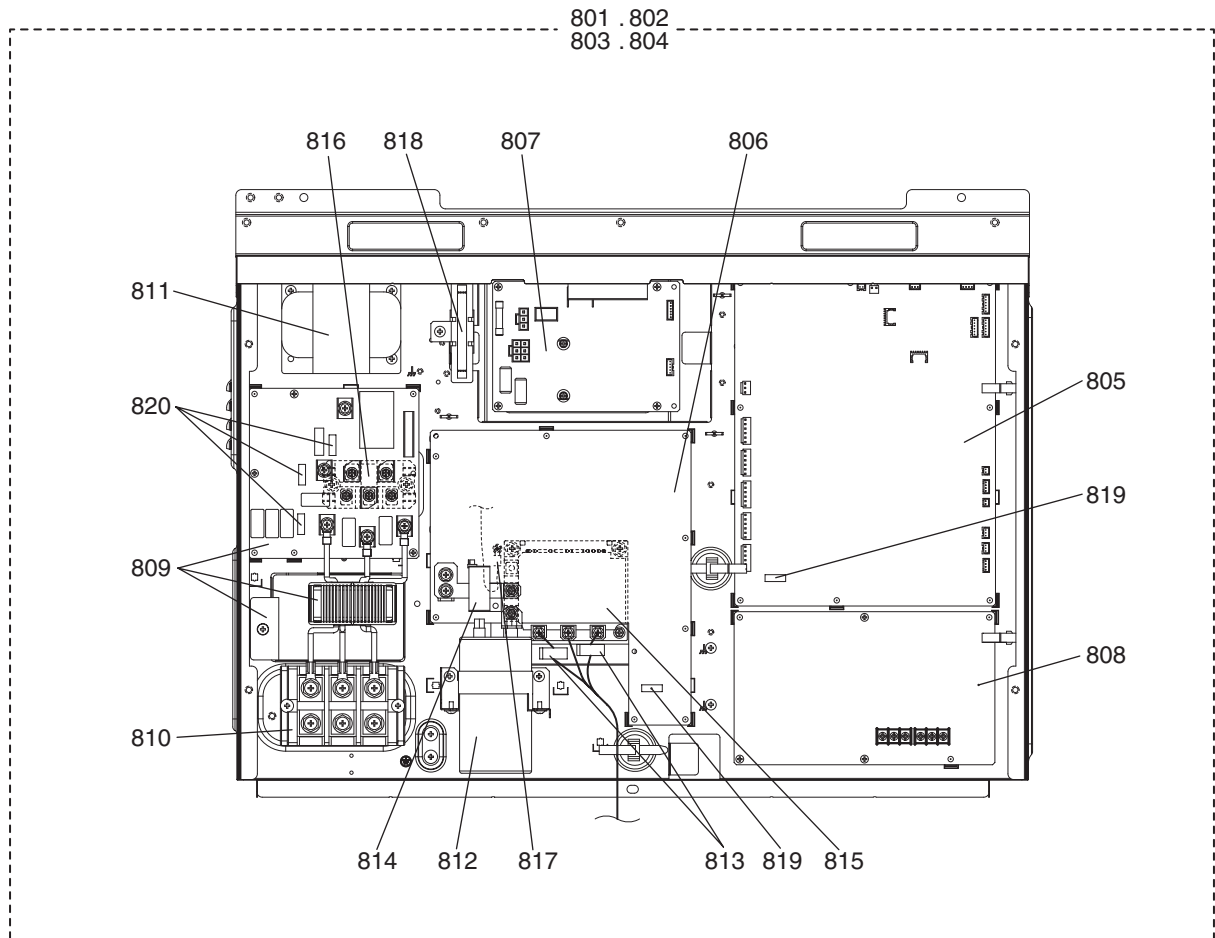
PUHY-P72TKMU-A(-BS)

CONTROL BOX PARTS (1)

No.	Part No.	G : RoHS Apply Only W : RoHS Apply by Running Change		Spec.	PUHY-P72TKMU-A	PUHY-P72TKMU-A-BS						Dwg. No.	Notes for the models	Revision info.	
			Part Name												
701	R61 426 305		Control box	Y-P72TK	1							KE80C542G25			
702	R61 427 305		Control box	Y-P72TK BS		1						KE80C542G26			
703	R61 184 280		Control board		1	1						KE80C704G01	<MAIN07>		
704	R61 185 280		INV board		1	1						KE80C520G03	<INV24>		
705	R61 186 280		Fan board		1	1						W652171G13	<INV/S10>		
706	R63 187 280	G	M-NET board		1	1						KE80C055G06	<PS-MNET-Y>	Chg.	
707	R61 019 293		Noise filter	board,coil,plate	1	1						KE80C726G02			
708	R61 026 246	G	Terminal block		1	1						S436007H02	<TB1>		
709	R61 029 259	W	Reactor		1	1						P715482X01	<DCL>		
710	R63 670 234	G	Resistor		1	1						P411113X01	<R1>		
711	R61 005 239	G	Fuse	3.15A AC250V T	2	2						S423001H39			
712	R61 006 239	G	Fuse	6.3A AC250V T	2	2						S423001H42			

PUHY-P96TKMU-A(-BS)
PUHY-P120TKMU-A(-BS)
PUHY-P144TKMU-A(-BS)

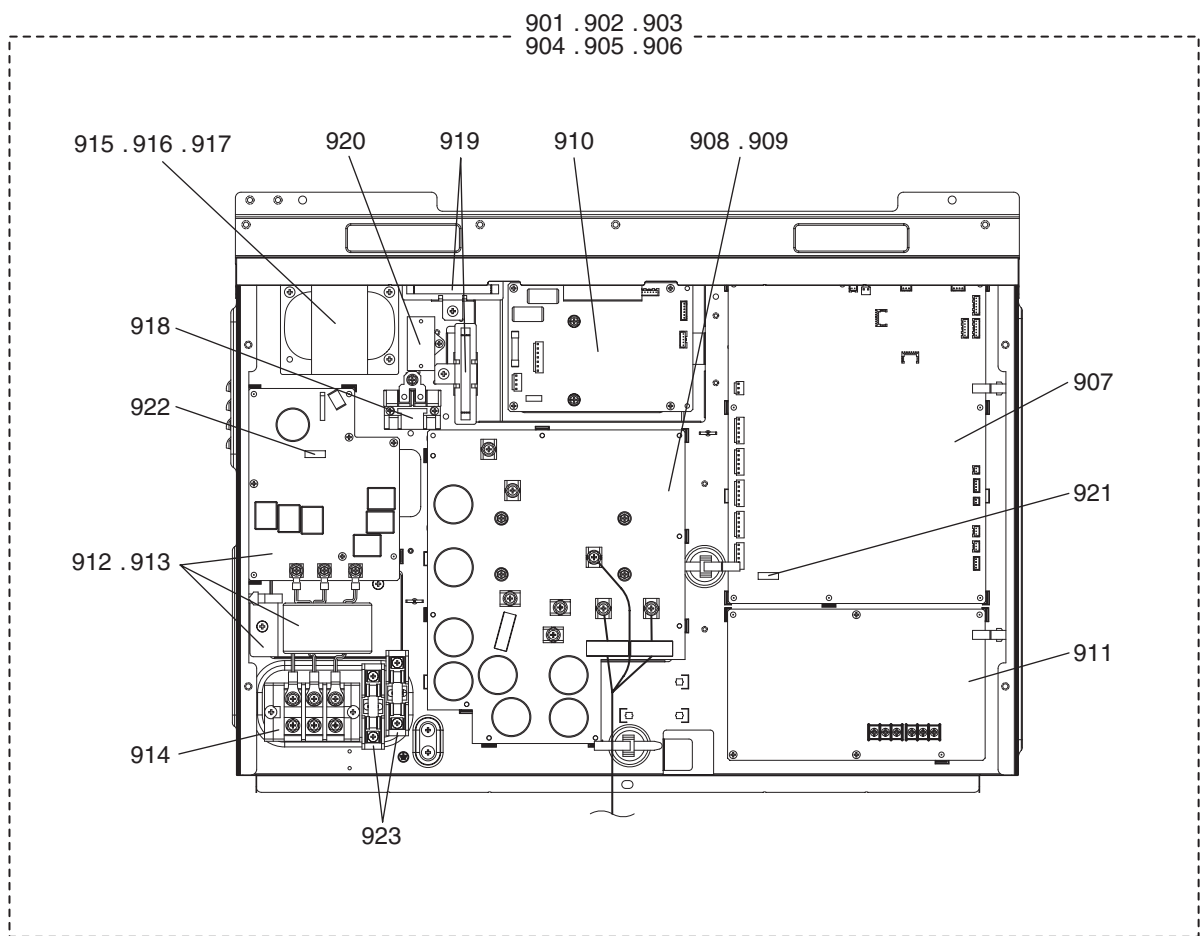
CONTROL BOX PARTS (2)



**PUHY-P96TKMU-A(-BS)
 PUHY-P120TKMU-A(-BS)
 PUHY-P144TKMU-A(-BS)**

CONTROL BOX PARTS (2)

No.	Part No.	G : RoHS Apply Only W : RoHS Apply by Running Change		Spec.	PUHY-P96TKMU-A	PUHY-P96TKMU-A-BS	PUHY-P120TKMU-A	PUHY-P120TKMU-A-BS	PUHY-P144TKMU-A	PUHY-P144TKMU-A-BS	Dwg. No.	Notes for the models	Revision info.
		Part Name											
801	R61 428 305			Y-P96TK	1						KE80C542G27		
802	R61 429 305			Y-P96TK BS		1					KE80C542G28		
803	R61 430 305			Y-P144TK			1		1		KE80C542G29		
804	R61 431 305			Y-P144TK BS				1		1	KE80C542G30		
805	R61 184 280			Control board	1	1	1	1	1	1	KE80C704G01	<MAIN07>	
806	R61 188 280			INV board	1	1	1	1	1	1	W647875G20	<INV25>	
807	R61 186 280			Fan board	1	1	1	1	1	1	W652171G13	<INV/S10>	
808	R63 187 280	G		M-NET board	1	1	1	1	1	1	KE80C055G06	<PS-MNET-Y>	Chg.
809	R61 020 293			Noise filter	1	1	1	1	1	1	KE80C726G03	board,coil,plate	
810	R61 026 246	G		Terminal block	1	1	1	1	1	1	S436007H02	<TB1>	
811	R61 007 259	W		Reactor	1	1	1	1	1	1	P715432X03	<DCL>	Chg.
812	R61 5H6 256	W		Capacitor	1	1	1	1	1	1	P412311X01	<C1>	
813	R61 015 287	W		AC Current sensor	1	1	1	1	1	1	P418087X01	<ACCT1,2>	
814	R63 A42 289	G		DC Current sensor	1	1	1	1	1	1	P419079X03	<DCCT1>	
815	R61 G35 249			IPM (Intelligent Power Module)	1	1	1	1	1	1	W848413G21	<IPM>	Chg.
816	R61 003 320			Diode stack	1	1	1	1	1	1	W876941G09	<DS>	
817	R61 008 200	W		Thermistor	1	1	1	1	1	1	P414127X01	<THHS>	
818	R63 670 234	G		Resistor	1	1	1	1	1	1	P411113X01	<R1>	
819	R61 005 239	G		Fuse	2	2	2	2	2	2	S423001H39	3.15A AC250V T	
820	R61 006 239	G		Fuse	3	3	3	3	3	3	S423001H42	6.3A AC250V T	

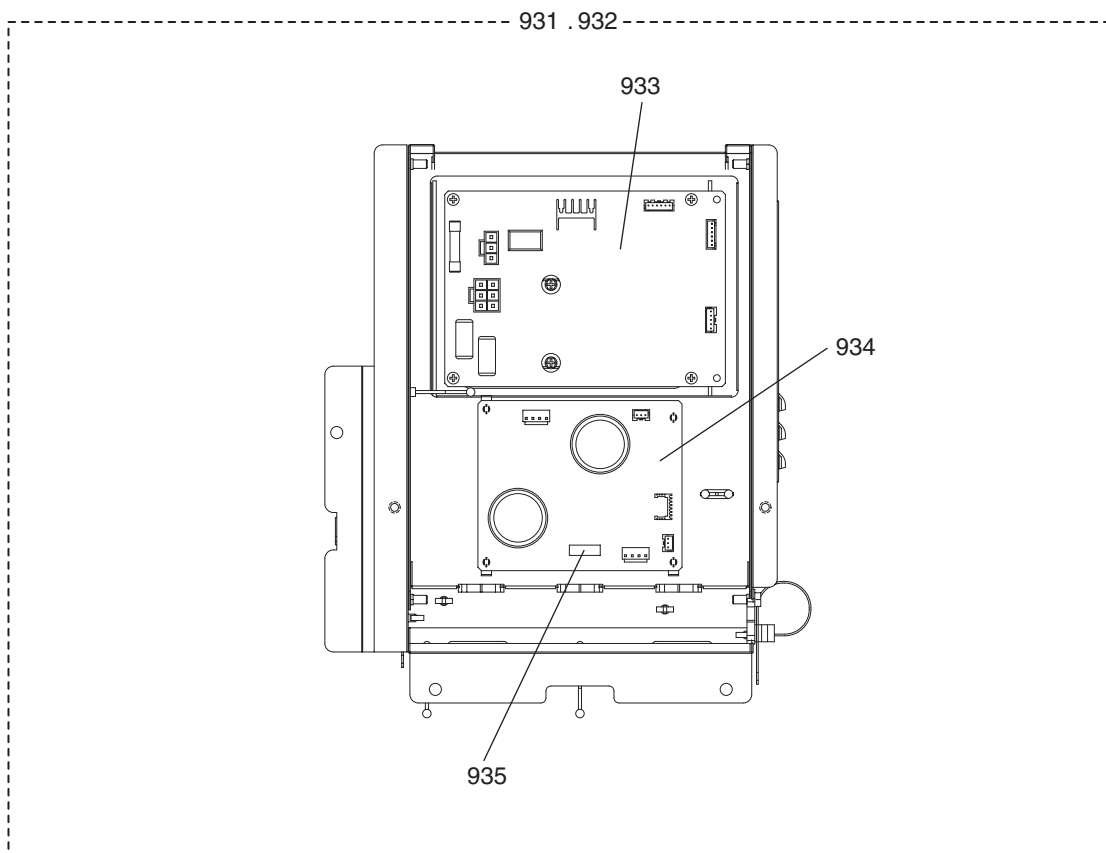


**PUHY-P72,P96YKMU-A(-BS)
PUHY-P120,P144YKMU-A(-BS)**

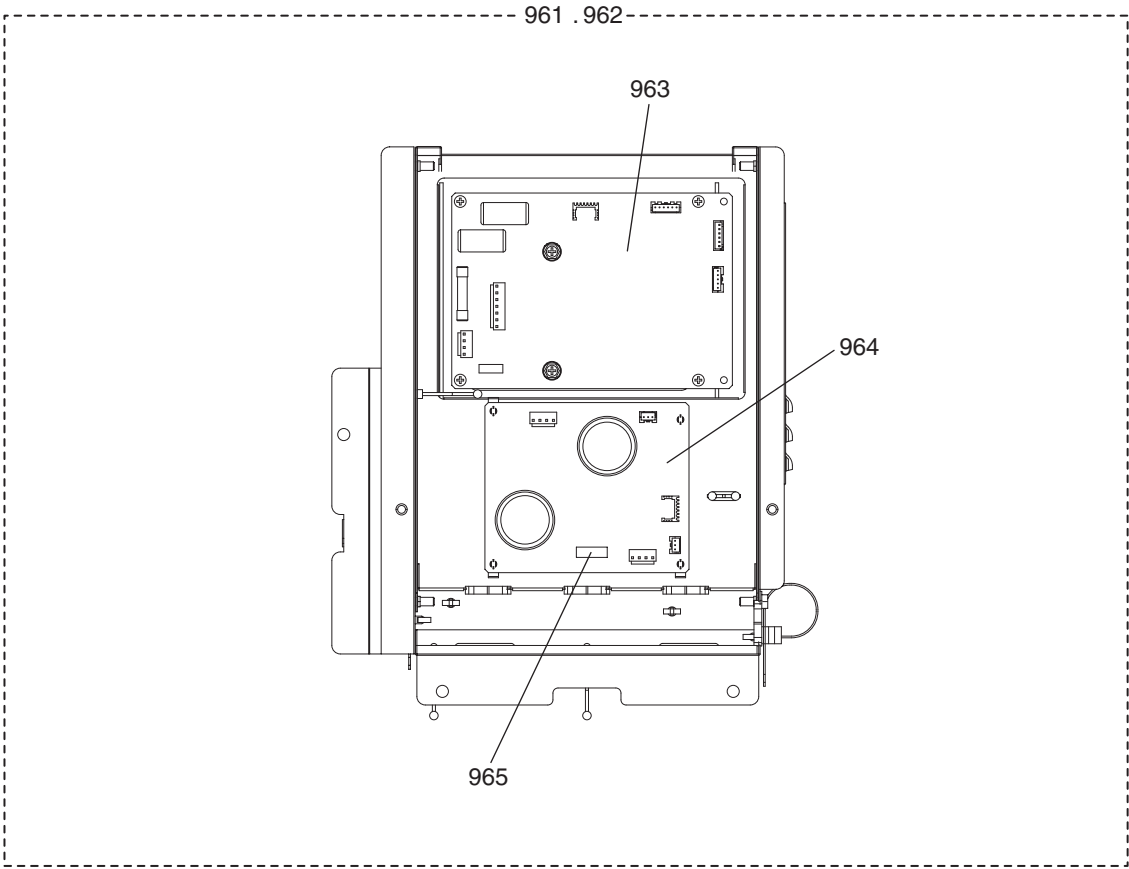
CONTROL BOX PARTS (3)

No.	Part No.	G : RoHS Apply Only W : RoHS Apply by Running Change		Spec.	PUHY-P72YKMU-A	PUHY-P72YKMU-A-BS	PUHY-P96YKMU-A	PUHY-P96YKMU-A-BS	PUHY-P120YKMU-A	PUHY-P120YKMU-A-BS	Dwg. No.	Notes for the models	Revision info.
		Part Name											
901	R61 432 305			Control box	Y-P72YK	1					KE80C542G31		
902	R61 433 305			Control box	Y-P72YK BS		1				KE80C542G32		
903	R61 434 305			Control box	Y-P96YK			1			KE80C542G33		
904	R61 435 305			Control box	Y-P96YK BS				1		KE80C542G34		
905	R61 436 305			Control box	Y-P144YK					1	KE80C542G35		
906	R61 437 305			Control box	Y-P144YK BS					1	KE80C542G36		
907	R63 189 280	G		Control board		1	1	1	1	1	KE80C704G02	<MAIN07>	Chg.
908	R61 190 280			INV board		1	1				KE80C154G11	<INV20Y>	
909	R61 191 280			INV board				1	1	1	KE80C154G12	<INV20Y>	
910	R63 192 280	G		Fan board		1	1	1	1	1	W652171G14	<INV/S11Y>	Chg.
911	R63 187 280	G		M-NET board		1	1	1	1	1	KE80C055G06	<PS-MNET-Y>	Chg.
912	R61 021 293			Noise filter	board,coil,plate	1	1				KE80C727G01		
913	R61 022 293			Noise filter	board,coil,plate			1	1	1	KE80C727G02		
914	R61 N18 246	W		Terminal block		1	1	1	1	1	S436005H01	<TB1>	
915	R61 017 259	G		Reactor		1	1				P715458X01	<DCL>	
916	R61 027 259	G		Reactor				1	1		P715476X02	<DCL>	Chg.
917	R61 012 259	G		Reactor					1	1	P715441X02	<DCL>	
918	R61 003 216	G		Relay		1	1	1	1	1	P421295X01	<72C>	
919	R61 001 234	G		Resistor		2	2	2	2	2	P411151X01	<R1,R5>	
920	R12 001 360	G		Capacitor assy		1	1	1	1	1	P412341X01	<C100>	
921	R61 005 239	G		Fuse	3.15A AC250V T	1	1	1	1	1	S423001H39		
922	R61 006 239	G		Fuse	6.3A AC250V T	1	1	1	1	1	S423001H42		
923	R61 009 239	W		Fuse	6A AC600V F	2	2	2	2	2	S423005H08		

No.	Part No.	G : RoHS Apply Only W : RoHS Apply by Running Change		Spec.	PUHY-P144YKMU-A	PUHY-P144YKMU-A-BS				Dwg. No.	Notes for the models	Revision info.
		Part Name										
901	R61 432 305	Control box		Y-P72YK						KE80C542G31		
902	R61 433 305	Control box		Y-P72YK BS						KE80C542G32		
903	R61 434 305	Control box		Y-P96YK						KE80C542G33		
904	R61 435 305	Control box		Y-P96YK BS						KE80C542G34		
905	R61 436 305	Control box		Y-P144YK	1					KE80C542G35		
906	R61 437 305	Control box		Y-P144YK BS		1				KE80C542G36		
907	R63 189 280	G Control board			1	1				KE80C704G02	<MAIN07>	Chg.
908	R61 190 280	INV board								KE80C154G11	<INV20Y>	
909	R61 191 280	INV board			1	1				KE80C154G12	<INV20Y>	
910	R63 192 280	G Fan board			1	1				W652171G14	<INV/S11Y>	Chg.
911	R63 187 280	G M-NET board			1	1				KE80C055G06	<PS-MNET-Y>	Chg.
912	R61 021 293	Noise filter	board,coil,plate							KE80C727G01		
913	R61 022 293	Noise filter	board,coil,plate		1	1				KE80C727G02		
914	R61 N18 246	W Terminal block			1	1				S436005H01	<TB1>	
915	R61 017 259	G Reactor								P715458X01	<DCL>	
916	R61 027 259	G Reactor								P715476X02	<DCL>	Chg.
917	R61 012 259	G Reactor			1	1				P715441X02	<DCL>	
918	R61 003 216	G Relay			1	1				P421295X01	<72C>	
919	R61 001 234	G Resistor			2	2				P411151X01	<R1,R5>	
920	R12 001 360	G Capacitor assy			1	1				P412341X01	<C100>	
921	R61 005 239	G Fuse	3.15A AC250V T		1	1				S423001H39		
922	R61 006 239	G Fuse	6.3A AC250V T		1	1				S423001H42		
923	R61 009 239	W Fuse	6A AC600V F		2	2				S423005H08		



No.	Part No.	G : RoHS Apply Only W : RoHS Apply by Running Change	Spec.	PUHY-P120TKMU-A	PUHY-P120TKMU-A-BS	PUHY-P144TKMU-A	PUHY-P144TKMU-A-BS	Dwg. No.	Notes for the models	Revision info.
		Part Name								
931	R61 438 305		200	1		1		KE80C721G01		
932	R61 439 305		200 BS		1		1	KE80C721G02		
933	R61 186 280		Fan board	1	1	1	1	W652171G13	<INV/S10>	
934	R61 193 280		Connect board	1	1	1	1	KE80C725G01	<CONNECT01>	
935	R11 003 964	W	Fuse	1	1	1	1	S423001H33		



PUHY-P120YKMU-A(-BS)
 PUHY-P144YKMU-A(-BS)

FAN BOX PARTS (2)

No.	Part No.	G : RoHS Apply Only W : RoHS Apply by Running Change		Spec.	PUHY-P120YKMU-A	PUHY-P120YKMU-A-BS	PUHY-P144YKMU-A	PUHY-P144YKMU-A-BS	Dwg. No.	Notes for the models	Revision info.
		Part Name									
961	R61 440 305		Fan box	400	1		1		KE80C721G03		
962	R61 441 305		Fan box	400 BS		1		1	KE80C721G04		
963	R63 192 280	G	Fan board		1	1	1	1	W652171G14	<INV/S11Y>	Chg.
964	R63 194 280	G	Connect board		1	1	1	1	KE80C725G02	<CONNECT01>	Chg.
965	R12 001 964	G	Fuse	DC700V 4A	1	1	1	1	S423001H40		

mitsubishi
Electric
Corporation

BWE1206A (20140731)