



# CITY MULTI

Air-Conditioners For Building Application Inverter Y-Series  
OUTDOOR UNIT

**PUHY-P-TKMU-A(-BS)**

**PUHY-P-YKMU-A(-BS)**

**For use with R410A**

---

## INSTALLATION MANUAL

For safe and correct use, please read this installation manual thoroughly before installing the air-conditioner unit.

## MANUEL D'INSTALLATION

Veuillez lire le manuel d'installation en entier avant d'installer ce climatiseur pour éviter tout accident et vous assurer d'une utilisation correcte.

## MANUAL DE INSTALACIÓN

Para un uso seguro y correcto, lea detalladamente este manual de instalación antes de montar la unidad de aire acondicionado.

GB

F

E

# Contents

1. Safety precautions .....	2	10. Additional refrigerant charge.....	13
1.1. Before installation and electric work.....	2	10.1. Calculation of additional refrigerant charge.....	13
1.2. Precautions for devices that use R410A refrigerant.....	3	10.2. Precautions concerning piping connection and valve operation .....	14
1.3. Before installation.....	3	10.3. Airtight test, evacuation, and refrigerant charging.....	16
1.4. Before installation (relocation) - electrical work.....	3	10.4. Thermal insulation of refrigerant piping.....	17
1.5. Before starting the test run.....	3	11. Wiring (For details, refer to the installation manual of each indoor/outdoor unit and controller.) .....	18
2. About the product.....	4	11.1. Caution.....	18
3. Combination of outdoor units .....	4	11.2. Control box and connecting position of wiring.....	18
4. Specifications.....	5	11.3. Wiring transmission cables .....	20
5. Parts included list.....	5	11.4. Wiring of main power supply and equipment capacity .....	23
6. Space required for unit installation and operation.....	6	12. Test run .....	25
7. Transporting the unit .....	8	12.1. Typical unit operation .....	25
8. Installation of unit.....	8	12.2. Outdoor unit function setting .....	25
8.1. Installation .....	8	13. Rating plate information .....	26
9. Refrigerant piping installation.....	9		
9.1. Caution.....	9		
9.2. Refrigerant piping system .....	10		

GB

## 1. Safety precautions

### 1.1. Before installation and electric work

- ▶ Before installing the unit, make sure you read all the “Safety precautions”.
- ▶ The “Safety precautions” provide very important points regarding safety. Make sure you follow them.

#### Symbols used in the text

##### **Warning:**


Describes precautions that should be observed to prevent danger of injury or death to the user.

##### **Caution:**


Describes precautions that should be observed to prevent damage to the unit.

#### Symbols used in the illustrations

 : Indicates an action that must be avoided.

 : Indicates that important instructions must be followed.

 : Indicates a part which must be grounded.

 : Beware of electric shock. (This symbol is displayed on the main unit label.) <Color: yellow>

-  **Warning:**  
Carefully read the labels attached to the outdoor unit.

##### **HIGH VOLTAGE WARNING:**

- Control box houses high-voltage parts.
- When opening or closing the front panel of the control box, do not let it come into contact with any of the internal components.
- Before inspecting the inside of the control box, turn off the power, keep the unit off for at least 10 minutes, and confirm that the capacitor voltage (inverter main circuit) has dropped to 20 VDC or less. (It takes about 10 minutes to discharge electricity after the power supply is turned off.)
- Control box houses high temperature parts. Be well careful even after turning off the power source.
- Perform the service after disconnecting the fan board connector (CNINV) and the inverter board connector (CN1 or CNFAN). (To plug or unplug connectors, check that the outdoor unit fan is not rotating and that the voltage of capacitor in the main circuit is 20 VDC or below. The capacitor may collect a charge and cause an electric shock when the outdoor unit fan rotates in windy conditions. Refer to the wiring nameplate for details.)
- To connect wiring to TB7, check that the voltage is 20 VDC or below.
- Reconnect the connector (CNINV) back to the fan board and reconnect the connector (CN1 or CNFAN) back to the inverter board after servicing.

##### **Warning:**

- Do not use refrigerant other than the type indicated in the manuals provided with the unit and on the nameplate.
  - Doing so may cause the unit or pipes to burst, or result in explosion or fire during use, during repair, or at the time of disposal of the unit.
  - It may also be in violation of applicable laws.
  - MITSUBISHI ELECTRIC CORPORATION cannot be held responsible for malfunctions or accidents resulting from the use of the wrong type of refrigerant.

- Ask the dealer or an authorized technician to install the air conditioner.
  - Improper installation by the user may result in water leakage, electric shock, or fire.
- Install the unit at a place that can withstand its weight.
  - Failure to do so may cause the unit to fall down, resulting in injuries and damage to the unit.
- Use the specified cables for wiring. Make the connections securely so that the outside force of the cable is not applied to the terminals.
  - Inadequate connection and fastening may generate heat and cause a fire.
- Prepare for strong winds and earthquakes and install the unit at the specified place.
  - Improper installation may cause the unit to topple and result in injury and damage to the unit.
- Always use filters and other accessories specified by Mitsubishi Electric.
  - Ask an authorized technician to install the accessories. Improper installation by the user may result in water leakage, electric shock, or fire.
- Never attempt to repair the unit without the proper qualifications. If the air conditioner must be repaired consult the dealer, contractor or qualified Refrigeration Engineer.
  - If the unit is repaired improperly, water leakage, electric shock, or fire may result.
- Do not touch the heat exchanger fins.
  - Improper handling may result in injury.
- If refrigerant gas leaks during installation work, ventilate the room.
  - If the refrigerant gas comes into contact with a flame, poisonous gases will be released.
- Install the air conditioner according to this Installation Manual.
  - If the unit is installed improperly, water leakage, electric shock, or fire may result.
- Have all electric work done by a licensed electrician according to the “Electric Facility Engineering Standard”, the “Wire Regulations in each area” and the instructions given in this manual and always use a dedicated power supply.
  - If the power source capacity is inadequate or electric work is performed improperly, electric shock and fire may result.
- Securely install the outdoor unit terminal cover (panel).
  - If the terminal cover (panel) is not installed properly, dust or water may enter the outdoor unit and fire or electric shock may result.
- When installing and moving the air conditioner to another site, do not charge it with a refrigerant different from the refrigerant specified on the unit.
  - If a different refrigerant or air is mixed with the original refrigerant, the refrigerant cycle may malfunction and the unit may be damaged.
- If the air conditioner is installed in a small room, measures must be taken to prevent the refrigerant concentration from exceeding the safety limit if the refrigerant should leak.
  - Consult the dealer regarding the appropriate measures to prevent the safety limit from being exceeded. Should the refrigerant leak and cause the safety limit to be exceeded, hazards due to lack of oxygen in the room could result.
- When moving and reinstalling the air conditioner, consult the dealer or an authorized technician.
  - If the air conditioner is installed improperly, water leakage, electric shock, or fire may result.
- After completing installation work, make sure that refrigerant gas is not leaking.
  - If the refrigerant gas leaks and is exposed to a fan heater, stove, oven, or other heat source, it may generate noxious gases.

- **Do not reconstruct or change the settings of the protection devices.**
  - If the pressure switch, thermal switch, or other protection device is shorted or operated forcibly, or parts other than those specified by Mitsubishi Electric are used, fire or explosion may result.
- **To dispose of this product, consult your dealer.**
- **The installer and system specialist shall secure safety against leakage according to local regulation or standards.**
  - Choose the appropriate wire size and the switch capacities for the main power supply described in this manual if local regulations are not available.
- **Pay special attention to the place of installation, such as a basement, etc. where refrigeration gas can accumulate, since refrigerant is heavier than the air.**
- **For outdoor units that allow outside air intake to the indoor unit, the installation site must be carefully chosen to ensure only clean air can enter the room.**
  - Direct exposure to outdoor air may have harmful effects on people or food.

## 1.2. Precautions for devices that use R410A refrigerant

### ⚠ Caution:

- **Do not use existing refrigerant piping.**
  - The old refrigerant and refrigerant oil in the existing piping contains a large amount of chlorine which may cause the refrigerant oil of the new unit to deteriorate.
  - R410A is a high-pressure refrigerant and can cause the existing piping to burst.
- **Use refrigerant piping made of phosphorus deoxidized copper and copper alloy seamless pipes and tubes. In addition, be sure that the inner and outer surfaces of the pipes are clean and free of hazardous sulphur, oxides, dust/dirt, shaving particles, oils, moisture, or any other contaminant.**
  - Contaminants on the inside of the refrigerant piping may cause the refrigerant oil to deteriorate.
- **Store the piping to be used during installation indoors and keep both ends of the piping sealed until just before brazing. (Store elbows and other joints in a plastic bag.)**
  - If dust, dirt, or water enters the refrigerant cycle, deterioration of the oil and compressor failure may result.
- **Apply only a small amount of ester oil, ether oil, or alkyl benzene to flare connections (for indoor unit).**
  - Infiltration of a large amount of mineral oil may cause the refrigerant oil to deteriorate.
- **Use liquid refrigerant to fill the system.**
  - If gas refrigerant is used to fill the system, the composition of the refrigerant in the cylinder will change and performance may drop.
- **Do not use a refrigerant other than R410A.**
  - If another refrigerant (R22, etc.) is mixed with R410A, the chlorine in the refrigerant may cause the refrigerant oil to deteriorate.
- **Use a vacuum pump with a reverse flow check valve.**
  - The vacuum pump oil may flow back into the refrigerant cycle and cause the refrigerant oil to deteriorate.
- **Do not use the following tools that are used with conventional refrigerants.**  
(Gauge manifold, charge hose, gas leak detector, reverse flow check valve, refrigerant charge base, refrigerant recovery equipment)
  - If the conventional refrigerant and refrigerant oil are mixed in the R410A, the refrigerant may deteriorate.
  - If water is mixed in the R410A, the refrigerant oil may deteriorate.
  - Since R410A does not contain any chlorine, gas leak detectors for conventional refrigerants will not react to it.
- **Do not use a charging cylinder.**
  - Using a charging cylinder may cause the refrigerant to deteriorate.
- **Be especially careful when managing the tools.**
  - If dust, dirt, or water gets into the refrigerant cycle, the refrigerant may deteriorate.

## 1.3. Before installation

### ⚠ Caution:

- **Do not install the unit where combustible gas may leak.**
  - If the gas leaks and accumulates around the unit, an explosion may result.
- **Do not use the air conditioner where food, pets, plants, precision instruments, or artwork are kept.**
  - The quality of the food, etc. may deteriorate.
- **Do not use the air conditioner in special environments.**
  - Oil, steam, sulfuric smoke, etc. can significantly reduce the performance of the air conditioner or damage its parts.
- **When installing the unit in a hospital, communication station, or similar place, provide sufficient protection against noise.**
  - Inverter equipment, private power generator, high-frequency medical equipment, or radio communication equipment may cause the air conditioner to operate erroneously, or fail to operate. On the other hand, the air conditioner may affect such equipment by creating noise that disturbs medical treatment or image broadcasting.

- **Do not install the unit on or over things that are subject to water damage.**
  - When the room humidity exceeds 80% or when the drain pipe is clogged, condensation may drip from the indoor unit. Perform collective drainage work together with the outdoor unit, as required.

## 1.4. Before installation (relocation) - electrical work

### ⚠ Caution:

- **Ground the unit.**
  - Do not connect the ground wire to gas or water pipes, lightning rods, or telephone ground lines. Improper grounding may result in electric shock.
- **Install the power cable so that tension is not applied to the cable.**
  - Tension may cause the cable to break and generate heat and cause a fire.
- **Install a leak circuit breaker for an inverter, as required.**
  - If a leak circuit breaker is not installed, electric shock may result.
- **Use power line cables of sufficient current carrying capacity and rating.**
  - Cables that are too small may leak, generate heat, and cause a fire.
- **Use only a circuit breaker and fuse of the specified capacity.**
  - A fuse or circuit breaker of a larger capacity, or the use of a substitute simple steel or copper wire may result in a general unit failure or fire.
- **If a large electric current flows due to malfunction or faulty wiring, earth-leakage breakers on the unit side and on the upstream side of the power supply system may both operate.**  
**Depending on the importance of the system, separate the power supply system or take protective coordination of breakers.**
- **Do not touch the electrical parts with bare hands while the unit is in operation or immediately after operation.**
  - Doing so may result in burns.
- **Do not wash the air conditioner units.**
  - Washing them may cause an electric shock.
- **Be careful that the installation base is not damaged by long use.**
  - If the damage is left uncorrected, the unit may fall and cause personal injury or property damage.
- **Install the drain piping according to this Installation Manual to ensure proper drainage. Wrap thermal insulation around the pipes to prevent condensation.**
  - Improper drain piping may cause water leakage causing damage to furniture and other possessions.
- **Be very careful about transporting the product.**
  - One person should not carry the product. Its weight is in excess of 20 kg [45LBS].
  - Some products use PP bands for packaging. Do not use any PP bands as a means of transportation. It is dangerous.
  - Do not touch the heat exchanger fins. Doing so may cut your fingers.
  - When transporting the outdoor unit, support it at the specified positions on the unit base. Also support the outdoor unit at four points so that it cannot slip sideways.
- **Safely dispose of the packing materials.**
  - Packing materials, such as nails and other metal or wooden parts, may cause stabs or other injuries.
  - Tear apart and throw away plastic packaging bags so that children will not play with them. If children play with a plastic bag which has not been torn apart, they face the risk of suffocation.
- **When the power is turned on, the compressor is energized even while it is not operating.**
  - Before turning on the power, disconnect all power supply wires from the compressor terminal block, and measure the insulation resistance of the compressor.
  - Check the compressor for a ground fault. If the insulation resistance is 1.0 MΩ or below, connect all power supply wires to the compressor and turn on the power to the outdoor unit. (The liquid refrigerant in the compressor will evaporate by energizing the compressor.)

## 1.5. Before starting the test run

### ⚠ Caution:

- **Turn on the power at least 12 hours before starting operation.**
  - Starting operation immediately after turning on the main power switch can result in irreversible damage to internal parts. Keep the power switch turned on during the operational season. Make sure of the phase order of power supply and voltage between each phase.
- **Do not touch the switches with wet fingers.**
  - Touching a switch with wet fingers can result in an electric shock.
- **Do not touch the refrigerant pipes during and immediately after operation.**
  - During and immediately after operation, the refrigerant pipes may be hot or cold, depending on the condition of the refrigerant flowing through the refrigerant piping, compressor, and other refrigerant cycle parts. Your hands may suffer burns or frostbite if you touch the refrigerant pipes.
- **Do not operate the air conditioner with the panels and guards removed.**
  - Rotating, hot, or high-voltage parts can cause injuries.

- **Do not turn off the power immediately after stopping operation.**
  - Always wait at least 5 minutes before turning off the power. Otherwise, drainage water leakage or mechanical failure of sensitive parts may occur.
- **Do not touch the surface of the compressor during servicing.**
  - If the unit is connected to a supply and not running, the crank case heater located at the base of the compressor may still be operating.

## 2. About the product

- This unit uses R410A-type refrigerant
- Piping for systems using R410A may be different from that for systems using conventional refrigerant because the design pressure in systems using R410A is higher. Refer to the Data Book for more information.
- Some of the tools and equipment used for installation with systems that use other types of refrigerant cannot be used with the systems using R410A. Refer to the Data Book for more information.
- Do not use the existing piping, as it contains chlorine, which is found in conventional refrigerating machine oil and refrigerant. This chlorine will deteriorate the refrigerant machine oil in the new equipment. The existing piping must not be used as the design pressure in systems using R410A is higher than that in the systems using other types of refrigerant and the existing pipes may burst.

GB

## 3. Combination of outdoor units

Component units of PUHY-P168 to P360 are listed below.

Outdoor unit model	Component unit models		
PUHY-P72TKMU-A(-BS)	-	-	-
PUHY-P96TKMU-A(-BS)	-	-	-
PUHY-P120TKMU-A(-BS)	-	-	-
PUHY-P144TKMU-A(-BS)	-	-	-
PUHY-P168TSKMU-A(-BS)	PUHY-P96TKMU-A(-BS)	PUHY-P72TKMU-A(-BS)	-
PUHY-P192TSKMU-A(-BS)	PUHY-P120TKMU-A(-BS)	PUHY-P72TKMU-A(-BS)	-
PUHY-P216TSKMU-A(-BS)	PUHY-P120TKMU-A(-BS)	PUHY-P96TKMU-A(-BS)	-
PUHY-P240TSKMU-A(-BS)	PUHY-P120TKMU-A(-BS)	PUHY-P120TKMU-A(-BS)	-
PUHY-P264TSKMU-A(-BS)	PUHY-P120TKMU-A(-BS)	PUHY-P72TKMU-A(-BS)	PUHY-P72TKMU-A(-BS)
PUHY-P288TSKMU-A(-BS)	PUHY-P120TKMU-A(-BS)	PUHY-P96TKMU-A(-BS)	PUHY-P72TKMU-A(-BS)
PUHY-P312TSKMU-A(-BS)	PUHY-P120TKMU-A(-BS)	PUHY-P120TKMU-A(-BS)	PUHY-P72TKMU-A(-BS)
PUHY-P336TSKMU-A(-BS)	PUHY-P120TKMU-A(-BS)	PUHY-P120TKMU-A(-BS)	PUHY-P96TKMU-A(-BS)
PUHY-P360TSKMU-A(-BS)	PUHY-P120TKMU-A(-BS)	PUHY-P120TKMU-A(-BS)	PUHY-P120TKMU-A(-BS)

\* PUHY-P168 to P360TSKMU-A(-BS) require "Twinning Kit" to connect component unit modules in the field.

Outdoor unit model	Component unit models		
PUHY-P72YKMU-A(-BS)	-	-	-
PUHY-P96YKMU-A(-BS)	-	-	-
PUHY-P120YKMU-A(-BS)	-	-	-
PUHY-P144YKMU-A(-BS)	-	-	-
PUHY-P144YSKMU-A(-BS)	PUHY-P72YKMU-A(-BS)	PUHY-P72YKMU-A(-BS)	-
PUHY-P168YSKMU-A(-BS)	PUHY-P96YKMU-A(-BS)	PUHY-P72YKMU-A(-BS)	-
PUHY-P192YSKMU-A(-BS)	PUHY-P120YKMU-A(-BS)	PUHY-P72YKMU-A(-BS)	-
PUHY-P216YSKMU-A(-BS)	PUHY-P120YKMU-A(-BS)	PUHY-P96YKMU-A(-BS)	-
PUHY-P240YSKMU-A(-BS)	PUHY-P120YKMU-A(-BS)	PUHY-P120YKMU-A(-BS)	-
PUHY-P264YSKMU-A(-BS)	PUHY-P120YKMU-A(-BS)	PUHY-P72YKMU-A(-BS)	PUHY-P72YKMU-A(-BS)
PUHY-P288YSKMU-A(-BS)	PUHY-P120YKMU-A(-BS)	PUHY-P96YKMU-A(-BS)	PUHY-P72YKMU-A(-BS)
PUHY-P312YSKMU-A(-BS)	PUHY-P120YKMU-A(-BS)	PUHY-P120YKMU-A(-BS)	PUHY-P72YKMU-A(-BS)
PUHY-P336YSKMU-A(-BS)	PUHY-P120YKMU-A(-BS)	PUHY-P120YKMU-A(-BS)	PUHY-P96YKMU-A(-BS)
PUHY-P360YSKMU-A(-BS)	PUHY-P120YKMU-A(-BS)	PUHY-P120YKMU-A(-BS)	PUHY-P120YKMU-A(-BS)

\* PUHY-P144 to P360YSKMU-A(-BS) require "Twinning Kit" to connect component unit modules in the field.

## 4. Specifications

Model	PUHY-P72TKMU-A(-BS) PUHY-P72YKMU-A(-BS)	PUHY-P96TKMU-A(-BS) PUHY-P96YKMU-A(-BS)	PUHY-P120TKMU-A(-BS) PUHY-P120YKMU-A(-BS)	PUHY-P144TKMU-A(-BS) PUHY-P144YKMU-A(-BS)	- PUHY-P144YSKMU-A(-BS)	PUHY-P168TKMU-A(-BS) PUHY-P168YSKMU-A(-BS)	PUHY-P192TKMU-A(-BS) PUHY-P192YSKMU-A(-BS)	PUHY-P216TKMU-A(-BS) PUHY-P216YSKMU-A(-BS)
Sound level (60Hz)	58dB<A>	58dB<A>	60dB<A>	61dB<A>	61dB<A>	61dB<A>	62.5dB<A>	62.5dB<A>
External static pressure	0 Pa <sup>2</sup>							
Indoor units	Total capacity	50 ~ 130% <sup>*1</sup>						
	Model	06 ~ 96						
	Quantity	1 ~ 15	1 ~ 20	1 ~ 26	1 ~ 31	1 ~ 31	1 ~ 36	1 ~ 41
Operation temperature	Standard type	Cooling mode: -5°CDB ~ 46°CDB [23°FDB ~ 115°FDB]						
		Heating mode: -20°CWB ~ 15.5°CWB [-4°FWB ~ 60°FWB]						
	Outside air intake type	Cooling mode: 21°CDB/15.5°CWB ~ 46°CDB/35°CWB (70°FDB/60°FWB ~ 115°FDB/95°FWB)						
		Heating mode: -10°CDB ~ 20°CDB [14°FDB ~ 68°FDB]						

Model	PUHY-P240TSKMU-A(-BS) PUHY-P240YSKMU-A(-BS)	PUHY-P264TSKMU-A(-BS) PUHY-P264YSKMU-A(-BS)	PUHY-P288TSKMU-A(-BS) PUHY-P288YSKMU-A(-BS)	PUHY-P312TSKMU-A(-BS) PUHY-P312YSKMU-A(-BS)	PUHY-P336TSKMU-A(-BS) PUHY-P336YSKMU-A(-BS)	PUHY-P360TSKMU-A(-BS) PUHY-P360YSKMU-A(-BS)
Sound level (60Hz)	63dB<A>	63.5dB<A>	64dB<A>	64.5dB<A>	64.5dB<A>	65dB<A>
External static pressure	0 Pa <sup>2</sup>					
Indoor units	Total capacity	50 ~ 130% <sup>*1</sup>				
	Model	06 ~ 96				
	Quantity	2 ~ 50	2 ~ 50	2 ~ 50	2 ~ 50	2 ~ 50
Operation temperature	Standard type	Cooling mode: -5°CDB ~ 46°CDB [23°FDB ~ 115°FDB]				
		Heating mode: -20°CWB ~ 15.5°CWB [-4°FWB ~ 60°FWB]				
	Outside air intake type	Cooling mode: 21°CDB/15.5°CWB ~ 46°CDB/35°CWB (70°FDB/60°FWB ~ 115°FDB/95°FWB)				
		Heating mode: -10°CDB ~ 20°CDB [14°FDB ~ 68°FDB]				

\*1: The total indoor capacity of units run simultaneously is 130% or less.

\*2: To enable high static pressure, set the DipSW on the main panel as follows.

SW6-4: ON, SW6-5 60Pa compatible: OFF, 30Pa compatible: ON

## 5. Parts included list

		Adapter <Check joint>	Band
Model	P72	2 pcs.	2 pcs.
	P96	2 pcs.	2 pcs.
	P120	2 pcs.	2 pcs.
	P144	2 pcs.	2 pcs.

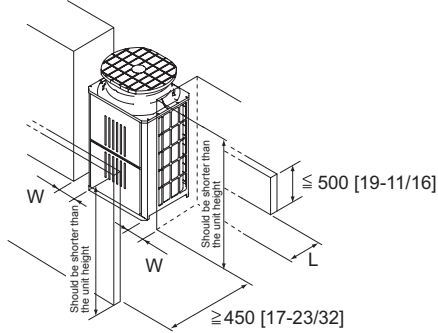
## 6. Space required for unit installation and operation

### ① In case of single installation

- Secure enough space around the unit as shown in the figure.
- If the wall height exceeds the height limit, widen the space labeled "L" and "W" by the amount that exceeds the limit (labeled <math>h</math> in the figure).

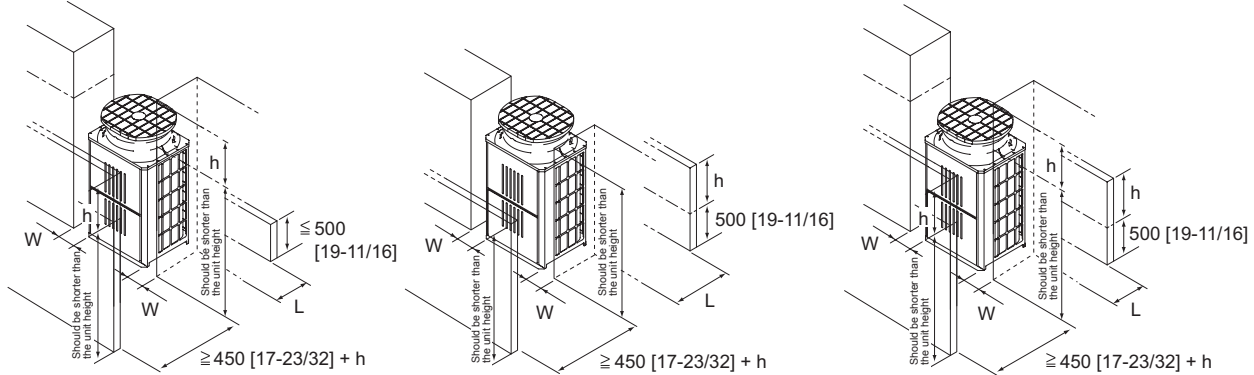
[Fig. 6.0.1]

#### (1) Walls are lower than the height limit.



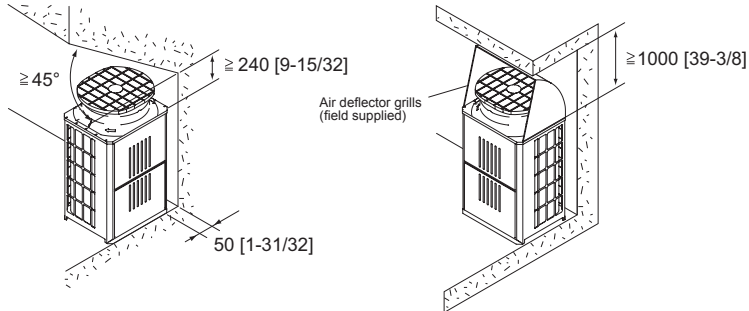
Condition	L	W
Minimum space behind the unit	$\geq 100$ [3-15/16]	$\geq 50$ [1-31/32]
Minimum space on both sides of the unit	$\geq 300$ [11-13/16]	$\geq 15$ [19/32]

#### (2) If the wall height (H) of the front, rear or side exceeds the wall height restriction



Condition	L	W
Minimum space behind the unit	$\geq 100$ [3-15/16] + h	$\geq 50$ [1-31/32] + h
Minimum space on both sides of the unit	$\geq 300$ [11-13/16] + h	$\geq 15$ [19/32] + h

#### (3) If there are obstacles at the upper part of the unit



(Unit : mm [in.])

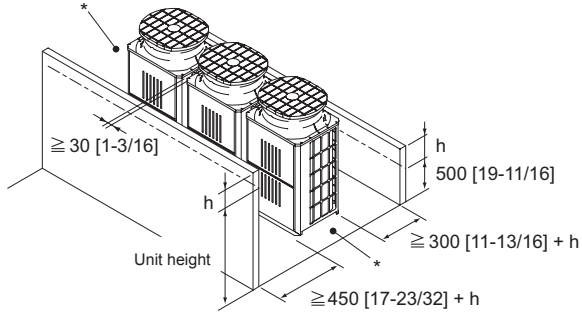
② In case of collective installation and continuous installation

- When multiple units are installed adjacent to each other, secure enough space to allow for air circulation and passageways between groups of units as shown in the figures.  
\* Leave both sides of each group of units open.
- As with single installation, if the wall height exceeds the height limit, widen the space in the front and the back of a given group of units by the amount that exceeds the limit (labeled <math>h</math> in the figure).
- If there is a wall at both the front and the rear of the unit, install up to six units (three units : P120, 144) consecutively in the side direction and provide a space of 1000 mm or more as inlet space/passage space for each six units (three units : P120, 144).

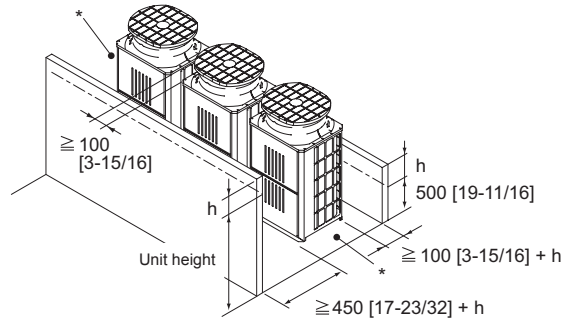
[Fig. 6.0.2]

(1) Side-by-side installation

<The space on both sides of a given group of units is minimum.>

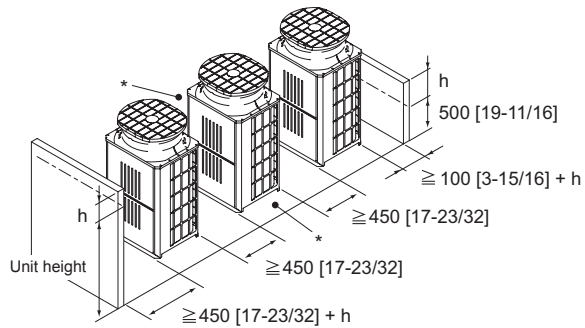


<The space on both sides of a given group of units is minimum.>

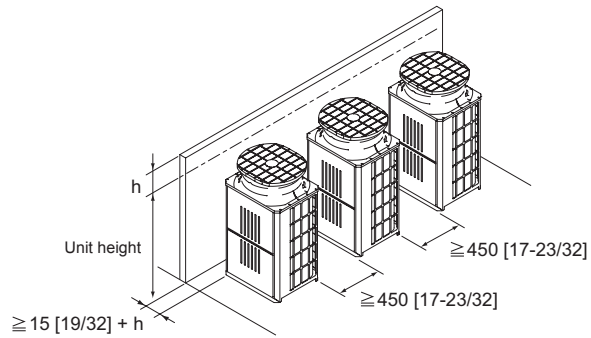


(2) Face-to-face installation

<There are walls in the front and the back of a given group of units.>

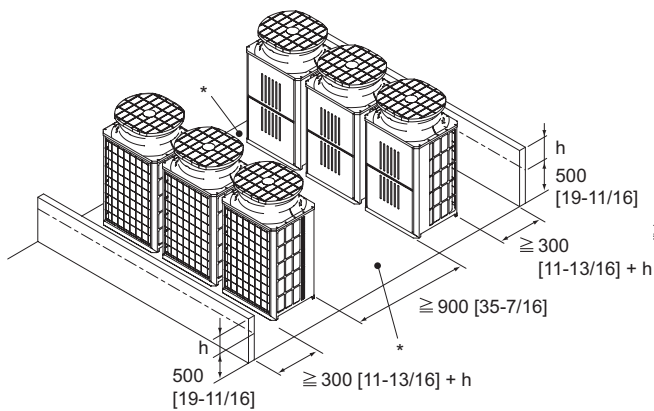


<There is a wall on one side.>

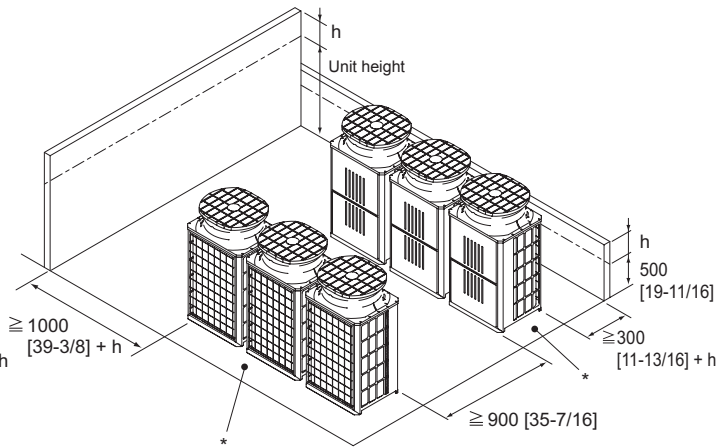


(3) Combination of face-to-face and side-by-side installations

<There are walls in the front and the back of a given group of units.>



<There is a wall on one side and either the front or the back of a given group of unit.>

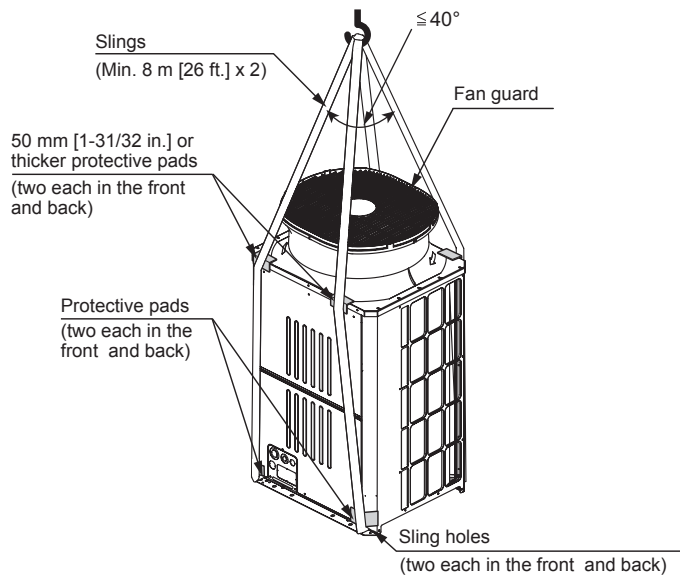


(Unit : mm [in.])

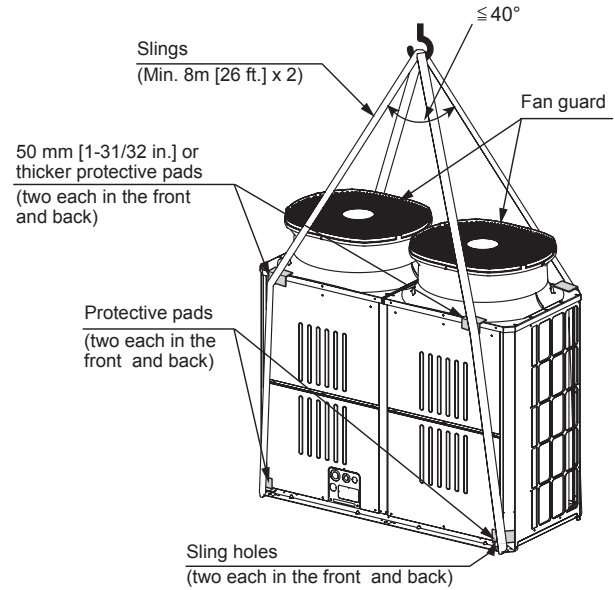
## 7. Transporting the unit

[Fig. 7.0.1]

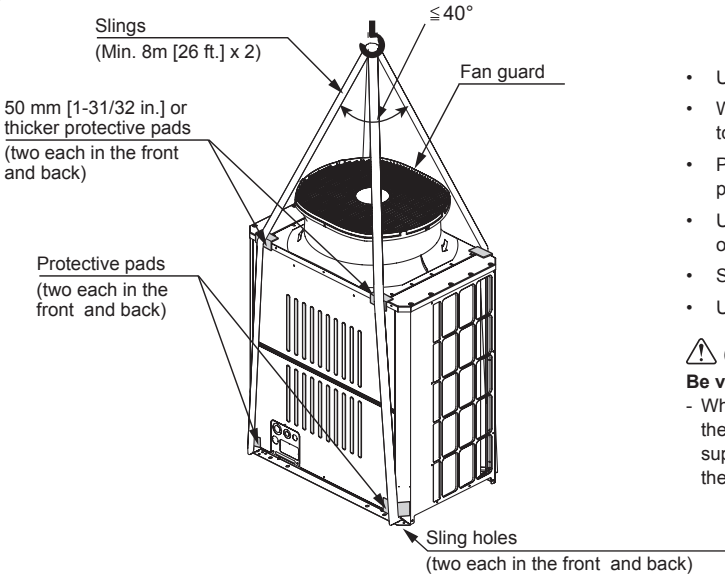
① P72



③ P120, P144



② P96



- Use suspension ropes that will withstand the weight of the unit.
- When moving the unit, use a **4-point suspension**, and avoid giving impacts to the unit (Do not use **2-point suspension**).
- Place protective pads on the unit where it comes in contact with the ropes to protect the unit from being scratched.
- Use a 50 mm [1-31/32 in.] or thicker cardboard or cloth as a protective pad on the top of the unit to prevent contact between the fan guard and slings.
- Set the angle of roping at 40° or less.
- Use 2 ropes that are each longer than 8 m [26 ft].

### ⚠ Caution:

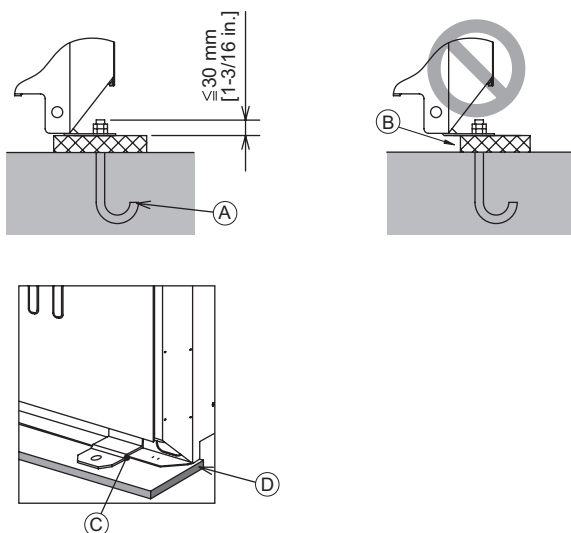
**Be very careful when carrying/moving the product.**

- When installing the outdoor unit, suspend the unit at the specified location of the unit base. Stabilize as necessary so that it does not move to the side and support it at 4 points. If the unit is installed or suspended with 3-point support, the unit may become unstable and fall.

## 8. Installation of unit

### 8.1. Installation

[Fig. 8.1.1]

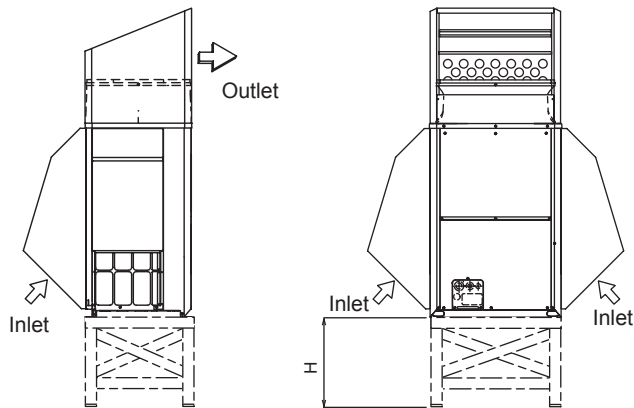


- (A) Field-supplied M10 anchor bolt
- (B) Corner is not seated.
- (C) Fixing bracket for the hole-in anchor bolt (3 locations to fix with screws)
- (D) Anti-vibration rubber  
Install it so that the rubber covers the entire width of the unit leg.

- Fix unit tightly with bolts so that unit will not fall down due to earthquakes or strong winds.
- Use concrete base or an angle bracket as the foundation of unit.
- Vibration may be transmitted to the installation section and noise and vibration may be generated from the floor and walls, depending on the installation conditions. Therefore, provide ample vibrationproofing (cushion pads, cushion frame, etc.).
- Build the foundation in such way that the corner of the installation leg is securely supported as shown in the figure. (Fig. 8.1.1)  
When using a rubber isolating cushion, please ensure it is large enough to cover the entire width of each of the unit's legs. If the corners are not firmly seated, the installation feet may be bent.
- When using cushion pads, be sure that the full width of the unit is covered.
- The projecting length of the anchor bolt should be less than 30 mm [1-3/16 in].
- Post-installed anchor bolts (i.e., bolts not firmly cemented into the base) are not compatible with this product unless fixing brackets are first mounted on the four locations (six locations: P120, 144).



[Fig. 8.1.2]



- In abnormally harsh environments such as cold and/or windy areas, sufficient countermeasures to guard against excessive wind and snow should be taken to ensure the unit's correct operation. When the unit is expected to operate in cooling mode in conditions under 10°C [50°F], in snowy areas, in environments subject to strong winds or rain, install air inlet and outlet ducting as shown in [Fig. 8.1.2].

**Note:**

- Height of frame base for snow damage prevention (H) shall be twice as high as expected snowfall. Width of frame base shall not exceed that of the unit. The frame base shall be made of angle steel, etc., and designed so that snow and wind slip through the structure. (If frame base is too wide, snow will be accumulated on it.)
- Install unit so that wind will not directly lash against openings of inlet and outlet ducts.
- Build frame base at customer referring to this figure.  
Material : Galvanized steel plate 1.2T  
Painting : Overall painting with polyester powder  
Color : Munsell 5Y8/1 (same as that of unit)
- When the unit is used in a cold region and the heating operation is continuously performed for a long time when the outside air temperature is below freezing, install a heater to the unit base or take other appropriate measures to prevent water from freezing on the base.

**Warning:**

- Be sure to install unit in a place strong enough to withstand its weight. Any lack of strength may cause unit to fall down, resulting in a personal injury.
- Have installation work in order to protect against strong winds and earthquakes. Any installation deficiency may cause unit to fall down, resulting in a personal injury.

When building the foundation, give full attention to the floor strength, drain water disposal <during operation, drain water flows out of the unit>, and piping and wiring routes.

**Precautions when routing the pipes and wires below the unit**

When routing the pipes and wires below the unit, be sure that the foundation and base work do not block the base through-holes. Also make sure the foundation is at least 100 mm [3-15/16 in] high so that the piping can pass under the unit.

## 9. Refrigerant piping installation

The pipe is connected via a terminal-branch type connection in which refrigerant piping from the outdoor unit is branched at the terminal and is connected to each of the indoor units.

The method of pipe connection is as follows: flare connection for the indoor units, gas pipes and liquid pipes for outdoor units, brazed connection. Note that the branched sections are brazed.

**Warning:**

Do not use refrigerant other than the type indicated in the manuals provided with the unit and on the nameplate.

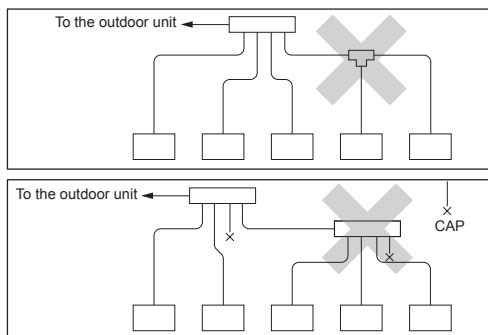
- Doing so may cause the unit or pipes to burst, or result in explosion or fire during use, during repair, or at the time of disposal of the unit.
- It may also be in violation of applicable laws.
- MITSUBISHI ELECTRIC CORPORATION cannot be held responsible for malfunctions or accidents resulting from the use of the wrong type of refrigerant.

Always use extreme care to prevent the refrigerant gas from leaking while using fire or flame. If the refrigerant gas comes in to contact with a flame from any source, such as a gas stove, it breaks down and generates a poisonous gas which can cause gas poisoning. Never weld in an unventilated room. Always conduct an inspection for gas leakage after installation of the refrigerant piping has been completed.

### 9.1. Caution

This unit uses refrigerant R410A. Follow the local regulations on materials and pipe thickness when selecting pipes. (Refer to the table on the right.)

- Use the following materials for refrigeration piping.
  - Material: Use copper alloy seamless pipes made of phosphorus deoxidized copper. Ensure the inner and outer surfaces of the pipes are clean and free from hazardous sulfur, oxide, dusts, shaving particles, oils, and moisture (contamination).
  - Size: Refer to item 9.2. for detailed information on refrigerant piping system.
- Always observe the restrictions on the refrigerant piping (such as rated length, height difference, and piping diameter) to prevent equipment failure or a decline in heating/cooling performance.
- Branching cannot be made after header branching (corresponding parts are marked with X in the diagram below).



- Do not install outdoor unit piping when it is raining.
- Commercially available piping often contains dust and other materials. Always blow it clean with a dry inert gas.

- Use care to prevent dust, water or other contaminants from entering the piping during installation.
- Reduce the number of bending portions as much as possible, and make bending radius as big as possible.
- For indoor and outdoor branching, be sure to use the following twinning pipe sets in the table 1 (sold separately).
- Use an adapter if a specified refrigerant pipe has a different diameter from that of a branching pipe.
- Braze only with non-oxide brazing material for piping. Failure to do so may damage the compressor. Be sure to perform the non-oxidation brazing with a nitrogen purge. Do not use any commercially available anti-oxidizing agent since it may cause pipe corrosion and degrading of the refrigerant oil. Please contact Mitsubishi Electric for more details.** (Refer to item 10.2. for details of the piping connection and valve operation)
- Always insulate the piping properly. Insufficient insulation will result in a decline in heating/cooling performance, water drops from condensation forming and other such problems. (Refer to item 10.4 for thermal insulation of refrigerant piping.)
- When connecting the refrigerant piping, make sure the valve of the outdoor unit is completely closed (the factory setting). Do not operate it until the refrigerant piping for the outdoor and indoor units has been connected, a refrigerant leakage test has been performed, and the evacuation process has been completed.
- Never use refrigerant to perform an air purge.** Always evacuate using a vacuum pump.
- Be sure to charge the system using liquid refrigerant.**
- Either a lack or an excess of refrigerant causes the unit to make an emergency stop. Charge the system with an appropriate amount of refrigerant. When servicing, always check the notes concerning pipe length and amount of additional refrigerant at both locations, the refrigerant volume calculation table on the back of the service panel and the additional refrigerant section on the labels for the combined number of indoor units. (Refer to item 9.2. for detailed information on refrigerant piping system.)

Copper pipe size and radial thickness for R410A CITY MULTI.

Size (mm)	Size (inch)	Radial thickness (mm)	Radial thickness (mil)	Pipe type
ø6.35	ø1/4"	0.8	32	Type-O
ø9.52	ø3/8"	0.8	32	Type-O
ø12.7	ø1/2"	0.8	32	Type-O
ø15.88	ø5/8"	1.0	40	Type-O
*ø19.05	ø3/4"	1.2	48	Type-O
*ø19.05	ø3/4"	1.0	40	Type-1/2H or H
ø22.2	ø7/8"	1.0	40	Type-1/2H or H
ø25.4	ø1"	1.0	40	Type-1/2H or H
ø28.58	ø1-1/8"	1.0	40	Type-1/2H or H
ø31.75	ø1-1/4"	1.1	44	Type-1/2H or H
ø34.93	ø1-3/8"	1.2	48	Type-1/2H or H
ø41.28	ø1-5/8"	1.4	56	Type-1/2H or H

\* Both pipe types can be used for pipe size ø19.05 (3/4 inch) for R410A air conditioner.

<Table 1>

Indoor twinning pipe set model						
Line branch				Header branch		
Lower stream unit model Less than 72 in total	Lower stream unit model More than 73 and less than 144 in total	Lower stream unit model More than 145 and less than 240 in total	Lower stream unit model More than 241 in total	4 branches	8 branches	10 branches
CMY-Y102SS-G2	CMY-Y102LS-G2	CMY-Y202S-G2	CMY-Y302S-G2	CMY-Y104C-G	CMY-Y108C-G	CMY-Y1010C-G

Outdoor Twinning Kit model	
Total outdoor model P144YSKMU, P168 ~ P240T/YSKMU	Total outdoor model P264 ~ P360T/YSKMU
CMY-Y100CBK3	CMY-Y300CBK2

**Warning:**

When installing and moving the unit, do not charge the system with any other refrigerant other than the refrigerant specified on the unit.

- Mixing of a different refrigerant, air, etc. may cause the refrigerant cycle to malfunction and may result in severe damage.

**Caution:**

- Use a vacuum pump with a reverse flow check valve.
  - If the vacuum pump does not have a reverse flow check valve, the vacuum pump oil may flow back into the refrigerant cycle and cause deterioration of the refrigerant oil.
- Do not use the tools shown below used with conventional refrigerant. (Gauge manifold, charge hose, gas leak detector, check valve, refrigerant charge base, vacuum gauge, refrigerant recovery equipment)
  - Mixing of conventional refrigerant and refrigerant oil may cause the refrigerant oil to deteriorate.

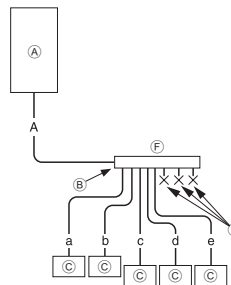
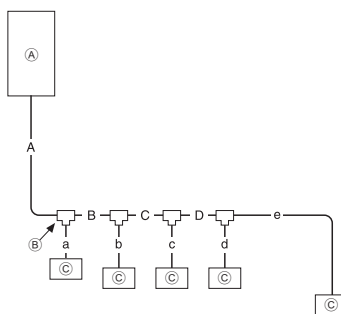
- Mixing of water will cause the refrigerant oil to deteriorate.
- R410A refrigerant does not contain any chlorine. Therefore, gas leak detectors for conventional refrigerants will not react to it.
- Manage the tools used for R410A more carefully than normal.
  - If dust, dirt, or water gets in the refrigerant cycle, the refrigerant oil will deteriorate.
- Never use existing refrigerant piping.
  - The large amount of chlorine in conventional refrigerant and refrigerant oil in the existing piping will cause the new refrigerant to deteriorate.
- Store the piping to be used during installation indoors and keep both ends of the piping sealed until just before brazing.
  - If dust, dirt, or water gets into the refrigerant cycle, the oil will deteriorate and the compressor may fail.
- Do not use a charging cylinder.
  - Using a charging cylinder may cause the refrigerant to deteriorate.
- Do not use special detergents for washing piping.

## 9.2. Refrigerant piping system

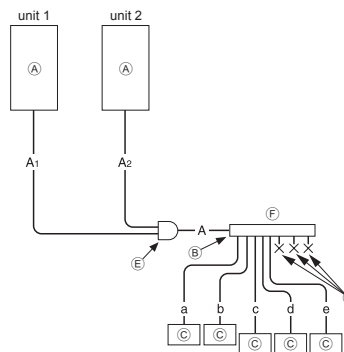
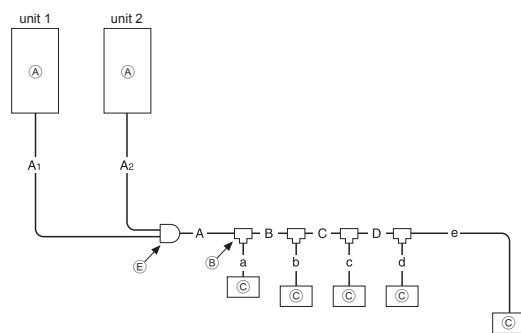
Connection Example

[Fig. 9.2.1]

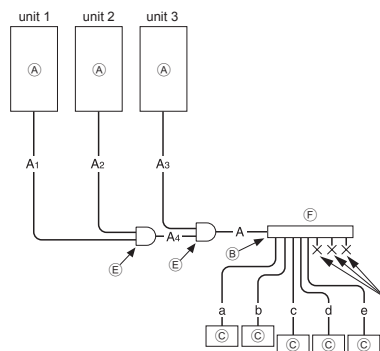
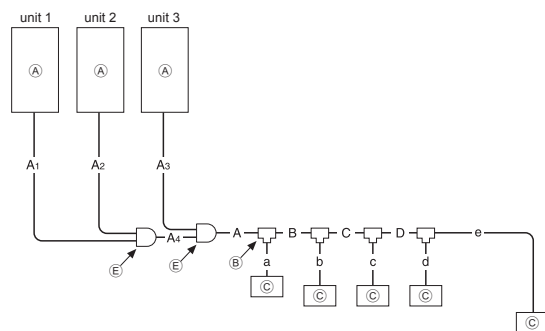
[Outdoor model : P72 ~ P144T/YKMU]



[Outdoor model : P144YSKMU, P168 ~ P240T/YSKMU]



[Outdoor model : P264 ~ P360T/YSKMU]



- (A) Outdoor unit
- (B) 1st branch
- (C) Indoor unit
- (D) Cap
- (E) Outdoor Twinning Kit
- (F) Header

\* The total length of A<sub>1</sub> (A<sub>2</sub>), A<sub>3</sub> and A<sub>4</sub> is less than 10 m [32 ft].

(Unit: mm [in])

Outdoor model	Unit combination			A		A1 <sup>*3</sup>		A2 <sup>*3</sup>		A3 <sup>*3</sup>		A4	
	Unit 1	Unit 2	Unit 3	Liquid pipe	Gas pipe	Liquid pipe	Gas pipe	Liquid pipe	Gas pipe	Liquid pipe	Gas pipe	Liquid pipe	Gas pipe
P72T/YKMU	-	-	-	ø9.52 [3/8]	ø22.2 [7/8]	-	-	-	-	-	-	-	-
P96T/YKMU	-	-	-	*1ø9.52 [3/8]	ø22.2 [7/8]	-	-	-	-	-	-	-	-
P120T/YKMU	-	-	-	*2ø9.52 [3/8]	ø28.58 [1-1/8]	-	-	-	-	-	-	-	-
P144T/YKMU	-	-	-	ø12.7 [1/2]	ø28.58 [1-1/8]	-	-	-	-	-	-	-	-
P144YSKMU	P72	P72	-	ø12.7 [1/2]	ø28.58 [1-1/8]	ø9.52 [3/8]	ø22.2 [7/8]	ø9.52 [3/8]	ø22.2 [7/8]	-	-	-	-
P168T/YSKMU	P96	P72	-	ø15.88 [5/8]	ø28.58 [1-1/8]	ø9.52 [3/8]	ø22.2 [7/8]	ø9.52 [3/8]	ø22.2 [7/8]	-	-	-	-
P192T/YSKMU	P120	P72	-	ø15.88 [5/8]	ø28.58 [1-1/8]	ø12.7 [1/2]	ø28.58 [1-1/8]	ø9.52 [3/8]	ø22.2 [7/8]	-	-	-	-
P216T/YSKMU	P120	P96	-	ø15.88 [5/8]	ø28.58 [1-1/8]	ø12.7 [1/2]	ø28.58 [1-1/8]	ø9.52 [3/8]	ø22.2 [7/8]	-	-	-	-
P240T/YSKMU	P120	P120	-	ø15.88 [5/8]	ø28.58 [1-1/8]	ø12.7 [1/2]	ø28.58 [1-1/8]	ø12.7 [1/2]	ø28.58 [1-1/8]	-	-	-	-
P264T/YSKMU	P120	P72	P72	ø19.05 [3/4]	ø34.93 [1-3/8]	ø12.7 [1/2]	ø28.58 [1-1/8]	ø9.52 [3/8]	ø22.2 [7/8]	ø9.52 [3/8]	ø22.2 [7/8]	ø19.05 [3/4]	ø34.93 [1-3/8]
P288T/YSKMU	P120	P96	P72	ø19.05 [3/4]	ø34.93 [1-3/8]	ø12.7 [1/2]	ø28.58 [1-1/8]	ø9.52 [3/8]	ø22.2 [7/8]	ø9.52 [3/8]	ø22.2 [7/8]	ø19.05 [3/4]	ø34.93 [1-3/8]
P312T/YSKMU	P120	P120	P72	ø19.05 [3/4]	ø34.93 [1-3/8]	ø12.7 [1/2]	ø28.58 [1-1/8]	ø12.7 [1/2]	ø28.58 [1-1/8]	ø9.52 [3/8]	ø22.2 [7/8]	ø19.05 [3/4]	ø34.93 [1-3/8]
P336T/YSKMU	P120	P120	P96	ø19.05 [3/4]	ø41.28 [1-5/8]	ø12.7 [1/2]	ø28.58 [1-1/8]	ø12.7 [1/2]	ø28.58 [1-1/8]	ø9.52 [3/8]	ø22.2 [7/8]	ø19.05 [3/4]	ø34.93 [1-3/8]
P360T/YSKMU	P120	P120	P120	ø19.05 [3/4]	ø41.28 [1-5/8]	ø12.7 [1/2]	ø28.58 [1-1/8]	ø12.7 [1/2]	ø28.58 [1-1/8]	ø12.7 [1/2]	ø28.58 [1-1/8]	ø19.05 [3/4]	ø34.93 [1-3/8]

\*1 ø12.7 for over 90m [295 ft]

\*2 ø12.7 for over 40m [131 ft]

\*3 The pipe sizes listed in columns A1 to A3 in this table correspond to the sizes for the models listed in the unit 1, 2, and 3 columns. When the order of the models for unit 1, 2, and 3 change, make sure to use the appropriate pipe size.

\*4 Ⓑ If the piping length after the first joint exceeds 40 m (≤ 90 m), use the one size larger liquid pipe for the indoor unit.

\*5 Ⓒ When the height difference between the indoor units is 15 m or greater (≤ 30 m), use the one size larger liquid pipe for the indoor unit (lower side).

B,C,D (Unit: mm [in])

Total capacity of indoor units	Liquid pipe	Gas pipe
~ 54	ø9.52 [3/8]	ø15.88 [5/8]
55 ~ 72	ø9.52 [3/8]	ø19.05 [3/4]
73 ~ 108	ø9.52 [3/8]	ø22.2 [7/8]
109 ~ 144	ø12.7 [1/2]	ø28.58 [1-1/8]
145 ~ 240	ø15.88 [5/8]	ø28.58 [1-1/8]
241 ~ 308	ø19.05 [3/4]	ø34.93 [1-3/8]
309 ~	ø19.05 [3/4]	ø41.28 [1-5/8]

a,b,c,d,e (Unit: mm [in])

Model number	Liquid pipe	Gas pipe
06, 08, 12, 15, 18	ø6.35 [1/4]	ø12.7 [1/2]
24, 27, 30, 36, 48, 54	ø9.52 [3/8]	ø15.88 [5/8]
72	ø9.52 [3/8]	ø19.05 [3/4]
96	ø9.52 [3/8]	ø22.2 [7/8]

Downstream unit model total	Joint
~ 72	CMY-Y102SS-G2
73 ~ 144	CMY-Y102LS-G2
145 ~ 240	CMY-Y202S-G2
The 1st branch of P144 ~ P240	
241 ~	CMY-Y302S-G2
The 1st branch of P264 ~ P360	

4-Branch header (Downstream indoor unit model total ≤ 72)	8-Branch header (Downstream indoor unit model total ≤ 144)	10-Branch header (Downstream indoor unit model total ≤ 240)
CMY-Y104C-G	CMY-Y108C-G	CMY-Y1010C-G

Outdoor model	Outdoor Twinning Kit
P144YSKMU, P192 ~ 240T/YSKMU	CMY-Y100CBK3
P264 ~ P360T/YSKMU	CMY-Y300CBK2

\*1 P144 has YSKMU model only.

**Precautions for outdoor unit combinations**

Refer to [Fig. 9.2.2] for the positioning of twinning pipes.

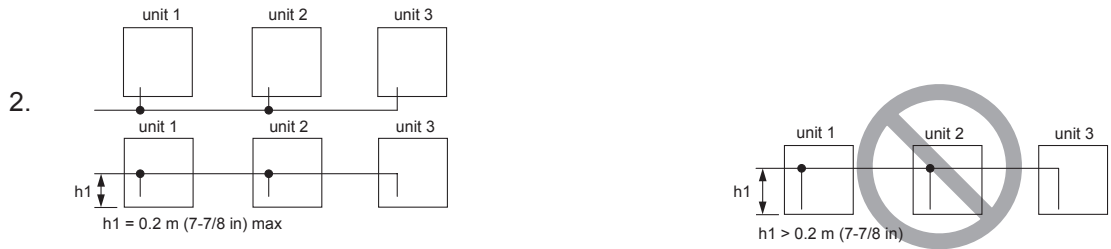
[Fig. 9.2.2]

<A> Install the piping so that oil will not accumulate in the stopped outdoor unit.



The NG example shows that oil accumulates because the units are installed on a reverse gradient while unit 1 is in operation, and unit 3 is stopped.

GB



The NG example shows that oil accumulates into units 1 and 2 while unit 3 is in operation, and units 1 and 2 are stopped. Vertical pipe height (h1) should be 0.2 m (7-7/8 in) or below.



The NG example shows that oil accumulates into unit 1 while unit 3 is in operation, and unit 1 is stopped. Difference between unit and unit in height (h2) should be 0.1 m (3-15/16 in) or below.



The NG example shows that oil accumulates into unit 3 while unit 1 is in operation, and unit 3 is stopped. Difference between unit and unit in height (h2) should be 0.1 m (3-15/16 in) or below.

<B> When the piping on the outdoor unit side (from the twinning pipe) exceeds 2 m [6 ft], ensure a trap (gas pipe only) within 2 m [6 ft].

Make sure the height of the trap is 200 mm [7-7/8 in] or more.

If there is no trap, oil can accumulate inside the pipe, causing a shortage of oil and may damage the compressor.

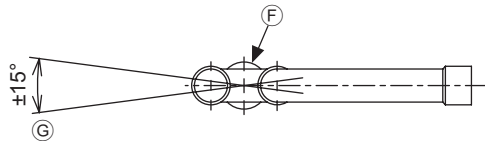


**⚠ Caution:**

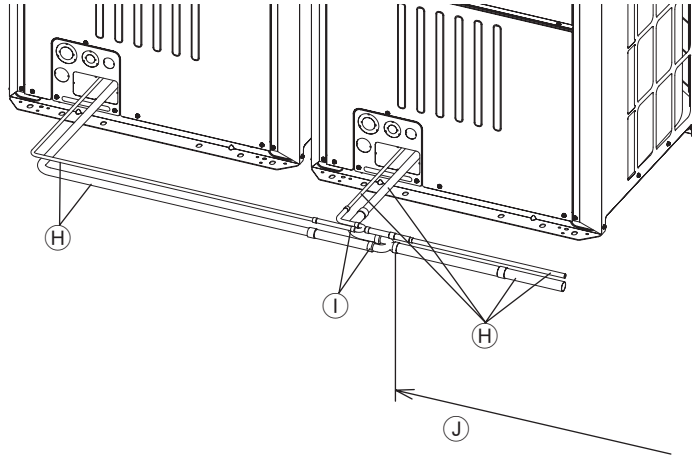
- Do not install traps other than the ones between outdoor units described on a separate sheet to prevent oil backflow and compressor start-up failure.
  - Do not install solenoid valves to prevent oil backflow and compressor start-up failure.
  - Do not install a sight glass because it may show improper refrigerant flow.
- If a sight glass is installed, inexperienced technicians that use the glass may overcharge the refrigerant.

<C> Slope of twinning pipes

Make sure the slope of the twinning pipes are at an angle within  $\pm 15^\circ$  to the ground.  
If the slope exceeds the specified angle, the unit may be damaged.



<D> Pipe connection example



- (A) Downward slope      (B) Upward slope      (C) Indoor unit      (D) Trap (gas pipe only)      (E) Within 2 m [6 ft]
- (F) Twinning pipe      (G) Slope of the twinning pipes are at an angle within  $\pm 15^\circ$  to the ground      (H) Pipes on site
- (I) Twinning Kit      (J) Straight run of pipe that is 500 mm [19-11/16 in] or more

## 10. Additional refrigerant charge

At the time of shipping, the outdoor unit is charged with refrigerant. This charge does not include the amount needed for extended piping and additional charging of each refrigerant line will be required on site. In order that future servicing may be properly provided, always keep a record of the size and length of each refrigerant line and the amount of additional charge by writing it in the space provided on the outdoor unit.

### 10.1. Calculation of additional refrigerant charge

- Calculate the amount of additional charge based on the length of the piping extension and the size of the refrigerant line.
- Use the table below as a guide for calculating the amount of additional charging and then charge the system accordingly.
- If the calculation results in a fraction of less than 0.1 kg [4 oz], round up to the next 0.1 kg [4 oz]. For example, if the result of the calculation was 12.38 kg [437 oz], round the result up to 12.4 kg [438 oz].

<Calculating the amount of refrigerant to be charged>

Additional refrigerant charge	=	Total length of liquid pipe sized $\phi 19.05$ mm [3/4 in] (m) $\times$ 0.29 (kg/m) (ft) $\times$ 3.12 (oz/ft)	+ Total length of liquid pipe sized $\phi 15.88$ mm [5/8 in] (m) $\times$ 0.2 (kg/m) (ft) $\times$ 2.16 (oz/ft)	+ Total length of liquid pipe sized $\phi 12.7$ mm [1/2 in] (m) $\times$ 0.12 (kg/m) (ft) $\times$ 1.30 (oz/ft)	
		+ Total length of liquid pipe sized $\phi 9.52$ mm [3/8 in] (m) $\times$ 0.06 (kg/m) (ft) $\times$ 0.65 (oz/ft)	+ Total length of liquid pipe sized $\phi 6.35$ mm [1/4 in] (m) $\times$ 0.024 (kg/m) (ft) $\times$ 0.26 (oz/ft)		
		Additional charge Outdoor unit model    Charged amount			
		P96                            2 kg P120                          8 kg P144			+ $\alpha$

<Example>

- Indoor
- |       |                            |               |                            |              |
|-------|----------------------------|---------------|----------------------------|--------------|
| 1: 48 | A: $\phi 12.7$ mm [1/2 in] | 40 m [131 ft] | a: $\phi 9.52$ mm [3/8 in] | 10 m [32 ft] |
| 2: 36 | B: $\phi 9.52$ mm [3/8 in] | 10 m [32 ft]  | b: $\phi 9.52$ mm [3/8 in] | 5 m [16 ft]  |
| 3: 15 | C: $\phi 9.52$ mm [3/8 in] | 15 m [49 ft]  | c: $\phi 6.35$ mm [1/4 in] | 10 m [32 ft] |
| 4: 12 | D: $\phi 9.52$ mm [3/8 in] | 10 m [32 ft]  | d: $\phi 6.35$ mm [1/4 in] | 10 m [32 ft] |
| 5: 24 |                            |               | e: $\phi 9.52$ mm [3/8 in] | 10 m [32 ft] |
- } At the conditions below:

The total length of each liquid line is as follows:

$\phi 12.7$  mm [1/2 in]: A = 40 m [131 ft] = 40 m [131 ft]

$\phi 9.52$  mm [3/8 in]: B + C + D + a + b + e

= 10 m [32 ft] + 15 m [49 ft] + 10 m [32 ft] + 10 m [32 ft] + 5 m [16 ft] + 10 m [32 ft] = 60 m [193 ft]

$\phi 6.35$  mm [1/4 in]: c + d = 10 m [32 ft] + 10 m [32 ft] = 20 m [64 ft]

Therefore,

<Calculation example>

Additional refrigerant charge

= 40 m [131 ft]  $\times$  0.12 kg/m [1.30 oz/ft] + 60 m [193 ft]  $\times$  0.06 kg/m [0.65 oz/ft] + 20 m [64 ft]  $\times$  0.024 kg/m [0.26 oz/ft] + 3.5 kg [124 oz] = 12.4 kg [438 oz]

Value of  $\alpha$

Total capacity of connecting indoor units	$\alpha$	
Models ~ 27	2.0 kg	[71 oz]
Models 28 ~ 54	2.5 kg	[89 oz]
Models 55 ~ 126	3.0 kg	[106 oz]
Models 127 ~ 144	3.5 kg	[124 oz]
Models 145 ~ 180	4.5 kg	[159 oz]
Models 181 ~ 234	5.0 kg	[177 oz]
Models 235 ~ 273	6.0 kg	[212 oz]
Models 274 ~ 307	8.0 kg	[283 oz]
Models 308 ~ 342	9.0 kg	[318 oz]
Models 343 ~ 411	10.0 kg	[353 oz]
Models 412 ~ 480	12.0 kg	[424 oz]
Models 481 ~	14.0 kg	[494 oz]

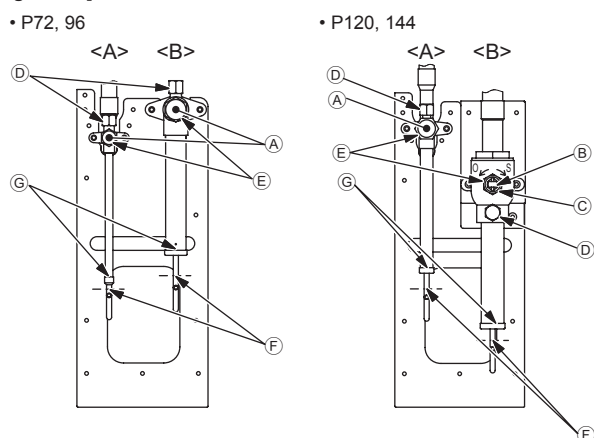
<Amount of factory charged refrigerant>

Outdoor unit model	Charged amount
P72	9.0 kg
P96	11.5 kg
P120	11.8 kg
P144	11.8 kg

## 10.2. Precautions concerning piping connection and valve operation

- Conduct piping connection and valve operation accurately and carefully.
- Removing the pinched connecting pipe**  
When shipped, a pinched connecting pipe is attached to the on-site liquid and gas valves to prevent gas leakage. Take the following steps ① through ④ to remove the pinched connecting pipe before connecting refrigerant pipes to the outdoor unit.
  - Check that the refrigerant service valve is fully closed (turned clockwise all the way).
  - Connect a charging hose to the service port on the liquid/gas refrigerant service valve, and extract the gas in the pipe section between the refrigerant service valve and the pinched connecting pipe.
  - After vacuuming gas from the pinched connecting pipe, sever the pinched connecting pipe at the location shown in [Fig.10.2.1] and drain the refrigerant.
  - After completing ② and ③ heat the brazed section to remove the pinched connecting pipe.

[Fig. 10.2.1]



- <A> Refrigerant service valve (liquid side/brazed type)
- <B> Refrigerant service valve (gas side/brazed type)
- (A) Shaft  
Fully closed at the factory, when connecting the piping, and when vacuuming. Open fully after these operations are completed.  
<When opening>
  - Turn the shaft counterclockwise with a hexagonal wrench.
  - Turn around the shaft until it stops.
 <When closing>
  - Turn the shaft clockwise with a hexagonal wrench.
  - Turn around the shaft until it stops.
- (B) Shaft  
Fully closed at the factory, when connecting the piping, and when vacuuming. Open fully after these operations are completed.  
<When opening>
  - Turn the shaft counterclockwise.
  - Turn around the shaft until it stops.
 <When closing>
  - Turn the shaft clockwise.
  - Turn around the shaft until it stops.
- (C) Stopper pin  
Prevents the shaft from turning 90° or more.
- (D) Service port  
Available for gas venting of the pinched connecting pipe, or vacuuming in the refrigerant pipes on the site.
- (E) Cap  
Remove the cap before operating the shaft. Be sure to return it to the original position after completing the operation.
- (F) Pinched connecting pipe severing portion
- (G) Pinched connecting pipe brazing portion

### Warning:

- The sections between the refrigerant service valves and the pinched connecting pipes are filled with gas and refrigerant oil. Extract the gas and refrigerant oil in the above-mentioned pipe section before heating the brazed section to remove the refrigerant service valve pinched connecting pipe.
  - If the brazed section is heated without first extracting the gas and refrigerant oil, the pipe may burst or the pinched connecting pipe may blow off and ignite the refrigerant oil, causing serious injury.

### Caution:

- Place a wet towel on the refrigerant service valve before heating the brazed section to keep the temperature of the valve from exceeding 120 °C [248 °F].
- Direct the flame away from the wiring and metal sheets inside the unit to prevent heat damage.

### Caution:

- Do not vent R410A into the atmosphere.

### Refrigerant pipe connection

This product needs connecting pipes for front piping and bottom post-piping. (Refer to [Fig.10.2.2])

Check the liquid/gas piping dimensions before connecting the refrigerant pipe.

Refer to the table below for piping dimensions.

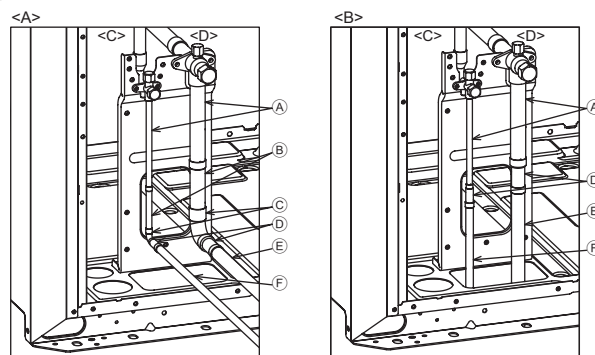
Make sure that the refrigerant pipe is not touching other refrigerants pipes, unit panels, or base plates.

Be sure to use non-oxidative brazing when connecting pipes.

Be careful not to burn the wiring and plate when brazing.

<Refrigerant piping connection examples>

[Fig.10.2.2]



- <A> Front pipe routing
- <B> Bottom pipe routing
- <C> Liquid side
- <D> Gas side
- (A) Refrigerant service valve piping
- (B) On-site piping (Adjust the pipe's position to the knockout hole.)
- (C) Elbow
- (D) Reducer etc.
- (E) On-site piping (gas connecting pipe)
- (F) On-site piping (liquid connecting pipe)

(Unit: mm [in])

Model	Diameter			
	Refrigerant pipe		Service valve	
	Liquid	Gas	Liquid	Gas
P72	ø9.52 [3/8] Brazed *1	ø22.2 [7/8] Brazed *2	ø9.52 [3/8]	ø28.58 [1-1/8]
P96	ø9.52 [3/8] Brazed *1 (ø12.7 [1/2] Brazed) *2, *4			
P120	ø9.52 [3/8] Brazed *2 (ø12.7 [1/2] Brazed) *1, *3, *5	ø28.58 [1-1/8] Brazed *2	ø12.7 [1/2]	
P144	ø12.7 [1/2] Brazed *1			

\*1 Expand the on-site piping and connect to the refrigerant service valve piping.

\*2 Use the pipe joint (field supply) and connect to the refrigerant service valve piping.

\*3 In the case the unit is used in combination with other outdoor units.

\*4 Furthest piping length (OU from IU) ≥ 90 m [295 ft]

\*5 Furthest piping length (OU from IU) ≥ 40 m [131 ft]

Satisfy the minimum insertion depth in the table below when expanding on-site piping

Pipe diameter (mm [in])	Minimum insertion depth (mm [in])
5 [7/32] or more, less than 8 [11/32]	6 [1/4]
8 [11/32] or more, less than 12 [1/2]	7 [9/32]
12 [1/2] or more, less than 16 [21/32]	8 [11/32]
16 [21/32] or more, less than 25 [1]	10 [13/32]
25 [1] or more, less than 35 [1-13/32]	12 [1/2]
35 [1-13/32] or more, less than 45 [1-25/32]	14 [9/16]

- After evacuation and refrigerant charging, ensure that the handle is fully open. If operating with the valve closed, abnormal pressure will be imparted to the high- or low-pressure side of the refrigerant circuit, giving damage to the compressor, four-way valve, etc.
- Determine the amount of additional refrigerant charge by using the formula, and charge refrigerant additionally through the service port after completing evacuation.
- After completing work, tighten the service port and cap securely so as not to generate any gas leakage. (Refer to the table on the below for appropriate tightening torque.)

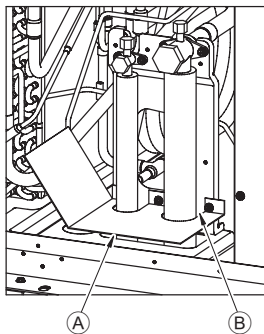
Appropriate tightening torque:

Outer diameter of copper pipe (mm [in])	Cap (N·m/kg·cm)	Shaft (N·m/kg·cm)	Size of hexagonal wrench (mm)	Service port (N·m/kg·cm)
ø9.52 [3/8]	15/150	6/60	4	12/120
ø12.7 [1/2]	20/200	9/90	4	
ø15.88 [5/8]	25/250	15/150	6	
ø19.05 [3/4]	25/250	30/300	6	
ø25.4 [1]	25/250	30/300	10	16/160
ø28.58 [1-1/8]	25/250	-	-	

**⚠ Caution:**

- **Keep the valve closed until refrigerant charging to the pipes to be added on site has been completed. Opening the valve before charging the refrigerant may cause damage to the unit.**
- **Do not use a leak detection additive.**

[Fig. 10.2.3]



- Ⓐ Example of closure materials (field-supplied)
- Ⓑ Fill the gap at the site

Make sure to seal-off the space around areas where the wires and refrigerant pipes enter the unit to ensure that small animals, rainwater, or snow cannot enter the unit through such openings and cause damage to the unit.

**⚠ Caution:**

**Make sure to seal-off the openings for the pipe and wire retrieval.**

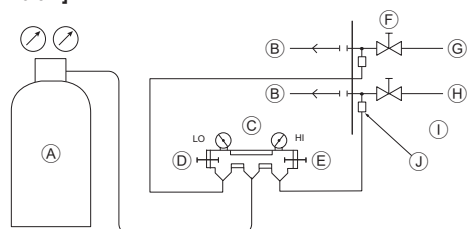
- **Small animals, rainwater, or snow entering through the openings may cause damage to the device.**

## 10.3. Airtight test, evacuation, and refrigerant charging

### ① Airtight test

Perform with the valve of the outdoor unit closed, and pressurize the connection piping and the indoor unit from the service port provided on the valve of the outdoor unit. (Always pressurize from both the liquid pipe and the gas pipe service ports.)

[Fig. 10.3.1]



- (A) Nitrogen gas
- (B) To indoor unit
- (C) System analyzer
- (D) Lo knob
- (E) Hi knob
- (F) Valve
- (G) Liquid pipe
- (H) Gas pipe
- (I) Outdoor unit
- (J) Service port

Observe the following restrictions when conducting an air tightness test to prevent negative effects on the refrigerating machine oil. Also, with nonazeotropic refrigerant (R410A), gas leakage causes the composition to change and affects performance. Therefore, perform the airtightness test cautiously.

Airtight test procedure	Restriction
<p>(1) After pressurizing to the design pressure (4.15 MPa [602 psi]) using nitrogen gas, allow it to stand for about one day. If the pressure does not drop, airtightness is good. However, if the pressure drops, since the leaking point is unknown, the following bubble test may also be performed.</p> <p>(2) After the pressurization described above, spray the flare connection parts, brazed parts, and other parts that may leak with a bubbling agent (Kyuboflex, etc.) and visually check for bubbles.</p> <p>(3) After the airtight test, wipe off the bubbling agent.</p>	<ul style="list-style-type: none"> <li>• If a flammable gas or air (oxygen) is used as the pressurization gas, it may catch fire or explode.</li> </ul>

### ⚠ Caution:

**Only use refrigerant R410A.**

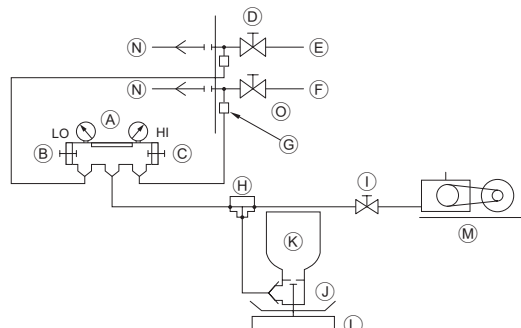
- The use of other refrigerant such as R22 or R407C, which contains chlorine, will deteriorate the refrigerating machine oil or cause the compressor to malfunction.

### ② Evacuation

Evacuate with the valve of the outdoor unit closed and evacuate both the connection piping and the indoor unit from the service port provided on the valve of the outdoor unit using a vacuum pump. (Always evacuate from the service port of both liquid pipe and gas pipe.) After the vacuum reaches 650 Pa [abs] [0.0943 psi/ 5 Torr], continue evacuation for at least one hour or more. Then, stop the vacuum pump and leave it for 1 hour. Ensure the degree of vacuum has not increased. **(If the degree of vacuum increase is larger than 130 Pa [0.01886 psi/1.0 Torr], water might have entered. Apply pressure to dry nitrogen gas up to 0.05 MPa [7.25 psi] and vacuum again. Repeat the evacuation process three or more times until the vacuum pressure is lost by 130 Pa or below.)** Finally, seal in with the liquid refrigerant through the liquid pipe, and adjust the gas piping to obtain an appropriate amount of the refrigerant during operation.

\* Never perform air purging using refrigerant.

[Fig. 10.3.2]



- (A) System analyzer
- (B) Lo knob
- (C) Hi knob
- (D) Valve
- (E) Liquid pipe
- (F) Gas pipe
- (G) Service port
- (H) Three-way joint
- (I) Valve
- (J) Valve
- (K) R410A cylinder
- (L) Scale
- (M) Vacuum pump
- (N) To indoor unit
- (O) Outdoor unit

### Note:

- For evacuation, the following procedures can be referred.

- Always add an appropriate amount of refrigerant. Also always charge the system with liquid refrigerant.
- Use a gauge manifold, charging hose, and other parts for the refrigerant indicated on the unit.
- Use a gravimeter. (One that can measure down to 0.1 kg [3 oz].)
- Use a vacuum pump with a reverse flow check valve.

(Recommended vacuum gauge: ROBINAIR 14830A Thermistor Vacuum Gauge or Micron Gauge)

Do not use a manifold gauge to measure vacuum pressure.

Also use a vacuum gauge that reaches 65 Pa [abs] [0.00943 psi/0.5 Torr] or below after operating for five minutes.)

### <Triple Evacuation>

- Evacuate the system to 4,000 microns from both service valves. System manifold gauges must not be used to measure vacuum. A micron gauge must be used at all times.
  - Break the vacuum with Nitrogen (N<sub>2</sub>) into the discharge service valve to 0 PSIG.
- Evacuate the system to 1,500 microns from the suction service valve.
  - Break the vacuum with Nitrogen (N<sub>2</sub>) into the discharge service valve to 0 PSIG.
- Evacuate the system to 500 microns. System must hold the vacuum at 500 microns for a minimum of 1 hour.
- Conduct a rise test for a minimum of 30 minutes.

### ③ Refrigerant Charging

**Do not use refrigerant other than the type indicated in the manuals provided with the unit and on the nameplate.**

- Doing so may cause the unit or pipes to burst, or result in explosion or fire during use, during repair, or at the time of disposal of the unit.

- It may also be in violation of applicable laws.

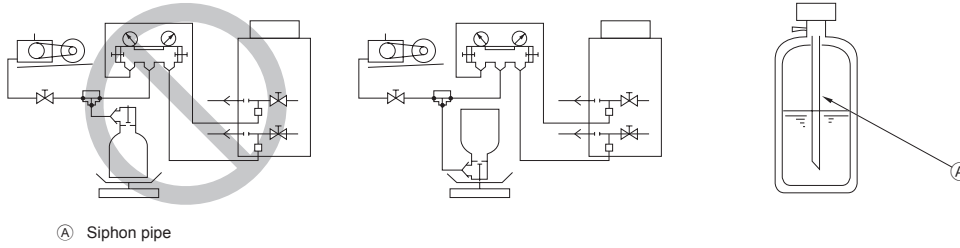
- MITSUBISHI ELECTRIC CORPORATION cannot be held responsible for malfunctions or accidents resulting from the use of the wrong type of refrigerant.

Since the refrigerant used with the unit is nonazeotropic, it must be charged in the liquid state. Consequently, when charging the unit with refrigerant from a cylinder, if the cylinder does not have a siphon pipe, charge the liquid refrigerant by turning the cylinder upside-down as shown in Fig.10.3.3. If the cylinder has a siphon pipe like that shown on the right of Fig.10.3.3, the liquid refrigerant can be charged with the cylinder standing upright. Therefore, give careful attention to the cylinder specifications. If the unit should be charged with gas refrigerant, replace all the refrigerant with new refrigerant. Do not use the refrigerant remaining in the cylinder.



[Fig. 10.3.3]

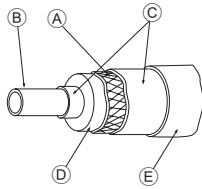
<If the cylinder does not have a siphon pipe, charge with the refrigerant cylinder upside-down.>



## 10.4. Thermal insulation of refrigerant piping

Be sure to add insulation work to refrigerant piping by covering liquid pipe and gas pipe separately with enough thickness heat-resistant polyethylene, so that no gap is observed in the joint between indoor unit and insulating material, and insulating materials themselves. When insulation work is insufficient, there is a possibility of condensation drip, etc. Pay special attention to insulation work in the ceiling plenum.

[Fig. 10.4.1]



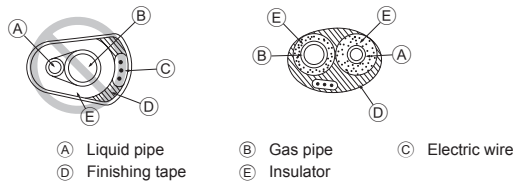
- A Steel wire
- B Piping
- C Oily mastic asphalt or asphalt
- D Heat insulation material A
- E Outer covering B

Heat insulation material A	Glass fiber + Steel wire	
	Adhesive + Heat - resistant polyethylene foam + Adhesive tape	
Outer covering B	Indoor	Vinyl tape
	Floor exposed	Water-proof hemp cloth + Bronze asphalt
	Outdoor	Water-proof hemp cloth + Zinc plate + Oily paint

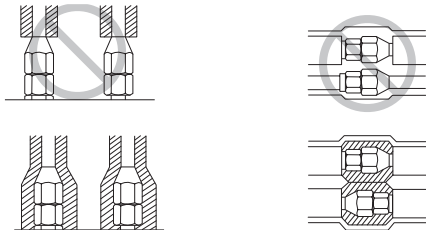
### Note:

- When using polyethylene cover as covering material, asphalt roofing shall not be required.
- No heat insulation must be provided for electric wires.

[Fig. 10.4.2]



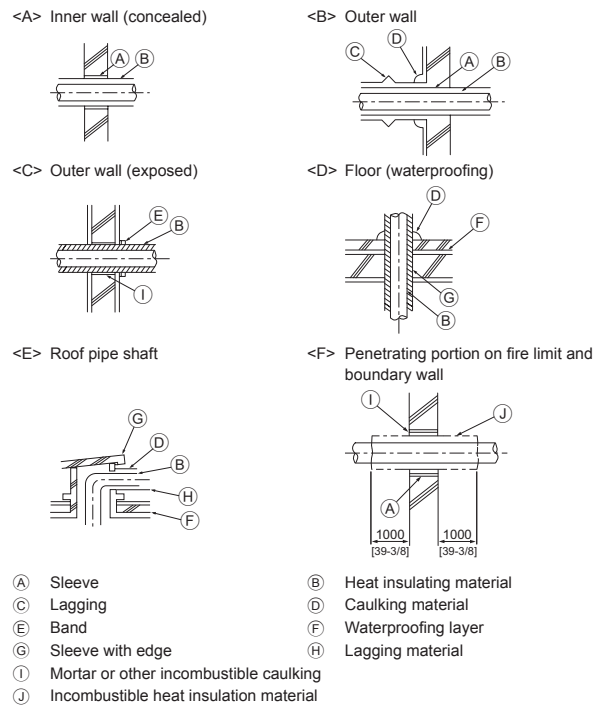
[Fig. 10.4.3]



## Penetrations

[Fig. 10.4.4]

(Unit: mm [in])



When filling a gap with mortar, cover the penetration part with steel plate so that the insulation material will not be caved in. For this part, use incombustible materials for both insulation and covering. (Vinyl covering should not be used.)

- Insulation materials for the pipes to be added on site must meet the following specifications:

	Pipe size	
	ø6.35 to 25.4 mm [1/4 to 1 in]	ø28.58 to 41.28 mm [1-1/8 to 1-21/32 in]
Thickness	10 mm min. [13/32 in min.]	15 mm min. [19/32 in min.]
Temperature Resistance	100°C min. [212°F min.]	

- \* Installation of pipes in a high-temperature high-humidity environment, such as the top floor of a building, may require the use of insulation materials thicker than the ones specified in the chart above.
- \* When certain specifications presented by the client must be met, ensure that they also meet the specifications on the chart above.

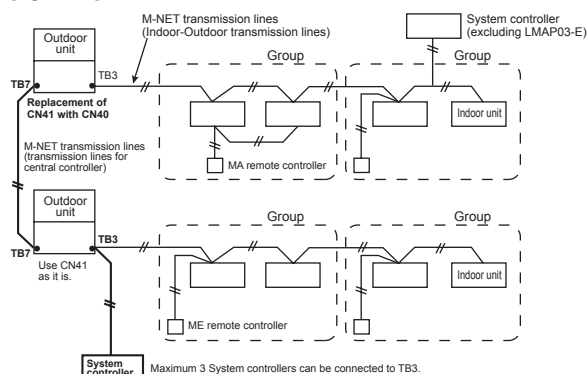
## 11. Wiring (For details, refer to the installation manual of each indoor/outdoor unit and controller.)

### 11.1. Caution

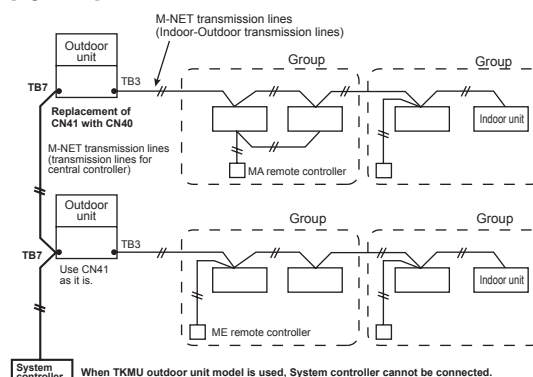
- ① Follow ordinance of your governmental organization for technical standard related to electrical equipment, wiring regulations and guidance of each electric power company.
- ② Wiring for control (hereinafter referred to as transmission line) shall be (5 cm or more [2 in or more]) apart from power source wiring so that it is not influenced by electric noise from power source wiring. (Do not insert transmission line and power source wire in the same conduit.)
- ③ Be sure to provide designated grounding work to the outdoor unit.
- ④ Give some allowance to wiring for the electrical part box on the indoor and outdoor units, because these boxes are sometimes removed at the time of service work.
- ⑤ Never connect the main power source to terminal block of transmission line. If connected, electrical parts will be damaged.
- ⑥ Use 2-core shield cable for the transmission line. If transmission lines of different systems are wired with the same multicore cable, the resultant poor transmitting and receiving will cause erroneous operations.
- ⑦ Only the transmission line specified should be connected to the terminal block for outdoor unit transmission. Erroneous connection does not allow the system to operate.
- ⑧ When connecting a System Controller to outdoor units or performing a group operation of indoor units that are connected to different outdoor units, a transmission line for centralized control is required. When using a transmission line for centralized control, connect the transmission line (non-polar 2 core wire) to all TB7 terminals between all outdoor units.
- ⑨ Grouping is set by operating the remote controller.

- **Control box houses high-voltage parts.**
- **When opening or closing the front panel of the control box, do not let it come into contact with any of the internal components.**
- **Before inspecting the inside of the control box, turn off the power, keep the unit off for at least 10 minutes, and confirm that the capacitor voltage (inverter main circuit) has dropped to 20 VDC or less. (It takes about 10 minutes to discharge electricity after the power supply is turned off.)**
- **Control box houses high temperature parts. Be well careful even after turning off the power source.**
- **Perform the service after disconnecting the fan board connector (CNINV) and the inverter board connector (CN1 or CNFAN). (To plug or unplug connectors, check that the outdoor unit fan is not rotating and that the voltage of capacitor in the main circuit is 20 VDC or below. The capacitor may collect a charge and cause an electric shock when the outdoor unit fan rotates in windy conditions. Refer to the wiring nameplate for details.)**
- **To connect wiring to TB7, check that the voltage is 20 VDC or below.**
- **Reconnect the connector (CNINV) back to the fan board and reconnect the connector (CN1 or CNFAN) back to the inverter board after servicing.**
- **When the power is turned on, the compressor is energized even while it is not operating.**
  - Before turning on the power, disconnect all power supply wires from the compressor terminal block, and measure the insulation resistance of the compressor.
  - Check the compressor for a ground fault. If the insulation resistance is 1.0 MΩ or below, connect all power supply wires to the compressor and turn on the power to the outdoor unit. (The liquid refrigerant in the compressor will evaporate by energizing the compressor.)
- **When the System controller is connected to TB7 side and TKMU outdoor unit model is used, connect a PAC-SC51KUA to TB7 side. If a PAC-SC51KUA cannot be used, connect the System controller to TB3 side.**
  - When YKMU outdoor unit model is used, the male power supply connector can be connected to CN40, and the System controller can be connected to TB7 side.
  - When the male power supply connector is connected from TKMU outdoor unit to CN40, the power is supplied to TB7 side even when the main power of the TKMU outdoor unit is switched off, and the System controller may store an error in the error history and emit an alarm signal.
  - If only LOSSNAY units or outdoor units in different refrigerant circuits are connected to TB7 side, the male power supply connector can be connected from TKMU outdoor unit to CN40.
  - Up to three System controllers can be connected to TB3 side.

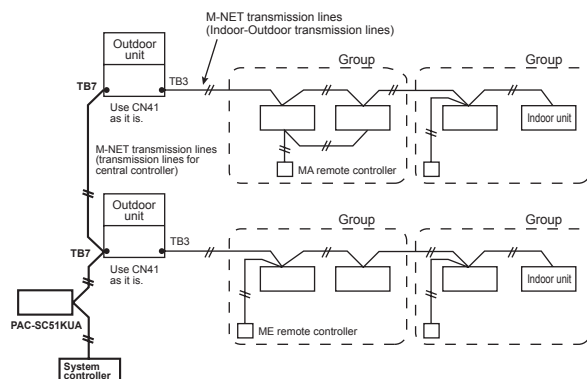
[Fig. 11.1.A]



[Fig. 11.1.B]



[Fig. 11.1.C]



### 11.2. Control box and connecting position of wiring

#### ① Outdoor unit

1. Remove the front panel of the control box by removing the 4 screws and pushing it up a little before pulling it out.
2. Connect the indoor - outdoor transmission line to the terminal block (TB3) for the indoor - outdoor transmission line. If multiple outdoor units are connected in the same refrigerant system, daisy-chain TB3 (M1, M2, ground terminal ⚡) on the outdoor units. Connect the indoor - outdoor transmission line for the outdoor units to TB3 (M1, M2, ground terminal ⚡) of only one of the outdoor units.
3. Connect the transmission lines for centralized control (between the centralized control system and the outdoor unit of different refrigerant systems) to the terminal block for centralized control (TB7). If the multiple outdoor units are connected to the same refrigerant system, daisy-chain TB7 (M1, M2, S Terminal) on the outdoor units in the same refrigerant system. (\*1)

\*1 : If TB7 on the outdoor unit in the same refrigerant system is not daisy-chained, connect the transmission line for centralized control to TB7 on the OC (\*2). If the OC is out of order, or if the centralized control is being conducted during the power supply shut-off, daisy-chain TB7 on the OC, OS1 and OS2. (In the case that the outdoor unit whose power supply connector CN41 on the control board has been replaced with CN40 is out of order or the power is shut-off, centralized control will not be conducted even when TB7 is daisy-chained.)

- \*2 : OC, OS1 and OS2 of the outdoor units in the same refrigerant system are automatically identified. They are identified as OC, OS1 and OS2 in descending order of capacity. (If the capacity is the same, they will be in ascending order of their address number.)
- In the case of indoor-outdoor transmission line, connect the shield ground to the ground terminal  $\Delta$ . In the case of transmission lines for centralized control, connect it to the shield terminal (S) on the terminal block for centralized control (TB7). Furthermore, in the case of the outdoor units whose power supply connector CN41 is replaced with CN40, short circuit the shield terminal (S) and the ground terminal  $\Delta$  in addition to the above.

- Fix the connected wires securely in place with the cable strap at the bottom of the terminal block. External force applied to the terminal block may damage it and may cause a short circuit, ground fault, or a fire.
- When extending the transmission line, make sure to extend the shield cable as well.

### [1] Supplied parts

This unit includes the following parts.

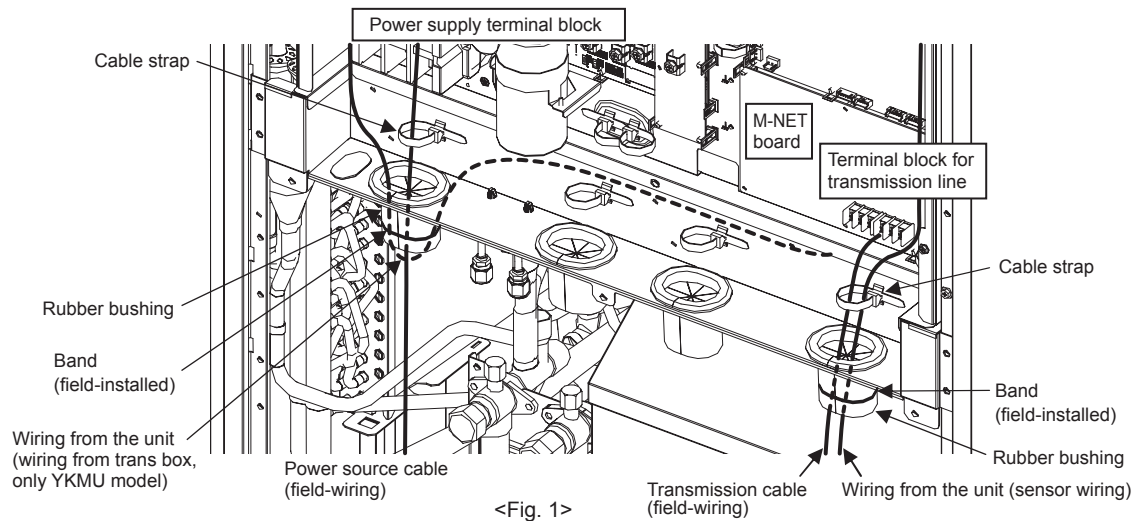
- ① Band ... 2 pcs.

### [2] Preparation for installation

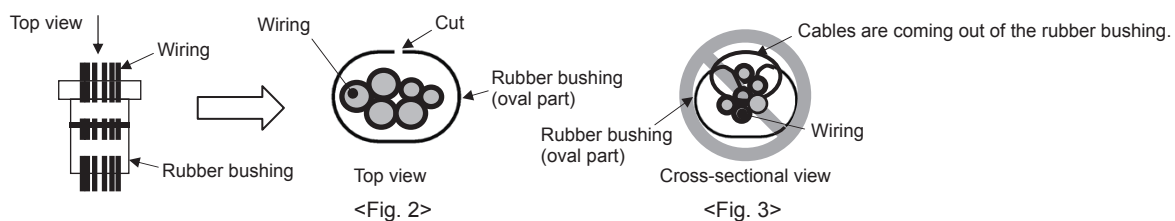
- Check that the main power on the outdoor unit is turned off.
- After turning off the main power, leave it turned off for at least 10 minutes before proceeding the installation work.

### [3] Installation

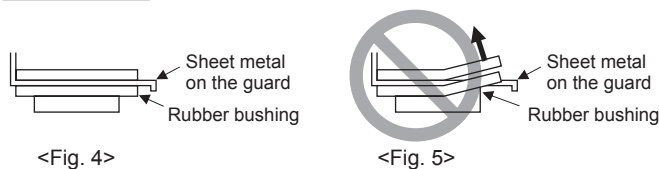
- Thread the power source cable through the rubber bushing on the left side. (Refer to Fig. 1, Note 1, and Note 2.)
- Thread the unit wiring (sensor wiring) and the transmission cable through the rubber bushing on the right side. (Refer to Fig. 1, Note 1, and Note 2.)
- Hold the power source cable and the transmission cable in place respectively with the cable straps. (Refer to Fig. 1)
- Connect the cables respectively to the power supply terminal block and the terminal block for transmission line. (Refer to Fig. 1)
- Secure each rubber bushing with the supplied band. (Refer to Fig. 1 and Note 3)



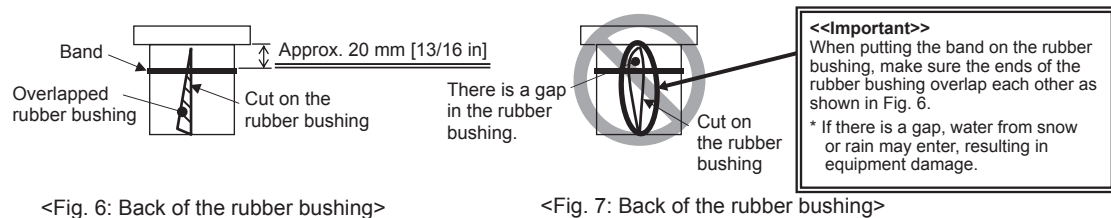
Note 1) Make sure the cables are not coming out of the rubber bushing cut. (Fig. 2 and Fig. 3)



Note 2) When threading the wiring through the rubber bushing, make sure the rubber bushing will not come off the sheet metal on the control box guard. (Fig. 4 and Fig. 5)



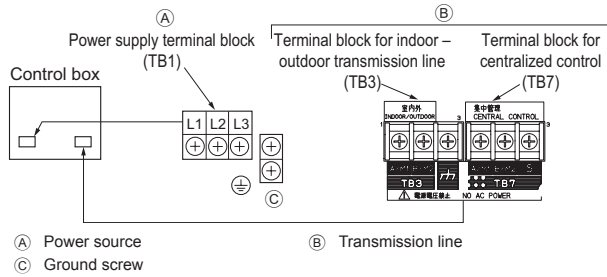
Note 3) When tying the supplied band around the rubber bushing, make sure to leave no gap between the ends. (Fig. 6 and Fig. 7)



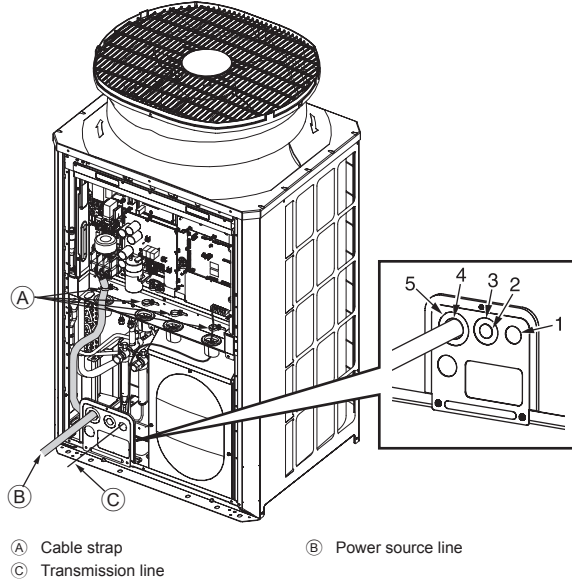
<Fig. 6: Back of the rubber bushing>

<Fig. 7: Back of the rubber bushing>

[Fig. 11.2.1]



[Fig. 11.2.2]



- When using wire size AWG 14, AWG 12, or AWG 10, be sure to use knockout hole 2.
- When using wire size AWG 8 or AWG 6, be sure to use knockout hole 4.
- When using wire size AWG 4, AWG 3, or AWG 2, be sure to use knockout hole 3.
- When using wire size AWG 3/0, AWG 2/0, or AWG 0, be sure to use knockout hole 5.
- If there are any gaps around the wires, please be sure to fill these in with a suitable material.

② Conduit tube installation

- Open by hammering the knockout holes for the conduit tube located on the base and the bottom part of the front panel.
- When installing the conduit tube directly through the knockout holes, remove the burr and protect the tube with masking tape.
- Use the conduit tube to narrow down the opening if there is a possibility of small animals entering the unit.
- When taking the conduit tube out from the bottom part of the unit, caulk around the tube opening to prevent water penetration.

### 11.3. Wiring transmission cables

① Types of control cables

1. Wiring transmission cables

- Types of transmission cables: Shielding wire CVVS, CPEVS or MVVS
- Cable diameter: More than 1.25 mm<sup>2</sup> [AWG 16]
- Maximum wiring length: Within 200 m [656 ft]
- Maximum length of transmission lines for centralized control and indoor/outdoor transmission lines (Maximum length via outdoor units): 500 m [1,640 ft] MAX  
The maximum length of the wiring between power supply unit for transmission lines (on the transmission lines for centralized control) and each outdoor unit and system controller is 200 m [656 ft].

2. Remote control cables

• M-NET Remote Controller

Kind of remote control cable	Sheathed 2-core cable (unshielded) CVV
Cable diameter	0.3 to 1.25 mm <sup>2</sup> [AWG 22 to 16] (0.75 to 1.25 mm <sup>2</sup> [AWG 18 to 16])*
Remarks	When 10 m [32 ft] is exceeded, use cable with the same specifications as 1. Wiring transmission cables.

• MA Remote Controller

Kind of remote control cable	Sheathed 2-core cable (unshielded) CVV
Cable diameter	0.3 to 1.25 mm <sup>2</sup> [AWG 22 to 16] (0.75 to 1.25 mm <sup>2</sup> [AWG 18 to 16])*
Remarks	Within 200 m [656 ft]

\* Connected with simple remote controller.

② Wiring examples

- Controller name, symbol and allowable number of controllers.

	Name	Code	Possible unit connections
Outdoor unit	Main unit	OC	– (*2)
	Sub unit	OS1, OS2	– (*2)
Indoor unit	Indoor unit controller	IC	1 to 26 units per 1 OC (*1)
Remote controller	Remote controller (*1)	RC	2 units maximum per group (*3)
Other	Transmission booster unit	RP	0 to 1 unit per 1 OC (*1)

\*1 A transmission booster (RP) may be required depending on the number of connected indoor unit controllers.

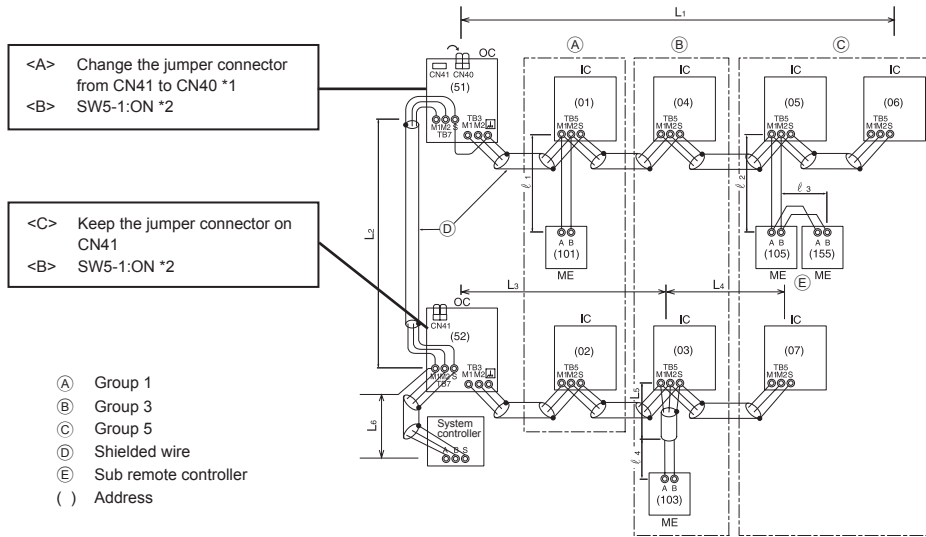
\*2 OC, OS1 and OS2 of the outdoor units in the same refrigerant system are automatically identified. They are identified as OC, OS1 and OS2 in descending order of capacity. (If the capacity is the same, they will be in ascending order of their address number.)

\*3 When a PAR-30MAAU is connected to a group, no other MA remote controllers can be connected to the same group.

**Example of a group operation system with multiple outdoor units (Shielding wires and address setting are necessary.)**

<Examples of transmission cable wiring>

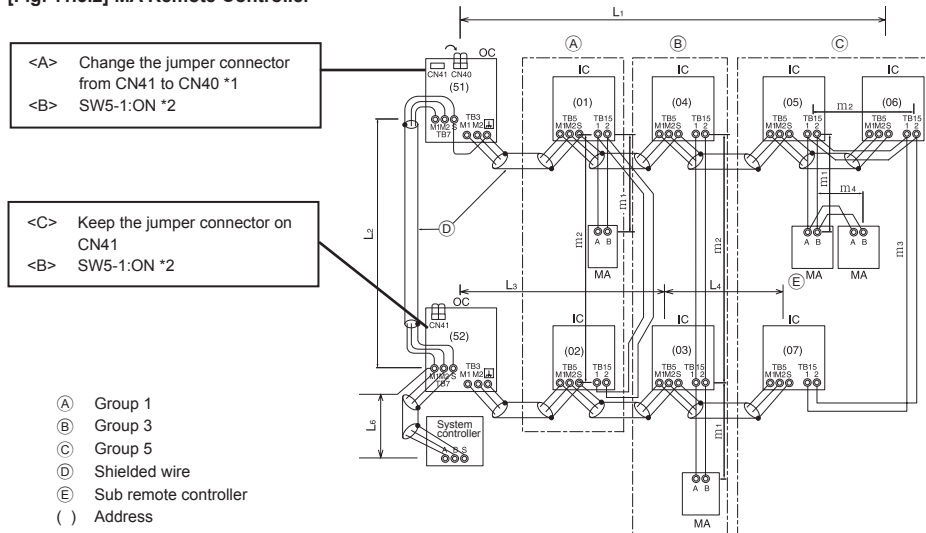
**[Fig. 11.3.1] M-NET Remote Controller**



\*1 : When the power supply unit is not connected to the transmission line for centralized control, disconnect the male power supply connector (CN41) from ONE outdoor unit in the system and connect it to CN40 (except TKMU model). When the System controller is connected to TB7 side and TKMU outdoor unit model is used, connect a PAC-SC51KUA to TB7 side. If a PAC-SC51KUA cannot be used, connect the System controller to TB3 side. Up to three System controllers can be connected to TB3 side.

\*2 : If a system controller is used, set SW5-1 on all of the outdoor units to ON.

**[Fig. 11.3.2] MA Remote Controller**

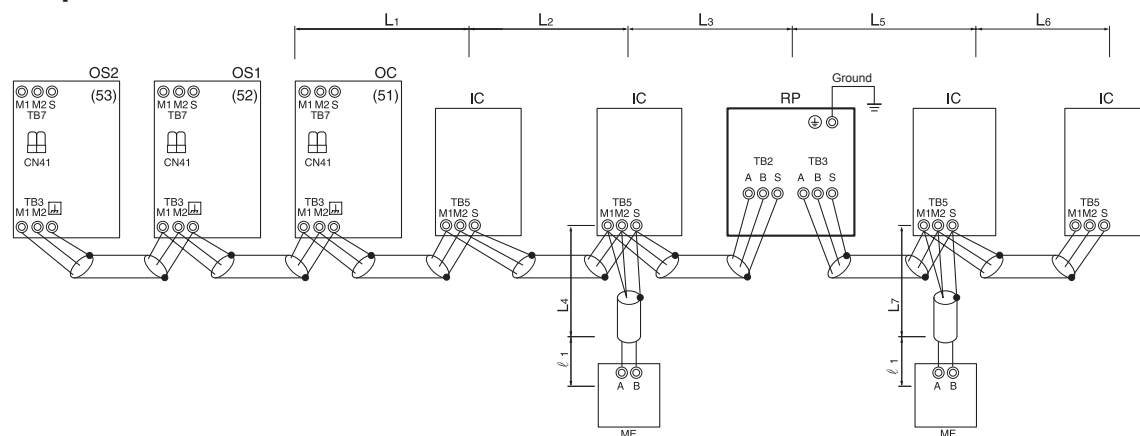


\*1 : When the power supply unit is not connected to the transmission line for centralized control, disconnect the male power supply connector (CN41) from ONE outdoor unit in the system and connect it to CN40 (except TKMU model). When the System controller is connected to TB7 side and TKMU outdoor unit model is used, connect a PAC-SC51KUA to TB7 side. If a PAC-SC51KUA cannot be used, connect the System controller to TB3 side. Up to three System controllers can be connected to TB3 side.

\*2 : If a system controller is used, set SW5-1 on all of the outdoor units to ON.

\*3 : When a PAR-30MAAU is connected to a group, no other MA remote controllers can be connected to the same group.

**[Fig. 11.3.3] Combination of outdoor units and transmission booster unit**



<Wiring Method and Address Settings>

- Always use shielded wire when making connections between the outdoor unit (OC) and the indoor unit (IC), as well for all OC-OC, OC-OS, OS-OS and IC-IC wiring intervals.
- Use feed wiring to connect terminals M1 and M2 and the ground terminal  $\searrow$  on the transmission line terminal block (TB3) of each outdoor unit (OC) to terminals M1, M2 and terminal S on the transmission line block of the indoor unit (IC). For OC and OS, connect TB3 to TB3.
- Connect terminals 1 (M1) and 2 (M2) on the transmission line terminal block of the indoor unit (IC) that has the most recent address within the same group to the terminal block on the remote controller (RC).
- Connect together terminals M1, M2 and terminal S on the terminal block for central control (TB7) for the outdoor unit in a different refrigerant system (OC). For OC and OS in the same refrigerant system, connect TB7 to TB7.
- When the power supply unit is not installed on the central control transmission line, change the jumper connector on the control board from CN41 to CN40 of only one outdoor unit in the system (except TKMU model). When the System controller is connected to TB7 side and TKMU outdoor unit model is used, connect a PAC-SC51KUA to TB7 side. If a PAC-SC51KUA cannot be used, connect the System controller to TB3 side. Up to three System controllers can be connected to TB3 side.
- Connect the terminal S on the terminal block for central control (TB7) for the outdoor unit (OC) for the unit into which the jumper connector was inserted into CN40 in the Step above to the ground terminal  $\searrow$  in the electrical component box.
- Set the address setting switch as follows.
  - \* To set the outdoor unit address to 100, the outdoor address setting switch must be set to 50.

Unit	Range	Setting Method
Indoor unit (Main)	01 to 50	Use the most recent address within the same group of indoor units
Indoor unit (Sub)	01 to 50	Use an address, other than that of the IC (Main) from among the units within the same group of indoor units. This must be in sequence with the IC (Main)
Outdoor Unit (OC, OS)	51 to 100	Set the addresses of the outdoor units in the same refrigerant system in the order of sequential number. OC, OS1 and OS2 are automatically identified. (*1)
M-NET R/C (Main)	101 to 150	Set at an IC (Main) address within the same group plus 100
M-NET R/C (Sub)	151 to 200	Set at an IC (Main) address within the same group plus 150
MA R/C	-	Unnecessary address setting (Necessary main/sub setting) (*2)

\*1 OC, OS1 and OS2 of the outdoor units in the same refrigerant system are automatically identified. They are identified as OC, OS1 and OS2 in descending order of capacity. (If the capacity is the same, they are identified in the ascending order of their address number.)

\*2 When a PAR-30MAAU is connected to a group, no other MA remote controllers can be connected to the same group.

- The group setting operations among the multiple indoor units is done by the remote controller (RC) after the electrical power has been turned on.
- When the centralized remote controller is connected to the system, set centralized control switches (SW5-1) on control boards in all outdoor units (OC, OS1 and OS2) to "ON".

<Permissible Lengths>

① **M-NET Remote controller [Fig. 11.3.1]**

- Max length via outdoor units:  $L_1+L_2+L_3+L_4$  and  $L_1+L_2+L_3+L_5$  and  $L_1+L_2+L_6 \leq 500$  m [1,640 ft] (1.25 mm<sup>2</sup> [AWG 16] or more)
- Max transmission cable length:  $L_1$  and  $L_3+L_4$  and  $L_3+L_5$  and  $L_6$  and  $L_2+L_6 \leq 200$  m [656 ft] (1.25 mm<sup>2</sup> [AWG 16] or more)
- Remote controller cable length:  $\ell_1, \ell_2, \ell_3, \ell_4 \leq 10$  m [32 ft] (0.3 to 1.25 mm<sup>2</sup> [AWG 22 to 16])  
If the length exceeds 10 m [32 ft], use a 1.25 mm<sup>2</sup> [AWG 16] shielded wire. The length of this section ( $L_8$ ) should be included in the calculation of the maximum length and overall length.

② **MA Remote controller [Fig. 11.3.2]**

- Max length via outdoor unit (M-NET cable):  $L_1+L_2+L_3+L_4$  and  $L_1+L_2+L_6 \leq 500$  m [1,640 ft] (1.25 mm<sup>2</sup> [AWG 16] or more)
- Max transmission cable length (M-NET cable):  $L_1$  and  $L_3+L_4$  and  $L_6$  and  $L_2+L_6 \leq 200$  m [656 ft] (1.25 mm<sup>2</sup> [AWG 16] or more)
- Remote controller cable length:  $m_1+m_2$  and  $m_1+m_2+m_3+m_4 \leq 200$  m [656 ft] (0.3 to 1.25 mm<sup>2</sup> [AWG 22 to 16])

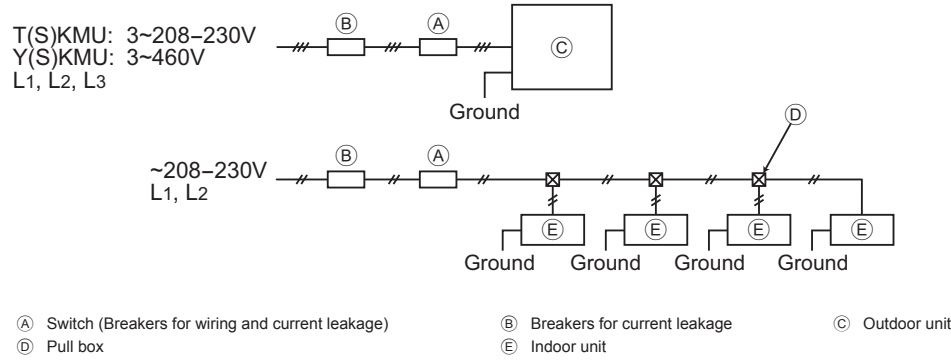
③ **Transmission booster [Fig. 11.3.3]**

- Max transmission cable length (M-NET cable):
  - ①  $L_1+L_2+L_3+L_5+L_6 \leq 200$  m [656 ft] (1.25 mm<sup>2</sup> [AWG 16])
  - ②  $L_1+L_2+L_3+L_5+L_7 \leq 200$  m [656 ft] (1.25 mm<sup>2</sup> [AWG 16])
  - ③  $L_1+L_2+L_4 \leq 200$  m [656 ft] (1.25 mm<sup>2</sup> [AWG 16])
  - ④  $L_6+L_5+L_3+L_4, L_4+L_3+L_5+L_7 \leq 200$  m [656 ft] (1.25 mm<sup>2</sup> [AWG 16])
- Remote controller cable length:  $\ell_1, \ell_2 \leq 10$  m [32 ft] (0.3 to 1.25 mm<sup>2</sup> [AWG 22 to 16])  
If the length exceeds 10 m [32 ft], use 1.25 mm<sup>2</sup> [AWG 16] shielded cable and calculate the length of that portion ( $L_4$  and  $L_7$ ) as within the total extended length and the longest remote length.

## 11.4. Wiring of main power supply and equipment capacity

Schematic Drawing of Wiring (Example)

[Fig. 11.4.1]



### Thickness of wire for main power supply, on/off capacities

<Power source: 208V / 230V>

	Model	Unit combination	Recommended setting						MCA (A)	MOCP (A)
			Minimum wire thickness (mm <sup>2</sup> [AWG])			Switch (A)	MAX. CKT. BKR (A)	Breaker for current leakage		
			Main cable	Branch	Ground	Capacity				
Outdoor unit	PUHY-P72TKMU-A(-BS)	-	5.3 [10]	-	5.3 [10]	30	30	30 A 30 mA or 100 mA 0.1sec. or less	25	42
	PUHY-P96TKMU-A(-BS)	-	8.4 [40]	-	8.4 [40]	40	40	40 A 30 mA or 100 mA 0.1sec. or less	34	57
	PUHY-P120TKMU-A(-BS)	-	13.3 [6]	-	13.3 [6]	50	50	50 A 100 mA 0.1sec. or less	45	73
	PUHY-P144TKMU-A(-BS)	-	13.3 [6]	-	13.3 [6]	60	60	60 A 100 mA 0.1sec. or less	53	88
	PUHY-P168TSKMU-A(-BS)	PUHY-P96TKMU-A(-BS)	8.4 [40]	-	8.4 [40]	40	40	40 A 30 mA or 100 mA 0.1sec. or less	34	57
		PUHY-P72TKMU-A(-BS)	5.3 [10]	-	5.3 [10]	30	30	30 A 30 mA or 100 mA 0.1sec. or less	25	42
	PUHY-P192TSKMU-A(-BS)	PUHY-P120TKMU-A(-BS)	13.3 [6]	-	13.3 [6]	50	50	50 A 100 mA 0.1sec. or less	45	73
		PUHY-P72TKMU-A(-BS)	5.3 [10]	-	5.3 [10]	30	30	30 A 30 mA or 100 mA 0.1sec. or less	25	42
	PUHY-P216TSKMU-A(-BS)	PUHY-P120TKMU-A(-BS)	13.3 [6]	-	13.3 [6]	50	50	50 A 100 mA 0.1sec. or less	45	73
		PUHY-P96TKMU-A(-BS)	8.4 [40]	-	8.4 [40]	40	40	40 A 30 mA or 100 mA 0.1sec. or less	34	57
	PUHY-P240TSKMU-A(-BS)	PUHY-P120TKMU-A(-BS)	13.3 [6]	-	13.3 [6]	50	50	50 A 100 mA 0.1sec. or less	45	73
		PUHY-P120TKMU-A(-BS)	13.3 [6]	-	13.3 [6]	50	50	50 A 100 mA 0.1sec. or less	45	73
	PUHY-P264TSKMU-A(-BS)	PUHY-P120TKMU-A(-BS)	13.3 [6]	-	13.3 [6]	50	50	50 A 100 mA 0.1sec. or less	45	73
		PUHY-P72TKMU-A(-BS)	5.3 [10]	-	5.3 [10]	30	30	30A 30mA or 100 mA 0.1sec. or less	25	42
		PUHY-P72TKMU-A(-BS)	5.3 [10]	-	5.3 [10]	30	30	30A 30mA or 100 mA 0.1sec. or less	25	42
		PUHY-P120TKMU-A(-BS)	13.3 [6]	-	13.3 [6]	50	50	50 A 100 mA 0.1sec. or less	45	73
	PUHY-P288TSKMU-A(-BS)	PUHY-P96TKMU-A(-BS)	8.4 [40]	-	8.4 [40]	40	40	40A 30mA or 100 mA 0.1sec. or less	34	57
		PUHY-P72TKMU-A(-BS)	5.3 [10]	-	5.3 [10]	30	30	30A 30mA or 100 mA 0.1sec. or less	25	42
	PUHY-P312TSKMU-A(-BS)	PUHY-P120TKMU-A(-BS)	13.3 [6]	-	13.3 [6]	50	50	50 A 100 mA 0.1sec. or less	45	73
		PUHY-P120TKMU-A(-BS)	13.3 [6]	-	13.3 [6]	50	50	50 A 100 mA 0.1sec. or less	45	73
		PUHY-P72TKMU-A(-BS)	5.3 [10]	-	5.3 [10]	30	30	30 A 30 mA or 100 mA 0.1sec. or less	25	42
	PUHY-P336TSKMU-A(-BS)	PUHY-P120TKMU-A(-BS)	13.3 [6]	-	13.3 [6]	50	50	50 A 100 mA 0.1sec. or less	45	73
		PUHY-P96TKMU-A(-BS)	8.4 [40]	-	8.4 [40]	40	40	40 A 30 mA or 100 mA 0.1sec. or less	34	57
	PUHY-P360TSKMU-A(-BS)	PUHY-P120TKMU-A(-BS)	13.3 [6]	-	13.3 [6]	50	50	50 A 100 mA 0.1sec. or less	45	73
	PUHY-P120TKMU-A(-BS)	13.3 [6]	-	13.3 [6]	50	50	50 A 100 mA 0.1sec. or less	45	73	
	PUHY-P120TKMU-A(-BS)	13.3 [6]	-	13.3 [6]	50	50	50 A 100 mA 0.1sec. or less	45	73	

<Power source: 460V>

	Model	Unit combination	Recommended setting						MCA (A)	MOCP (A)
			Minimum wire thickness (mm <sup>2</sup> [AWG])			Switch (A)	MAX. CKT. BKR (A)	Breaker for current leakage		
			Main cable	Branch	Ground	Capacity				
Outdoor unit	PUHY-P72YKMU-A(-BS)	—	2.1 [14]	—	2.1 [14]	15	15	15 A 30 mA or 100 mA 0.1sec. or less	12	19
	PUHY-P96YKMU-A(-BS)	—	3.3 [12]	—	3.3 [12]	20	20	20 A 30 mA or 100 mA 0.1sec. or less	15	26
	PUHY-P120YKMU-A(-BS)	—	5.3 [10]	—	5.3 [10]	25	25	25 A 30 mA or 100 mA 0.1sec. or less	20	33
	PUHY-P144YKMU-A(-BS)	—	5.3 [10]	—	5.3 [10]	30	30	30 A 30 mA or 100 mA 0.1sec. or less	24	40
	PUHY-P144YSKMU-A(-BS)	PUHY-P72YKMU-A(-BS)	2.1 [14]	—	2.1 [14]	15	15	15 A 30 mA or 100 mA 0.1sec. or less	12	19
		PUHY-P72YKMU-A(-BS)	2.1 [14]	—	2.1 [14]	15	15	15 A 30 mA or 100 mA 0.1sec. or less	12	19
	PUHY-P168YSKMU-A(-BS)	PUHY-P96YKMU-A(-BS)	3.3 [12]	—	3.3 [12]	20	20	20 A 30 mA or 100 mA 0.1sec. or less	15	26
		PUHY-P72YKMU-A(-BS)	2.1 [14]	—	2.1 [14]	15	15	15 A 30 mA or 100 mA 0.1sec. or less	12	19
	PUHY-P192YSKMU-A(-BS)	PUHY-P120YKMU-A(-BS)	5.3 [10]	—	5.3 [10]	25	25	25 A 30 mA or 100 mA 0.1sec. or less	20	33
		PUHY-P72YKMU-A(-BS)	2.1 [14]	—	2.1 [14]	15	15	15 A 30 mA or 100 mA 0.1sec. or less	12	19
	PUHY-P216YSKMU-A(-BS)	PUHY-P120YKMU-A(-BS)	5.3 [10]	—	5.3 [10]	25	25	25 A 30 mA or 100 mA 0.1sec. or less	20	33
		PUHY-P96YKMU-A(-BS)	3.3 [12]	—	3.3 [12]	20	20	20 A 30 mA or 100 mA 0.1sec. or less	15	26
	PUHY-P240YSKMU-A(-BS)	PUHY-P120YKMU-A(-BS)	5.3 [10]	—	5.3 [10]	25	25	25 A 30 mA or 100 mA 0.1sec. or less	20	33
		PUHY-P120YKMU-A(-BS)	5.3 [10]	—	5.3 [10]	25	25	25 A 30 mA or 100 mA 0.1sec. or less	20	33
	PUHY-P264YSKMU-A(-BS)	PUHY-P120YKMU-A(-BS)	5.3 [10]	—	5.3 [10]	25	25	25 A 30 mA or 100 mA 0.1sec. or less	20	33
		PUHY-P72YKMU-A(-BS)	2.1 [14]	—	2.1 [14]	15	15	15 A 30 mA or 100 mA 0.1sec. or less	12	19
	PUHY-P288YSKMU-A(-BS)	PUHY-P72YKMU-A(-BS)	2.1 [14]	—	2.1 [14]	15	15	15 A 30 mA or 100 mA 0.1sec. or less	12	19
		PUHY-P120YKMU-A(-BS)	5.3 [10]	—	5.3 [10]	25	25	25 A 30 mA or 100 mA 0.1sec. or less	20	33
	PUHY-P312YSKMU-A(-BS)	PUHY-P96YKMU-A(-BS)	3.3 [12]	—	3.3 [12]	20	20	20 A 30 mA or 100 mA 0.1sec. or less	15	26
		PUHY-P72YKMU-A(-BS)	2.1 [14]	—	2.1 [14]	15	15	15 A 30 mA or 100 mA 0.1sec. or less	12	19
	PUHY-P336YSKMU-A(-BS)	PUHY-P120YKMU-A(-BS)	5.3 [10]	—	5.3 [10]	25	25	25 A 30 mA or 100 mA 0.1sec. or less	20	33
		PUHY-P120YKMU-A(-BS)	5.3 [10]	—	5.3 [10]	25	25	25 A 30 mA or 100 mA 0.1sec. or less	20	33
	PUHY-P360YSKMU-A(-BS)	PUHY-P96YKMU-A(-BS)	3.3 [12]	—	3.3 [12]	20	20	20 A 30 mA or 100 mA 0.1sec. or less	15	26
		PUHY-P120YKMU-A(-BS)	5.3 [10]	—	5.3 [10]	25	25	25 A 30 mA or 100 mA 0.1sec. or less	20	33
		PUHY-P120YKMU-A(-BS)	5.3 [10]	—	5.3 [10]	25	25	25 A 30 mA or 100 mA 0.1sec. or less	20	33
		PUHY-P120YKMU-A(-BS)	5.3 [10]	—	5.3 [10]	25	25	25 A 30 mA or 100 mA 0.1sec. or less	20	33

1. Use dedicated power supplies for the outdoor unit and indoor unit. Ensure OC and OS are wired individually.
2. Bear in mind ambient conditions (ambient temperature, direct sunlight, rain water, etc.) when proceeding with the wiring and connections.
3. The wire size is the minimum value for metal conduit wiring. If the voltage drops, use a wire that is one rank thicker in diameter. Make sure the power-supply voltage does not drop more than 10%. Make sure that the voltage imbalance between the phases is 2% or less.
4. Specific wiring requirements should adhere to the wiring regulations of the region.
5. Power supply cords of parts of appliances for outdoor use shall not be lighter than polychloroprene sheathed flexible cord (design 245 IEC57). For example, use wiring such as YZW.
6. A switch with at least 3 mm [1/8 in] contact separation in each pole shall be provided by the Air conditioner installation.

**Warning:**

- Be sure to use specified wires for connections and ensure no external force is imparted to terminal connections. If connections are not fixed firmly, heating or fire may result.
- Be sure to use the appropriate type of overcurrent protection switch. Note that generated overcurrent may include some amount of direct current.

**Caution:**

- The breakers for current leakage should support Inverter circuit. (e.g. Mitsubishi Electric's NV-C series or equivalent). If no earth leakage breaker is installed, it may cause an electric shock.
- Breakers for current leakage should combine using of switch.
- Do not use anything other than a breaker with the correct capacity. Using a breaker of too large capacity may cause malfunction or fire.
- If a large electric current flows due to malfunction or faulty wiring, earth-leakage breakers on the unit side and on the upstream side of the power supply system may both operate. Depending on the importance of the system, separate the power supply system or take protective coordination of breakers.



## 12. Test run

### 12.1. Typical unit operation

#### Items to be checked before a test run

- Measure the insulation resistance between the power supply terminal block and the ground with a 500 V ohmmeter, and check that it reads at least 1.0 MΩ.  
- If the insulation resistance is 1.0 MΩ or below, turn on the main power to the unit and energize the compressor for at least 12 hours.

#### ⚠ Warning:

- **The compressor is energized when the main power to the unit is turned on. Make sure to turn off the power before disconnecting the compressor power source cable from the terminal block to measure the insulation resistance.**
- **If the insulation resistance is 1.0 MΩ or below, do not operate the unit.**
- Turn on the power at least 12 hours before performing a test run.  
- Doing so will energize the compressor and evaporate the refrigerant in the compressor.

#### ⚠ Caution:

- **Insufficient energizing may result in compressor damage.**

The events listed in the table below are normal occurrences and do not represent operation problems.

Events	Display on remote controller	Cause
A specific indoor unit is not performing the cooling or heating operation.	<b>"Cooling" or "heating" flashes</b>	Because other indoor unit in the same refrigerant system is performing the heating or cooling operation, the cooling or heating operation for the indoor unit in question is not operating.
Auto vane automatically switches air flow direction.	<b>Normal display</b>	The auto vane may switch over to horizontal air flow operation from vertical air flow operation in cooling mode if the vertical air flow operation has been running for 1 hour. At defrost in heating mode or immediately after heating start-up/shutdown, the auto vane automatically switches to horizontal air flow for a short time.
Fan speed automatically changes during heating operation.	<b>Normal display</b>	Unit fan operates in ultra-low speed when thermostat is turned off; automatically changes over to set value via timer or refrigerant temperature when thermostat is turned off.
Fan stops during heating operation.	<b>Defrost display</b>	Fan does not operate when unit is in defrost mode.
Fan does not stop even if unit is not operating.	<b>No display</b>	When in heating mode, fan still runs for 1 minute after unit stops to exhaust any residual heat.
At initial start in heating operation, fan cannot be manually set.	<b>Heat ready</b>	Fan automatically runs in ultra-low speed for 5 minutes after system is turned on, or until refrigerant temperatures rises to 35°C [95°F], and runs in low-speed operation for 2 minutes thereafter until set temperature is reached.
Indoor unit remote controller displays "H0" or "PLEASE WAIT" for about 5 minutes after turning on the universal power supply.	<b>"H0" or "PLEASE WAIT" flashes</b>	System is performing the initial operating sequence. Remote controller will be operable again after "H0" or "PLEASE WAIT" stops flashing and disappears.
Drain pump continues to operate even after the unit has been turned off.	<b>No display</b>	After turning off the cooling operation, unit continues to operate the drain pump for 3 minutes, then shuts it off. Unit also continues to operate drain pump if condensate has been generated.
Indoor unit emits noise when switching from heating to cooling and vice versa.	<b>Normal display</b>	This is a normal sound of the refrigerant circuit operating properly.
Immediately after startup, the indoor unit emits the sound of the refrigerant flow.	<b>Normal display</b>	Unstable flow of the refrigerant emits a sound. This is temporary and does not imply a problem.
Warm air is omitted from an indoor unit that is not performing the heating operation.	<b>Normal display</b>	The LEV is slightly open for preventing any refrigerant, inside of the indoor unit that is not performing the heating operation, from being liquefied. This does not imply a problem.

GB

### 12.2. Outdoor unit function setting

Function settings can be made by setting SW4, SW6, and SWP01 on the outdoor unit control board.

- To make function settings, set the 10th bit of SW6 to ON, and then set SW4. To change the setting, press SWP01 for two seconds or longer. The switch settings can be checked on LED3. (The item No. will be displayed on LED1.)

Write down the switch settings on the electrical wiring diagram label on the control box panel for future reference when the control board needs to be replaced.

<SW4 setting item list>

Item	Setting item No. (*2)	Setting content	Setting (LED3 display (*3))		SW4 0: OFF, 1: ON										SWP01
			OFF (unlit)	ON (lit)	1	2	3	4	5	6	7	8	9	10	
Setting (*1)	921	LED1 display	Celsius	Fahrenheit	1	0	0	1	1	0	0	1	1	1	(*4)
	933	Snow sensor setting	No. 934 ineffective	No. 934 effective	1	0	1	0	0	1	0	1	1	1	(*4)
	934	Snow sensor setting	Continuous fan operation	Intermittent fan operation	0	1	1	0	0	1	0	1	1	1	(*4)

\*1 Check on LED3 that the switches are set correctly.

\*2 Change the setting item No. when the 10th bit of SW6 is set to ON.

\*3 This will blink while the system is starting up.

\*4 After setting the setting item No., press SWP01 for two seconds or longer.

<SW6 setting item list>

Item	Switch	Setting content	SW6 setting		Switch setting timing
			OFF	ON	
Setting	SW6-1	-	-	-	-
	SW6-2	-	-	-	-
	SW6-3	-	-	-	-
	SW6-4	High static pressure setting (unit model selection)	Standard static pressure	High static pressure	Before being energized (*1)
	SW6-5	High static pressure setting (selection of 60 Pa or 30 Pa)	60 Pa	30 Pa	Before being energized (*1)
	SW6-6	-	-	-	-
	SW6-7	Low-noise mode selection	Performance priority	Low-noise priority	Any time after being energized (*2)
	SW6-8	Selection of Low-noise or Demand	Low-noise (Night)	Demand	Before being energized (*1)
	SW6-9	-	-	-	-
	SW6-10	Selection of Diagnostic display or Function detail setting	Diagnostic display	Function detail setting	Any time after being energized (*2)

\*1 The DIPSW setting can be made before the unit is energized.

\*2 The DIPSW setting can be made any time after the unit is energized.

#### Note:

- **Do not change the factory settings of SW5-3 through SW5-8.**
- **Unless otherwise specified, leave the switch to OFF where indicated by "-", which may be set to OFF for a reason.**

### 13. Rating plate information

Model	PUHY-P72TKMU-A(-BS)	PUHY-P96TKMU-A(-BS)	PUHY-P120TKMU-A(-BS)	PUHY-P144TKMU-A(-BS)	PUHY-P168TSKMU-A(-BS)		PUHY-P192TSKMU-A(-BS)	
Unit combination	—	—	—	—	PUHY-P96TKMU-A(-BS)	PUHY-P72TKMU-A(-BS)	PUHY-P120TKMU-A(-BS)	PUHY-P72TKMU-A(-BS)
Refrigerant (R410A)	9.0 kg [19 LBS 13 oz]	11.5 kg [25 LBS 6 oz]	11.8 kg [26 LBS 1 oz]	11.8 kg [26 LBS 1 oz]	11.5 kg [25 LBS 6 oz]	9.0 kg [19 LBS 13 oz]	11.8 kg [26 LBS 1 oz]	9.0 kg [19 LBS 13 oz]
Allowable pressure (Ps)	HP: 4.15 MPa [601 psi], LP: 2.21 MPa [320 psi]							
Net weight	195 kg [430 LBS]	241 kg [532 LBS]	316 kg [697 LBS]	316 kg [697 LBS]	241 kg [532 LBS]	195 kg [430 LBS]	316 kg [697 LBS]	195 kg [430 LBS]

Model	PUHY-P216TSKMU-A(-BS)		PUHY-P240TSKMU-A(-BS)		PUHY-P264TSKMU-A(-BS)		
Unit combination	PUHY-P120TKMU-A(-BS)	PUHY-P96TKMU-A(-BS)	PUHY-P120TKMU-A(-BS)	PUHY-P120TKMU-A(-BS)	PUHY-P120TKMU-A(-BS)	PUHY-P72TKMU-A(-BS)	PUHY-P72TKMU-A(-BS)
Refrigerant (R410A)	11.8 kg [26 LBS 1 oz]	11.5 kg [25 LBS 6 oz]	11.8 kg [26 LBS 1 oz]	11.8 kg [26 LBS 1 oz]	11.8 kg [26 LBS 1 oz]	9.0 kg [19 LBS 13 oz]	9.0 kg [19 LBS 13 oz]
Allowable pressure (Ps)	HP: 4.15 MPa [601 psi], LP: 2.21 MPa [320 psi]						
Net weight	316 kg [697 LBS]	241 kg [532 LBS]	316 kg [697 LBS]	316 kg [697 LBS]	316 kg [697 LBS]	195 kg [430 LBS]	195 kg [430 LBS]

Model	PUHY-P288TSKMU-A(-BS)			PUHY-P312TSKMU-A(-BS)		
Unit combination	PUHY-P120TKMU-A(-BS)	PUHY-P96TKMU-A(-BS)	PUHY-P72TKMU-A(-BS)	PUHY-P120TKMU-A(-BS)	PUHY-P120TKMU-A(-BS)	PUHY-P72TKMU-A(-BS)
Refrigerant (R410A)	11.8 kg [26 LBS 1 oz]	11.5 kg [25 LBS 6 oz]	9.0 kg [19 LBS 13 oz]	11.8 kg [26 LBS 1 oz]	11.8 kg [26 LBS 1 oz]	9.0 kg [19 LBS 13 oz]
Allowable pressure (Ps)	HP: 4.15 MPa [601 psi], LP: 2.21 MPa [320 psi]					
Net weight	316 kg [697 LBS]	241 kg [532 LBS]	195 kg [430 LBS]	316 kg [697 LBS]	316 kg [697 LBS]	195 kg [430 LBS]

Model	PUHY-P336TSKMU-A(-BS)			PUHY-P360TSKMU-A(-BS)		
Unit combination	PUHY-P120TKMU-A(-BS)	PUHY-P120TKMU-A(-BS)	PUHY-P96TKMU-A(-BS)	PUHY-P120TKMU-A(-BS)	PUHY-P120TKMU-A(-BS)	PUHY-P120TKMU-A(-BS)
Refrigerant (R410A)	11.8 kg [26 LBS 1 oz]	11.8 kg [26 LBS 1 oz]	11.5 kg [25 LBS 6 oz]	11.8 kg [26 LBS 1 oz]	11.8 kg [26 LBS 1 oz]	11.8 kg [26 LBS 1 oz]
Allowable pressure (Ps)	HP: 4.15 MPa [601 psi], LP: 2.21 MPa [320 psi]					
Net weight	316 kg [697 LBS]	316 kg [697 LBS]	241 kg [532 LBS]	316 kg [697 LBS]	316 kg [697 LBS]	316 kg [697 LBS]

Model	PUHY-P72YKMU-A(-BS)	PUHY-P96YKMU-A(-BS)	PUHY-P120YKMU-A(-BS)	PUHY-P144YKMU-A(-BS)	PUHY-P144YSKMU-A(-BS)		PUHY-P168YSKMU-A(-BS)	
Unit combination	—	—	—	—	PUHY-P72YKMU-A(-BS)	PUHY-P72YKMU-A(-BS)	PUHY-P96YKMU-A(-BS)	PUHY-P72YKMU-A(-BS)
Refrigerant (R410A)	9.0 kg [19 LBS 13 oz]	11.5 kg [25 LBS 6 oz]	11.8 kg [26 LBS 1 oz]	11.8 kg [26 LBS 1 oz]	9.0 kg [19 LBS 13 oz]	9.0 kg [19 LBS 13 oz]	11.5 kg [25 LBS 6 oz]	9.0 kg [19 LBS 13 oz]
Allowable pressure (Ps)	HP: 4.15 MPa [601 psi], LP: 2.21 MPa [320 psi]							
Net weight	210 kg [463 LBS]	253 kg [558 LBS]	329 kg [726 LBS]	329 kg [726 LBS]	210 kg [463 LBS]	210 kg [463 LBS]	253 kg [558 LBS]	210 kg [463 LBS]

Model	PUHY-P192YSKMU-A(-BS)		PUHY-P216YSKMU-A(-BS)		PUHY-P240YSKMU-A(-BS)	
Unit combination	PUHY-P120YKMU-A(-BS)	PUHY-P72YKMU-A(-BS)	PUHY-P120YKMU-A(-BS)	PUHY-P96YKMU-A(-BS)	PUHY-P120YKMU-A(-BS)	PUHY-P120YKMU-A(-BS)
Refrigerant (R410A)	11.8 kg [26 LBS 1 oz]	9.0 kg [19 LBS 13 oz]	11.8 kg [26 LBS 1 oz]	11.5 kg [25 LBS 6 oz]	11.8 kg [26 LBS 1 oz]	11.8 kg [26 LBS 1 oz]
Allowable pressure (Ps)	HP: 4.15 MPa [601 psi], LP: 2.21 MPa [320 psi]					
Net weight	329 kg [726 LBS]	210 kg [463 LBS]	329 kg [726 LBS]	253 kg [558 LBS]	329 kg [726 LBS]	329 kg [726 LBS]

Model	PUHY-P264YSKMU-A(-BS)			PUHY-P288YSKMU-A(-BS)		
Unit combination	PUHY-P120YKMU-A(-BS)	PUHY-P72YKMU-A(-BS)	PUHY-P72YKMU-A(-BS)	PUHY-P120YKMU-A(-BS)	PUHY-P96YKMU-A(-BS)	PUHY-P72YKMU-A(-BS)
Refrigerant (R410A)	11.8 kg [26 LBS 1 oz]	9.0 kg [19 LBS 13 oz]	9.0 kg [19 LBS 13 oz]	11.8 kg [26 LBS 1 oz]	11.5 kg [25 LBS 6 oz]	9.0 kg [19 LBS 13 oz]
Allowable pressure (Ps)	HP: 4.15 MPa [601 psi], LP: 2.21 MPa [320 psi]					
Net weight	329 kg [726 LBS]	210 kg [463 LBS]	210 kg [463 LBS]	329 kg [726 LBS]	253 kg [558 LBS]	210 kg [463 LBS]

Model	PUHY-P312YSKMU-A(-BS)			PUHY-P336YSKMU-A(-BS)		
Unit combination	PUHY-P120YKMU-A(-BS)	PUHY-P120YKMU-A(-BS)	PUHY-P72YKMU-A(-BS)	PUHY-P120YKMU-A(-BS)	PUHY-P120YKMU-A(-BS)	PUHY-P96YKMU-A(-BS)
Refrigerant (R410A)	11.8 kg [26 LBS 1 oz]	11.8 kg [26 LBS 1 oz]	9.0 kg [19 LBS 13 oz]	11.8 kg [26 LBS 1 oz]	11.8 kg [26 LBS 1 oz]	11.5 kg [25 LBS 6 oz]
Allowable pressure (Ps)	HP: 4.15 MPa [601 psi], LP: 2.21 MPa [320 psi]					
Net weight	329 kg [726 LBS]	329 kg [726 LBS]	210 kg [463 LBS]	329 kg [726 LBS]	329 kg [726 LBS]	253 kg [558 LBS]

Model	PUHY-P360YSKMU-A(-BS)		
Unit combination	PUHY-P120YKMU-A(-BS)	PUHY-P120YKMU-A(-BS)	PUHY-P120YKMU-A(-BS)
Refrigerant (R410A)	11.8 kg [26 LBS 1 oz]	11.8 kg [26 LBS 1 oz]	11.8 kg [26 LBS 1 oz]
Allowable pressure (Ps)	HP: 4.15 MPa [601 psi], LP: 2.21 MPa [320 psi]		
Net weight	329 kg [726 LBS]	329 kg [726 LBS]	329 kg [726 LBS]

GB

# Contenu

1. Précautions de sécurité .....	27	10. Charge supplémentaire de frigorigène.....	38
1.1. Avant installation et travaux électriques.....	27	10.1. Calcul de la charge supplémentaire de frigorigène.....	38
1.2. Précautions pour les appareils qui utilisent le frigorigène R410A .....	28	10.2. Précautions concernant les connexions de la tuyauterie et le fonctionnement de la valve .....	39
1.3. Avant l'installation.....	28	10.3. Test d'étanchéité, évacuation et chargement de frigorigène....	41
1.4. Avant l'installation (déménagement) - travaux électriques.....	28	10.4. Isolation thermique de la tuyauterie du frigorigène .....	42
1.5. Avant de commencer l'essai .....	29	11. Câblage (pour les détails, reportez-vous au manuel d'installation de chaque unité intérieure/extérieure et du contrôleur) .....	43
2. À propos du produit.....	29	11.1. Mise en garde .....	43
3. Combinaison d'unités extérieures.....	29	11.2. Boîtier de commande et emplacement pour le raccordement des câbles .....	43
4. Spécifications.....	30	11.3. Raccordement des câbles de transmission .....	45
5. Liste des pièces incluses .....	30	11.4. Câblage de l'alimentation principale et capacité des équipements.....	48
6. Espace requis pour installer et utiliser l'unité .....	31	12. Essai de fonctionnement.....	50
7. Transport de l'unité .....	33	12.1. Fonctionnement type d'une unité .....	50
8. Installation de l'unité .....	33	12.2. Réglage des fonctions de l'unité extérieure .....	51
8.1. Installation .....	33	13. Informations de la plaque signalétique .....	52
9. Installation de la tuyauterie du frigorigène .....	34		
9.1. Mise en garde .....	34		
9.2. Système de tuyauterie du frigorigène .....	35		

## 1. Précautions de sécurité

### 1.1. Avant installation et travaux électriques

- ▶ **Avant d'installer l'unité, ne manquez pas de lire toutes les "Précautions de sécurité".**
- ▶ **Les "Précautions de sécurité" fournissent des points très importants concernant la sécurité. Ne manquez pas de les observer.**

#### Symboles utilisés dans le texte

##### **Avertissement :**

Décrit les précautions qui doivent être prises pour éviter les risques de blessure ou de mort de l'utilisateur.


##### **Attention :**


Décrit les précautions qui doivent être prises pour éviter d'endommager l'unité.

#### Symboles utilisés dans les illustrations

 : Indique une action qui doit être évitée.

 : Indique que des instructions importantes doivent être observées.

 : Indique une pièce qui doit être mise à la terre.

 : Attention au choc électrique. (Ce symbole est affiché sur l'étiquette de l'unité principale.) <Couleur : jaune>

-  **Avertissement :**  
**Lisez soigneusement les étiquettes apposées sur l'unité extérieure.**

#### **AVERTISSEMENT DE HAUTE TENSION :**

- Le boîtier de commande abrite des pièces à haute tension.
- En ouvrant ou en fermant le panneau avant du boîtier de commande, ne le laissez pas venir en contact avec des composants internes.
- Avant d'inspecter l'intérieur de la boîte de commande, coupez le courant, laissez l'unité hors circuit pendant au moins 10 minutes, et confirmez que la tension du condensateur (circuit principal de l'inverseur) chuté à 20 Vcc ou moins.  
(La décharge de l'électricité prend environ 10 minutes après la coupure du courant.)
- Le boîtier de commande contient des pièces soumises à des températures élevées. Soyez prudent, même après la mise hors tension de l'alimentation.
- Procédez à l'entretien après la déconnexion du connecteur du panneau du ventilateur (CNINV) et du connecteur du panneau de l'inverseur (CN1 ou CNFAN).  
(Pour brancher ou débrancher les connecteurs, vérifiez que le ventilateur de l'unité extérieure ne tourne pas et que la tension du condensateur du circuit principal est de 20 Vcc ou moins. Le condensateur peut collecter une charge et entraîner un choc électrique lorsque le ventilateur de l'unité extérieure fonctionne par temps venteux. Consultez la plaque signalétique du câblage pour plus de détails.
- Pour connecter le câblage à TB7, vérifiez que la tension est de 20 Vcc ou moins.
- Reconnectez le connecteur (CNINV) au panneau du ventilateur et le connecteur (CN1 ou CNFAN) du panneau de l'inverseur après l'entretien.

##### **Avertissement :**

- Utilisez uniquement un réfrigérant de type indiqué dans les manuels fournis avec l'unité et sur la plaque signalétique.
  - Faute de quoi, l'unité ou la tuyauterie pourrait éclater, ou cela pourrait provoquer une explosion ou un incendie pendant l'utilisation, la réparation

ou la mise au rebut de l'unité.

- Cela pourrait également constituer une violation des lois applicables.
- MITSUBISHI ELECTRIC CORPORATION ne peut être tenue responsable de tout dysfonctionnement ou accident résultant de l'utilisation du mauvais type de réfrigérant.
- **Demandez au distributeur ou à un technicien autorisé d'installer le climatiseur.**
  - Une installation incorrecte par l'utilisateur peut avoir comme conséquence une fuite d'eau, un choc électrique ou un incendie.
- **Installez l'unité à un endroit qui peut soutenir son poids.**
  - Si ce n'est pas pris en compte, l'unité peut tomber et blesser quelqu'un ou être endommagée.
- **Utilisez les câbles spécifiés pour le câblage. Faites des branchements solides de sorte que la force extérieure du câble ne soit pas appliquée aux bornes.**
  - Un branchement et une fixation inadéquats peuvent s'échauffer et causer un incendie.
- **Soyez préparés en cas de vents forts et de tremblements de terre et installez l'unité à la place indiquée.**
  - Une installation incorrecte peut faire renverser l'unité et provoquer des blessures ou endommager l'unité.
- **Utilisez toujours les filtres et autres accessoires spécifiés par Mitsubishi Electric.**
  - Demandez à un technicien autorisé d'installer les accessoires. Une installation incorrecte par l'utilisateur peut avoir comme conséquence une fuite d'eau, un choc électrique ou un incendie.
- **N'essayez pas de réparer l'unité si vous ne disposez pas des compétences appropriées. Si le climatiseur doit être réparé, contactez votre revendeur, votre sous-traitant ou un ingénieur frigoriste.**
  - Une réparation incorrecte par l'utilisateur peut avoir comme conséquence une fuite d'eau, un choc électrique ou un incendie.
- **Ne touchez pas aux ailettes de l'échangeur de chaleur.**
  - Une manutention inappropriée peut avoir comme conséquence des blessures.
- **En cas de fuite de gaz frigorigène pendant l'installation, aérez la pièce.**
  - Si le gaz frigorigène vient en contact avec une flamme, des gaz toxiques se dégagent.
- **Installez le climatiseur conformément à ce Manuel d'installation.**
  - Une installation incorrecte peut avoir comme conséquence une fuite d'eau, un choc électrique ou un incendie.
- **Faites effectuer tous les travaux électriques par un électricien licencié selon les "Normes techniques des installations électriques", les "Règlementation sur le câblage dans chaque zone géographique", et utilisez toujours une alimentation dédiée.**
  - Si la source d'énergie est inadéquate ou les travaux électriques sont exécutés incorrectement, un risque de choc électrique et d'incendie peut en résulter.
- **Installez sécuritairement le capot des bornes de l'unité extérieure (panneau).**
  - Si le capot des bornes (panneau) n'est pas installé correctement, la poussière ou l'eau peut pénétrer dans l'unité extérieure et un incendie ou un choc électrique peut en résulter.
- **En installant et en déplaçant le climatiseur vers un autre site, ne le chargez pas avec un frigorigène différent de celui qui est spécifié sur l'unité.**
  - Si un autre frigorigène ou de l'air est mélangé au frigorigène original, le cycle frigorifique peut mal fonctionner et l'unité peut être endommagée.
- **Si le climatiseur est installé dans une petite pièce, des mesures doivent être prises pour empêcher la concentration en frigorigène de dépasser la limite de sécurité en cas de fuite de frigorigène.**
  - Consultez le distributeur au sujet des mesures appropriées pour empêcher la limite de sécurité d'être excédée. En cas de fuite de frigorigène et de dépassement de la limite de sécurité, les risques dus au manque d'oxygène dans la pièce peuvent exister.
- **Pour démanteler et réinstaller le climatiseur, consultez le distributeur ou un technicien autorisé.**

- Une installation incorrecte du climatiseur peut avoir comme conséquence une fuite d'eau, un choc électrique ou un incendie.
- **Après avoir terminé les travaux d'installation, vérifiez que le gaz frigorigène ne fuit pas.**
  - Si le gaz frigorigène fuit et est exposé à un radiateur-ventilateur, cuisinière, four ou toute autre source de chaleur, des gaz nocifs peuvent se produire.
- **Ne reconstruisez pas ou ne changez pas les configurations des dispositifs de protection.**
  - Si le pressostat, le rupteur thermique, ou autre dispositif de protection est court-circuité ou forcé, ou si des pièces autres que celles spécifiées par Mitsubishi Electric sont utilisées, un incendie ou une explosion peut en résulter.
- **Pour éliminer ce produit, consultez votre distributeur.**
- **L'installateur et le spécialiste système assureront la sécurité contre les fuites conformément aux normes et règlements locaux.**
  - Choisissez un câble de taille appropriée et respectez les capacités du commutateur d'alimentation tel qu'indiqué dans ce manuel si la réglementation locale n'est pas disponible.
- **Faites particulièrement attention au lieu de l'installation, telle qu'un sous-sol, etc. où le gaz frigorigène peut s'accumuler étant donné qu'il est plus lourd que l'air.**
- **Pour les unités extérieures qui permettent l'admission d'air extérieur dans l'unité intérieure, le site d'installation doit être soigneusement choisi pour permettre uniquement à l'air sain de pénétrer dans la pièce.**
  - L'exposition directe à l'air extérieur peut avoir des effets nocifs sur les personnes ou la nourriture.

## 1.2. Précautions pour les appareils qui utilisent le frigorigène R410A

### ⚠ Attention :

- **N'utilisez pas la tuyauterie de frigorigène existante.**
  - L'ancien frigorigène et l'huile réfrigérante présents dans la tuyauterie existante contiennent une grande quantité de chlore qui peut détériorer l'huile réfrigérante de la nouvelle unité.
  - R410A est un frigorigène à haute pression qui peut faire éclater la tuyauterie existante.
- **Utilisez une tuyauterie de frigorigène en cuivre désoxydé au phosphore et des tuyaux et tubulures en alliage de cuivre sans soudure. En outre, assurez-vous que les surfaces intérieures et extérieures des tuyaux sont propres et dépourvues de soufre, d'oxydes, de poussières/saletés, de particules de rasage, d'huile, d'humidité, ou de n'importe quel autre contaminant dangereux.**
  - Les contaminants à l'intérieur de la tuyauterie du frigorigène peuvent détériorer l'huile du frigorigène.
- **Entreposez à l'intérieur la tuyauterie à utiliser pour l'installation et gardez scellées les deux extrémités de la tuyauterie jusqu'au moment du brasage. (Stockez les coudes et autres raccords dans un sac en plastique.)**
  - Si de la poussière, des saletés ou de l'eau pénètrent dans le cycle du frigorigène, il peut en résulter une détérioration de l'huile et une défaillance du compresseur.
- **Appliquez seulement une petite quantité d'huile d'ester, huile d'éther ou alkylbenzène aux connexions évacuées (pour l'unité d'intérieur).**
  - L'infiltration d'une grande quantité d'huile minérale peut détériorer l'huile réfrigérante.
- **Utilisez un frigorigène liquide pour remplir le système.**
  - Si un gaz frigorigène est utilisé pour remplir le système, la composition du frigorigène dans le cylindre change et la performance peut chuter.
- **N'utilisez pas de frigorigène autre que le R410A.**
  - Si un autre frigorigène (R22, etc.) est mélangé au R410A, le chlore dans le frigorigène peut détériorer l'huile réfrigérante.
- **Utilisez une pompe à vide avec clapet anti-retour de flux inverse.**
  - L'huile de la pompe à vide peut refluer dans le cycle frigorifique et détériorer l'huile réfrigérante.
- **N'utilisez pas les outils suivants qui sont utilisés avec les frigorigènes conventionnels.** (Manomètre de pression, tuyau flexible de charge, détecteur de fuite de gaz, clapet anti-retour de flux inverse, base de charge du frigorigène, équipement de récupération du frigorigène)
  - Si un frigorigène conventionnel et de l'huile frigorigène sont mélangés dans le R410A, il peut en résulter une détérioration du frigorigène.
  - Si de l'eau est mélangée au R410A, l'huile réfrigérante peut être détériorée.
  - Puisque le R410A ne contient aucun chlore, les détecteurs de fuite de gaz pour les frigorigènes conventionnels ne réagissent pas.
- **N'utilisez pas de cylindre de chargement.**
  - Utiliser un cylindre de chargement peut détériorer le frigorigène.
- **Faites particulièrement attention en manipulant les outils.**
  - Si de la poussière, des saletés ou de l'eau pénètre dans le cycle frigorifique, le frigorigène peut se détériorer.

## 1.3. Avant l'installation

### ⚠ Attention :

- **N'installez pas l'unité là où un gaz combustible peut fuir.**
  - Si le gaz fuit et s'accumule autour de l'unité, une explosion peut se produire.
- **N'utilisez pas le climatiseur là où se trouve de la nourriture, des animaux domestiques, des plantes, des instruments de précision ou des objets d'art.**
  - La qualité de la nourriture, etc. peut se détériorer.

- **N'utilisez pas le climatiseur dans des environnements spéciaux.**
  - L'huile, la vapeur, la fumée sulfurique, etc. peuvent réduire de manière significative la performance du climatiseur ou endommager ses pièces.
- **En installant l'unité dans un hôpital, un centre de transmission ou site semblable, assurez une protection suffisante contre le bruit.**
  - Les convertisseurs, les générateurs privés d'alimentation électrique, les équipements médicaux à haute fréquence ou les équipements de radiocommunication peuvent provoquer le dysfonctionnement du climatiseur, ou l'empêcher de fonctionner. D'un autre côté, le climatiseur peut affecter le fonctionnement de ces équipements en raison du bruit qui gêne le traitement médical ou la transmission d'images.
- **N'installez pas l'unité sur un support que l'eau peut endommager.**
  - Quand l'humidité de la pièce excède 80% ou lorsque le drain est obstrué, la condensation peut s'égoutter d'une unité d'intérieur. Exécutez un travail de drainage collectif avec l'unité extérieure, selon besoins.

## 1.4. Avant l'installation (déménagement) - travaux électriques

### ⚠ Attention :

- **Mettez l'unité à la terre.**
  - Ne connectez pas le fil de terre aux conduites de gaz ou d'eau, aux paratonnerres, ou aux lignes de terre du téléphone. Une mise à la terre incorrecte peut avoir comme conséquence un choc électrique.
- **Installez le câble d'alimentation de sorte que la tension ne soit pas appliquée au câble.**
  - La tension peut fracturer le câble, produire un échauffement et causer un incendie.
- **Installez un disjoncteur de fuite pour inverseur, au besoin.**
  - Si un disjoncteur de fuite n'est pas installé, un choc électrique peut en résulter.
- **Utilisez des câbles d'alimentation ayant une capacité de charge et une valeur nominale suffisantes.**
  - Les câbles qui sont trop petits peuvent fuir, s'échauffer, et provoquer un incendie.
- **Utilisez seulement un disjoncteur et un fusible de la capacité spécifiée.**
  - Un fusible ou un disjoncteur d'une plus grande capacité, ou utiliser à la place un simple fil d'acier ou de cuivre peuvent avoir comme conséquence une défaillance générale de l'unité ou un incendie.
- **Si un courant électrique important circule suite à un câblage défectueux ou erroné, les relais de courants de fugue sur le côté de l'unité et en aval du système d'alimentation peuvent s'activer. En fonction de l'importance du système, séparez le système d'alimentation ou coordonnez les disjoncteurs pour garantir la protection du système.**
- **Ne touchez pas les composants électriques à mains nues lorsque l'unité est en fonctionnement ou immédiatement après son fonctionnement.**
  - Vous pourriez vous brûler.
- **Ne lavez pas le climatiseur.**
  - Le lavage peut causer une décharge électrique.
- **Assurez-vous que la base d'installation n'a pas été endommagée par suite d'un usage prolongé.**
  - Si les dommages ne sont pas réparés, l'unité peut tomber et causer des blessures ou des dégâts matériels.
- **Installez la tuyauterie de drainage conformément à ce Manuel d'installation pour assurer un drainage approprié. Enveloppez les tubes d'isolation thermique pour empêcher la condensation.**
  - Une tuyauterie de drainage inappropriée peut causer une fuite d'eau et endommager le mobilier et autres objets.
- **Faites très attention lors du transport du produit.**
  - Le produit ne doit pas être porté par une seule personne. Son poids excède 20 kg [45LBS].
  - Certains produits utilisent des bandes PP pour l'emballage. N'utilisez pas de bande PP en tant que moyen de transport. C'est dangereux.
  - Ne touchez pas aux ailettes de l'échangeur de chaleur. Vous pourriez couper vos doigts.
  - Pour transporter l'unité extérieure, supportez-la aux positions indiquées sur la base. Supportez également l'unité extérieure sur quatre points de sorte qu'elle ne puisse pas glisser de côté.
- **Éliminez sécuritairement les matériaux d'emballage.**
  - Les matériaux d'emballage, tels que des clous et autres pièces en métal ou en bois, peuvent causer des blessures.
  - Déchirez et jetez les sacs d'emballage en plastique de sorte que les enfants ne jouent pas avec. Si des enfants jouent avec un sac en plastique qui n'a pas été déchiré, ils risquent de suffoquer.
- **Si l'alimentation est activée, le compresseur est sous tension même si l'unité ne fonctionne pas.**
  - Avant de mettre le système sous tension, débranchez tous les câbles d'alimentation du bornier du compresseur et mesurez la résistance d'isolation du compresseur.
  - Vérifiez que le compresseur est correctement mis à la terre. Si la résistance d'isolation ne dépasse pas 1,0 MΩ, connectez tous les câbles d'alimentation au compresseur et mettez l'unité extérieure sous tension. (Le frigorigène liquide du compresseur s'évapore lorsque le compresseur est alimenté.)

## 1.5. Avant de commencer l'essai

### ⚠ Attention :

- **Mettez sous tension pendant au moins 12 heures avant de mettre en route.**
  - Mettre en route immédiatement après la mise sous tension peut causer des dommages irréversibles aux pièces internes. Laissez l'interrupteur de courant en position sous tension pendant la saison d'exploitation. Vérifiez l'ordre de phase de l'alimentation et la tension entre chaque phase.
- **Ne touchez pas les interrupteurs avec des doigts mouillés.**
  - Toucher un interrupteur avec les doigts mouillés peut entraîner un choc électrique.
- **Ne touchez pas les tubes de frigorigène pendant et immédiatement après le fonctionnement.**
  - Pendant et juste après le fonctionnement, les tubes de frigorigène peuvent être chauds ou froids, selon l'état du frigorigène s'écoulant dans la tuyauterie, le compresseur et autres pièces du cycle frigorifique. Vos mains peuvent subir des brûlures ou gelures si vous touchez les tubes de frigorigène.

- **Ne faites pas fonctionner le climatiseur avec les panneaux et protections retirés.**
  - Les pièces rotatives, chaudes, ou sous haute tension peuvent causer des blessures.
- **Ne coupez pas le courant immédiatement après avoir arrêté le fonctionnement.**
  - Attendez toujours au moins 5 minutes avant de couper le courant. Autrement, une fuite de l'eau de drainage ou une défaillance mécanique des pièces sensibles pourrait se produire.
- **Ne touchez pas la surface du compresseur pendant l'entretien.**
  - Si l'appareil est connecté à une alimentation et n'est pas en marche, le chauffage à carter situé à la base du compresseur peut encore fonctionner.

## 2. À propos du produit

- Cette unité utilise le frigorigène de type R410A.
- Pour les systèmes utilisant le R410A, la tuyauterie peut être différente de celle des systèmes utilisant un frigorigène conventionnel parce que les systèmes utilisant le R410A sont conçus pour fonctionner à des pressions plus élevées. Reportez-vous au Livre de données pour plus d'information.
- Certains outils et équipements utilisés pour l'installation de systèmes fonctionnant avec d'autres types de frigorigènes ne peuvent pas être utilisés pour les systèmes fonctionnant avec le R410A. Reportez-vous au Livre de données pour plus d'information.
- N'utilisez pas la tuyauterie existante, car elle contient du chlore, qui est présent dans l'huile et le frigorigène de machines conventionnelles de frigorigéation. Ce chlore détériore l'huile réfrigérante de machine dans le nouvel équipement. La tuyauterie existante ne doit pas être utilisée car la pression de conception dans les systèmes utilisant le R410A est plus élevée que celle des systèmes utilisant d'autres types de frigorigène et les tuyaux existants peuvent éclater.

## 3. Combinaison d'unités extérieures

Les composants de PUHY-P168 à P360 sont listés ci-dessous.

Modèle extérieur	Modèles de composants		
PUHY-P72TKMU-A(-BS)	-	-	-
PUHY-P96TKMU-A(-BS)	-	-	-
PUHY-P120TKMU-A(-BS)	-	-	-
PUHY-P144TKMU-A(-BS)	-	-	-
PUHY-P168TSKMU-A(-BS)	PUHY-P96TKMU-A(-BS)	PUHY-P72TKMU-A(-BS)	-
PUHY-P192TSKMU-A(-BS)	PUHY-P120TKMU-A(-BS)	PUHY-P72TKMU-A(-BS)	-
PUHY-P216TSKMU-A(-BS)	PUHY-P120TKMU-A(-BS)	PUHY-P96TKMU-A(-BS)	-
PUHY-P240TSKMU-A(-BS)	PUHY-P120TKMU-A(-BS)	PUHY-P120TKMU-A(-BS)	-
PUHY-P264TSKMU-A(-BS)	PUHY-P120TKMU-A(-BS)	PUHY-P72TKMU-A(-BS)	PUHY-P72TKMU-A(-BS)
PUHY-P288TSKMU-A(-BS)	PUHY-P120TKMU-A(-BS)	PUHY-P96TKMU-A(-BS)	PUHY-P72TKMU-A(-BS)
PUHY-P312TSKMU-A(-BS)	PUHY-P120TKMU-A(-BS)	PUHY-P120TKMU-A(-BS)	PUHY-P72TKMU-A(-BS)
PUHY-P336TSKMU-A(-BS)	PUHY-P120TKMU-A(-BS)	PUHY-P120TKMU-A(-BS)	PUHY-P96TKMU-A(-BS)
PUHY-P360TSKMU-A(-BS)	PUHY-P120TKMU-A(-BS)	PUHY-P120TKMU-A(-BS)	PUHY-P120TKMU-A(-BS)

\* Un "Kit de Jumelage" est requis pour les unités extérieures PUHY-P168 à P360TSKMU-A(-BS) afin de connecter les modules des composants sur site.

Modèle extérieur	Modèles de composants		
PUHY-P72YKMU-A(-BS)	-	-	-
PUHY-P96YKMU-A(-BS)	-	-	-
PUHY-P120YKMU-A(-BS)	-	-	-
PUHY-P144YKMU-A(-BS)	-	-	-
PUHY-P144YSKMU-A(-BS)	PUHY-P72YKMU-A(-BS)	PUHY-P72YKMU-A(-BS)	-
PUHY-P168YSKMU-A(-BS)	PUHY-P96YKMU-A(-BS)	PUHY-P72YKMU-A(-BS)	-
PUHY-P192YSKMU-A(-BS)	PUHY-P120YKMU-A(-BS)	PUHY-P72YKMU-A(-BS)	-
PUHY-P216YSKMU-A(-BS)	PUHY-P120YKMU-A(-BS)	PUHY-P96YKMU-A(-BS)	-
PUHY-P240YSKMU-A(-BS)	PUHY-P120YKMU-A(-BS)	PUHY-P120YKMU-A(-BS)	-
PUHY-P264YSKMU-A(-BS)	PUHY-P120YKMU-A(-BS)	PUHY-P72YKMU-A(-BS)	PUHY-P72YKMU-A(-BS)
PUHY-P288YSKMU-A(-BS)	PUHY-P120YKMU-A(-BS)	PUHY-P96YKMU-A(-BS)	PUHY-P72YKMU-A(-BS)
PUHY-P312YSKMU-A(-BS)	PUHY-P120YKMU-A(-BS)	PUHY-P120YKMU-A(-BS)	PUHY-P72YKMU-A(-BS)
PUHY-P336YSKMU-A(-BS)	PUHY-P120YKMU-A(-BS)	PUHY-P120YKMU-A(-BS)	PUHY-P96YKMU-A(-BS)
PUHY-P360YSKMU-A(-BS)	PUHY-P120YKMU-A(-BS)	PUHY-P120YKMU-A(-BS)	PUHY-P120YKMU-A(-BS)

\* Un "Kit de Jumelage" est requis pour les unités extérieures PUHY-P144 à P360YSKMU-A(-BS) afin de connecter les modules des composants sur site.

## 4. Spécifications

Modèle	PUHY-P72TKMU-A(-BS)	PUHY-P96TKMU-A(-BS)	PUHY-P120TKMU-A(-BS)	PUHY-P144TKMU-A(-BS)	-	PUHY-P168TKMU-A(-BS)	PUHY-P192TKMU-A(-BS)	PUHY-P216TKMU-A(-BS)
	PUHY-P72YKMU-A(-BS)	PUHY-P96YKMU-A(-BS)	PUHY-P120YKMU-A(-BS)	PUHY-P144YKMU-A(-BS)	PUHY-P144YSKMU-A(-BS)	PUHY-P168YSKMU-A(-BS)	PUHY-P192YSKMU-A(-BS)	PUHY-P216YSKMU-A(-BS)
Niveau de bruit (60 Hz)	58dB<A>	58dB<A>	60dB<A>	61dB<A>	61dB<A>	61dB<A>	62,5dB<A>	62,5dB<A>
Pression statique externe	0 Pa <sup>2</sup>							
Unités d'intérieur	Capacité totale	50 ~ 130% <sup>*1</sup>						
	Modèle	06 ~ 96						
	Quantité	1 ~ 15	1 ~ 20	1 ~ 26	1 ~ 31	1 ~ 36	1 ~ 41	2 ~ 46
Température de fonctionnement	Type standard	Mode de refroidissement : - 5°CDB ~ 46°CDB [23°FDB ~ 115°FDB] Mode de chauffage : - 20°CWB ~ 15,5°CWB [- 4°FWB ~ 60°FWB]						
	Type d'admission d'air extérieur	Mode de refroidissement : 21°CDB/15,5°CWB ~ 46°CDB/35°CWB (70°FDB/60°FWB ~ 115°FDB/95°FWB)						
		Mode de chauffage : - 10°CDB ~ 20°CDB [14°FDB ~ 68°FDB]						

Modèle	PUHY-P240TKMU-A(-BS)	PUHY-P264TKMU-A(-BS)	PUHY-P288TKMU-A(-BS)	PUHY-P312TKMU-A(-BS)	PUHY-P336TKMU-A(-BS)	PUHY-P360TKMU-A(-BS)
	PUHY-P240YSKMU-A(-BS)	PUHY-P264YSKMU-A(-BS)	PUHY-P288YSKMU-A(-BS)	PUHY-P312YSKMU-A(-BS)	PUHY-P336YSKMU-A(-BS)	PUHY-P360YSKMU-A(-BS)
Niveau de bruit (60 Hz)	63dB<A>	63,5dB<A>	64dB<A>	64,5dB<A>	64,5dB<A>	65dB<A>
Pression statique externe	0 Pa <sup>2</sup>					
Unités d'intérieur	Capacité totale	50 ~ 130% <sup>*1</sup>				
	Modèle	06 ~ 96				
	Quantité	2 ~ 50	2 ~ 50	2 ~ 50	2 ~ 50	2 ~ 50
Température de fonctionnement	Type standard	Mode de refroidissement : - 5°CDB ~ 46°CDB [23°FDB ~ 115°FDB] Mode de chauffage : - 20°CWB ~ 15,5°CWB [- 4°FWB ~ 60°FWB]				
	Type d'admission d'air extérieur	Mode de refroidissement : 21°CDB/15,5°CWB ~ 46°CDB/35°CWB (70°FDB/60°FWB ~ 115°FDB/95°FWB)				
		Mode de chauffage : - 10°CDB ~ 20°CDB [14°FDB ~ 68°FDB]				

\*1 : La capacité totale d'intérieur d'unités fonctionnant simultanément est au plus de 130 %.

\*2 : Pour permettre une pression statique élevée, réglez le DipSW sur le panneau principal comme suit.  
SW6-4 : ON, SW6-5 60 Pa compatible : OFF, 30 Pa compatible : ON

## 5. Liste des pièces incluses

		Adaptateur <Raccord anti-retour>	Bande
Modèle	P72	2pcs.	2pcs.
	P96	2pcs.	2pcs.
	P120	2pcs.	2pcs.
	P144	2pcs.	2pcs.

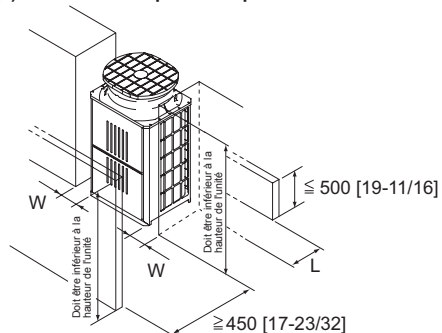
## 6. Espace requis pour installer et utiliser l'unité

### ① En cas d'installation simple

- Laissez assez d'espace autour de l'unité comme illustré sur la figure ci-après.
- Si la hauteur du mur dépasse la hauteur limite, élargissez l'espace "L" et "W" de la valeur supérieure à la limite (<math>h</math> sur l'illustration).

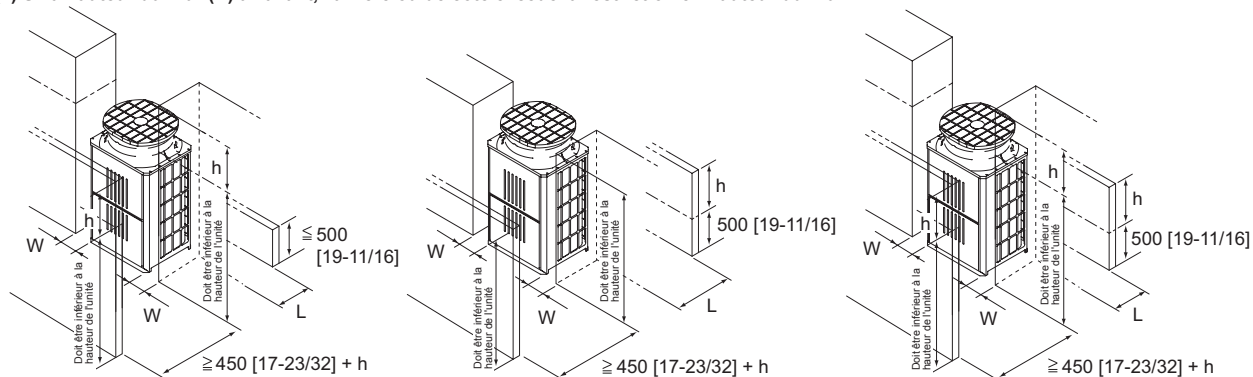
[Fig. 6.0.1]

(1) Les murs sont plus bas que la hauteur limite.



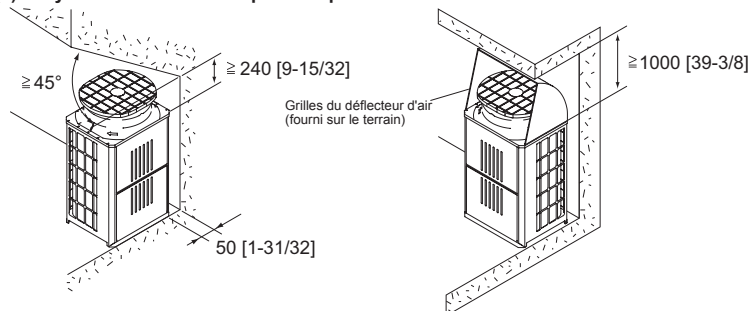
Condition	L	W
Espace minimum derrière l'unité	≥ 100 [3-15/16]	≥ 50 [1-31/32]
Espace minimum de chaque côté de l'unité	≥ 300 [11-13/16]	≥ 15 [19/32]

(2) Si la hauteur du mur (H) à l'avant, l'arrière ou de côté excède la restriction en hauteur du mur



Condition	L	W
Espace minimum derrière l'unité	≥ 100 [3-15/16] + h	≥ 50 [1-31/32] + h
Espace minimum de chaque côté de l'unité	≥ 300 [11-13/16] + h	≥ 15 [19/32] + h

(3) S'il y a des obstacles à la partie supérieure de l'unité



(Unité : mm [in])

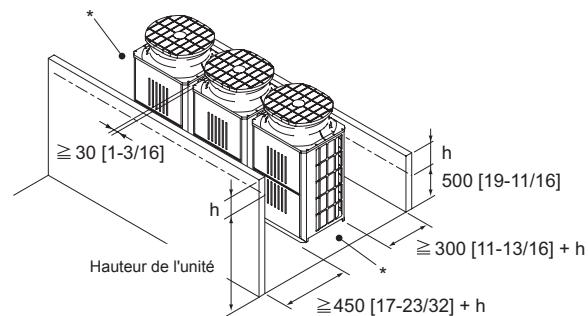
② En cas d'installation collective et d'installation continue

- Lorsque plusieurs unités sont installées de manière adjacente, laissez assez d'espace pour permettre la circulation de l'air et des passages entre les groupes d'unités, comme illustré sur les figures.  
\* Laissez chaque côté de chaque groupe d'unités ouvert.
- Comme pour une installation unique, si la hauteur du mur dépasse la hauteur limite, élargissez l'espace devant et derrière le groupe d'unités donné de la valeur supérieure à la limite (<math>h</math> sur l'illustration).
- S'il y a un mur devant et derrière l'unité, installez jusqu'à six unités (trois unités : P120, 144) l'une à côté de l'autre sur la longueur et fournissez un espace d'au moins 1 000 mm pour permettre le passage et l'accès aux six unités (trois unités : P120, 144).

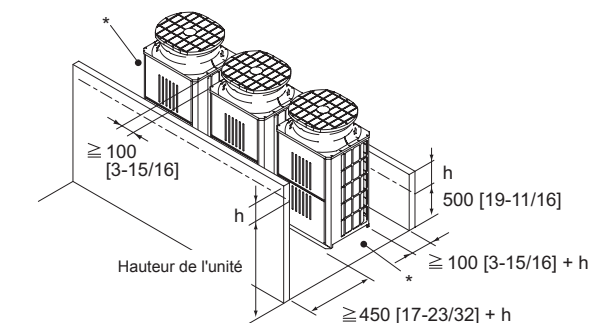
[Fig. 6.0.2]

(1) Installation côte à côte

<L'espace de chaque côté d'un groupe d'unités est minimal.>

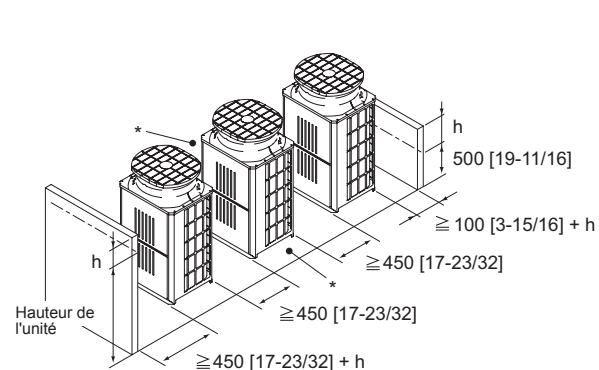


<L'espace de chaque côté d'un groupe d'unités est minimal.>

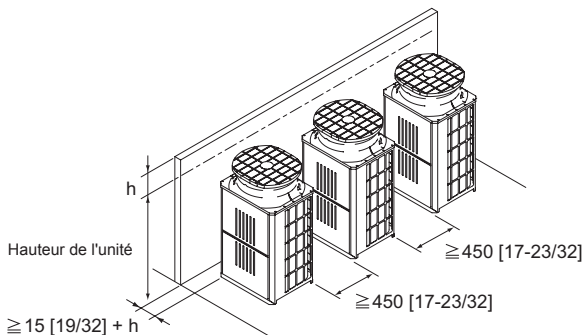


(2) Installation face à face

<Il y a un mur devant et derrière chaque groupe d'unités.>

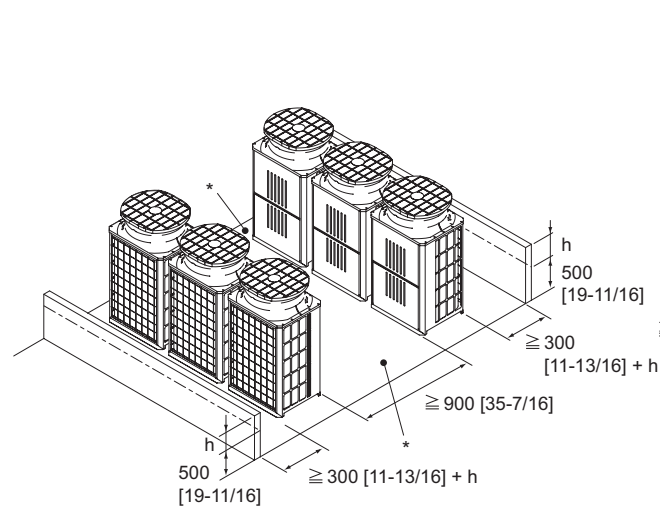


<Il y a un mur d'un côté.>

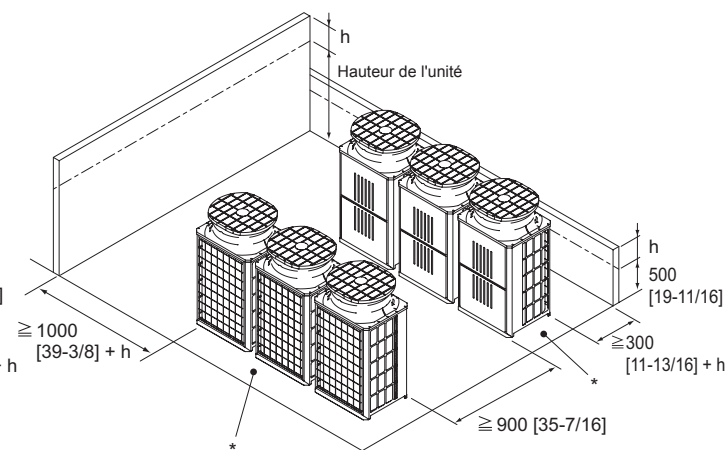


(3) Installations cote à cote et face à face combinées

<Il y a un mur devant et derrière chaque groupe d'unités.>



<Il y a un mur d'un côté et soit devant soit au fond d'un groupe d'unités donné.>



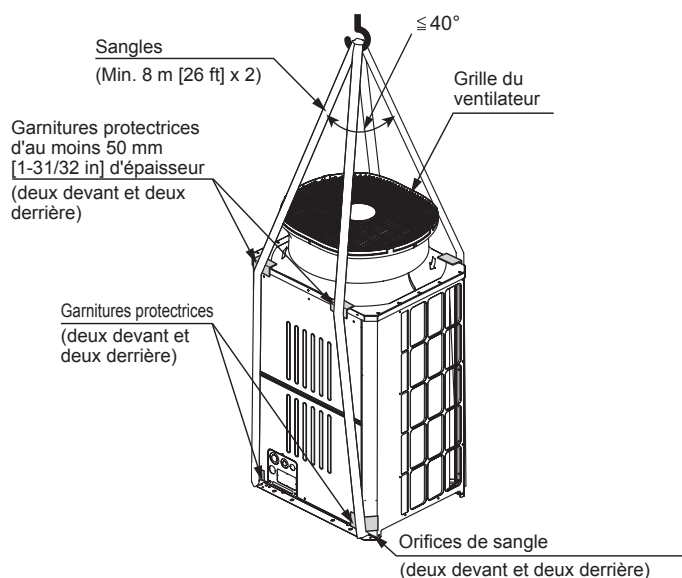
(Unité : mm [in])



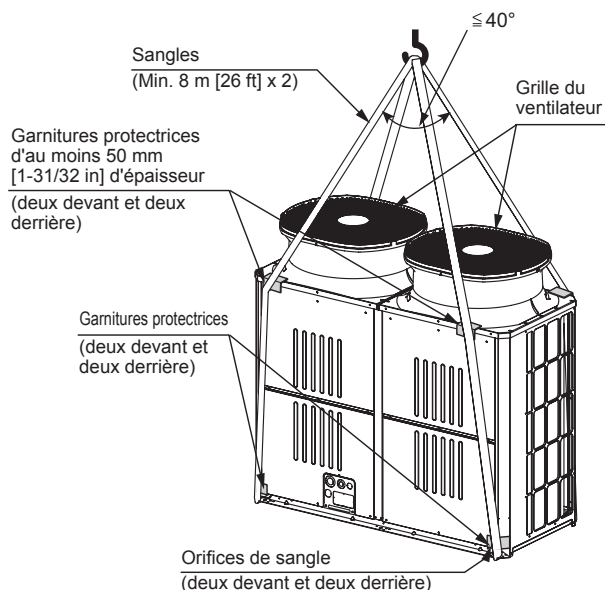
## 7. Transport de l'unité

[Fig. 7.0.1]

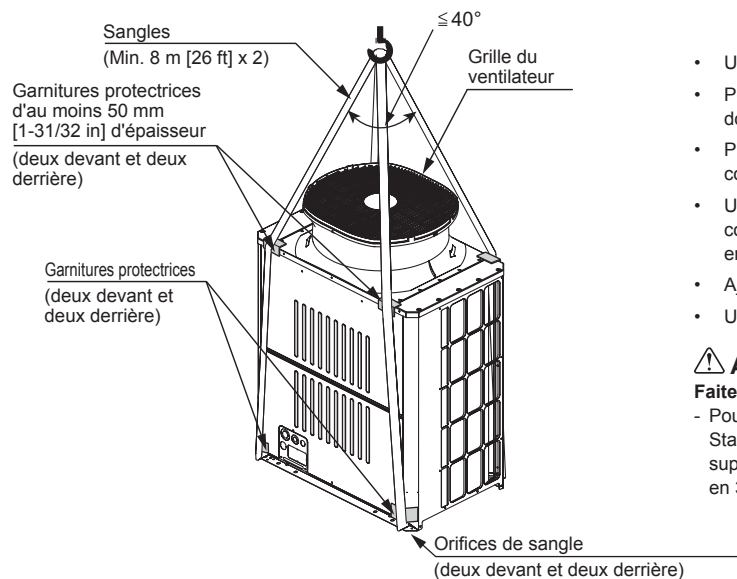
① P72



③ P120, P144



② P96



- Utilisez des cordes de suspension qui résistent au poids de l'appareil.
- Pour déménager l'unité, utilisez une **suspension en 4 points**, et évitez de donner des chocs à l'unité (n'utilisez pas de **suspension en 2 points**).
- Placez des garnitures protectrices sur l'unité aux points de contact avec les cordes pour éviter de la rayer.
- Utilisez du carton ou un chiffon d'au moins 50 mm [1-31/32 in] d'épaisseur comme garniture protectrice en haut de l'unité pour empêcher tout contact entre la grille du ventilateur et les sangles.
- Ajustez l'angle des câbles à pas plus de 40°.
- Utilisez 2 cordes qui sont chacune de longueur supérieure à 8 m [26 ft].

### ⚠ Attention :

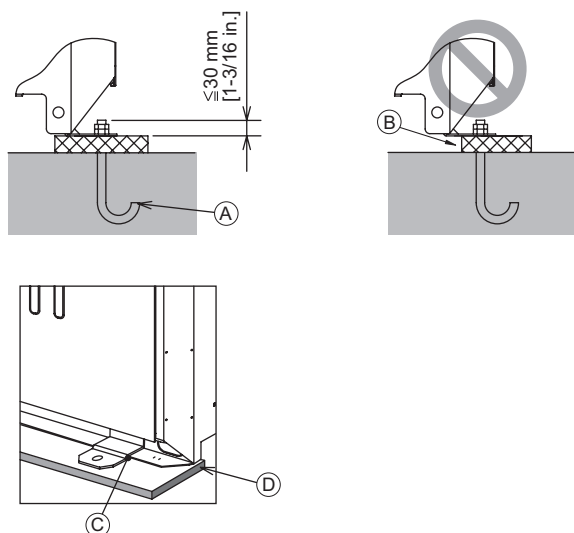
#### Faites très attention en portant/déménageant le produit.

- Pour installer l'unité extérieure, suspendez-la aux points spécifiés sur la base. Stabilisez l'appareil selon besoins de sorte qu'il ne glisse pas sur le côté et supportez-le en 4 points. Si l'unité est installée ou suspendue avec un support en 3 points, elle peut devenir instable et tomber.

## 8. Installation de l'unité

### 8.1. Installation

[Fig. 8.1.1]

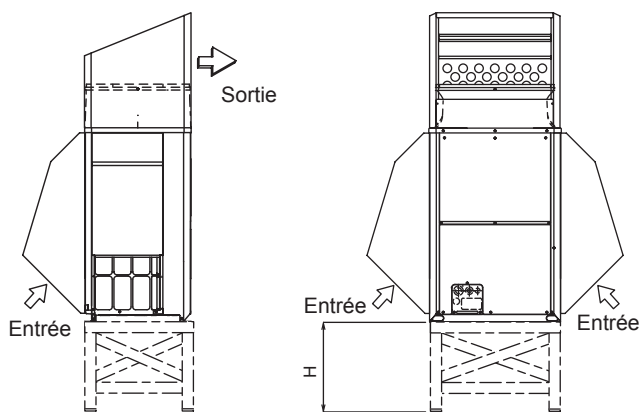


- Ⓐ Boulon d'ancrage M10 fourni sur le terrain    Ⓑ Le coin n'est pas logé.
- Ⓒ Support de fixation pour le boulon d'ancrage dans le trou (3 emplacements à attacher avec des vis).
- Ⓓ Caoutchouc anti-vibration

Installez-le de sorte que le caoutchouc recouvre toute la largeur du pied de l'unité.

- Attachez l'unité avec des boulons de sorte qu'elle ne tombe pas en raison de tremblements de terre ou de vents forts.
- Utilisez du support en béton ou une cornière d'assemblage comme fondation de l'unité.
- Des vibrations peuvent être transmises à la section d'installation et bruit et vibration peuvent être produits par le plancher et les murs, selon les conditions d'installation. Fournissez par conséquent une protection suffisante contre les vibrations (coussinets, cadre de coussin, etc.).
- Construisez les fondations de sorte que le coin du pied d'installation soit correctement supporté comme illustré sur la figure. (Fig. 8.1.1) Si vous utilisez un coussinet d'isolation en caoutchouc, vérifiez qu'il est suffisamment large pour couvrir toute la largeur de chaque pied de l'unité. Si les coins n'ont pas une assise suffisante, les pieds d'installation risquent de se courber.
- Lorsque vous utilisez des coussinets, veillez à ce que toute la largeur de l'unité soit recouverte.
- La longueur de projection du boulon d'ancrage doit être inférieure à 30 mm [1-3/16 in].
- Les boulons d'ancrage installés ultérieurement (boulons mal fixés dans le support en ciment) ne sont pas compatibles avec ce produit à moins que des supports de fixation soient montés au préalable aux quatre emplacements (six emplacements : P120, 144).

[Fig. 8.1.2]



- Dans des environnements anormalement rigoureux (zones venteuses et/ou neigeuses), des contre-mesures suffisantes doivent être mises en oeuvre pour protéger l'unité contre un vent ou une quantité de neige en excès, afin de garantir son bon fonctionnement. Lorsque l'unité doit être utilisée en mode de refroidissement à une température inférieure à 10°C [50°F] et dans des zones neigeuses et des environnements soumis à des précipitations et des vents violents, installez l'entrée d'air et la conduite de sortie comme indiqué sur la [Fig. 8.1.2].

**Remarque :**

1. La hauteur du support du bâti utilisé en prévention des dommages provoqués par la neige (H) doit être deux fois plus haute que le niveau de la neige attendu. La largeur du support du bâti ne doit pas excéder celle de l'unité. Le support du bâti doit être fabriqué en acier cornier, etc., et conçu pour que la neige et le vent glissent sur la structure. (Si le support du bâti est trop large, la neige s'accumulera dessus.)
2. Montez l'unité de sorte que le vent ne heurte pas directement les ouvertures des conduites d'entrée et de sortie.
3. Montez le support du bâti chez le client en vous reportant à cette figure.  
Matériau : plaque en acier galvanisé 1.2T  
Peinture : peinture globale à base de poudre polyester  
Couleur : Munsell 5Y8/1 (identique à celle de l'unité)
4. Lorsque l'unité est utilisée dans une région froide en mode de chauffage continu sur une longue période alors que la température de l'air extérieur est inférieure à la température de gel, installez un radiateur à la base de l'unité ou prenez les mesures adéquates pour empêcher l'eau de geler dans le support.

**⚠ Avertissement :**

- **Soyez sûr d'installer l'unité dans un endroit assez résistant pour soutenir son poids.**  
**Toute faiblesse de résistance peut faire tomber l'unité et causer des blessures.**
- **Faites effectuer l'installation afin de la protéger contre les vents forts et les tremblements de terre.**  
**Toute déficience dans l'installation peut faire tomber l'unité et causer des blessures.**

Lors de la construction de la fondation, faites attention à la résistance du plancher, à la disposition de l'eau de drainage <en cours de fonctionnement, de l'eau de drainage s'écoule de l'unité>, et au routage des tubes et des câbles.

**Précautions en cas de routage des tubes et des câbles en dessous de l'unité**  
Lorsque les tubes et les câbles passent en dessous de l'unité, vérifiez que les travaux sur la base et la fondation ne bloquent pas les trous de passage de la base. Assurez-vous en outre que la hauteur de la fondation soit au moins de 100 mm [3-15/16 in] de sorte que la tuyauterie puisse passer en dessous de l'unité.

## 9. Installation de la tuyauterie du frigorigène

Le tube est connecté par l'intermédiaire d'une connexion de type branche terminale dans laquelle la tuyauterie du frigorigène provenant de l'unité extérieure est branchée au terminal et est connectée à chacune des unités d'intérieur. La méthode de raccord des tubes est la suivante : la suivante : raccordement évasé pour les unités d'intérieur, tuyaux de gaz et de fluide pour les unités extérieures, raccordement évasé. Notez que les sections doubles sont évasées. Remarquez que les sections ramifiées sont brasées.

**⚠ Avertissement :**

**Utilisez uniquement un réfrigérant de type indiqué dans les manuels fournis avec l'unité et sur la plaque signalétique.**

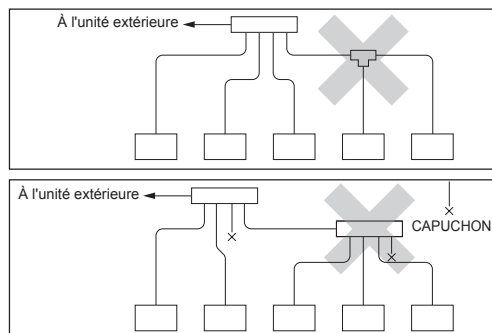
- Faute de quoi, l'unité ou la tuyauterie pourrait éclater, ou cela pourrait provoquer une explosion ou un incendie pendant l'utilisation, la réparation ou la mise au rebut de l'unité.
- Cela pourrait également constituer une violation des lois applicables.
- MITSUBISHI ELECTRIC CORPORATION ne peut être tenue responsable de tout dysfonctionnement ou accident résultant de l'utilisation du mauvais type de réfrigérant.

**Toujours faire très attention à empêcher le gaz frigorigène de fuir quand vous utilisez du feu ou une flamme. Si le gaz frigorigène entre en contact avec une flamme de n'importe quelle source, telle qu'un fourneau à gaz, il se décompose et produit un gaz toxique qui peut provoquer une intoxication au gaz. Ne soudez jamais dans une salle non aérée. Effectuez toujours une inspection de fuite de gaz après que l'installation de la tuyauterie du frigorigène ait été complétée.**

### 9.1. Mise en garde

Cette unité utilise le frigorigène de type R410A. Observez les règlements locaux lors de la sélection des matériaux et de l'épaisseur des tubes. (Reportez-vous au tableau à droite.)

1. Utilisez les matériaux suivants pour la tuyauterie frigorifique.
  - Matériaux : Utilisez des tubes en alliage de cuivre sans soudure faits en cuivre désoxydé par phosphore. Assurez-vous que l'intérieur et les surfaces externes des tubes sont propres et dépourvues de soufre, d'oxydes, de poussières, de particules de rasage, d'huile et d'humidité (contamination).
  - Dimension : Reportez-vous à 9.2. pour les informations détaillées sur le système de tuyauterie du frigorigène.
2. Observez toujours les restrictions sur la tuyauterie de frigorigène (telles que la longueur nominale, la différence de hauteur et le diamètre du tube) pour empêcher la défaillance de l'équipement ou une diminution de la performance de chauffage/refroidissement.
3. Des branchements ne peuvent pas être faits après le branchement du collecteur (les pièces correspondantes sont marquées avec X dans le diagramme ci-dessous).



4. **N'exécutez pas la connexion de tuyauterie de l'unité extérieure quand il pleut.**
5. La tuyauterie disponible dans le commerce contient souvent de la poussière et d'autres matériaux. Nettoyez-la toujours à l'aide d'un jet de gaz inerte sec.
6. Prenez soin d'empêcher la poussière, l'eau ou autres contaminants de pénétrer dans la tuyauterie pendant l'installation.
7. Réduire autant que possible le nombre de sections courbées, et utilisez des rayons de cintrage aussi grands que possible.
8. Pour les branchements intérieur et extérieur, utiliser les jeux suivants de tubes de jumelage dans le tableau 1 (vendus séparément).
9. Utiliser un adaptateur si un tube de frigorigène spécifié a un diamètre différent de celui du tube de branchement.
10. **Brasez seulement avec un matériau de brasage non-oxydé pour tuyauterie. Le non-respect de cette instruction peut endommager le compresseur. Soyez sûr d'exécuter le brasage sans oxydation avec une purge d'azote. N'utilisez aucun agent antioxydant disponible dans le commerce étant donné qu'il peut entraîner la corrosion des tubes et dégrader l'huile frigorigène. Veuillez contacter Mitsubishi Electric pour plus de détails.** (Reportez-vous à 10.2. pour des détails sur la connexion de la tuyauterie et du fonctionnement de la valve)
11. Isolez toujours correctement la tuyauterie. Une isolation insuffisante aura comme conséquence une diminution de la performance de chauffage/ refroidissement, des gouttes d'eau de condensation et autres problèmes de ce type (reportez-vous à 10.4 pour l'installation de la tuyauterie du frigorigène).
12. Lors du branchement de la tuyauterie frigorigène, assurez-vous que la valve de l'unité extérieure est complètement fermée (réglage usine). Ne l'actionnez pas jusqu'à ce que la tuyauterie frigorigène des unités extérieure et intérieure ait été connectée, qu'un essai d'étanchéité du frigorigène ait été exécuté et que le processus d'évacuation ait été complété.
13. **N'utilisez jamais de frigorigène pour exécuter une purge d'air.** Servez-vous toujours d'une pompe à vide pour évacuer.
14. **Soyez sûr de charger le système avec un frigorigène liquide.**
15. Un manque ou un excès de frigorigène provoque un arrêt d'urgence de l'unité. Chargez le système d'une quantité appropriée de frigorigène. Au cours d'un entretien, vérifiez toujours les notes concernant la longueur du tube et la quantité de frigorigène supplémentaire aux deux emplacements, le tableau de calcul du volume de frigorigène au dos du panneau de service et la section de frigorigène supplémentaire sur les étiquettes pour le nombre combiné d'unités d'intérieur (reportez-vous à 9.2. pour les informations détaillées sur le système de tubes de frigorigène).

Dimension du tube en cuivre et épaisseur radiale pour le R410A CITY MULTI.

Dimension (mm)	Dimension (pouces)	Épaisseur radiale (mm)	Épaisseur radiale (mil)	Type de tube
ø6,35	ø1/4"	0,8	32	Type-O
ø9,52	ø3/8"	0,8	32	Type-O
ø12,7	ø1/2"	0,8	32	Type-O
ø15,88	ø5/8"	1,0	40	Type-O
*ø19,05	ø3/4"	1,2	48	Type-O
*ø19,05	ø3/4"	1,0	40	Type-1/2H ou H
ø22,2	ø7/8"	1,0	40	Type-1/2H ou H
ø25,4	ø1"	1,0	40	Type-1/2H ou H
ø28,58	ø1-1/8"	1,0	40	Type-1/2H ou H
ø31,75	ø1-1/4"	1,1	44	Type-1/2H ou H
ø34,93	ø1-3/8"	1,2	48	Type-1/2H ou H
ø41,28	ø1-5/8"	1,4	56	Type-1/2H ou H

\* Les deux types de tube peuvent être utilisés pour une taille de tube de ø19,05 (3/4 pouce) pour le climatiseur R410A.

<Tableau 1>

Jeu de tubes de jumelage intérieur						
Branchement de ligne				Branchement de collecteur		
Capacité de l'unité intérieure en aval Moins de 72 au total	Capacité de l'unité intérieure en aval Plus de 73 et moins de 144 au total	Capacité de l'unité intérieure en aval Plus de 145 et moins de 240 au total	Unité à faible débit Plus de 241 au total	4 branches	8 branches	10 branches
CMY-Y102SS-G2	CMY-Y102LS-G2	CMY-Y202S-G2	CMY-Y302S-G2	CMY-Y104C-G	CMY-Y108C-G	CMY-Y1010C-G

Kit de Jumelage extérieur	
Total pour modèle extérieur P144YSKMU, P168 ~ P240T/YSKMU CMY-Y100CBK3	Total pour modèle extérieur P264 ~ P360T/YSKMU CMY-Y300CBK2

**⚠ Avertissement :**

En installant et en déménageant l'unité, ne chargez pas le système avec un frigorigène autre que celui qui est spécifié sur l'unité.

- Le mélange d'un réfrigérant différent, d'air, etc. peut faire mal fonctionner le cycle frigorifique et peut occasionner des dommages sévères.

**⚠ Attention :**

- **Utilisez une pompe à vide avec clapet anti-retour de flux inverse.**
  - Si la pompe à vide n'a pas de clapet anti-retour de flux inverse, l'huile de la pompe à vide peut refluer dans le cycle frigorifique et détériorer l'huile réfrigérante.
- **N'utilisez pas les outils indiqués ci-dessous qui sont utilisés avec les frigorigènes conventionnels.**

(Manomètre de pression, tuyau flexible de charge, détecteur de fuite de gaz, clapet anti-retour de flux inverse, base de charge du frigorigène, manomètre à vide, équipement de récupération du frigorigène)

  - Le mélange de frigorigène conventionnel et d'huile réfrigérante peut détériorer l'huile réfrigérante.
  - Le mélange d'eau détériore l'huile réfrigérante.

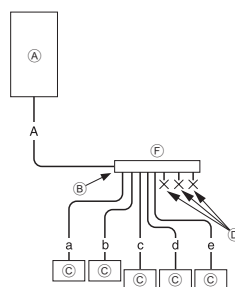
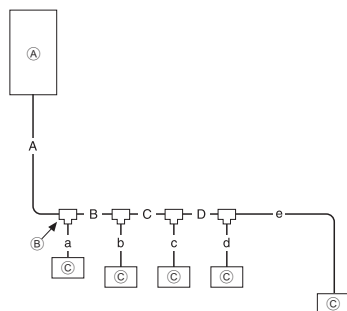
- Le frigorigène R410A ne contient aucun chlore. Par conséquent, les détecteurs de fuite de gaz pour les frigorigènes conventionnels ne réagissent pas.
- **Gérez les outils utilisés pour le R410A plus soigneusement que d'habitude.**
  - Si de la poussière, des saletés ou de l'eau pénètre dans le cycle frigorifique, l'huile réfrigérante se détériore.
- **N'utilisez jamais la tuyauterie du frigorigène existante.**
  - La grande quantité de chlore dans un frigorigène conventionnel et l'huile réfrigérante dans la tuyauterie existante détérioreront le nouveau frigorigène.
- **Entreposez à l'intérieur la tuyauterie à utiliser pour l'installation et gardez scellées les deux extrémités de la tuyauterie jusqu'au moment du brasage.**
  - Si de la poussière, des saletés ou de l'eau pénètre dans le cycle frigorifique, l'huile se détériore et le compresseur peut défaillir.
- **N'utilisez pas de cylindre de chargement.**
  - Utiliser un cylindre de chargement peut détériorer le frigorigène.
- **N'utilisez pas de détergents spéciaux pour laver la tuyauterie.**

## 9.2. Système de tuyauterie du frigorigène

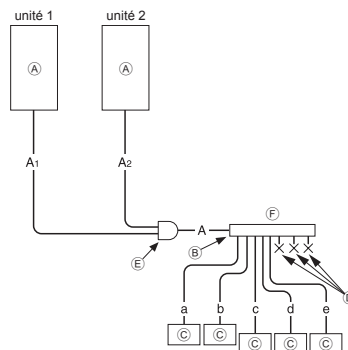
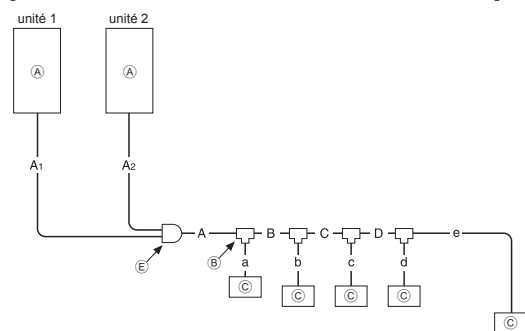
Exemple de connexion

[Fig. 9.2.1]

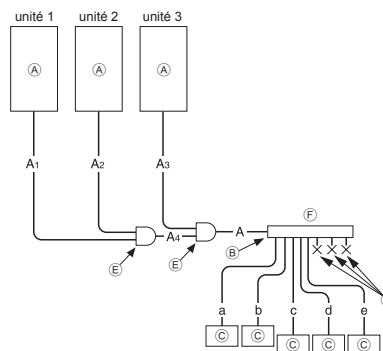
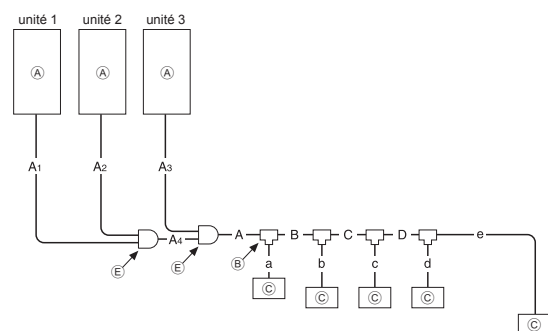
[Modèle extérieur : P72 ~ P144T/YKMU]



[Modèle extérieur : P144YSKMU, P168 ~ P240T/YSKMU]



[Modèle extérieur : P264 ~ P360T/YSKMU]



- (A) Unité extérieure
  - (B) 1ère branche
  - (C) Unité d'intérieur
  - (D) Capuchon
  - (E) Kit de Jumelage extérieur
  - (F) Collecteur
- \* La longueur totale de A<sub>1</sub> (A<sub>2</sub>), A<sub>3</sub> et A<sub>n</sub> est inférieure à 10 m [32 ft].

A

(Unité : mm [in])

Modèle extérieur	Unité combinée			A		A1 <sup>3</sup>		A2 <sup>3</sup>		A3 <sup>3</sup>		A4	
	Unité 1	Unité 2	Unité 3	Tube de fluide	Tube de gaz	Tube de fluide	Tube de gaz	Tube de fluide	Tube de gaz	Tube de fluide	Tube de gaz	Tube de fluide	Tube de gaz
P72T/YKMU	-	-	-	ø9,52 [3/8]	ø22,2 [7/8]	-	-	-	-	-	-	-	-
P96T/YKMU	-	-	-	*1ø9,52 [3/8]	ø22,2 [7/8]	-	-	-	-	-	-	-	-
P120T/YKMU	-	-	-	*2ø9,52 [3/8]	ø28,58 [1-1/8]	-	-	-	-	-	-	-	-
P144T/YKMU	-	-	-	ø12,7 [1/2]	ø28,58 [1-1/8]	-	-	-	-	-	-	-	-
P144YSKMU	P72	P72	-	ø12,7 [1/2]	ø28,58 [1-1/8]	ø9,52 [3/8]	ø22,2 [7/8]	ø9,52 [3/8]	ø22,2 [7/8]	-	-	-	-
P168T/YSKMU	P96	P72	-	ø15,88 [5/8]	ø28,58 [1-1/8]	ø9,52 [3/8]	ø22,2 [7/8]	ø9,52 [3/8]	ø22,2 [7/8]	-	-	-	-
P192T/YSKMU	P120	P72	-	ø15,88 [5/8]	ø28,58 [1-1/8]	ø12,7 [1/2]	ø28,58 [1-1/8]	ø9,52 [3/8]	ø22,2 [7/8]	-	-	-	-
P216T/YSKMU	P120	P96	-	ø15,88 [5/8]	ø28,58 [1-1/8]	ø12,7 [1/2]	ø28,58 [1-1/8]	ø9,52 [3/8]	ø22,2 [7/8]	-	-	-	-
P240T/YSKMU	P120	P120	-	ø15,88 [5/8]	ø28,58 [1-1/8]	ø12,7 [1/2]	ø28,58 [1-1/8]	ø12,7 [1/2]	ø28,58 [1-1/8]	-	-	-	-
P264T/YSKMU	P120	P72	P72	ø19,05 [3/4]	ø34,93 [1-3/8]	ø12,7 [1/2]	ø28,58 [1-1/8]	ø9,52 [3/8]	ø22,2 [7/8]	ø9,52 [3/8]	ø22,2 [7/8]	ø19,05 [3/4]	ø34,93 [1-3/8]
P288T/YSKMU	P120	P96	P72	ø19,05 [3/4]	ø34,93 [1-3/8]	ø12,7 [1/2]	ø28,58 [1-1/8]	ø9,52 [3/8]	ø22,2 [7/8]	ø9,52 [3/8]	ø22,2 [7/8]	ø19,05 [3/4]	ø34,93 [1-3/8]
P312T/YSKMU	P120	P120	P72	ø19,05 [3/4]	ø34,93 [1-3/8]	ø12,7 [1/2]	ø28,58 [1-1/8]	ø12,7 [1/2]	ø28,58 [1-1/8]	ø9,52 [3/8]	ø22,2 [7/8]	ø19,05 [3/4]	ø34,93 [1-3/8]
P336T/YSKMU	P120	P120	P96	ø19,05 [3/4]	ø41,28 [1-5/8]	ø12,7 [1/2]	ø28,58 [1-1/8]	ø12,7 [1/2]	ø28,58 [1-1/8]	ø9,52 [3/8]	ø22,2 [7/8]	ø19,05 [3/4]	ø34,93 [1-3/8]
P360T/YSKMU	P120	P120	P120	ø19,05 [3/4]	ø41,28 [1-5/8]	ø12,7 [1/2]	ø28,58 [1-1/8]	ø12,7 [1/2]	ø28,58 [1-1/8]	ø12,7 [1/2]	ø28,58 [1-1/8]	ø19,05 [3/4]	ø34,93 [1-3/8]

\*1 ø12,7 pour plus de 90 m [295 ft]

\*2 ø12,7 pour plus de 40 m [131 ft]

\*3 Les tailles de tuyaux indiquées dans les colonnes A1 à A3 de ce tableau correspondent aux tailles des modèles présentés dans les colonnes 1, 2 et 3. Lorsque l'ordre des modèles change, veuillez à utiliser la taille de tuyau appropriée.

\*4 Ⓟ Si la longueur du tube après le premier raccord dépasse 40 m (≤ 90 m), utilisez le tube de fluide plus large d'une taille pour l'unité extérieure.

\*5 Ⓞ Si la différence de hauteur entre les unités intérieures est d'au moins 15 m (≤ 30 m), utilisez le tube de fluide plus large d'une taille pour l'unité intérieure (côté inférieur).

B,C,D

(Unité : mm [in])

Capacité totale d'unités d'intérieur	Tube de fluide	Tube de gaz
~ 54	ø9,52 [3/8]	ø15,88 [5/8]
55 ~ 72	ø9,52 [3/8]	ø19,05 [3/4]
73 ~ 108	ø9,52 [3/8]	ø22,2 [7/8]
109 ~ 144	ø12,7 [1/2]	ø28,58 [1-1/8]
145 ~ 240	ø15,88 [5/8]	ø28,58 [1-1/8]
241 ~ 308	ø19,05 [3/4]	ø34,93 [1-3/8]
309 ~	ø19,05 [3/4]	ø41,28 [1-5/8]

a,b,c,d,e

(Unité : mm [in])

Numéro de modèle	Tube de fluide	Tube de gaz
06, 08, 12, 15, 18	ø6,35 [1/4]	ø12,7 [1/2]
24, 27, 30, 36, 48, 54	ø9,52 [3/8]	ø15,88 [5/8]
72	ø9,52 [3/8]	ø19,05 [3/4]
96	ø9,52 [3/8]	ø22,2 [7/8]

Total de modèle d'unité en aval	Joint
~ 72	CMY-Y102SS-G2
73 ~ 144	CMY-Y102LS-G2
145 ~ 240	CMY-Y202S-G2
La 1ère branche de P144 ~ P240	
241 ~	CMY-Y302S-G2
La 1ère branche de P264 ~ P360	

Collecteur 4 branches (Total de modèles d'unité intérieure en aval 72)	Collecteur 8 branches (Total de modèle d'unité intérieure en aval 144)	Collecteur 10 branches (Total de modèle d'unité intérieure en aval 240)
CMY-Y104C-G	CMY-Y108C-G	CMY-Y1010C-G

Modèle extérieur	Kit de Jumelage extérieur
P144YSKMU, P192 ~ 240T/YSKMU	CMY-Y100CBK3
P264 ~ P360T/YSKMU	CMY-Y300CBK2

\*1 P144 : modèle YSKMU uniquement.

### Précautions pour les combinaisons d'unités extérieures

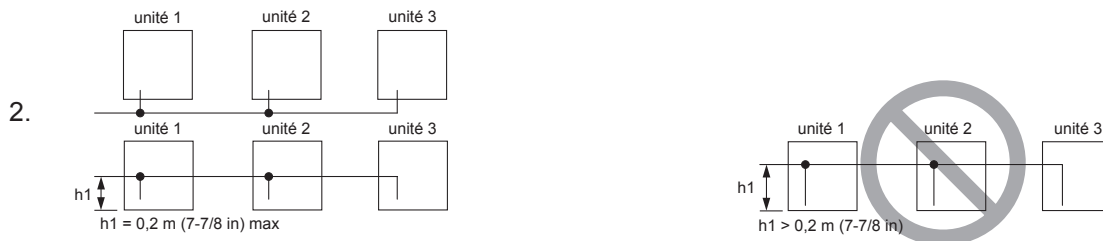
Reportez-vous à [Fig. 9.2.2] pour le positionnement des tubes de jumelage.

[Fig. 9.2.2]

<A> Installez la tuyauterie de sorte que l'huile ne s'accumule pas dans l'unité extérieure arrêtée.



L'exemple NG illustre une accumulation d'huile car les unités sont installées de manière inversée, que l'unité 1 est en cours d'utilisation et que l'unité 3 est arrêtée.



L'exemple NG illustre une accumulation d'huile dans les unités 1 et 2, que l'unité 3 est en cours d'utilisation et que les unités 1 et 2 sont arrêtées. La hauteur (h1) du tube vertical doit être de 0,2 m (7-7/8 in) maximum.



L'exemple NG illustre une accumulation d'huile dans l'unité 1, que l'unité 3 est en cours d'utilisation et que l'unité 1 est arrêtée. La différence entre l'unité et l'unité en hauteur (h2) doit être de 0,1 m (3-15/16 in) maximum.



L'exemple NG illustre une accumulation d'huile dans l'unité 3, que l'unité 1 est en cours d'utilisation et que l'unité 3 est arrêtée. La différence entre l'unité et l'unité en hauteur (h2) doit être de 0,1 m (3-15/16 in) maximum.

<B> Quand la tuyauterie du côté de l'unité extérieure (du tube de jumelage) dépasse 2 m [6 ft], placez un siphon (**tube de gaz seulement**) à moins de 2 m [6 ft].  
 Veillez à ce que la hauteur du siphon soit de 200 mm [7-7/8 in] ou plus.  
 S'il n'y a aucun siphon, l'huile peut s'accumuler à l'intérieur du tube, entraînant un manque d'huile qui peut endommager le compresseur.



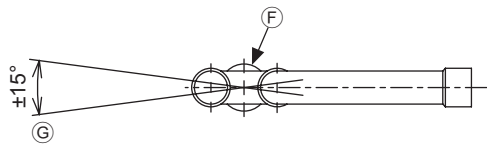
### ⚠ Attention :

- N'installez pas d'autres siphons que ceux entre les portes extérieures décrits sur un document séparé afin d'éviter retours d'huile et erreurs du démarrage du compresseur.
- N'installez pas de valves solénoïdes pour éviter retours d'huile et erreurs de démarrage du compresseur.
- N'installez pas de vitre d'observation car elle pourrait indiquer un flux réfrigérant erroné.  
 Si une vitre d'observation est installée, des techniciens inexpérimentés sont susceptibles de surcharger le réfrigérant.

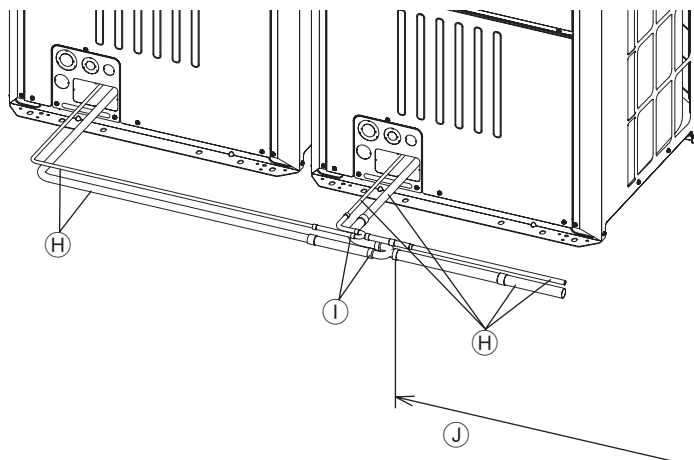
<C> Pente des tubes de jumelage

Assurez-vous que la pente des tubes de jumelage est sous un angle dans la plage ±15° par rapport au sol.

Si la pente excède l'angle indiqué, l'unité peut être endommagée.



<D> Exemple de connexion de tube



- (A) Pente descendante      (B) Pente ascendante      (C) Unité d'intérieur      (D) Siphon (tube de gaz seulement)      (E) À moins de 2 m [6 ft]
- (F) Tube de jumelage      (G) La pente des tubes de jumelage est sous un angle compris dans la plage de ±15° par rapport au sol
- (H) Tubes sur le site      (I) Kit de Jumelage      (J) Segment droit d'au moins 500 mm [19-11/16 in] d'un tube

## 10. Charge supplémentaire de frigorigène

Au moment de l'expédition, l'unité extérieure est chargée de frigorigène.

Cette charge n'inclut pas la quantité requise pour l'extension de tuyauterie et un remplissage supplémentaire de chaque ligne de frigorigène est requis sur le site. Pour que l'entretien puisse être correctement fourni à l'avenir, gardez toujours une note de la taille et de la longueur de chaque ligne de frigorigène et de la quantité de charge supplémentaire en l'inscrivant dans l'espace fourni sur l'unité extérieure.

### 10.1. Calcul de la charge supplémentaire de frigorigène

- Calculez la quantité de charge supplémentaire basée sur la longueur de l'extension de tuyauterie et la taille de la ligne de frigorigène.
- Utilisez le tableau ci-dessous comme guide pour calculer la quantité de charge supplémentaire et chargez le système en conséquence.
- Si le calcul a pour résultat une fraction de moins de 0,1 kg [4 oz] arrondissez jusqu'à 0,1 kg [4 oz] suivant. Par exemple, si le résultat du calcul est de 12,38 kg [437 oz], arrondissez le résultat à 12,4 kg [438 oz].

<Calcul de la quantité de frigorigène à charger>

Charge supplémentaire de frigorigène (kg) [oz]	=	Longueur totale du tube de fluide de ø19,05 mm [3/4 in] (m) × 0,29 (kg/m) (ft) × 3,12 (oz/ft)	+	Longueur totale du tube de fluide de ø15,88 mm [5/8 in] (m) × 0,2 (kg/m) (ft) × 2,16 (oz/ft)	+	Longueur totale du tube de fluide de ø12,7 mm [1/2 in] (m) × 0,12 (kg/m) (ft) × 1,30 (oz/ft)
--	---	---	---	--	---	--

+	Longueur totale du tube de fluide de ø9,52 mm [3/8 in] (m) × 0,06 (kg/m) (ft) × 0,65 (oz/ft)	+	Longueur totale du tube de fluide de ø6,35 mm [1/4 in] (m) × 0,024 (kg/m) (ft) × 0,26 (oz/ft)
---	--	---	---

Charge supplémentaire		+	α
Modèle extérieur	Quantité chargée		
P96	2 kg		
P120 P144	8 kg		

<Exemple>

Intérieur	
1: 48 A : ø12,7 mm [1/2 in] 40 m [131 ft]	a : ø9,52 mm [3/8 in] 10 m [32 ft]
2: 36 B : ø9,52 mm [3/8 in] 10 m [32 ft]	b : ø9,52 mm [3/8 in] 5 m [16 ft]
3: 15 C : ø9,52 mm [3/8 in] 15 m [49 ft]	c : ø6,35 mm [1/4 in] 10 m [32 ft]
4: 12 D : ø9,52 mm [3/8 in] 10 m [32 ft]	d : ø6,35 mm [1/4 in] 10 m [32 ft]
5: 24	e : ø9,52 mm [3/8 in] 10 m [32 ft]

} Aux conditions ci-dessous :

La longueur totale de chaque ligne de fluide est la suivante :

ø12,7 mm [1/2 in]: A = 40 m [131 ft] = 40 m [131 ft]  
 ø9,52 mm [3/8 in]: B + C + D + a + b + e  
 = 10 m [32 ft] + 15 m [49 ft] + 10 m [32 ft] + 10 m [32 ft] + 5 m [16 ft] + 10 m [32 ft] = 60 m [193 ft]  
 ø6,35 mm [1/4 in]: c + d = 10 m [32 ft] + 10 m [32 ft] = 20 m [64 ft]

Par conséquent,

<Exemple de calcul>

Charge supplémentaire de frigorigène  
 = 40 m [131 ft] × 0,12 kg/m [1,30 oz/ft] + 60 m [193 ft] × 0,06 kg/m [0,65 oz/ft] + 20 m [64 ft] × 0,024 kg/m [0,26 oz/ft] + 3,5 kg [124 oz] = 12,4 kg [438 oz]

Valeur de α

Capacité totale des unités intérieures connectées	α	
Modèles ~ 27	2,0 kg	[71 oz]
Modèles 28 ~ 54	2,5 kg	[89 oz]
Modèles 55 ~ 126	3,0 kg	[106 oz]
Modèles 127 ~ 144	3,5 kg	[124 oz]
Modèles 145 ~ 180	4,5 kg	[159 oz]
Modèles 181 ~ 234	5,0 kg	[177 oz]
Modèles 235 ~ 273	6,0 kg	[212 oz]
Modèles 274 ~ 307	8,0 kg	[283 oz]
Modèles 308 ~ 342	9,0 kg	[318 oz]
Modèles 343 ~ 411	10,0 kg	[353 oz]
Modèles 412 ~ 480	12,0 kg	[424 oz]
Modèles 481 ~	14,0 kg	[494 oz]

<Quantité de frigorigène chargé en usine>

Modèle extérieur	Quantité chargée
P72	9,0 kg
P96	11,5 kg
P120	11,8 kg
P144	11,8 kg

## 10.2. Précautions concernant les connexions de la tuyauterie et le fonctionnement de la valve

- Les connexions de la tuyauterie et le fonctionnement de la valve doivent être exécutés soigneusement et avec précision.

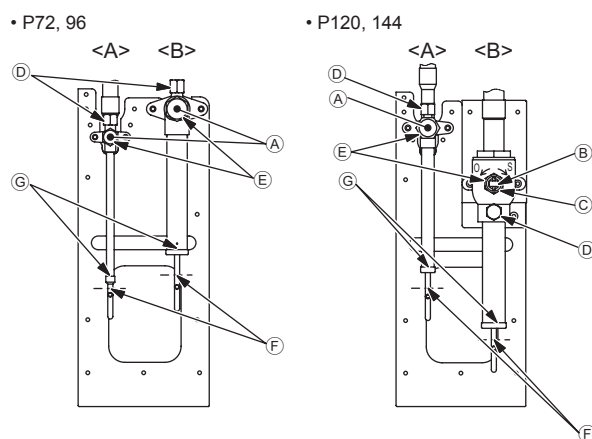
### Retirer le tube de connexion rétréci

Une fois expédié, un tube de connexion rétréci est attaché sur site aux valves haute et basse pression pour empêcher la fuite de gaz.

Prenez les mesures suivantes ① à ④ pour retirer le tube de connexion rétréci avant de connecter les tubes de frigorigène à l'unité extérieure.

- Vérifiez que la valve de frigorigène est complètement fermée (tournée à fond dans le sens horaire).
- Branchez un tube de remplissage au port de service sur la valve basse-pression/haute-pression, et extrayez le gaz dans la section de tube située entre la valve de frigorigène et le tube de connexion rétréci.
- Après avoir évacué le gaz du tube de connexion rétréci, coupez le tube de connexion rétréci à l'endroit indiqué sur la [Fig.10.2.1] et vidangez le frigorigène.
- Après avoir terminé les étapes ② et ③, chauffez la section brasée pour enlever le tube de connexion rétréci.

[Fig. 10.2.1]



<A> Valve (côté fluide/type brasé)

<B> Valve (côté gaz/type brasé)

A Axe

Complètement fermé à l'usine, en connectant la tuyauterie, et en créant un vide. Ouvrez entièrement après avoir complété ces opérations.

<Lors de l'ouverture>

- Tournez l'axe dans le sens anti-horaire avec une clef à six pans.
- Tournez l'axe jusqu'à ce qu'il s'arrête.

<Lors de la fermeture>

- Tournez l'axe dans le sens horaire avec une clef à six pans.
- Tournez l'axe jusqu'à ce qu'il s'arrête.

B Axe

Complètement fermé à l'usine, en connectant la tuyauterie, et en créant un vide. Ouvrez entièrement après avoir complété ces opérations.

<Lors de l'ouverture>

- Tournez l'axe dans le sens contraire des aiguilles d'une montre.
- Tournez l'axe jusqu'à ce qu'il s'arrête.

<Lors de la fermeture>

- Tournez l'axe dans le sens des aiguilles d'une montre.
- Tournez l'axe jusqu'à ce qu'il s'arrête.

C Barrette d'arrêt

Empêche l'axe de tourner à plus de 90°.

D Port de service

Pour évacuer les gaz du tube de connexion rétréci ou de créer un vide dans les tubes du frigorigène sur le site.

E Capuchon

Retirez le capuchon avant d'actionner l'axe. Soyez sûr de le remettre dans sa position initiale après avoir complété l'opération.

F Partie de découpe du tube de connexion rétréci

G Partie de brasage du tube de connexion rétréci

### ⚠ Avertissement :

- Les sections entre les valves de frigorigène et les tubes de connexion rétrécis sont remplies de gaz et d'huile frigorigère. Extrayez le gaz et l'huile frigorigère dans la section de tube susmentionnée avant de chauffer la section brasée pour retirer le tube de connexion rétréci de la valve de frigorigère.

- Si la section brasée est chauffée sans d'abord extraire le gaz et l'huile frigorigère, le tube peut éclater ou le tube de connexion rétréci peut exploser, enflammer l'huile frigorigère et causer des blessures sérieuses.

### ⚠ Attention :

- Placez une serviette humide sur la valve de frigorigère avant de chauffer la section brasée pour que la température de la valve ne dépasse pas 120°C [248°F].
- Dirigez la flamme à l'écart du câblage et des tôles à l'intérieur de l'unité pour empêcher les dommages causés par la chaleur.

### ⚠ Attention :

- N'évacuez pas le R410A dans l'atmosphère.

### Connexion du tube de frigorigène

Ce produit nécessite des tuyaux de connexion pour la tuyauterie vers l'avant et la tuyauterie vers le bas. (Reportez-vous à la [Fig.10.2.2])

Contrôlez les dimensions de la tuyauterie de fluide/gaz avant de connecter le tube de frigorigène.

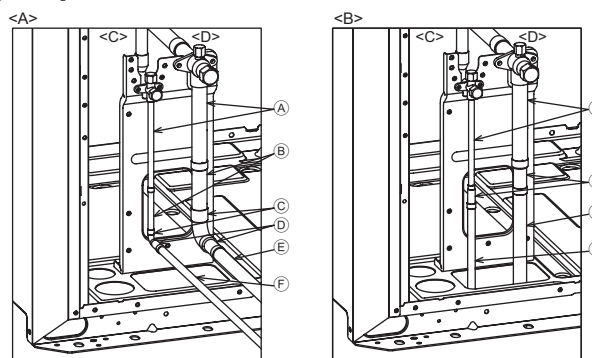
Consultez le tableau ci-après pour les dimensions des tubes.

Assurez-vous que le tube de frigorigène ne touche pas d'autres tubes de frigorigène, des panneaux de l'unité ou des plaques de base.

Soyez sûr d'utiliser un brasage non-oxydant pour la connexion des tubes. Veillez à ne pas brûler le câblage et la plaque lors du brasage.

<Exemples de connexion de la tuyauterie du frigorigène>

[Fig.10.2.2]



<A> Routage du tube avant

<C> Côté fluide

A Tube de connexion de la valve de frigorigène

B Tube sur site (ajustez la position du tube sur l'orifice défonçable.)

C Coude

D Réducteur, etc.

E Tube sur site (tube de raccord de gaz)

F Tube sur site (tube de raccord de fluide)

<B> Routage du tube inférieur

<D> Côté gaz

(Unité : mm [in])

Modèle	Diamètre			
	Tube de frigorigène		Valve de service	
	Fluide	Gaz	Fluide	Gaz
P72	ø9,52 [3/8] Brasé *1	ø22,2 [7/8] Brasé *2	ø9,52 [3/8]	ø28,58 [1-1/8]
P96	ø9,52 [3/8] Brasé *1 (ø12,7 [1/2] Brasé) *2, *4		ø9,52 [3/8]	
P120	ø9,52 [3/8] Brasé *2 (ø12,7 [1/2] Brasé) *1, *3, *5	ø28,58 [1-1/8] Brasé *2	ø12,7 [1/2]	
P144	ø12,7 [1/2] Brasé *1		ø12,7 [1/2]	

\*1 Prolongez le tube sur site et reliez-le au tube de valve de service.

\*2 Utilisez le raccord de tube (fourni sur site) et reliez-le au tube de valve de service de frigorigère.

\*3 Si l'unité est utilisée en combinaison avec d'autres unités extérieures.

\*4 Plus grande longueur de tube (de unité int. vers unité ext.) ≥ 90 m [295 ft]

\*5 Plus grande longueur de tube (de unité int. vers unité ext.) ≥ 40 m [131 ft]

Respectez la profondeur minimum d'insertion indiquée dans le tableau ci-dessous quand vous étendez la tuyauterie attachée au site.

Diamètre de tube (mm [in])	Épaisseur d'insertion minimale (mm [in])
5 [7/32] ou plus, moins de 8 [11/32]	6 [1/4]
8 [11/32] ou plus, moins de 12 [1/2]	7 [9/32]
12 [1/2] ou plus, moins de 16 [21/32]	8 [11/32]
16 [21/32] ou plus, moins de 25 [1]	10 [13/32]
25 [1] ou plus, moins de 35 [1-13/32]	12 [1/2]
35 [1-13/32] ou plus, moins de 45 [1-25/32]	14 [9/16]

- Après évacuation et chargement de frigorigène, assurez-vous que la poignée est complètement ouverte. En fonctionnant avec la valve fermée, une pression anormale est exercée sur le côté haute ou basse pression du circuit frigorifique, endommageant le compresseur, la valve à quatre voies, etc.
- Déterminez le volume de charge supplémentaire de frigorigène en utilisant la formule, et chargez le frigorigène supplémentaire par le port de service une fois l'évacuation terminée.
- Après avoir terminé les travaux, serrez le port de service et le capuchon afin de prévenir toute fuite de gaz. (Référez-vous au tableau ci-dessous pour le couple de serrage approprié.)

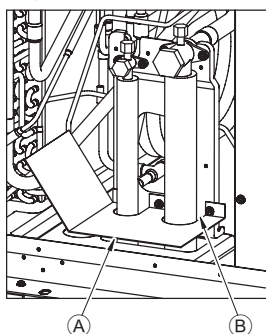
Couple de serrage approprié :

Diamètre extérieur du tube en cuivre (mm [in])	Capuchon (N·m/kg·cm)	Axe (N·m/kg·cm)	Taille de la clé hexagonale (mm)	Port de service (N·m/kg·cm)
ø9,52 [3/8]	15/150	6/60	4	12/120
ø12,7 [1/2]	20/200	9/90	4	
ø15,88 [5/8]	25/250	15/150	6	
ø19,05 [3/4]	25/250	30/300	6	
ø25,4 [1]	25/250	30/300	10	16/160
ø28,58 [1-1/8]	25/250	-	-	

#### ⚠ Attention :

- Maintenez la valve fermée jusqu'à ce que le chargement de frigorigène supplémentaire dans les tubes ait été complété. L'ouverture de la valve avant de charger le frigorigène peut endommager l'unité.
- N'utilisez pas d'additif de détection de fuite.

[Fig. 10.2.3]



- Ⓐ Exemple de matériaux de scellement (approvisionnement sur site)
- Ⓑ Remplissez l'espace vide sur le site

Veillez à sceller l'espace autour des zones où les câbles et les tubes de frigorigène entrent dans l'appareil de manière à ce que les petits animaux, l'eau de pluie ou la neige ne puissent pas pénétrer par de telles ouvertures et endommager l'appareil.

#### ⚠ Attention :

Veillez à sceller les ouvertures permettant de raccorder les tubes de frigorigène et les câbles à l'unité.

- Les petits animaux, l'eau de pluie ou la neige pénétrant par les ouvertures peuvent endommager l'appareil.

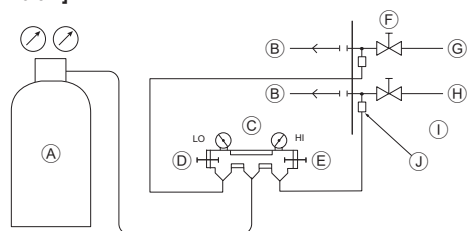


## 10.3. Test d'herméticité, évacuation et chargement de frigorigène

### ① Test d'herméticité

Exécutez avec la valve de l'unité extérieure fermée, et pressurisez la tuyauterie de connexion et l'unité intérieure depuis le port de service fourni sur la valve de l'unité extérieure. (Pressurisez toujours depuis les ports de service du tube de fluide et du tube de gaz.)

[Fig. 10.3.1]



- (A) Azote
- (B) À l'unité intérieure
- (C) Analyseur de système
- (D) Bouton bas
- (E) Bouton haut
- (F) Valve
- (G) Tube de fluide
- (H) Tube de gaz
- (I) Unité extérieure
- (J) Port de service

Observez les restrictions suivantes en effectuant un test d'étanchéité à l'air pour empêcher les effets négatifs sur l'huile réfrigérante. En outre, avec le réfrigérant nonazéotropique (R410A), une fuite de gaz fait changer la composition et affecte la performance. Réalisez par conséquent l'essai d'herméticité avec précaution.

Méthode d'essai d'herméticité	Restriction
<p>(1) Après application de la pression théorique (4,15 MPa [602 psi]) avec de l'azote, laissez en place pendant environ une journée. Si la pression ne chute pas, l'herméticité est bonne. Cependant, si la pression chute, étant donné que le point de fuite est inconnu, le test de bulles suivant peut également être exécuté.</p> <p>(2) Après avoir effectué la pressurisation décrite ci-dessus, arrosez les pièces de connexion évasées, les pièces brasées et autres pièces qui peuvent fuir avec un agent de barbotage (Kyuboflex, etc.) et voyez si des bulles apparaissent.</p> <p>(3) Après le test d'herméticité, éliminez l'agent de barbotage.</p>	<ul style="list-style-type: none"> <li>• Si un gaz inflammable ou l'air (oxygène) est utilisé comme gaz de pressurisation, il peut s'enflammer ou exploser.</li> </ul>

### ⚠ Attention :

Utilisez uniquement le frigorigène R410A.

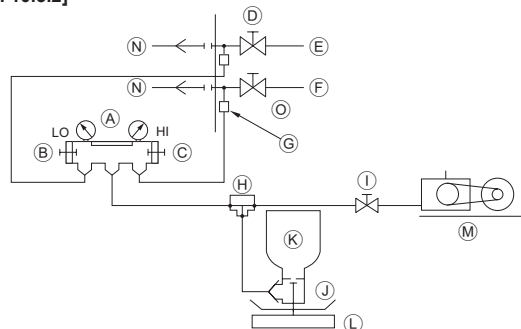
- L'utilisation d'autres réfrigérants tels que le R22 ou le R407C, qui contiennent du chlore, détériore l'huile réfrigérante ou provoque une dysfonction du compresseur.

### ② Évacuation

Évacuez avec la valve de l'unité extérieure fermée et évacuez en même temps la tuyauterie de connexion et l'unité intérieure depuis le port de service fourni sur la valve de l'unité extérieure à l'aide d'une pompe à vide. (Évacuez toujours depuis le port de service du tube de liquide et du tube de gaz.) Après que le vide ait atteint 650 Pa [abs] [0,0943 psi/5 Torr], continuez l'évacuation pendant au moins une heure. Arrêtez ensuite la pompe à vide et laissez-la pendant une heure. Vérifiez que le degré de vide n'a pas augmenté. (Si le degré d'augmentation du vide est supérieur à 130 Pa [0,01886 psi/1,0 Torr], de l'eau pourrait avoir pénétré. Appliquez une pression d'azote sec jusqu'à 0,05 MPa [7,25 psi] et appliquez de nouveau le vide. Répétez le processus d'évacuation trois fois minimum jusqu'à ce que la pression à vide soit réduite de 130 Pa maximum.) Pour finir, scellez avec le frigorigène liquide à travers le tube de fluide et ajustez la tuyauterie de gaz pour obtenir une quantité appropriée de frigorigène pendant le fonctionnement.

\* N'exécutez jamais de purge d'air à l'aide du frigorigène.

[Fig. 10.3.2]



- (A) Analyseur de système
- (B) Bouton bas (LO)
- (C) Bouton haut (HI)
- (D) Valve
- (E) Tube de fluide
- (F) Tube de gaz
- (G) Port de service
- (H) Joint à trois voies
- (I) Valve
- (J) Valve
- (K) Cylindre de R410A
- (L) Échelle
- (M) Pompe à vide
- (N) À l'unité intérieure
- (O) Unité extérieure

### Remarque :

- Pour l'évacuation, référez-vous aux procédures suivantes.

- Ajoutez toujours une quantité appropriée de frigorigène. En outre, chargez toujours le système avec du frigorigène liquide.
- Utilisez un manomètre de pression, un tuyau flexible de charge, et d'autres pièces pour le frigorigène indiquées sur l'unité.
- Utilisez un gravimètre. (Un modèle qui peut mesurer jusqu'à 0,1 kg [3 oz].)
- Utilisez une pompe à vide avec clapet anti-retour de flux inverse.

(Manomètre à vide recommandé : manomètre à vide Thermistor ROBINAIR 14830A ou manomètre Micron)

N'utilisez pas un manomètre de collecteur pour mesurer la pression à vide.

Utilisez en outre un manomètre à vide qui atteint 65 Pa [abs] [0,00943 psi/0,5 Torr] ou en dessous après avoir fonctionné pendant cinq minutes.

### <Triple évacuation>

- Évacuez le système de 4 000 microns par les deux valves de service. Les ensembles de jauge du système ne doivent pas être utilisés pour mesurer le vide. Une jauge micron doit être utilisée en permanence.
  - Cassez le vide avec de l'azote (N2) dans la valve de service de décharge jusqu'à 0 PSIG.
- Évacuez le système de 1 500 microns par la valve d'aspiration.
  - Cassez le vide avec de l'azote (N2) dans la valve de service de décharge jusqu'à 0 PSIG.
- Évacuez le système de 500 microns. Le système doit maintenir le vide à 500 microns pendant au moins 1 heure.
- Exécutez un test d'échauffement pendant au moins 30 minutes.

### ③ Chargement du frigorigène

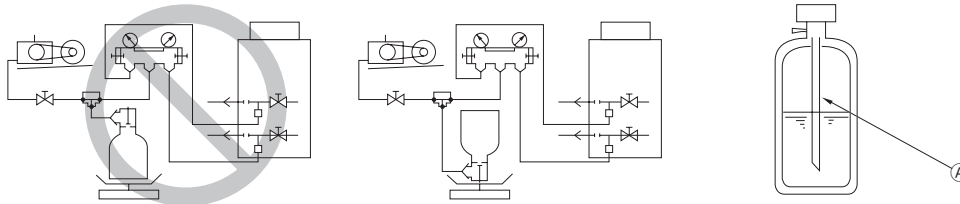
Utilisez uniquement un réfrigérant de type indiqué dans les manuels fournis avec l'unité et sur la plaque signalétique.

- Faute de quoi, l'unité ou la tuyauterie pourrait éclater, ou cela pourrait provoquer une explosion ou un incendie pendant l'utilisation, la réparation ou la mise au rebut de l'unité.
- Cela pourrait également constituer une violation des lois applicables.
- MITSUBISHI ELECTRIC CORPORATION ne peut être tenue responsable de tout dysfonctionnement ou accident résultant de l'utilisation du mauvais type de réfrigérant.

Puisque le réfrigérant utilisé avec l'unité est nonazéotropique, il doit être chargé à l'état liquide. En conséquence, en chargeant le frigorigène à partir d'un cylindre, si ce cylindre n'a pas de tube siphon, chargez le frigorigène liquide en tournant le cylindre à l'envers tel qu'illustré sur la Fig.10.3.3. Si le cylindre a un tube siphon comme illustré la droite de la Fig.10.3.3, le frigorigène liquide peut être chargé avec le cylindre debout. Portez par conséquent une attention particulière aux caractéristiques du cylindre. Si l'unité est chargée de gaz frigorigène, remplacez tout le frigorigène avec un nouveau frigorigène. N'utilisez pas le frigorigène restant dans le cylindre.

[Fig. 10.3.3]

<Si le cylindre ne dispose pas d'une conduite en siphon, chargez le cylindre de frigorigène à l'envers.>

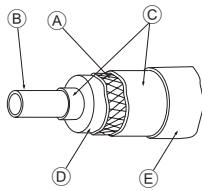


(A) Tuyau siphon

## 10.4. Isolation thermique de la tuyauterie du frigorigène

Soyez sûr d'ajouter l'isolation à la tuyauterie du frigorigène en couvrant le tube de fluide et le tube de gaz séparément avec une épaisseur suffisante de polyéthylène résistant à la chaleur, de sorte qu'aucun espace vide ne soit observé dans le joint entre l'unité intérieure et le matériel isolant, et entre les matériaux isolants eux-mêmes. Quand l'isolation est insuffisante, il peut y avoir condensation, etc. Faites particulièrement attention à l'isolation dans le plénum du plafond.

[Fig. 10.4.1]



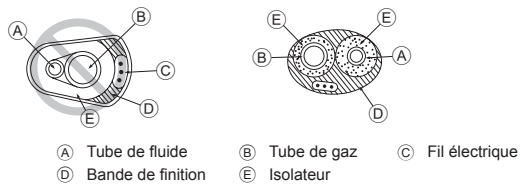
- (A) Fil d'acier
- (B) Tuyauterie
- (C) Mastic huileux asphaltique ou asphalte
- (D) Matériel A d'isolation thermique A
- (E) Couverture externe B

Matériel A d'isolation thermique	Fibre de verre + fil d'acier	
	Adhésif + mousse de polyéthylène anti-calorique + ruban adhésif	
Couverture externe B	Intérieur	Bande de vinyle
	Sol exposé	Chanvre étanche + asphalte bronze
	Extérieur	Chanvre étanche + plaque de zinc + peinture huileuse

### Remarque :

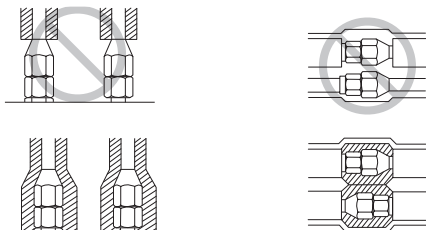
- Quand vous utilisez une couverture en polyéthylène, une toiture en asphalte n'est pas requise.
- Aucune isolation thermique ne doit être fournie pour les fils électriques.

[Fig. 10.4.2]



- (A) Tube de fluide
- (B) Tube de gaz
- (C) Fil électrique
- (D) Bande de finition
- (E) Isolateur

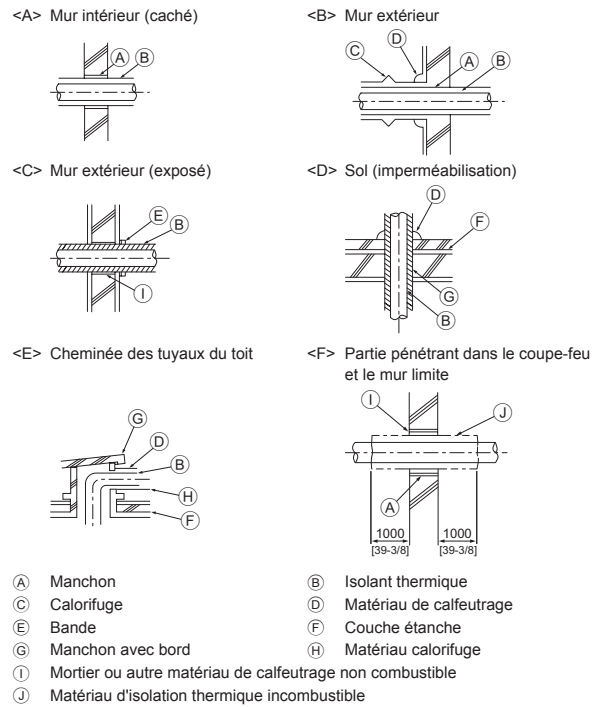
[Fig. 10.4.3]



## Pénétrations

[Fig. 10.4.4]

(Unité : mm [in])



- (A) Manchon
- (B) Isolant thermique
- (C) Calorifuge
- (D) Matériau de calfeutrage
- (E) Bande
- (F) Couche étanche
- (G) Manchon avec bord
- (H) Matériau calorifuge
- (I) Mortier ou autre matériau de calfeutrage non combustible
- (J) Matériau d'isolation thermique incombustible

Lors du remplissage d'un espace avec du mortier, recouvrez la partie encastrée à l'aide d'une plaque d'acier de sorte que l'isolant ne s'effondre pas. Pour cette partie, utilisez des matériaux ignifuges pour l'isolation et le revêtement. (Une bâche en vinyle ne doit pas être utilisée.)

- Les matériaux d'isolation pour les tubes devant être ajoutés sur le site doivent satisfaire les caractéristiques suivantes :

	Taille du tube	
	ø6,35 à 25,4 mm [1/4 à 1 in]	ø28,58 à 41,28 mm [1-1/8 à 1-21/32 in]
Épaisseur	10 mm min. [13/32 in min.]	15 mm min. [19/32 in min.]
Résistance à la température	100°C min. [212°F min.]	

\* L'installation des tubes dans un environnement à haute température et haute humidité, tel que l'étage supérieur d'un bâtiment, peut requérir l'utilisation de matériaux d'isolation plus épais que ceux qui sont spécifiés dans le diagramme ci-dessus.

\* Quand certaines caractéristiques présentées par le client doivent être satisfaites, assurez-vous qu'elles répondent également aux caractéristiques du diagramme ci-dessus.

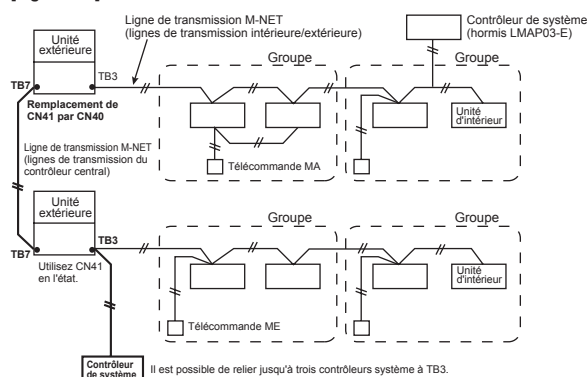
# 11. Câblage (pour les détails, reportez-vous au manuel d'installation de chaque unité intérieure/extérieure et du contrôleur)

## 11.1. Mise en garde

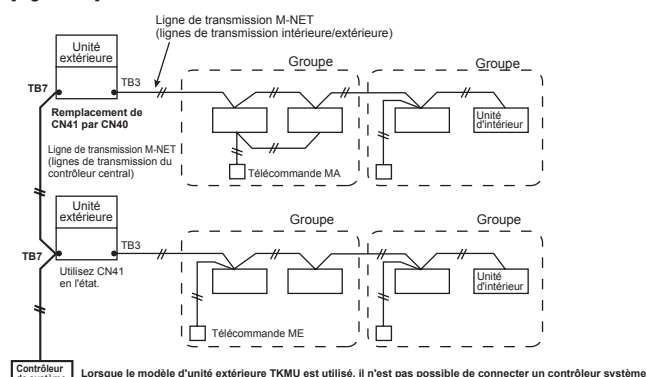
- ① Observez les règlements de votre organisation gouvernementale pour les normes techniques relatives aux équipements électriques, câblages et directives de chaque compagnie d'électricité.
- ② Le câblage des commandes (désigné ci-après sous le nom de ligne de transmission) doit être (de 5 cm ou plus [2 in ou plus]) séparé du câblage d'alimentation de sorte qu'il ne soit pas influencé par le bruit électrique du câblage d'alimentation (ne pas insérer une ligne de transmission et un câble d'alimentation dans le même conduit).
- ③ L'appareil extérieur doit être correctement relié à la terre.
- ④ Laissez une longueur de câble suffisante pour les câbles des boîtiers électriques des unités intérieures et extérieures car ces boîtiers peuvent être retirés lors des travaux d'entretien.
- ⑤ Ne connectez jamais la source principale d'alimentation au bloc de jonction de la ligne de transmission. En cas de connexion, les éléments électriques seront endommagés.
- ⑥ Utilisez un câble blindé à deux âmes pour la ligne de la transmission. Si les lignes de transmission de différents systèmes sont câblées avec le même câble à âmes multiples, la mauvaise transmission et réception qui en découle provoquera un mauvais fonctionnement des appareils.
- ⑦ Seule la ligne de transmission spécifiée doit être reliée aux bloc de jonction de la transmission de l'appareil extérieur. Une mauvaise connexion empêche le système de fonctionner.
- ⑧ Si vous connectez les unités extérieures avec un contrôleur système ou si vous exploitez plusieurs unités intérieures reliées à différentes unités extérieures, une ligne de transmission permettant un contrôle centralisé est requise. Si vous assurez un contrôle centralisé via une ligne de transmission, reliez la ligne de transmission (câble à 2 fils non polaire) à toutes les bornes TB7 situées entre toutes les unités extérieures.
- ⑨ La définition de la groupement se fait par le biais de la télécommande.

- Le boîtier de commande abrite des pièces à haute tension.
- En ouvrant ou en fermant le panneau avant du boîtier de commande, ne le laissez pas venir en contact avec des composants internes.
- Avant d'inspecter l'intérieur de la boîte de commande, coupez le courant, laissez l'unité hors circuit pendant au moins 10 minutes, et confirmez que la tension du condensateur (circuit principal de l'inverseur) chuté à 20 Vcc ou moins. (La décharge de l'électricité prend environ 10 minutes après la coupure du courant.)
- Le boîtier de commande contient des pièces soumises à des températures élevées. Soyez prudent, même après la mise hors tension de l'alimentation.
- Procédez à l'entretien après la déconnexion du connecteur du panneau du ventilateur (CNINV) et du connecteur du panneau de l'inverseur (CN1 ou CNFAN). (Pour brancher ou débrancher les connecteurs, vérifiez que le ventilateur de l'unité extérieure ne tourne pas et que la tension du condensateur du circuit principal est de 20 Vcc ou moins. Le condensateur peut collecter une charge et entraîner un choc électrique lorsque le ventilateur de l'unité extérieure fonctionne par temps venteux. Consultez la plaque signalétique du câblage pour plus de détails.)
- Pour connecter le câblage à TB7, vérifiez que la tension est de 20 Vcc ou moins.
- Reconnectez le connecteur (CNINV) au panneau du ventilateur et le connecteur (CN1 ou CNFAN) du panneau de l'inverseur après l'entretien.
- Si l'alimentation est activée, le compresseur est sous tension même s'il ne fonctionne pas.
  - Avant de mettre le système sous tension, débranchez tous les câbles d'alimentation du bornier du compresseur et mesurez la résistance d'isolation du compresseur.
  - Vérifiez que le compresseur est correctement mis à la terre. Si la résistance d'isolation ne dépasse pas 1,0 MΩ, connectez tous les câbles d'alimentation au compresseur et mettez l'unité extérieure sous tension. (Le frigorigène liquide du compresseur s'évapore lorsque le compresseur est alimenté.)
- Lorsque le contrôleur système est connecté à TB7 et que le modèle d'unité extérieure TKMU est utilisé, connectez un PAC-SC51KUA à TB7. Si vous ne pouvez pas utiliser de PAC-SC51KUA, reliez le contrôleur système à TB3.
  - Si le modèle d'unité extérieure YKMU est utilisé, le connecteur d'alimentation mâle peut être relié à CN40 et le contrôleur système peut être relié à TB7.
  - Lorsque le connecteur d'alimentation mâle relie l'unité extérieure TKMU à CN40, l'alimentation est fournie à TB7 même si l'alimentation principale de l'unité extérieure TKMU est désactivée et que le contrôleur système peut conserver une erreur dans l'historique des erreurs et émettre un signal d'alarme.
  - Si seules les unités LOSSNAY ou extérieures de différents circuits de frigorigène sont reliées à TB7, le connecteur d'alimentation mâle peut relier l'unité extérieure TKMU à CN40.
  - Il est possible de relier jusqu'à trois contrôleurs système à TB3.

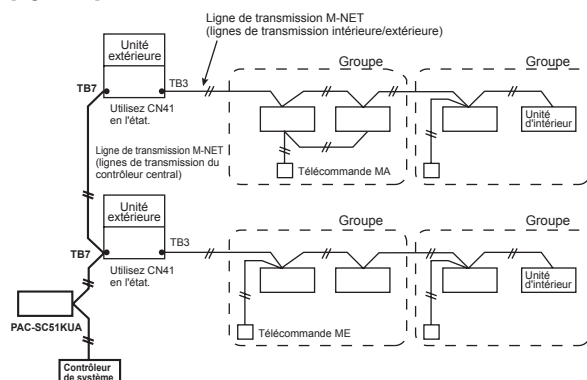
[Fig. 11.1.A]



[Fig. 11.1.B]



[Fig. 11.1.C]



## 11.2. Boîtier de commande et emplacement pour le raccordement des câbles

### ① Unité extérieure

1. Retirez le panneau avant du boîtier de commande en retirant les 4 vis et en le poussant légèrement vers le haut avant de le sortir.
2. Connectez la ligne de transmission intérieur - extérieur au bloc de jonction (TB3).  
Si plusieurs appareils extérieurs sont connectés au sein du même système frigorifique, connectez en série TB3 (borne M1, M2 et la borne de terre ⚡) sur les appareils extérieurs. Connectez la ligne de transmission intérieur-extérieur pour les unités extérieures à TB3 (borne M1, M2 et la borne de terre ⚡) de seulement l'une des unités extérieures.
3. Connectez les lignes de transmission pour la commande centralisée (entre le système de commande centralisée et l'appareil extérieur de différents systèmes frigorifiques) au bloc de jonction de la commande centralisée (TB7). Si plusieurs appareils extérieurs sont connectés au même système frigorifique, connectez en série TB7 (borne M1, M2, S) sur les appareils extérieurs. (\*1)

\*1 : Si TB7 sur l'unité extérieure au sein du même système frigorifique n'est pas connecté en série, connectez la ligne de transmission pour la commande centralisée à TB7 sur l'OC (\*2). Si l'OC est en panne, ou si la commande centralisée est exploitée pendant l'interruption d'alimentation, connectez en série le TB7 sur OC, OS1 et OS2 (au cas où l'unité extérieure dont le connecteur d'alimentation CN41 sur le panneau de commande a été remplacé par un CN40 est en panne ou l'alimentation

est coupée, la commande centralisée n'est pas exploitable, même lorsque le TB7 est connecté en série).

\*2 : OC, OS1 et OS2 des appareils extérieurs au sein du même système frigorifique sont automatiquement identifiés. Ils sont identifiés comme OC, OS1 et OS2 dans l'ordre décroissant de capacité (si la capacité est identique, ils sont classés dans l'ordre ascendant de leur numéro d'adresse).

4. Dans le cas de la ligne de transmission intérieur-extérieur, connectez le câble blindé de terre à la borne de terre  $\perp$ . Dans le cas de la ligne de transmission pour la commande centralisée, connectez-la à la borne blindée (S) sur le bloc de jonction pour la commande centralisée (TB7). En outre,

dans le cas des unités extérieures dont le connecteur d'alimentation CN41 a été remplacé par un CN40, court-circuitez la borne blindée (S) et la borne de terre  $\perp$ , en plus de ce qui précède.

5. Attachez solidement les fils connectés à l'aide de la sangle de câble en bas du bloc de jonction. La force externe appliquée au bloc de jonction peut l'endommager et provoquer un court-circuit, un défaut de mise à la terre ou un incendie.
6. Lors de l'extension de la ligne de transmission, veillez à prolonger le câble blindé également.

### [1] Pièces fournies

Cette unité comprend les pièces suivantes.

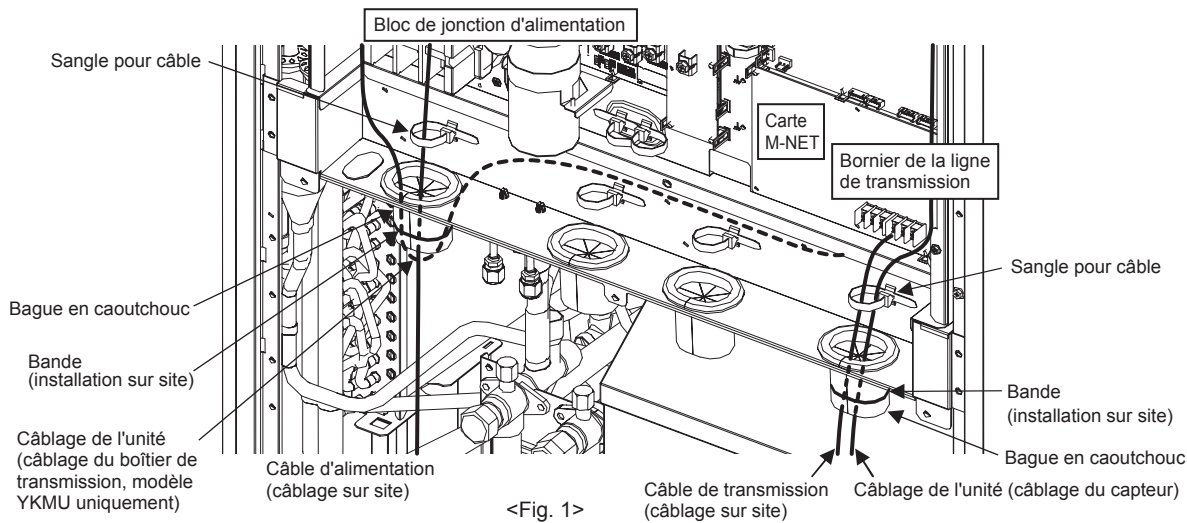
- ① Bande ... 2 pcs.

### [2] Préparation de l'installation

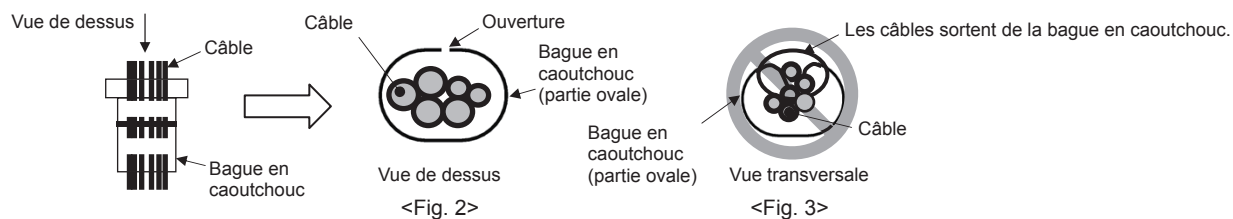
- Vérifiez que l'appareil extérieur est hors tension.
- Une fois l'alimentation principale coupée, laissez-la hors tension pendant au moins 10 minutes avant de poursuivre l'installation.

### [3] Installation

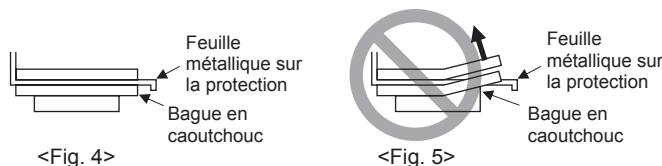
- (1) Enflez le câble d'alimentation dans la bague en caoutchouc sur le côté gauche. (Consultez la Fig. 1, remarques 1 et 2.)
- (2) Enflez le câblage de l'unité (câblage du capteur) et le câble de transmission dans la bague en caoutchouc sur le côté droit. (Consultez la Fig. 1, remarques 1 et 2.)
- (3) Maintenez le câble d'alimentation et le câble de transmission en place avec les sangles de câble. (Consultez la Fig. 1)
- (4) Connectez les câbles au bornier d'alimentation et au bornier de la ligne de transmission. (Consultez la Fig. 1)
- (5) Fixez chaque bague en caoutchouc avec la bande fournie. (Consultez la Fig. 1 et la remarque 3)



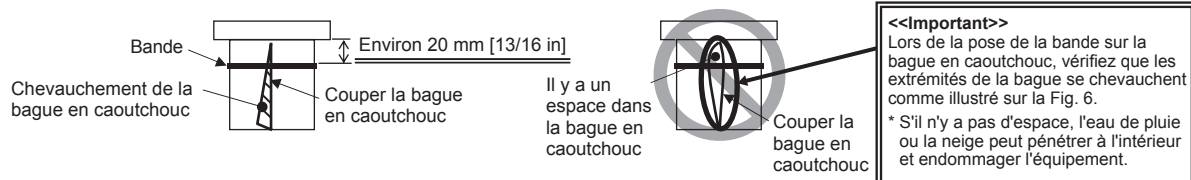
Remarque 1) Vérifiez que les câbles ne sortent pas de l'ouverture dans la bague en caoutchouc. (Fig. 2 et Fig. 3)



Remarque 2) Lors de l'enfilage du câblage à travers la bague en caoutchouc, vérifiez que la bague en caoutchouc ne sort pas de la feuille métallique sur la protection du boîtier de contrôle. (Fig. 4 et Fig. 5)



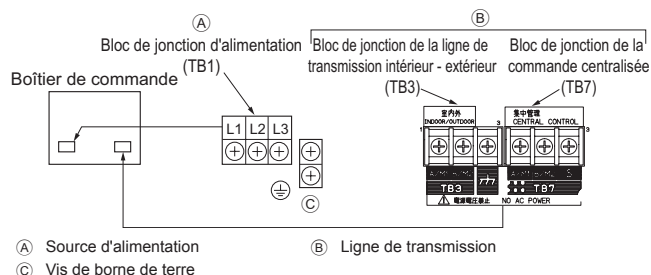
Remarque 3) Lors du serrage de la bande fournie autour de la bague en caoutchouc, veillez à ne pas laisser d'espace entre les extrémités. (Fig. 6 et Fig. 7)



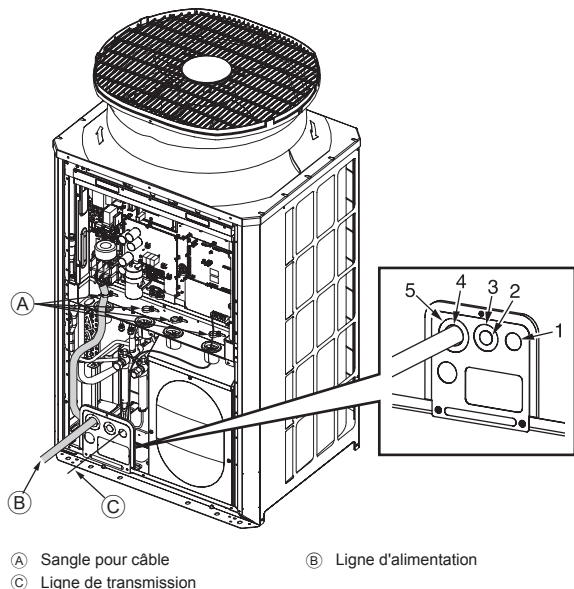
<Fig. 6: Partie arrière de la bague en caoutchouc>

<Fig. 7: Partie arrière de la bague en caoutchouc>

[Fig. 11.2.1]



[Fig. 11.2.2]



- Si vous utilisez un câble AWG 14, AWG 12 ou AWG 10, utilisez un orifice défonçable 2.
- Si vous utilisez un câble AWG 8 ou AWG 6, utilisez un orifice défonçable 4.
- Si vous utilisez un câble AWG 4, AWG 3 ou AWG 2, utilisez un orifice défonçable 3.
- Si vous utilisez un câble AWG 3/0, AWG 2/0 ou AWG 0, utilisez un orifice défonçable 5.
- En cas d'espace autour des câbles, veillez à le remplir d'un matériau approprié.

② Installation des conduits

- Ouvrez en martelant les orifices à dégager pour le conduit situé sur la base et la partie inférieure du panneau avant.
- Quand vous installez le conduit directement à travers l'orifice à dégager, retirez les ébarbures et protégez le tube à l'aide de bande-cache.
- Utilisez le conduit pour rétrécir l'orifice s'il est possible que des petits animaux pénètrent dans l'unité.
- Lorsque vous retirez le conduit de la partie inférieure de l'unité, calfeutrez autour du conduit pour éviter l'intrusion d'eau.



### 11.3. Raccordement des câbles de transmission

① Types de câbles de commande

1. Raccordement des câbles de transmission

- Types de câbles de transmission : Fil blindé CVVS, CPEVS ou MVVS
- Diamètre de câble : supérieur à 1,25 mm<sup>2</sup> [AWG 16]
- Longueur maximale de câblage : pas plus de 200 m [656 ft]
- Longueur maximale des lignes de transmission pour la commande centralisée et lignes de transmission intérieur/extérieur (longueur maximale par l'intermédiaire des unités extérieures) : 500 m [1.640 ft] maximum  
La longueur maximale du câblage entre le bloc d'alimentation pour des lignes de transmission (sur les lignes de transmission pour la commande centralisée) et chaque appareil extérieur et contrôleur de système est de 200 m [656 ft].

2. Câbles de la télécommande

• Télécommande M-NET

Type de câble de télécommande	Câble engainé à 2 âmes CVV (non blindé)
Diamètre du câble	0,3 à 1,25 mm <sup>2</sup> [AWG 22 à 16] (0,75 à 1,25 mm <sup>2</sup> [AWG 18 à 16])*
Remarques	Quand les 10 m [32 ft] sont dépassés, utilisez le câble avec les mêmes caractéristiques que 1. Raccordement des câbles de transmission.

• Télécommande MA

Type de câble de télécommande	Câble engainé à 2 âmes CVV (non blindé)
Diamètre du câble	0,3 à 1,25 mm <sup>2</sup> [AWG 22 à 16] (0,75 à 1,25 mm <sup>2</sup> [AWG 18 à 16])*
Remarques	À moins de 200 m [656 ft]

\* Connecté avec télécommande simple.

② Exemples de câblage

- Nom du contrôleur, symbole et nombre possible de contrôleurs.

	Nom	Code	Connexions d'appareils possibles
Appareil extérieur	Unité principale	OC	– (*2)
	Unité secondaire	OS1, OS2	– (*2)
Appareil intérieur	Contrôleur de l'appareil intérieur	IC	1 à 26 appareils pour 1 OC (*1)
Télécommande	Télécommande (*1)	RC	2 appareils maximum par groupe (*3)
Autre	Module élévateur du niveau des signaux de transmission	RP	0 à 1 appareil pour 1 OC (*1)

\*1 En fonction du nombre de contrôleurs d'appareils intérieurs raccordés, un module élévateur du niveau des signaux de transmission (RP) peut s'avérer nécessaire.

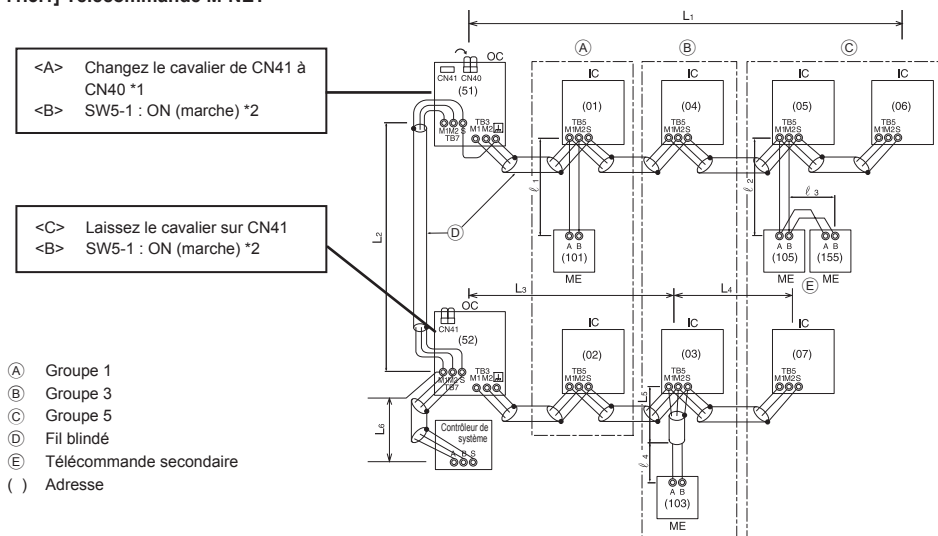
\*2 OC, OS1 et OS2 des appareils extérieurs dans le même système frigorifique sont automatiquement identifiés. Ils sont identifiés comme OC, OS1 et OS2 dans l'ordre décroissant de capacité. (Si la capacité est identique, ils sont classés dans l'ordre ascendant de leur numéro d'adresse.)

\*3 Lorsqu'un PAR-30MAAU est relié à un groupe, aucun autre contrôleur distant MA ne peut être connecté à ce groupe.

## Exemple de système d'exploitation avec plusieurs appareils extérieurs (il est nécessaire d'utiliser des câbles blindés et de définir les adresses).

<Exemples de câblage de transmission>

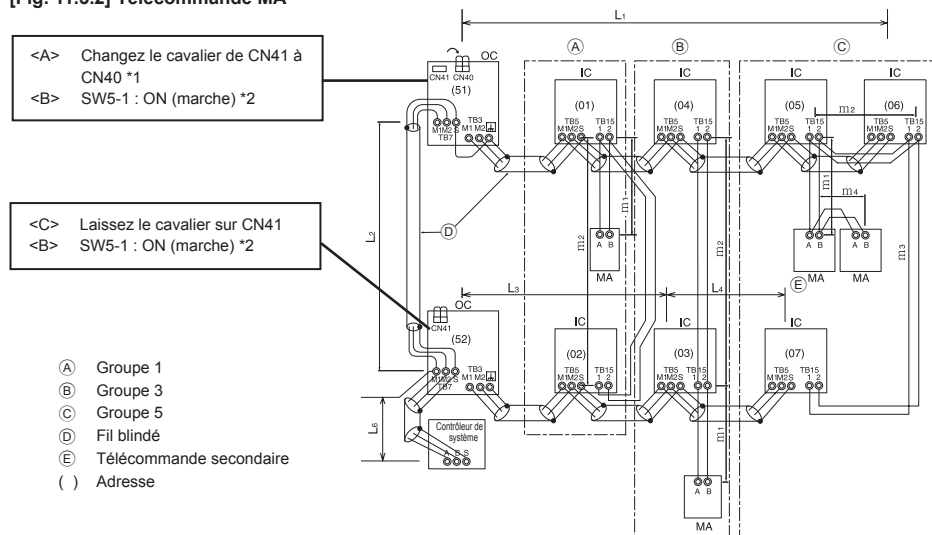
[Fig. 11.3.1] Télécommande M-NET



\*1 : Lorsque l'unité d'alimentation n'est pas connectée à la ligne de transmission pour permettre un contrôle centralisé, débranchez le connecteur d'alimentation mâle (CN41) d'UNE unité extérieure du système et reliez-le à CN40 (hormis modèle TKMU). Lorsque le contrôleur système est connecté à TB7 et que le modèle d'unité extérieure TKMU est utilisé, connectez un PAC-SC51KUA à TB7. Si vous ne pouvez pas utiliser de PAC-SC51KUA, reliez le contrôleur système à TB3. Il est possible de relier jusqu'à trois contrôleurs système à TB3.

\*2 : Si un contrôleur de système est utilisé, réglez SW5-1 sur tous les appareils extérieurs sur ON (marche).

[Fig. 11.3.2] Télécommande MA

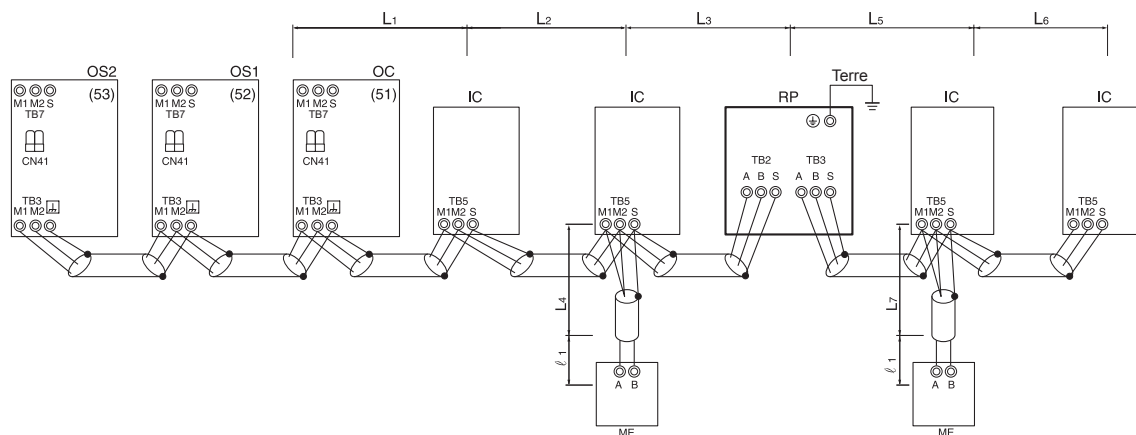


\*1 : Lorsque l'unité d'alimentation n'est pas connectée à la ligne de transmission pour permettre un contrôle centralisé, débranchez le connecteur d'alimentation mâle (CN41) d'UNE unité extérieure du système et reliez-le à CN40 (hormis modèle TKMU). Lorsque le contrôleur système est connecté à TB7 et que le modèle d'unité extérieure TKMU est utilisé, connectez un PAC-SC51KUA à TB7. Si vous ne pouvez pas utiliser de PAC-SC51KUA, reliez le contrôleur système à TB3. Il est possible de relier jusqu'à trois contrôleurs système à TB3.

\*2 : Si un contrôleur de système est utilisé, réglez SW5-1 sur tous les appareils extérieurs sur ON (marche).

\*3 : Lorsqu'un PAR-30MAAU est relié à un groupe, aucun autre contrôleur distant MA ne peut être connecté à ce groupe.

[Fig. 11.3.3] Combinaison d'appareils extérieurs et de module élévateur du niveau des signaux de transmission



<Méthode de câblage et définition des adresses>

- Utilisez toujours des câbles blindés pour effectuer les connexions entre l'appareil extérieur (OC) et l'appareil intérieur (IC), ainsi que pour les intervalles de câblage OC-OC, OC-OS, OS-OS et IC-IC.
  - Utilisez des câbles d'alimentation pour raccorder les bornes M1 et M2 et la borne de terre  $\perp$  du câble de transmission du bloc terminal (TB3) de chaque appareil extérieur (OC) aux bornes M1, M2 et S des câbles de transmission du bloc de l'appareil intérieur (IC). Pour OC et OS, connectez TB3 à TB3.
  - Raccordez les bornes 1 (M1) et 2 (M2) du bloc terminal des câbles de transmission de l'appareil intérieur (IC) qui possède l'adresse la plus récente au sein d'un même groupe au bloc terminal de la télécommande (RC).
  - Connectez ensemble les bornes M1, M2 et S du bloc terminal pour la commande centrale (TB7) de l'appareil extérieur (OC) dans un système frigorifique différent. Pour OC et OS dans le même système frigorifique, connectez TB7 à TB7.
  - Quand l'alimentation n'est pas installée sur la ligne de transmission de la commande centrale, changez le cavalier sur le panneau de commandes de CN41 à CN40 sur un seul appareil extérieur du système (hormis modèle TKMU). Lorsque le contrôleur système est connecté à TB7 et que le modèle d'unité extérieure TKMU est utilisé, connectez un PAC-SC51KUA à TB7. Si vous ne pouvez pas utiliser de PAC-SC51KUA, reliez le contrôleur système à TB3. Il est possible de relier jusqu'à trois contrôleurs système à TB3.
  - Sur l'appareil extérieur (OC) dans lequel le cavalier est inséré dans la borne CN40 (voir le point e ci-dessus), raccordez la borne S du bloc terminal pour la commande centrale (TB7) à la borne de terre  $\perp$  du boîtier des composants électriques.
  - Réglez le commutateur d'adresses comme indiqué ci-dessous.
- \* Pour régler l'adresse de l'appareil extérieur sur 100, le commutateur d'adresse extérieure doit se trouver sur 50.

Appareil	Plage	Méthode de réglage
Appareil intérieur (Principal)	01 à 50	Utilisez l'adresse la plus récente au sein du même groupe d'appareils intérieurs
Appareil intérieur (Secondaire)	01 à 50	Utilisez une adresse, autre que celle de IC (principale), parmi les unités d'un même groupe d'appareils intérieurs. Celle-ci doit se trouver en séquence avec IC (principale)
Appareil extérieur (OC, OS)	51 à 100	Réglez les adresses des appareils extérieurs du même système frigorifique dans l'ordre séquentiel des numéros. OC, OS1 et OS2 sont automatiquement identifiés. (*1)
M-NET R/C (principal)	101 à 150	Réglez sur une adresse IC (principale) au sein du même groupe plus 100
M-NET R/C (secondaire)	151 à 200	Réglez sur une adresse IC (principale) au sein du même groupe plus 150
MA R/C	-	Définition inutile d'adresse (définition principale/secondaire nécessaire) (*2)

\*1 OC, OS1 et OS2 des appareils extérieurs dans le même système frigorifique sont automatiquement identifiés. Ils sont identifiés comme OC, OS1 et OS2 dans l'ordre décroissant de capacité (si la capacité est identique, ils sont identifiés dans l'ordre ascendant de leur numéro d'adresse).

\*2 Lorsqu'un PAR-30MAAU est relié à un groupe, aucun autre contrôleur distant MA ne peut être connecté à ce groupe.

- Les opérations de réglage groupé pour des appareils intérieurs multiples s'effectuent par le biais de la télécommande (RC) après la mise sous tension.
- Quand la télécommande centralisée est connectée au système, réglez les commutateurs de commande centralisée (SW5-1) sur les panneaux de commandes de tous les appareils extérieurs (OC, OS1 et OS2) sur "ON" (marche).

<Longueurs possibles>

① **Télécommande M-NET [Fig. 11.3.1]**

- Longueur maxi par l'intermédiaire des appareils extérieurs :  $L_1+L_2+L_3+L_4$  et  $L_1+L_2+L_3+L_5$  et  $L_1+L_2+L_6 \leq 500$  m [1.640 ft] (1,25 mm<sup>2</sup> [AWG 16] ou plus)
- Longueur maxi du câble de transmission :  $L_1$  et  $L_3+L_4$  et  $L_3+L_5$  et  $L_6$  et  $L_2+L_6 \leq 200$  m [656 ft] (1,25 mm<sup>2</sup> [AWG 16] ou plus)
- Longueur du câble de télécommande :  $\ell_1, \ell_2, \ell_3, \ell_4 \leq 10$  m [32 ft] (0,3 à 1,25 mm<sup>2</sup> [AWG 22 à 16])  
Si la longueur excède 10 m [32 ft], utilisez un fil blindé de 1,25 mm<sup>2</sup> [AWG 16]. La longueur de cette section ( $L_8$ ) doit être incluse dans le calcul de la longueur maximale et de la longueur globale.

② **Télécommande MA [Fig. 11.3.2]**

- Longueur maxi par l'intermédiaire de l'appareil extérieur (câble M-NET) :  $L_1+L_2+L_3+L_4$  et  $L_1+L_2+L_6 \leq 500$  m [1.640 ft] (1,25 mm<sup>2</sup> [AWG 16] ou plus)
- Longueur maxi du câble de transmission (câble M-NET) :  $L_1$  et  $L_3+L_4$  et  $L_6$  et  $L_2+L_6 \leq 200$  m [656 ft] (1,25 mm<sup>2</sup> [AWG 16] ou plus)
- Longueur du câble de télécommande :  $m_1+m_2$  et  $m_1+m_2+m_3+m_4 \leq 200$  m [656 ft] (0,3 à 1,25 mm<sup>2</sup> [AWG 22 à 16])

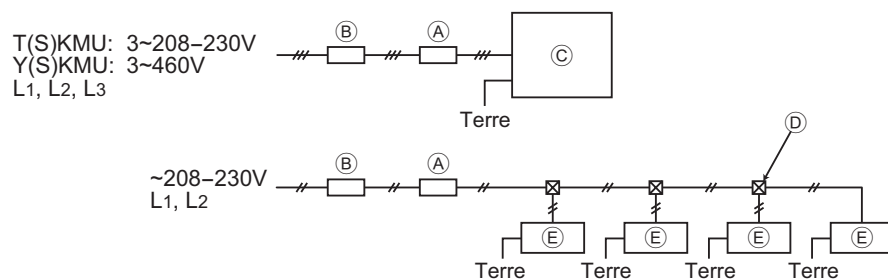
③ **Élévateur du niveau des signaux de transmission [Fig. 11.3.3]**

- Longueur maxi du câble de transmission (câble M-NET) : ①  $L_1+L_2+L_3+L_5+L_6 \leq 200$  m [656 ft] (1,25 mm<sup>2</sup> [AWG 16])  
②  $L_1+L_2+L_3+L_5+L_7 \leq 200$  m [656 ft] (1,25 mm<sup>2</sup> [AWG 16])  
③  $L_1+L_2+L_4 \leq 200$  m [656 ft] (1,25 mm<sup>2</sup> [AWG 16])  
④  $L_6+L_5+L_3+L_4, L_4+L_3+L_5+L_7 \leq 200$  m [656 ft] (1,25 mm<sup>2</sup> [AWG 16])
- Longueur du câble de télécommande :  $\ell_1, \ell_2 \leq 10$  m [32 ft] (0,3 à 1,25 mm<sup>2</sup> [AWG 22 à 16])  
Si la longueur excède 10 m [32 ft], utilisez un fil blindé de 1,25 mm<sup>2</sup> [AWG 16] et calculez la longueur de cette section ( $L_4$  et  $L_7$ ) au sein de la longueur maximale totale et de la longueur vers l'appareil le plus distant.

## 11.4. Câblage de l'alimentation principale et capacité des équipements

Schéma du câblage (exemple)

[Fig. 11.4.1]



- (A) Commutateur (disjoncteurs pour câblage et fuite de courant) (B) Disjoncteurs pour fuite de courant (C) Appareil extérieur  
 (D) Boîtier de traction (E) Appareil intérieur

### Épaisseur de câbles pour l'alimentation électrique principale, capacités Marche/Arrêt

<Source d'alimentation: 208/230V>

	Modèle	Unité combinée	Configuration recommandée					MCA (A)	MOCP (A)	
			Épaisseur minimale de câble (mm <sup>2</sup> [AWG])			Commutateur (A)	Disjoncteur max. (A)			Disjoncteur pour fuite de courant
			Câble principal	Dérivation	Terre					
Appareil extérieur	PUHY-P72TKMU-A(-BS)	-	5,3 [10]	-	5,3 [10]	30	30	30 A 30 mA ou 100 mA 0,1 sec. ou moins	25	42
	PUHY-P96TKMU-A(-BS)	-	8,4 [40]	-	8,4 [40]	40	40	40 A 30 mA ou 100 mA 0,1 sec. ou moins	34	57
	PUHY-P120TKMU-A(-BS)	-	13,3 [6]	-	13,3 [6]	50	50	50 A 100 mA 0,1 sec. ou moins	45	73
	PUHY-P144TKMU-A(-BS)	-	13,3 [6]	-	13,3 [6]	60	60	60 A 100 mA 0,1 sec. ou moins	53	88
	PUHY-P168TSKMU-A(-BS)	PUHY-P96TKMU-A(-BS)	8,4 [40]	-	8,4 [40]	40	40	40 A 30 mA ou 100 mA 0,1 sec. ou moins	34	57
	PUHY-P72TKMU-A(-BS)	PUHY-P72TKMU-A(-BS)	5,3 [10]	-	5,3 [10]	30	30	30 A 30 mA ou 100 mA 0,1 sec. ou moins	25	42
	PUHY-P192TSKMU-A(-BS)	PUHY-P120TKMU-A(-BS)	13,3 [6]	-	13,3 [6]	50	50	50 A 100 mA 0,1 sec. ou moins	45	73
	PUHY-P72TKMU-A(-BS)	PUHY-P72TKMU-A(-BS)	5,3 [10]	-	5,3 [10]	30	30	30 A 30 mA ou 100 mA 0,1 sec. ou moins	25	42
	PUHY-P216TSKMU-A(-BS)	PUHY-P120TKMU-A(-BS)	13,3 [6]	-	13,3 [6]	50	50	50 A 100 mA 0,1 sec. ou moins	45	73
	PUHY-P96TKMU-A(-BS)	PUHY-P96TKMU-A(-BS)	8,4 [40]	-	8,4 [40]	40	40	40 A 30 mA ou 100 mA 0,1 sec. ou moins	34	57
	PUHY-P240TSKMU-A(-BS)	PUHY-P120TKMU-A(-BS)	13,3 [6]	-	13,3 [6]	50	50	50 A 100 mA 0,1 sec. ou moins	45	73
	PUHY-P120TKMU-A(-BS)	PUHY-P120TKMU-A(-BS)	13,3 [6]	-	13,3 [6]	50	50	50 A 100 mA 0,1 sec. ou moins	45	73
	PUHY-P264TSKMU-A(-BS)	PUHY-P72TKMU-A(-BS)	5,3 [10]	-	5,3 [10]	30	30	30 A 30 mA ou 100 mA 0,1 sec. ou moins	25	42
	PUHY-P72TKMU-A(-BS)	PUHY-P72TKMU-A(-BS)	5,3 [10]	-	5,3 [10]	30	30	30 A 30 mA ou 100 mA 0,1 sec. ou moins	25	42
	PUHY-P120TKMU-A(-BS)	PUHY-P120TKMU-A(-BS)	13,3 [6]	-	13,3 [6]	50	50	50 A 100 mA 0,1 sec. ou moins	45	73
	PUHY-P288TSKMU-A(-BS)	PUHY-P96TKMU-A(-BS)	8,4 [40]	-	8,4 [40]	40	40	40 A 30 mA ou 100 mA 0,1 sec. ou moins	34	57
	PUHY-P72TKMU-A(-BS)	PUHY-P72TKMU-A(-BS)	5,3 [10]	-	5,3 [10]	30	30	30 A 30 mA ou 100 mA 0,1 sec. ou moins	25	42
	PUHY-P312TSKMU-A(-BS)	PUHY-P120TKMU-A(-BS)	13,3 [6]	-	13,3 [6]	50	50	50 A 100 mA 0,1 sec. ou moins	45	73
	PUHY-P72TKMU-A(-BS)	PUHY-P72TKMU-A(-BS)	5,3 [10]	-	5,3 [10]	30	30	30 A 30 mA ou 100 mA 0,1 sec. ou moins	25	42
	PUHY-P336TSKMU-A(-BS)	PUHY-P120TKMU-A(-BS)	13,3 [6]	-	13,3 [6]	50	50	50 A 100 mA 0,1 sec. ou moins	45	73
	PUHY-P96TKMU-A(-BS)	PUHY-P96TKMU-A(-BS)	8,4 [40]	-	8,4 [40]	40	40	40 A 30 mA ou 100 mA 0,1 sec. ou moins	34	57
	PUHY-P120TKMU-A(-BS)	PUHY-P120TKMU-A(-BS)	13,3 [6]	-	13,3 [6]	50	50	50 A 100 mA 0,1 sec. ou moins	45	73
	PUHY-P360TSKMU-A(-BS)	PUHY-P120TKMU-A(-BS)	13,3 [6]	-	13,3 [6]	50	50	50 A 100 mA 0,1 sec. ou moins	45	73
	PUHY-P120TKMU-A(-BS)	PUHY-P120TKMU-A(-BS)	13,3 [6]	-	13,3 [6]	50	50	50 A 100 mA 0,1 sec. ou moins	45	73



<Source d'alimentation: 460V>

	Modèle	Unité combinée	Configuration recommandée						MCA (A)	MOCP (A)
			Épaisseur minimale de câble (mm <sup>2</sup> [AWG])			Commutateur (A)	Disjoncteur max. (A)	Disjoncteur pour fuite de courant		
			Câble principal	Dérivation	Terre	Capacité				
Appareil extérieur	PUHY-P72YKMU-A(-BS)	-	2,1 [14]	-	2,1 [14]	15	15	15 A 30 mA ou 100 mA 0,1 sec. ou moins	12	19
	PUHY-P96YKMU-A(-BS)	-	3,3 [12]	-	3,3 [12]	20	20	20 A 30 mA ou 100 mA 0,1 sec. ou moins	15	26
	PUHY-P120YKMU-A(-BS)	-	5,3 [10]	-	5,3 [10]	25	25	25 A 30 mA ou 100 mA 0,1 sec. ou moins	20	33
	PUHY-P144YKMU-A(-BS)	-	5,3 [10]	-	5,3 [10]	30	30	30 A 30 mA ou 100 mA 0,1 sec. ou moins	24	40
	PUHY-P144YSKMU-A(-BS)	PUHY-P72YKMU-A(-BS)	2,1 [14]	-	2,1 [14]	15	15	15 A 30 mA ou 100 mA 0,1 sec. ou moins	12	19
		PUHY-P72YKMU-A(-BS)	2,1 [14]	-	2,1 [14]	15	15	15 A 30 mA ou 100 mA 0,1 sec. ou moins	12	19
	PUHY-P168YSKMU-A(-BS)	PUHY-P96YKMU-A(-BS)	3,3 [12]	-	3,3 [12]	20	20	20 A 30 mA ou 100 mA 0,1 sec. ou moins	15	26
		PUHY-P72YKMU-A(-BS)	2,1 [14]	-	2,1 [14]	15	15	15 A 30 mA ou 100 mA 0,1 sec. ou moins	12	19
	PUHY-P192YSKMU-A(-BS)	PUHY-P120YKMU-A(-BS)	5,3 [10]	-	5,3 [10]	25	25	25 A 30 mA ou 100 mA 0,1 sec. ou moins	20	33
		PUHY-P72YKMU-A(-BS)	2,1 [14]	-	2,1 [14]	15	15	15 A 30 mA ou 100 mA 0,1 sec. ou moins	12	19
	PUHY-P216YSKMU-A(-BS)	PUHY-P120YKMU-A(-BS)	5,3 [10]	-	5,3 [10]	25	25	25 A 30 mA ou 100 mA 0,1 sec. ou moins	20	33
		PUHY-P96YKMU-A(-BS)	3,3 [12]	-	3,3 [12]	20	20	20 A 30 mA ou 100 mA 0,1 sec. ou moins	15	26
	PUHY-P240YSKMU-A(-BS)	PUHY-P120YKMU-A(-BS)	5,3 [10]	-	5,3 [10]	25	25	25 A 30 mA ou 100 mA 0,1 sec. ou moins	20	33
		PUHY-P120YKMU-A(-BS)	5,3 [10]	-	5,3 [10]	25	25	25 A 30 mA ou 100 mA 0,1 sec. ou moins	20	33
	PUHY-P264YSKMU-A(-BS)	PUHY-P72YKMU-A(-BS)	2,1 [14]	-	2,1 [14]	15	15	15 A 30 mA ou 100 mA 0,1 sec. ou moins	12	19
		PUHY-P72YKMU-A(-BS)	2,1 [14]	-	2,1 [14]	15	15	15 A 30 mA ou 100 mA 0,1 sec. ou moins	12	19
	PUHY-P288YSKMU-A(-BS)	PUHY-P120YKMU-A(-BS)	5,3 [10]	-	5,3 [10]	25	25	25 A 30 mA ou 100 mA 0,1 sec. ou moins	20	33
		PUHY-P96YKMU-A(-BS)	3,3 [12]	-	3,3 [12]	20	20	20 A 30 mA ou 100 mA 0,1 sec. ou moins	15	26
	PUHY-P312YSKMU-A(-BS)	PUHY-P72YKMU-A(-BS)	2,1 [14]	-	2,1 [14]	15	15	15 A 30 mA ou 100 mA 0,1 sec. ou moins	12	19
		PUHY-P120YKMU-A(-BS)	5,3 [10]	-	5,3 [10]	25	25	25 A 30 mA ou 100 mA 0,1 sec. ou moins	20	33
	PUHY-P336YSKMU-A(-BS)	PUHY-P120YKMU-A(-BS)	5,3 [10]	-	5,3 [10]	25	25	25 A 30 mA ou 100 mA 0,1 sec. ou moins	20	33
		PUHY-P96YKMU-A(-BS)	3,3 [12]	-	3,3 [12]	20	20	20 A 30 mA ou 100 mA 0,1 sec. ou moins	15	26
	PUHY-P360YSKMU-A(-BS)	PUHY-P120YKMU-A(-BS)	5,3 [10]	-	5,3 [10]	25	25	25 A 30 mA ou 100 mA 0,1 sec. ou moins	20	33
		PUHY-P120YKMU-A(-BS)	5,3 [10]	-	5,3 [10]	25	25	25 A 30 mA ou 100 mA 0,1 sec. ou moins	20	33

1. Utilisez une alimentation séparée pour l'appareil extérieur et pour l'appareil intérieur. Assurez que l'OC et l'OS sont câblés individuellement.
2. Tenez toujours compte des conditions ambiantes (température ambiante, rayons solaires directs, pluie, etc.) lors du câblage et des raccordements.
3. Les dimensions des câbles données correspondent à la valeur minimum pour le câblage du conduit métallique. Si la tension chute, utilisez un câble qui a un diamètre plus épais. Vérifiez que le déséquilibre de tension entre les phases ne dépasse pas 2 %. Assurez-vous que la tension d'alimentation ne tombe pas de plus de 10 %.
4. Les conditions spécifiques de câblage doivent se conformer aux règlements de câblage locaux.
5. Les cordons d'alimentation des éléments des équipements utilisés à l'extérieur ne pourront pas répondre à des spécifications inférieures à celles du cordon souple gainé en polychloroprène (norme 245 IEC57). Par exemple, utilisez un câblage tel que le YZW.
6. Un commutateur avec une séparation de contact d'au moins 3 mm [1/8 in] dans chaque pôle doit être fourni par l'installateur du climatiseur.

**⚠ Avertissement :**

- Soyez sûr d'utiliser les câbles spécifiés pour les connexions et veillez à ce qu'aucune force externe ne soit transmise aux bornes de connexion. Si les connexions ne sont pas fermement réalisées, un échauffement ou un incendie peut en résulter.
- Soyez sûr d'utiliser le type approprié de commutateur de protection de surintensité. Notez que la surintensité produite peut inclure une certaine quantité de courant continu.

**⚠ Attention :**

- Les disjoncteurs de fuite usuelle doivent supporter un circuit d'inversion. (par exemple, de la gamme NV-C de Mitsubishi Electric ou équivalent). Si aucun disjoncteur de fuite à la terre n'est installé, il existe un risque de décharge électrique.
- Les disjoncteurs de fuite usuelle doivent support l'utilisation d'un commutateur.
- N'utilisez qu'un disjoncteur de la capacité appropriée. L'utilisation d'un disjoncteur d'une capacité trop importante peut entraîner un dysfonctionnement ou un incendie.
- Si un courant électrique important circule suite à un câblage défectueux ou erroné, les relais de courants de fuge sur le côté de l'unité et en aval du système d'alimentation peuvent s'activer.  
En fonction de l'importance du système, séparez le système d'alimentation ou coordonnez les disjoncteurs pour garantir la protection du système.

## 12. Essai de fonctionnement

### 12.1. Fonctionnement type d'une unité

#### Éléments à vérifier avant d'exécuter un test

- Mesurez la résistance d'isolation entre le bornier d'alimentation et la terre avec un ohmmètre de 500 V et vérifiez qu'il indique au moins 1,0 MΩ.
  - Si la résistance d'isolation ne dépasse pas 1,0 MΩ, mettez l'alimentation principale sous tension au niveau de l'unité et activez le compresseur pendant au moins 12 heures.

#### **Avertissement :**

- Le compresseur est activé lorsque l'alimentation principale sur l'unité est activée. N'oubliez pas de mettre hors tension avant de déconnecter le câble d'alimentation du compresseur du bornier pour mesurer la résistance d'isolation.**
- Si la résistance d'isolation ne dépasse pas 1,0 MΩ, ne mettez pas l'unité en marche.**
- Mettez sous tension au moins 12 heures avant d'exécuter un test.
  - Cette action active le compresseur et évapore le frigorigène dans le compresseur.

#### **Attention :**

- Une alimentation insuffisante peut endommager le compresseur.**

Les phénomènes répertoriés dans le tableau ci-dessous sont normaux ; ils ne constituent pas des problèmes de fonctionnement.

Phénomènes	Affichage sur la télécommande	Cause
Une unité intérieure spécifique n'exécute pas le refroidissement ou le chauffage.	<b>"Refroidissement" ou "Chauffage" clignote</b>	Lorsqu'une autre unité intérieure du système de frigorigène exécute le refroidissement ou le chauffage, le refroidissement ou le chauffage de l'unité intérieure concernée est désactivé.
Le papillon automatique peut changer automatiquement le sens de circulation de l'air.	<b>Affichage normal</b>	Le papillon automatique peut basculer automatiquement la circulation de l'air verticale sur la circulation de l'air horizontale en mode de refroidissement si la circulation de l'air verticale a été utilisée pendant 1 heure. Pendant le dégivrage en mode de chauffage ou immédiatement après la mise en route/l'arrêt du chauffage, le papillon automatique peut revenir en circulation de l'air horizontale pendant une courte période.
La vitesse du ventilateur change automatiquement pendant le chauffage.	<b>Affichage normal</b>	Le ventilateur fonctionne très lentement lorsque le thermostat est désactivé ; il bascule automatiquement sur la valeur prééglée via le minuteur ou la température du frigorigène lorsque le thermostat est désactivé.
Le ventilateur s'arrête pendant le chauffage.	<b>Affichage de dégivrage</b>	Le ventilateur doit être éteint lorsque l'unité est en mode de dégivrage.
Le ventilateur ne s'arrête pas si l'unité ne fonctionne pas.	<b>Aucun affichage</b>	En mode de chauffage, le ventilateur continue de tourner pendant 1 minute après l'arrêt pour évacuer la chaleur résiduelle.
Au démarrage en mode de chauffage, il est impossible de régler le ventilateur manuellement	<b>Chauffage prêt</b>	Le ventilateur fonctionne automatiquement en vitesse très lente pendant 5 minutes après la mise sous tension du système ou jusqu'à ce que la température du frigorigène atteigne 35°C [95°F]. Il fonctionne ensuite lentement pendant 2 minutes une fois la température recherchée atteinte.
La télécommande de l'unité intérieure affiche "H0" ou "PLEASE WAIT" pendant 5 minutes après la mise sous tension.	<b>"H0" ou "PLEASE WAIT" clignote</b>	Le système exécute la séquence de fonctionnement initiale. La télécommande sera encore opérationnelle lorsque "H0" ou "PLEASE WAIT" cessera de clignoter ou disparaîtra.
La pompe de drainage continue de fonctionner après l'arrêt de l'unité.	<b>Aucun affichage</b>	Après l'arrêt du refroidissement, l'unité continue de commander la pompe de drainage pendant 3 minutes, puis s'arrête. L'unité continue également de commander la pompe de drainage si le condensat a été généré.
L'unité intérieure émet un bruit en basculant du chauffage au refroidissement et inversement.	<b>Affichage normal</b>	Ce bruit indique que le circuit du frigorigène fonctionne correctement.
Immédiatement après la mise en route, l'unité intérieure émet le bruit de l'écoulement du frigorigène.	<b>Affichage normal</b>	L'écoulement instable du frigorigène émet un bruit. Ceci est provisoire et n'indique pas un problème.
De l'air chaud provient d'une unité intérieure qui n'exécute pas de chauffage.	<b>Affichage normal</b>	Le LEV est légèrement ouvert pour empêcher le frigorigène de l'unité intérieure n'exécutant pas le chauffage de se liquéfier. Ceci n'indique pas un problème.

## 12.2. Réglage des fonctions de l'unité extérieure

Vous pouvez régler les fonctions à l'aide des commutateurs SW4, SW6 et SWP01 sur le tableau de commande de l'unité extérieure.

- Pour paramétrer les fonctions, activez le 10e bit du commutateur SW6, puis réglez le commutateur SW4. Pour modifier le réglage, appuyez sur SWP01 pendant au moins deux secondes. Vous pouvez contrôler les paramètres des commutateurs sur LED3. (Le numéro de l'élément apparaît sur LED1.) Indiquez le réglage des commutateurs sur l'étiquette du schéma de câblage électrique sur le panneau du boîtier de commande pour pouvoir vous y référer ultérieurement lors du remplacement du panneau de commande.

<Liste des paramètres de réglage de SW4>

Élément	N° de réglage (*2)	Contenu du réglage	Réglage (affichage LED3 (*3))		SW4 0 : OFF, 1 : ON										SWP01
			OFF (éteint)	ON (allumé)	1	2	3	4	5	6	7	8	9	10	
Réglage (*1)	921	Affichage LED1	Celsius	Fahrenheit	1	0	0	1	1	0	0	1	1	1	(*4)
	933	Réglage du capteur de neige	N° 934 inefficace	N° 934 efficace	1	0	1	0	0	1	0	1	1	1	(*4)
	934	Réglage du capteur de neige	Fonctionnement continu du ventilateur	Fonctionnement intermittent du ventilateur	0	1	1	0	0	1	0	1	1	1	(*4)

\*1 Vérifiez sur LED3 que les commutateurs sont correctement réglés.

\*2 Modifiez les n° de réglage lorsque le 10e bit du commutateur SW6 est activé.

\*3 Clignote au démarrage du système.

\*4 Une fois le n° de réglage paramétré, appuyez sur SWP01 pendant au moins deux secondes.

<Liste des paramètres de réglage de SW6>

Élément	Commutateur	Contenu du réglage	Réglage SW6		Synchronisation du réglage des commutateurs
			OFF	ON	
Réglage	SW6-1	-	-	-	-
	SW6-2	-	-	-	-
	SW6-3	-	-	-	-
	SW6-4	Réglage de la pression statique élevée (choix du modèle d'unité)	Pression statique standard	Pression statique élevée	Avant la mise sous tension (*1)
	SW6-5	Réglage de la pression statique élevée (sélection de 60 Pa ou 30 Pa)	60 Pa	30 Pa	Avant la mise sous tension (*1)
	SW6-6	-	-	-	-
	SW6-7	Sélection du mode faible bruit	Priorité des performances	Priorité faible bruit	N'importe quand après la mise sous tension (*2)
	SW6-8	Sélection de Bruit faible ou À la demande	Faible bruit (nocturne)	À la demande	Avant la mise sous tension (*1)
	SW6-9	-	-	-	-
	SW6-10	Sélection de l'affichage du diagnostic ou du réglage des détails des fonctions	Affichage du diagnostic	Réglage des détails des fonctions	N'importe quand après la mise sous tension (*2)

\*1 Vous pouvez effectuer le réglage DIPSW avant de mettre l'unité sous tension.

\*2 Vous pouvez effectuer le réglage DIPSW à tout moment une fois l'unité sous tension.

Remarque :

- Ne modifiez pas les réglages usine des commutateurs SW5-3 à SW5-8.
- Sauf indication contraire, n'activez pas le commutateur portant l'indication " - " car ce réglage n'est pas anodin.

### 13. Informations de la plaque signalétique

Modèle	PUHY-P72TKMU-A(-BS)	PUHY-P96TKMU-A(-BS)	PUHY-P120TKMU-A(-BS)	PUHY-P144TKMU-A(-BS)	PUHY-P168TSKMU-A(-BS)		PUHY-P192TSKMU-A(-BS)	
Unité combinée	—	—	—	—	PUHY-P96TKMU-A(-BS)	PUHY-P72TKMU-A(-BS)	PUHY-P120TKMU-A(-BS)	PUHY-P72TKMU-A(-BS)
Frigorigène (R410A)	9,0 kg [19 LBS 13 oz]	11,5 kg [25 LBS 6 oz]	11,8 kg [26 LBS 1 oz]	11,8 kg [26 LBS 1 oz]	11,5 kg [25 LBS 6 oz]	9,0 kg [19 LBS 13 oz]	11,8 kg [26 LBS 1 oz]	9,0 kg [19 LBS 13 oz]
Pression autorisée (Ps)	HP: 4,15 MPa [601 psi], LP: 2,21 MPa [320 psi]							
Poids net	195 kg [430 LBS]	241 kg [532 LBS]	316 kg [697 LBS]	316 kg [697 LBS]	241 kg [532 LBS]	195 kg [430 LBS]	316 kg [697 LBS]	195 kg [430 LBS]

Modèle	PUHY-P216TSKMU-A(-BS)			PUHY-P240TSKMU-A(-BS)			PUHY-P264TSKMU-A(-BS)		
Unité combinée	PUHY-P120TKMU-A(-BS)	PUHY-P96TKMU-A(-BS)	PUHY-P120TKMU-A(-BS)	PUHY-P120TKMU-A(-BS)	PUHY-P120TKMU-A(-BS)	PUHY-P120TKMU-A(-BS)	PUHY-P72TKMU-A(-BS)	PUHY-P72TKMU-A(-BS)	
Frigorigène (R410A)	11,8 kg [26 LBS 1 oz]	11,5 kg [25 LBS 6 oz]	11,8 kg [26 LBS 1 oz]	11,8 kg [26 LBS 1 oz]	11,8 kg [26 LBS 1 oz]	11,8 kg [26 LBS 1 oz]	9,0 kg [19 LBS 13 oz]	9,0 kg [19 LBS 13 oz]	
Pression autorisée (Ps)	HP: 4,15 MPa [601 psi], LP: 2,21 MPa [320 psi]								
Poids net	316 kg [697 LBS]	241 kg [532 LBS]	316 kg [697 LBS]	316 kg [697 LBS]	316 kg [697 LBS]	316 kg [697 LBS]	195 kg [430 LBS]	195 kg [430 LBS]	

Modèle	PUHY-P288TSKMU-A(-BS)			PUHY-P312TSKMU-A(-BS)		
Unité combinée	PUHY-P120TKMU-A(-BS)	PUHY-P96TKMU-A(-BS)	PUHY-P72TKMU-A(-BS)	PUHY-P120TKMU-A(-BS)	PUHY-P120TKMU-A(-BS)	PUHY-P72TKMU-A(-BS)
Frigorigène (R410A)	11,8 kg [26 LBS 1 oz]	11,5 kg [25 LBS 6 oz]	9,0 kg [19 LBS 13 oz]	11,8 kg [26 LBS 1 oz]	11,8 kg [26 LBS 1 oz]	9,0 kg [19 LBS 13 oz]
Pression autorisée (Ps)	HP: 4,15 MPa [601 psi], LP: 2,21 MPa [320 psi]					
Poids net	316 kg [697 LBS]	241 kg [532 LBS]	195 kg [430 LBS]	316 kg [697 LBS]	316 kg [697 LBS]	195 kg [430 LBS]

Modèle	PUHY-P336TSKMU-A(-BS)			PUHY-P360TSKMU-A(-BS)		
Unité combinée	PUHY-P120TKMU-A(-BS)	PUHY-P120TKMU-A(-BS)	PUHY-P96TKMU-A(-BS)	PUHY-P120TKMU-A(-BS)	PUHY-P120TKMU-A(-BS)	PUHY-P120TKMU-A(-BS)
Frigorigène (R410A)	11,8 kg [26 LBS 1 oz]	11,8 kg [26 LBS 1 oz]	11,5 kg [25 LBS 6 oz]	11,8 kg [26 LBS 1 oz]	11,8 kg [26 LBS 1 oz]	11,8 kg [26 LBS 1 oz]
Pression autorisée (Ps)	HP: 4,15 MPa [601 psi], LP: 2,21 MPa [320 psi]					
Poids net	316 kg [697 LBS]	316 kg [697 LBS]	241 kg [532 LBS]	316 kg [697 LBS]	316 kg [697 LBS]	316 kg [697 LBS]

Modèle	PUHY-P72YKMU-A(-BS)	PUHY-P96YKMU-A(-BS)	PUHY-P120YKMU-A(-BS)	PUHY-P144YKMU-A(-BS)	PUHY-P144YSKMU-A(-BS)		PUHY-P168YSKMU-A(-BS)	
Unité combinée	—	—	—	—	PUHY-P72YKMU-A(-BS)	PUHY-P72YKMU-A(-BS)	PUHY-P96YKMU-A(-BS)	PUHY-P72YKMU-A(-BS)
Frigorigène (R410A)	9,0 kg [19 LBS 13 oz]	11,5 kg [25 LBS 6 oz]	11,8 kg [26 LBS 1 oz]	11,8 kg [26 LBS 1 oz]	9,0 kg [19 LBS 13 oz]	9,0 kg [19 LBS 13 oz]	11,5 kg [25 LBS 6 oz]	9,0 kg [19 LBS 13 oz]
Pression autorisée (Ps)	HP: 4,15 MPa [601 psi], LP: 2,21 MPa [320 psi]							
Poids net	210 kg [463 LBS]	253 kg [558 LBS]	329 kg [726 LBS]	329 kg [726 LBS]	210 kg [463 LBS]	210 kg [463 LBS]	253 kg [558 LBS]	210 kg [463 LBS]

Modèle	PUHY-P192YSKMU-A(-BS)		PUHY-P216YSKMU-A(-BS)		PUHY-P240YSKMU-A(-BS)	
Unité combinée	PUHY-P120YKMU-A(-BS)	PUHY-P72YKMU-A(-BS)	PUHY-P120YKMU-A(-BS)	PUHY-P96YKMU-A(-BS)	PUHY-P120YKMU-A(-BS)	PUHY-P120YKMU-A(-BS)
Frigorigène (R410A)	11,8 kg [26 LBS 1 oz]	9,0 kg [19 LBS 13 oz]	11,8 kg [26 LBS 1 oz]	11,5 kg [25 LBS 6 oz]	11,8 kg [26 LBS 1 oz]	11,8 kg [26 LBS 1 oz]
Pression autorisée (Ps)	HP: 4,15 MPa [601 psi], LP: 2,21 MPa [320 psi]					
Poids net	329 kg [726 LBS]	210 kg [463 LBS]	329 kg [726 LBS]	253 kg [558 LBS]	329 kg [726 LBS]	329 kg [726 LBS]

Modèle	PUHY-P264YSKMU-A(-BS)			PUHY-P288YSKMU-A(-BS)		
Unité combinée	PUHY-P120YKMU-A(-BS)	PUHY-P72YKMU-A(-BS)	PUHY-P72YKMU-A(-BS)	PUHY-P120YKMU-A(-BS)	PUHY-P96YKMU-A(-BS)	PUHY-P72YKMU-A(-BS)
Frigorigène (R410A)	11,8 kg [26 LBS 1 oz]	9,0 kg [19 LBS 13 oz]	9,0 kg [19 LBS 13 oz]	11,8 kg [26 LBS 1 oz]	11,5 kg [25 LBS 6 oz]	9,0 kg [19 LBS 13 oz]
Pression autorisée (Ps)	HP: 4,15 MPa [601 psi], LP: 2,21 MPa [320 psi]					
Poids net	329 kg [726 LBS]	210 kg [463 LBS]	210 kg [463 LBS]	329 kg [726 LBS]	253 kg [558 LBS]	210 kg [463 LBS]

Modèle	PUHY-P312YSKMU-A(-BS)			PUHY-P336YSKMU-A(-BS)		
Unité combinée	PUHY-P120YKMU-A(-BS)	PUHY-P120YKMU-A(-BS)	PUHY-P72YKMU-A(-BS)	PUHY-P120YKMU-A(-BS)	PUHY-P120YKMU-A(-BS)	PUHY-P96YKMU-A(-BS)
Frigorigène (R410A)	11,8 kg [26 LBS 1 oz]	11,8 kg [26 LBS 1 oz]	9,0 kg [19 LBS 13 oz]	11,8 kg [26 LBS 1 oz]	11,8 kg [26 LBS 1 oz]	11,5 kg [25 LBS 6 oz]
Pression autorisée (Ps)	HP: 4,15 MPa [601 psi], LP: 2,21 MPa [320 psi]					
Poids net	329 kg [726 LBS]	329 kg [726 LBS]	210 kg [463 LBS]	329 kg [726 LBS]	329 kg [726 LBS]	253 kg [558 LBS]

Modèle	PUHY-P360YSKMU-A(-BS)		
Unité combinée	PUHY-P120YKMU-A(-BS)	PUHY-P120YKMU-A(-BS)	PUHY-P120YKMU-A(-BS)
Frigorigène (R410A)	11,8 kg [26 LBS 1 oz]	11,8 kg [26 LBS 1 oz]	11,8 kg [26 LBS 1 oz]
Pression autorisée (Ps)	HP: 4,15 MPa [601 psi], LP: 2,21 MPa [320 psi]		
Poids net	329 kg [726 LBS]	329 kg [726 LBS]	329 kg [726 LBS]

L

# Contenido

1. Precauciones .....	53	10. Carga adicional de refrigerante .....	64
1.1. Antes de la instalación y de las conexiones eléctricas .....	53	10.1. Cálculo de la carga adicional de refrigerante .....	64
1.2. Precauciones para aparatos que utilizan refrigerante R410A .....	54	10.2. Precauciones relativas a la conexión de las tuberías y el funcionamiento de las válvulas .....	65
1.3. Antes de la instalación .....	54	10.3. Prueba de estanqueidad, vaciado y carga de refrigerante .....	67
1.4. Antes de la instalación (traslado) - trabajo eléctrico .....	54	10.4. Aislamiento térmico de los tubos de refrigerante .....	68
1.5. Antes de iniciar el funcionamiento de prueba .....	54	11. Cableado (Para información detallada, consulte el manual de instalación de cada unidad y controlador.) .....	69
2. Sobre el producto .....	55	11.1. Cuidado .....	69
3. Combinación de unidades exteriores .....	55	11.2. Caja de control y posición de conexión de los cables .....	69
4. Especificaciones .....	56	11.3. Tendido de cables de transmisión .....	71
5. Lista de partes incluidas .....	56	11.4. Cableado del suministro principal de energía y capacidad del equipo .....	74
6. Espacio requerido para la instalación y la operación de la unidad .....	57	12. Encendido de prueba .....	76
7. Transporte de la unidad .....	59	12.1. Operación de una unidad típica .....	76
8. Instalación de la unidad .....	59	12.2. Configuración de funcionamiento de la unidad exterior .....	77
8.1. Instalación .....	59	13. Información en la placa de potencias .....	78
9. Instalación de los tubos de refrigerante .....	60		
9.1. Cuidado .....	60		
9.2. Sistema de tubos de refrigerante .....	61		

## 1. Precauciones

### 1.1. Antes de la instalación y de las conexiones eléctricas

- ▶ Antes de instalar la unidad, asegúrese de haber leído el capítulo de "Precauciones".
- ▶ Las "Precauciones" señalan aspectos muy importantes sobre seguridad. Es importante que se cumplan todos.

#### Símbolos utilizados en el texto

##### Advertencia:

Describe precauciones que deben tenerse en cuenta para evitar el riesgo de lesiones o muerte del usuario.

##### Precaución:


Describe precauciones que deben tenerse en cuenta para evitar el riesgo de dañar la unidad.

#### Símbolos utilizados en las ilustraciones

 : Indica una acción que debe evitarse.

 : Indica que deben seguirse instrucciones importantes.

 : Indica una pieza que debe ir conectada a tierra.

 : Peligro de descarga eléctrica. (Este símbolo aparece en la etiqueta de la unidad principal.) <Color: amarillo>

-  **Advertencia:**  
Lea atentamente las etiquetas adheridas a la unidad principal.

#### ADVERTENCIA DE ALTO VOLTAJE:

- La caja de control incluye piezas con alto voltaje.
- Al abrir o cerrar el panel frontal de la caja de control, no permita que entre en contacto con ninguno de los componentes internos.
- Antes de inspeccionar el interior de la caja de control, desconecte la unidad, manténgala así durante al menos 10 minutos y compruebe que la tensión del condensador (circuito principal del inversor) haya bajado a 20 V CC o menos.  
(Tras desconectar la fuente de alimentación, la electricidad tarda unos 10 minutos en descargarse.)
- La caja de control incluye piezas con alta temperatura. Tenga cuidado incluso cuando ya se haya desconectado la alimentación.
- Realice las reparaciones tras haber desconectado el conector de la placa del ventilador (CNINV) y el conector de la placa del inversor (CN1 o CNFAN).  
Para enchufar o desenchufar los conectores, compruebe que el ventilador de la unidad exterior no esté girando y que la tensión del condensador en el circuito principal sea de 20 V CC o menos. El condensador podría cargarse y provocar una descarga eléctrica cuando el ventilador de la unidad exterior gira por acción del viento. Para más información, consulte la placa del cableado.
- Para conectar cables a TB7, compruebe que la tensión sea de 20 V CC o menos.
- Tras realizar las reparaciones, vuelva a conectar el condensador (CNINV) a la placa del ventilador y el condensador (CN1 o CNFAN) a la placa del inversor.

##### Advertencia:

- No utilice un refrigerante diferente del indicado en los manuales que se entregan con la unidad y en la placa de identificación.
  - Si lo hace, la unidad o las tuberías podrían explotar, o producirse una explosión o incendio durante su uso, reparación o en el momento de la eliminación de la unidad.
  - También podría suponer un quebrantamiento de la normativa aplicable.
  - MITSUBISHI ELECTRIC CORPORATION no es responsable de cualquier anomalía o accidente derivantes del uso del tipo de refrigerante equivocado.
- La instalación del aire acondicionado debe correr a cargo del distribuidor o de un técnico autorizado.

- Una instalación incorrecta realizada por el usuario puede provocar fugas de agua, descargas eléctricas o fuego.
- **Instale la unidad en un lugar resistente que pueda soportar su peso.**
  - De lo contrario, la unidad puede caerse y dañarse o causar heridas.
- **Utilice los cables especificados para la instalación eléctrica. Realice las conexiones asegurándose de que cualquier tracción de los cables no afectará a los terminales.**
  - La conexión y fijación inadecuadas pueden provocar calor y causar un incendio.
- **Prepare la zona contra fuertes rachas de viento y terremotos e instale la unidad en el lugar especificado.**
  - Si la unidad se instala incorrectamente, puede caerse y dañarse o causar heridas.
- **Utilice siempre los filtros y demás accesorios especificados por Mitsubishi Electric.**
  - Solicite a un técnico autorizado que instale los accesorios. Una instalación incorrecta realizada por el usuario puede provocar fugas de agua, descargas eléctricas o fuego.
- **No repare nunca la unidad. Si la unidad requiere reparación, avise a su distribuidor.**
  - Si la unidad se repara incorrectamente, pueden producirse fugas de agua, descargas eléctricas o fuego.
- **No toque las aletas del intercambiador de calor.**
  - Una manipulación incorrecta podría provocar lesiones.
- **Si hubiese alguna pérdida de gas refrigerante durante la instalación, ventile bien la habitación.**
  - Si el gas refrigerante entra en contacto con una llama se producirán gases tóxicos.
- **Instale el aire acondicionado según se indica en este manual de instalación.**
  - Si la unidad se instala de forma incorrecta, pueden producirse fugas de agua, descargas eléctricas o fuego.
- **Las conexiones eléctricas deberán ir a cargo de un electricista autorizado según las "Normas técnicas para instalaciones eléctricas" y las "Regulaciones de conexiones interiores", así como las instrucciones de este manual, y siempre con una fuente de alimentación dedicada.**
  - Si el amperaje de la fuente de alimentación es inadecuada o el tendido eléctrico es incorrecto, pueden producirse fugas de agua, descargas eléctricas o fuego.
- **Instale la tapa de terminales (panel) de la unidad exterior de forma segura.**
  - Si la tapa de terminales (panel) no se instala correctamente, pueden entrar polvo o agua en la unidad exterior provocando fuego o descargas eléctricas.
- **Cuando se instale o desplace el aire acondicionado a otro lugar, no lo cargue con un refrigerante distinto al especificado en la unidad.**
  - Si se mezcla un refrigerante distinto o aire con el refrigerante original, el ciclo de refrigeración funcionará mal y la unidad puede quedar dañada.
- **Si el aire acondicionado se instala en una habitación pequeña deberán tomarse medidas para prevenir que la concentración de refrigerante exceda los límites de seguridad incluso si hubiese fugas.**
  - Consulte al distribuidor respecto a las medidas adecuadas para evitar exceder los límites de seguridad. Si hubiese fuga de refrigerante y se excediese el límite de seguridad, puede haber peligro por pérdida de oxígeno en la habitación.
- **Cuando mueva o reinstale el acondicionador de aire, consulte con el distribuidor o con un técnico autorizado.**
  - Si el acondicionador de aire se instala incorrectamente, pueden producirse fugas de agua, descargas eléctricas o fuego.
- **Una vez finalizada la instalación asegúrese de que no hay fugas de gas.**
  - Si hay fugas de gas refrigerante y se exponen a un calefactor de aire, estufa, horno u otra fuente de calor, pueden producirse gases tóxicos.
- **No reconstruya ni cambie los ajustes de los dispositivos de protección.**
  - Si se cortocircuita o manipula a la fuerza el interruptor de presión, el interruptor térmico u otros dispositivos de protección, o si se utilizan piezas distintas a las especificadas por Mitsubishi Electric, puede producirse un incendio o explosión.

- Consulte con su proveedor cuando desee deshacerse de este producto.
- Las personas responsables de la instalación y del sistema deberán garantizar la seguridad frente al riesgo de posibles fugas de acuerdo con la normativa local.
  - El tamaño del cable y las capacidades del interruptor de la fuente de alimentación principal son aplicables si no hay regulaciones locales disponibles.
- Preste mucha atención al lugar, como por ejemplo la base, donde el gas refrigerante no pueda dispersarse en la atmósfera, ya que el refrigerante pesa más que el aire.
- En unidades exteriores que permiten la entrada de aire fresco en la unidad interior, el emplazamiento de instalación debe elegirse con cuidado, ya que el aire exterior puede fluir directamente en la habitación cuando el termostato está apagado.
  - La exposición directa al aire externo puede provocar efectos dañinos a las personas o comida.

## 1.2. Precauciones para aparatos que utilizan refrigerante R410A

### ⚠ Precaución:

- No utilice los tubos de refrigerante existentes.
  - El refrigerante antiguo y el aceite refrigerante en los tubos existentes contienen una gran cantidad de cloro que puede deteriorar el aceite refrigerador de la unidad nueva.
  - El R410A es un refrigerante de alta presión que puede causar que exploten las tuberías existentes.
- Utilice tubos de refrigerante de cobre fosforoso desoxidado y tubos y tuberías sin costuras de aleación de cobre. Por otro lado, asegúrese de que tanto la superficie interna de los tubos como la externa estén limpias y no contengan ninguna sustancia que pueda resultar peligrosa como, por ejemplo, azufre, óxido, suciedad, polvo, restos de metal, aceites, humedad o cualquier otro elemento contaminante.
  - Si entran sustancias contaminantes en el interior de los tubos de refrigerante, el aceite refrigerante residual se deteriorará.
- Guarde las tuberías que va a utilizar durante la instalación interior con los dos extremos sellados hasta justo antes de la soldadura. (Guarde los codos y las demás juntas en una bolsa de plástico.)
  - Si entra polvo, suciedad o agua en el ciclo del refrigerante, puede deteriorarse el aceite y fallar el compresor.
- Aplique una pequeña cantidad de aceite de éster, de aceite de éter o de alquilobenceno en las conexiones abocinadas. (Para la unidad interior)
  - Si se filtra una gran cantidad de aceite mineral, puede deteriorarse el aceite del refrigerador.
- Utilice líquido refrigerante para llenar el sistema.
  - Si se utiliza gas refrigerante para llenar el sistema, cambiará la composición del refrigerante en el cilindro y puede disminuir el rendimiento.
- No utilice un refrigerante distinto al R410A.
  - Si se mezcla otro refrigerante (R22, etc.) con el R410A, el cloro puede dañar el aceite refrigerador.
- Utilice una bomba de vacío con una válvula de retención.
  - El aceite de la bomba de vacío podría introducirse en el circuito del refrigerante y deteriorar el aceite refrigerador.
- No emplee las herramientas siguientes, que se utilizan con los refrigerantes convencionales. (Manómetro distribuidor, manguera de carga, detector de fugas, válvula de retención, base de carga del refrigerante, equipo de recuperación del refrigerante)
  - Si se mezcla refrigerante convencional o aceite refrigerador con el R410A, éste podría deteriorarse.
  - Si se mezcla agua con el R410A, el aceite refrigerador podría deteriorarse.
  - Los detectores de fugas de gas de los refrigerantes convencionales no reaccionan ante el R410A, porque éste no contiene cloro.
- No utilice cilindros de carga.
  - El refrigerante podría estropearse.
- Vaya con mucho cuidado al manejar las herramientas.
  - Si entra polvo, suciedad o agua en el ciclo del refrigerante, el refrigerante puede deteriorarse.

## 1.3. Antes de la instalación

### ⚠ Precaución:

- No instale la unidad en lugares donde puedan producirse fugas de gas.
  - Si hay pérdidas de gas y éste se acumula alrededor de la unidad, podría producirse una explosión.
- No utilice el aire acondicionado en lugares en los que se guarde comida, animales domésticos, plantas, instrumentos de precisión u obras de arte.
  - Podrían deteriorarse.
- No utilice el equipo de aire acondicionado en entornos especiales.
  - Aceite, vapor, gas sulfúrico, etc. pueden reducir de forma considerable el rendimiento del aparato o deteriorar sus piezas.
- Si instala la unidad en un hospital, una central de comunicaciones u otro lugar de características similares, proteja convenientemente el aparato para que no produzca ruido.
  - El equipo inversor, los generadores, el equipo médico de alta frecuencia o el de emisión de radio pueden provocar que el aparato funcione de forma errónea o que no funcione. A su vez, el aire acondicionado puede incidir en dicho equipo creando ruido que distorsione el tratamiento médico o la transmisión de la imagen.

- No instale la unidad sobre una estructura en la que puedan producirse fugas.
  - Cuando la humedad de la habitación supera el 80% o cuando la tubería de drenaje está obstruida, puede que la unidad interior gotee a causa de la condensación. En tal caso, drene las dos unidades conjuntamente como se indica.

## 1.4. Antes de la instalación (traslado) - trabajo eléctrico

### ⚠ Precaución:

- Conecte la unidad a tierra.
  - No conecte la toma de tierra a tuberías de gas o agua, a un pararrayos o cables del teléfono que vayan por el suelo. Una toma a tierra incorrecta puede producir descargas eléctricas.
- Instale el cable de alimentación de modo que no quede tenso.
  - Si está tenso, el cable puede romperse o calentarse hasta producir un incendio.
- Instale un disyuntor para el circuito de fugas para el inversor.
  - Si no se instala, pueden producirse descargas eléctricas.
- Utilice cables de alimentación de capacidad y gama de corriente adecuadas.
  - Si los cables son demasiado pequeños, pueden producirse fugas o pueden recalentarse y causar un incendio.
- Utilice un interruptor de circuito y un fusible exclusivamente de la capacidad indicada.
  - Un fusible o un disyuntor de mayor capacidad, o el uso de un cable sencillo de acero o cobre de reemplazo podrían provocar una avería general en la unidad o un incendio.
- Si hubiera una gran cantidad de corriente eléctrica por anomalías o un cableado defectuoso, podrían funcionar los dos disyuntores de fugas a tierra en el lado de la unidad y en el lado aguas arriba del sistema de alimentación.
 

Dependiendo de la importancia del sistema, separe el sistema de alimentación o realice una coordinación protectora de los disyuntores.
- No toque las piezas eléctricas sin guantes mientras la unidad está funcionando o inmediatamente después.
  - Podría quemarse.
- No lave las unidades de aire acondicionado con agua.
  - Si lo hace, podría producirse una descarga eléctrica.
- Compruebe que la plataforma de instalación no se haya deteriorado a causa de un uso prolongado.
  - Si no se arregla, la unidad podría caerse y producir daños personales o materiales.
- Instale las tuberías de drenaje como se indica en este Manual de instalación para asegurar un drenaje correcto. Forre las tuberías con un aislante térmico para evitar que se produzca condensación.
  - Las tuberías de drenaje inapropiadas pueden provocar pérdidas de agua, causando daños en los muebles y en otros accesorios.
- Tenga especial cuidado al transportar el producto.
  - Una persona sola no debe cargar con el producto. El producto pesa más de 20 kg [45LBS].
  - Algunos productos utilizan bandas de polipropileno (PP) para el empaquetado. No utilice estas bandas para transporte porque son peligrosas.
  - No toque las láminas del intercambiador térmico, ya que podría cortarse los dedos.
  - Cuando transporte la unidad exterior, sujétela en las posiciones especificadas en la base de la unidad. Además, fije la unidad exterior por cuatro puntos para que no resbale por un lado.
- Retire los materiales de embalaje de forma segura.
  - Los materiales de embalaje como clavos y otras piezas metálicas o de madera pueden producir cortes u otras heridas.
  - Rompa y tire a la basura las bolsas de plástico del embalaje, para que los niños no jueguen con ellas. Si los niños juegan con una bolsa de plástico que no haya sido rota, corren el riesgo de asfixiarse.
- Cuando se haya apagado la alimentación, el compresor sigue cargado aunque no esté funcionando.
  - Antes de conectar la unidad, desconecte todos los cables de alimentación del bloque de terminales del compresor y mida la resistencia de aislamiento del compresor.
  - Compruebe si el compresor tiene fallas a tierra. Si la resistencia de aislamiento es de 1,0 MΩ o inferior, conecte todos los cables de alimentación al compresor y encienda la unidad exterior. (El refrigerante líquido en el compresor cuando éste se cargue.)

## 1.5. Antes de iniciar el funcionamiento de prueba

### ⚠ Precaución:

- Conecte la corriente al menos 12 horas antes de que empiece a funcionar el equipo.
  - La puesta en funcionamiento inmediatamente después de encender el interruptor principal puede provocar daños irreversibles a las piezas internas. Mantenga la unidad conectada a la corriente durante la temporada de funcionamiento. Compruebe el orden de las fases de la fuente de alimentación, así como la tensión entre las fases.
- No toque los enchufes con los dedos mojados.
  - Si toca un interruptor con los dedos mojados, puede sufrir una descarga eléctrica.
- No toque las tuberías de refrigerante durante el funcionamiento e inmediatamente después de éste.
  - En esos momentos, las tuberías estarán frías o calientes, según la

- temperatura del refrigerante que pasa por ellas, el compresor y las demás piezas del circuito. Si toca las tuberías en tal estado, puede sufrir quemaduras o congelación en las manos.
- **No accione el equipo de aire acondicionado cuando se hayan extraído los paneles y las protecciones.**
    - Las piezas rotativas, calientes o con un alto voltaje podrían causar daños.
  - **No desconecte la corriente inmediatamente después de parar el funcionamiento del equipo.**
    - Espere siempre al menos 5 minutos antes de desconectar la alimentación. De lo contrario, pueden producirse pérdidas de agua de drenaje o un fallo mecánico en las piezas sensibles.

- **No toque la superficie del compresor durante el funcionamiento.**
  - Si la unidad está conectada a una fuente de alimentación y no funciona, el calentador del cigüeñal que se encuentra en la base del compresor puede estar aún en funcionamiento.

## 2. Sobre el producto

- Esta unidad usa el refrigerante de tipo R410A.
- Los sistemas de tuberías que usen el R410A pueden diferir del que usen los sistemas que emplean refrigerante convencional ya que la presión de diseño de los sistemas que usan el R410A es mayor. Consulte el Libro de Datos para más información.
- Algunas de las herramientas y del equipo usado para la instalación con los sistemas que usan otros tipos de refrigerante no pueden usarse con los sistemas que usen el R410A. Consulte el Libro de Datos para más información.
- No utilice las tuberías actuales puesto que contienen cloro del tipo que encontrará en el aceite y refrigerante de las máquinas refrigeradoras convencionales. Este cloro deteriorará el aceite de la máquina refrigerante del equipo nuevo. No deben usarse las tuberías actuales ya que la presión de diseño de los sistemas que usan el R410A es mayor que la de los sistemas que usan otros tipos de refrigerante y las tuberías actuales podrían explotar.

## 3. Combinación de unidades exteriores

A continuación se muestran las unidades componentes PUHY-P168 a P360.

Modelo de unidad exterior	Modelo de unidad componente		
PUHY-P72TKMU-A(-BS)	-	-	-
PUHY-P96TKMU-A(-BS)	-	-	-
PUHY-P120TKMU-A(-BS)	-	-	-
PUHY-P144TKMU-A(-BS)	-	-	-
PUHY-P168TSKMU-A(-BS)	PUHY-P96TKMU-A(-BS)	PUHY-P72TKMU-A(-BS)	-
PUHY-P192TSKMU-A(-BS)	PUHY-P120TKMU-A(-BS)	PUHY-P72TKMU-A(-BS)	-
PUHY-P216TSKMU-A(-BS)	PUHY-P120TKMU-A(-BS)	PUHY-P96TKMU-A(-BS)	-
PUHY-P240TSKMU-A(-BS)	PUHY-P120TKMU-A(-BS)	PUHY-P120TKMU-A(-BS)	-
PUHY-P264TSKMU-A(-BS)	PUHY-P120TKMU-A(-BS)	PUHY-P72TKMU-A(-BS)	PUHY-P72TKMU-A(-BS)
PUHY-P288TSKMU-A(-BS)	PUHY-P120TKMU-A(-BS)	PUHY-P96TKMU-A(-BS)	PUHY-P72TKMU-A(-BS)
PUHY-P312TSKMU-A(-BS)	PUHY-P120TKMU-A(-BS)	PUHY-P120TKMU-A(-BS)	PUHY-P72TKMU-A(-BS)
PUHY-P336TSKMU-A(-BS)	PUHY-P120TKMU-A(-BS)	PUHY-P120TKMU-A(-BS)	PUHY-P96TKMU-A(-BS)
PUHY-P360TSKMU-A(-BS)	PUHY-P120TKMU-A(-BS)	PUHY-P120TKMU-A(-BS)	PUHY-P120TKMU-A(-BS)

\* Del PUHY-P168 al P360TSKMU-A(-BS) necesitan del "Kit de Emparejamiento" para conectar los módulos componentes de la unidad en el campo.

Modelo de unidad exterior	Modelo de unidad componente		
PUHY-P72YKMU-A(-BS)	-	-	-
PUHY-P96YKMU-A(-BS)	-	-	-
PUHY-P120YKMU-A(-BS)	-	-	-
PUHY-P144YKMU-A(-BS)	-	-	-
PUHY-P144YSKMU-A(-BS)	PUHY-P72YKMU-A(-BS)	PUHY-P72YKMU-A(-BS)	-
PUHY-P168YSKMU-A(-BS)	PUHY-P96YKMU-A(-BS)	PUHY-P72YKMU-A(-BS)	-
PUHY-P192YSKMU-A(-BS)	PUHY-P120YKMU-A(-BS)	PUHY-P72YKMU-A(-BS)	-
PUHY-P216YSKMU-A(-BS)	PUHY-P120YKMU-A(-BS)	PUHY-P96YKMU-A(-BS)	-
PUHY-P240YSKMU-A(-BS)	PUHY-P120YKMU-A(-BS)	PUHY-P120YKMU-A(-BS)	-
PUHY-P264YSKMU-A(-BS)	PUHY-P120YKMU-A(-BS)	PUHY-P72YKMU-A(-BS)	PUHY-P72YKMU-A(-BS)
PUHY-P288YSKMU-A(-BS)	PUHY-P120YKMU-A(-BS)	PUHY-P96YKMU-A(-BS)	PUHY-P72YKMU-A(-BS)
PUHY-P312YSKMU-A(-BS)	PUHY-P120YKMU-A(-BS)	PUHY-P120YKMU-A(-BS)	PUHY-P72YKMU-A(-BS)
PUHY-P336YSKMU-A(-BS)	PUHY-P120YKMU-A(-BS)	PUHY-P120YKMU-A(-BS)	PUHY-P96YKMU-A(-BS)
PUHY-P360YSKMU-A(-BS)	PUHY-P120YKMU-A(-BS)	PUHY-P120YKMU-A(-BS)	PUHY-P120YKMU-A(-BS)

\* Del PUHY-P144 al P360YSKMU-A(-BS) necesitan del "Kit de Emparejamiento" para conectar los módulos componentes de la unidad en el campo.

## 4. Especificaciones

Modelo	PUHY-P72TKMU-A(-BS)	PUHY-P96TKMU-A(-BS)	PUHY-P120TKMU-A(-BS)	PUHY-P144TKMU-A(-BS)	-	PUHY-P168TKMU-A(-BS)	PUHY-P192TKMU-A(-BS)	PUHY-P216TKMU-A(-BS)
	PUHY-P72YKMU-A(-BS)	PUHY-P96YKMU-A(-BS)	PUHY-P120YKMU-A(-BS)	PUHY-P144YKMU-A(-BS)	PUHY-P144YSKMU-A(-BS)	PUHY-P168YSKMU-A(-BS)	PUHY-P192YSKMU-A(-BS)	PUHY-P216YSKMU-A(-BS)
Nivel de ruido (60Hz)	58dB<A>	58dB<A>	60dB<A>	61dB<A>	61dB<A>	61dB<A>	62,5dB<A>	62,5dB<A>
Presión estática externa	0 Pa <sup>2</sup>							
Unidades interiores	Capacidad total	50 ~ 130 % <sup>1</sup>						
	Modelo	06 ~ 96						
	Cantidad	1 ~ 15	1 ~ 20	1 ~ 26	1 ~ 31	1 ~ 31	1 ~ 36	1 ~ 41
Temperatura de funcionamiento	Tipo estándar	Modo refrigeración: - 5°CDB ~ 46°CDB [23°FDB ~ 115°FDB]						
		Modo calefacción: - 20°CWB ~ 15,5°CWB [- 4°FWB ~ 60°FWB]						
	Tipo de entrada de aire fresco	Modo refrigeración: 21°CDB/15,5°CWB ~ 46°CDB/35°CWB (70°FDB/60°FWB ~ 115°FDB/95°FWB)						
		Modo calefacción: - 10°CDB ~ 20°CDB [14°FDB ~ 68°FDB]						

Modelo	PUHY-P240TSKMU-A(-BS)	PUHY-P264TSKMU-A(-BS)	PUHY-P288TSKMU-A(-BS)	PUHY-P312TSKMU-A(-BS)	PUHY-P336TSKMU-A(-BS)	PUHY-P360TSKMU-A(-BS)
	PUHY-P240YSKMU-A(-BS)	PUHY-P264YSKMU-A(-BS)	PUHY-P288YSKMU-A(-BS)	PUHY-P312YSKMU-A(-BS)	PUHY-P336YSKMU-A(-BS)	PUHY-P360YSKMU-A(-BS)
Nivel de ruido (60Hz)	63dB<A>	63,5dB<A>	64dB<A>	64,5dB<A>	64,5dB<A>	65dB<A>
Presión estática externa	0 Pa <sup>2</sup>					
Unidades interiores	Capacidad total	50 ~ 130 % <sup>1</sup>				
	Modelo	06 ~ 96				
	Cantidad	2 ~ 50	2 ~ 50	2 ~ 50	2 ~ 50	2 ~ 50
Temperatura de funcionamiento	Tipo estándar	Modo refrigeración: - 5°CDB ~ 46°CDB [23°FDB ~ 115°FDB]				
		Modo calefacción: - 20°CWB ~ 15,5°CWB [- 4°FWB ~ 60°FWB]				
	Tipo de entrada de aire fresco	Modo refrigeración: 21°CDB/15,5°CWB ~ 46°CDB/35°CWB (70°FDB/60°FWB ~ 115°FDB/95°FWB)				
		Modo calefacción: - 10°CDB ~ 20°CDB [14°FDB ~ 68°FDB]				

\*1: La capacidad total de unidades interiores que funcionan simultáneamente es del 130% o menos.

\*2: Para permitir una alta presión estática, ajuste el interruptor DIP del panel principal del siguiente modo.

Int. 6-4: ON, int. 6-5, compatible con 60Pa: OFF, compatible con 30Pa: ON

## 5. Lista de partes incluidas

		Adaptador <Verifique el acoplamiento>	Banda
Modelo	P72	2 piezas	2 piezas
	P96	2 piezas	2 piezas
	P120	2 piezas	2 piezas
	P144	2 piezas	2 piezas



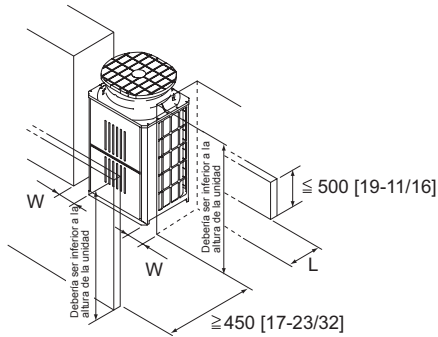
## 6. Espacio requerido para la instalación y la operación de la unidad

### ① En caso de instalación única

- Deje espacio suficiente alrededor de la unidad, como se indica en la figura.
- Si la altura de la pared supera el límite de altura, amplíe el espacio "L" y "W" con la cantidad que supera el límite (<math>h</math> en la imagen).

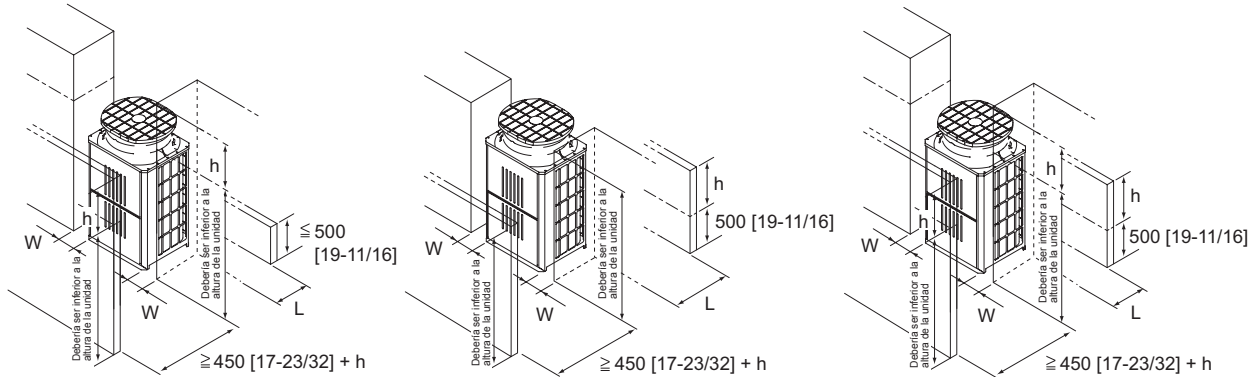
[Fig. 6.0.1]

#### (1) Las paredes son inferiores al límite de altura.



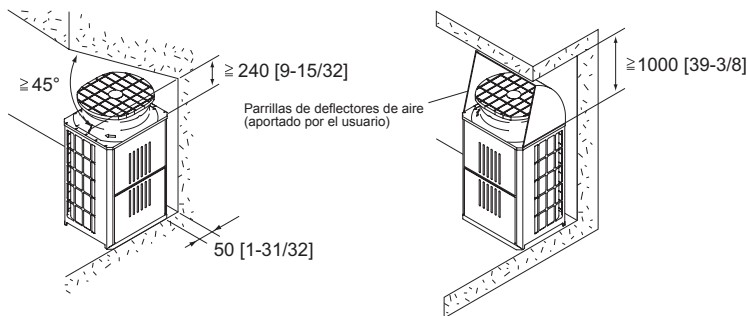
Condición	L	W
Espacio mínimo detrás de la unidad	$\geq 100$ [3-15/16]	$\geq 50$ [1-31/32]
Espacio mínimo a ambos lados de la unidad	$\geq 300$ [11-13/16]	$\geq 15$ [19/32]

#### (2) Si la altura de la pared (H) en la parte frontal, posterior o lateral excede el límite



Condición	L	W
Espacio mínimo detrás de la unidad	$\geq 100$ [3-15/16] + h	$\geq 50$ [1-31/32] + h
Espacio mínimo a ambos lados de la unidad	$\geq 300$ [11-13/16] + h	$\geq 15$ [19/32] + h

#### (3) Si hay obstáculos en la parte superior de la unidad



(Unidad: mm [pulg.])

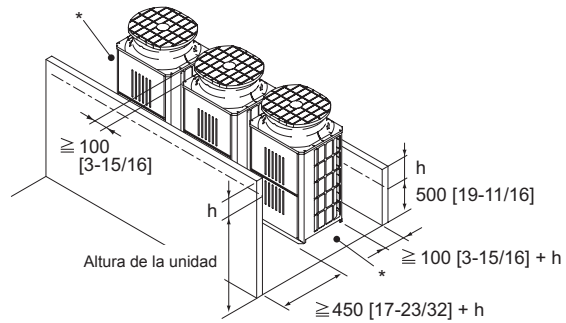
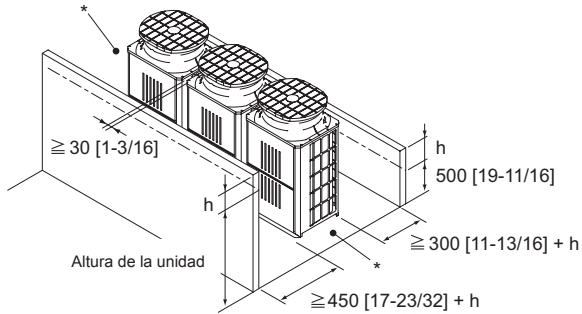
② **En caso de instalación colectiva y de instalación continua**

- Cuando se instalan varias unidades adyacentes, asegúrese de dejar suficiente espacio para permitir la circulación de aire entre los grupos de unidades, tal y como se muestra en las imágenes.  
\* Deje espacio a ambos lados de cada grupo de unidades.
- Al igual que en la instalación de una sola unidad, si la altura de la pared supera el límite de altura, amplíe el espacio en la parte delantera y trasera de un determinado grupo de unidades con la cantidad que supera el límite (<math>h</math> en la imagen).
- Si hay una pared tanto en la parte delantera como trasera de la unidad, instale hasta seis unidades (tres unidades: P120, 144) consecutivas de manera lateral y deje un espacio de al menos 1000 mm como espacio de entrada/paso para cada una de las seis unidades (tres unidades: P120, 144).

[Fig. 6.0.2]

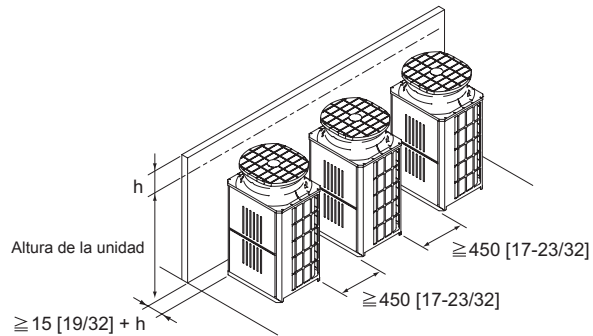
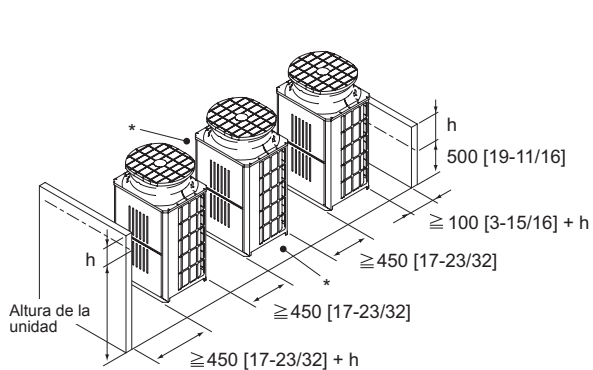
(1) **Instalación en paralelo**

<El espacio a ambos lados de un determinado grupo de unidades es mínimo.> <El espacio a ambos lados de un determinado grupo de unidades es mínimo.>



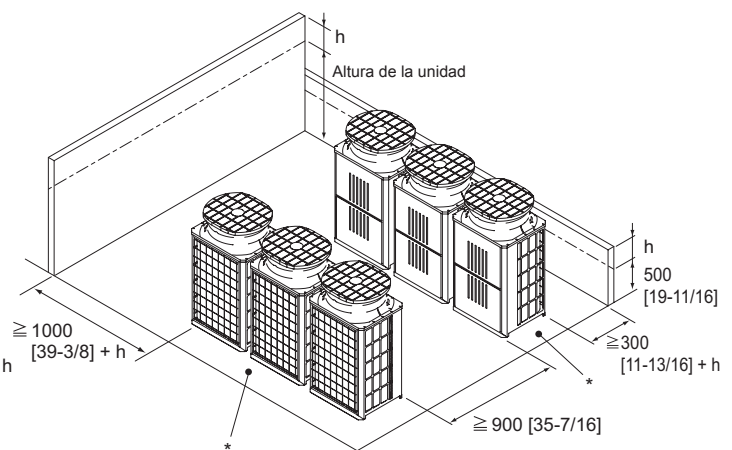
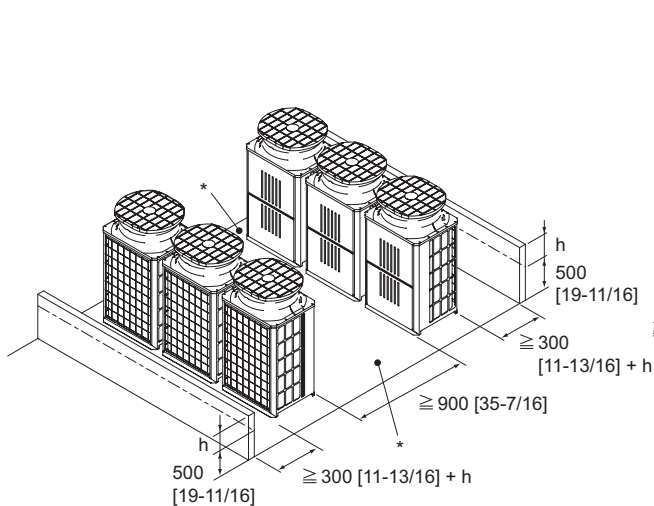
(2) **Instalación frontal**

<Hay paredes en la parte delantera y trasera de un determinado grupo de unidades.> <Hay una pared en un lateral.>



(3) **Combinación de instalaciones frontal y paralela**

<Hay paredes en la parte delantera y trasera de un determinado grupo de unidades.> <Hay una pared en un lateral y bien en la parte delantera o trasera de un determinado grupo de unidades.>

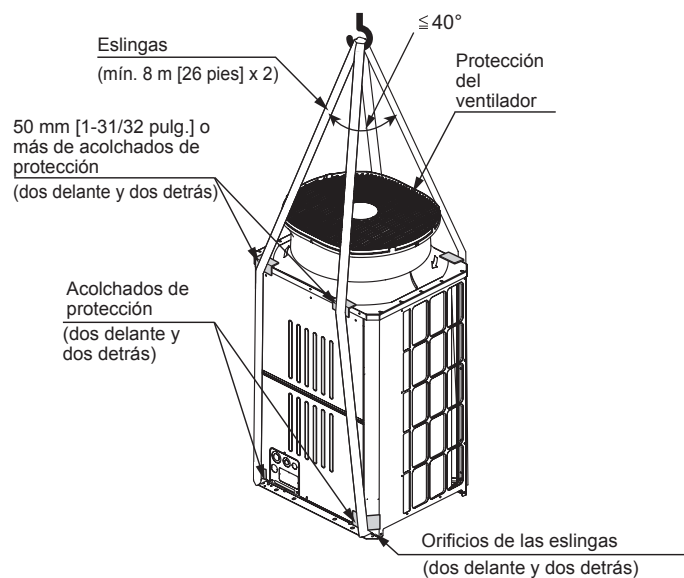


(Unidad: mm [pulg.])

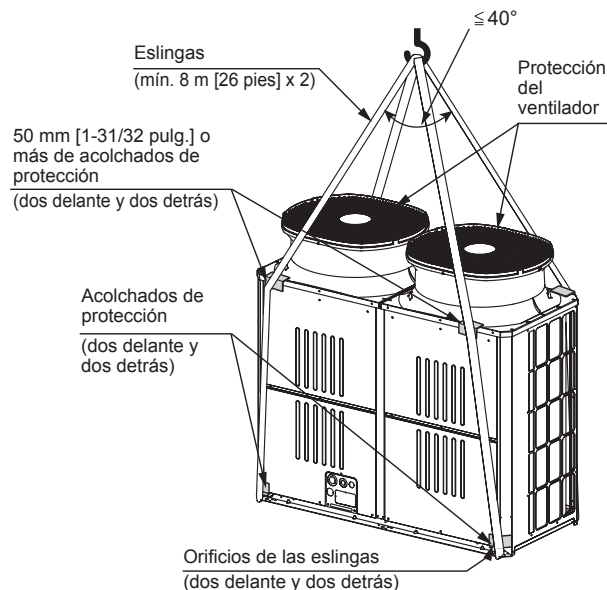
## 7. Transporte de la unidad

[Fig. 7.0.1]

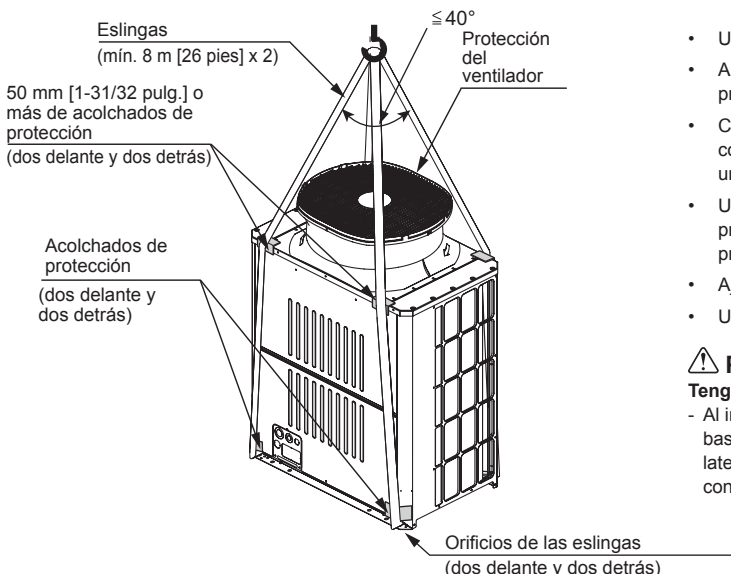
① P72



③ P120, P144



② P96



- Use cuerdas de suspensión que resistan el peso de la unidad.
- Al trasladar la unidad, utilice una **suspensión de 4 puntos** y evite que se produzcan impactos en la unidad (no utilice una **suspensión de 2 puntos**).
- Coloque acolchados de protección en las zonas de la unidad que tengan contacto con las cuerdas para evitar que se produzcan arañazos en la unidad.
- Utilice un cartón o trapo de 50 mm [1-31/32 pulg.] o más como acolchado de protección en la parte superior de la unidad para evitar el contacto entre la protección del ventilador y las eslingas.
- Ajuste el ángulo de izado a 40° o menos.
- Utilice 2 cuerdas que tengan más de 8 m [26 pies] cada una.

### ⚠ Precaución:

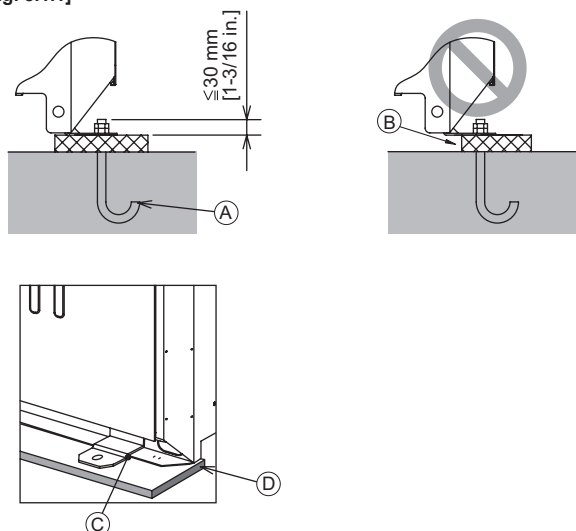
**Tenga mucho cuidado al transportar/trasladar el producto.**

- Al instalar la unidad exterior, elévela en la ubicación especificada de la base de la unidad. Estabilízela lo máximo posible para que no se mueva lateralmente y llévela sujeta en 4 puntos. Si la unidad se instala o suspende con un apoyo de 3 puntos, puede volverse inestable y caerse.

## 8. Instalación de la unidad

### 8.1. Instalación

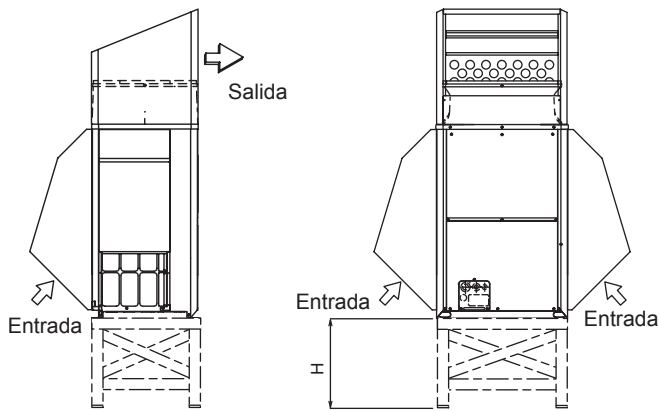
[Fig. 8.1.1]



- (A) Perno de anclaje M10 adquirido en el emplazamiento.
- (B) No está asentada la esquina.
- (C) Soporte de fijación para el perno de anclaje con orificios (3 puntos para fijar con tornillos)
- (D) Goma antivibración  
Instálela de manera que cubra todo el ancho de la pata de la unidad.

- Fije la unidad firmemente con pernos para que no se caiga en el caso de un terremoto o de un viento fuerte.
- Utilice hormigón o un soporte angular como base de fijación de la unidad.
- La vibración de la unidad puede transmitirse a la zona de instalación produciendo ruido y vibraciones en suelo y paredes según el tipo de instalación. Por ello deben incluirse aislamiento contra vibraciones (marcos o topes de caucho, etc.).
- Realice la obra de base de modo que la esquina de la pata de instalación esté firmemente asentada, como se muestra en la figura. (Fig. 8.1.1) Si utiliza un recubrimiento aislante de goma, asegúrese de que sea lo bastante grande como para cubrir todo el ancho de cada una de las patas de la unidad. Si las esquinas no están bien asentadas, los pies de la instalación podrían doblarse.
- Cuando utilice cojines, asegúrese de que cubran la totalmente la anchura de la unidad.
- La parte sobresaliente del perno de anclaje debe ser inferior a 30 mm [1-3/16 pulg.].
- Los pernos de anclaje huecos no son compatibles con este producto. No obstante, se pueden utilizar pernos de anclaje huecos si se montan soportes de fijación en los 4 puntos de la pieza de sujeción de la unidad (6 puntos: P120, 144).

[Fig. 8.1.2]



- En ambientes anormalmente rigurosos tales como áreas frías y/o ventosas, se deben tomar las suficientes contramedidas para resguardar contra el viento excesivo y la nieve, con la finalidad de asegurar la operación correcta de la unidad. Cuando se anticipa que la unidad va a funcionar en el modo de enfriamiento en condiciones por debajo de 10°C [50°F], en áreas nevosas, en ambientes sujetos a vientos fuertes de lluvia, instale los ductos de entrada y salida de aire según las indicaciones mostradas en la [Figura.8.1.2].

**Nota:**

- Para la prevención de daños por nieve, la altura (H) de la base del armazón deberá ser dos veces más alta que la altura de las nevadas previstas. El ancho de la base del armazón no deberá exceder el de la unidad. La base del armazón deberá estar confeccionada de ángulos de acero, etc., y diseñada de modo que la nieve y el viento se deslicen a través de la estructura. (Si la base del armazón es demasiado ancha, la nieve se puede acumular en ella.)
- Instale la unidad de modo que el viento no azote directamente contra las aberturas de los ductos de entrada y salida.
- Construya la base del armazón del cliente refiriéndose a esta figura.  
Material: Placa de acero galvanizado 1.2T  
Pintura: Pintura total con polvo de poliéster  
Color: Munsell 5Y8/1 (igual que el de la unidad)
- Si la unidad es utilizada en una región fría y la operación de calefacción es realizada continuamente durante mucho tiempo cuando la temperatura del aire exterior está por debajo de la temperatura de congelamiento, instale un calentador a la base de la unidad o tome otras medidas apropiadas para evitar que el agua se congele en la base.

**Advertencia:**

- Asegúrese de instalar la unidad en un lugar lo suficientemente resistente para aguantar el peso. Cualquier escasez de resistencia puede provocar la caída de la unidad con riesgo de lesiones personales.
- Procure que la instalación quede bien protegida contra fuertes vientos o terremotos. Cualquier deficiencia de la instalación puede provocar la caída de la unidad con riesgo de lesiones personales.

Cuando construya la base de hormigón, preste atención a la resistencia del suelo, a la posibilidad de eliminación del agua de drenaje <durante el funcionamiento sale agua de drenaje de la unidad> y al trazado de los tubos y de los cables.

**Precauciones a la hora de tender cables y colocar tubos debajo de la unidad**  
Cuando tienda cables o coloque tubos debajo de la unidad, asegúrese de que la obra de base no bloquee los orificios de paso de la base. Asegúrese también de que la base tenga una altura mínima de 100 mm [3-15/16 pulg.] para que los tubos puedan pasar por debajo de la unidad.

## 9. Instalación de los tubos de refrigerante

El tubo se conecta mediante una conexión de tipo terminal de distribución en la que el tubo de refrigerante de la unidad exterior se bifurca en el terminal y se conecta a cada una de las unidades interiores.

El método de conexión de las tuberías es el siguiente: conexión abocinada para las unidades interiores, tuberías de gas y líquidas, para las unidades exteriores, conexiones con abrazaderas. Observe que las secciones con ramales llevan abrazaderas.

**Advertencia:**

**No utilice un refrigerante diferente del indicado en los manuales que se entregan con la unidad y en la placa de identificación.**

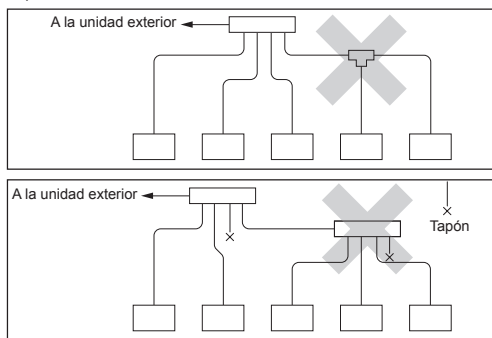
- Si lo hace, la unidad o las tuberías podrían explotar, o producirse una explosión o incendio durante su uso, reparación o en el momento de la eliminación de la unidad.
- También podría suponer un quebrantamiento de la normativa aplicable.
- MITSUBISHI ELECTRIC CORPORATION no es responsable de cualquier anomalía o accidente derivantes del uso del tipo de refrigerante equivocado.

**Tenga mucho cuidado de evitar cualquier pérdida de gas refrigerante durante trabajos con fuego o llama. Si el gas refrigerante entra en contacto con la llama de cualquier fuente como una estufa de gas, se descompone y genera un gas tóxico que puede provocar envenenamiento. No realice nunca labores de soldadura en una habitación sin ventilación. Compruebe siempre las posibles fugas de gas después de la instalación de la tubería de refrigerante.**

### 9.1. Cuidado

Esta unidad usa refrigerante R410A. Siga las regulaciones locales acerca de materiales y grosores de tuberías al seleccionarlas. (Consulte la tabla de la derecha.)

- Utilice el material siguiente para los tubos de refrigeración.
  - Material: utilice tubos sin costuras de aleación de cobre fabricados con cobre fosforoso desoxidado. Asegúrese de que las superficies interna y externa de los tubos están limpias y no contienen ninguna sustancia que pueda resultar peligrosa como, por ejemplo, azufre, óxido, polvo, restos de metal, aceites y humedad (contaminación).
  - Tamaño: consulte el apartado 9.2. si desea información detallada acerca del sistema de tubos de refrigerante.
- Observe siempre las restricciones de las tuberías de refrigerante (como longitud nominal, diferencia de altura y diámetro de tuberías) para evitar los fallos del equipo o una disminución del rendimiento de la calefacción/refrigeración.
- No se pueden hacer bifurcaciones después de la bifurcación del cabezal (las piezas correspondientes están marcadas con una X en el siguiente diagrama).



- No conecte tubos en la unidad exterior bajo la lluvia.
- Los tubos que pueden adquirirse en el comercio general contienen polvo y otros materiales. Límpielos siempre a fondo mediante soplado con gas seco inerte.

- Evite que, durante la instalación, entre polvo, agua u otros contaminantes en los tubos.
- Reduzca el número de codos al mínimo necesario y procure que los radios de curvatura sean tan grandes como sea posible.
- Para las bifurcaciones interiores y exteriores, asegúrese de utilizar los siguientes juegos de tubos de emparejamiento (vendidos por separado).
- Utilice un adaptador si el diámetro de un tubo de refrigerante especificado es diferente al de un tubo de bifurcación.
- Selde únicamente con soldadura sin óxido para tubos. De lo contrario, puede dañar el compresor. Realice la soldadura no oxidante con una purga de nitrógeno. No utilice antioxidantes comerciales, ya que pueden originar corrosión en los tubos y degradar el aceite refrigerante. Si desea más información, póngase en contacto con Mitsubishi Electric.** (Consulte el apartado 10.2. si desea información detallada acerca de la conexión de los tubos y el funcionamiento de las válvulas)
- Aísle siempre los tubos correctamente. Un aislamiento insuficiente reducirá el rendimiento de calefacción/refrigeración, provocará el goteo de condensación y se producirán otros problemas similares. (consulte el apartado 10.4 para el aislamiento térmico de los tubos de refrigerante)
- Al conectar el tubo del refrigerante, asegúrese de que la válvula de la unidad exterior esté totalmente cerrada (ajuste de fábrica) y no la accione hasta que los tubos del refrigerante de las unidades exterior e interior estén conectados, se haya efectuado un test de fugas y se haya finalizado el proceso de evacuación.
- No utilice refrigerante para purgar el aire.** Realice la evacuación con una bomba de vacío.
- Asegúrese de cargar el sistema con líquido refrigerante.**
- Tanto una falta como un exceso de refrigerante puede causar que la unidad realice una parada de emergencia. Cargue el sistema con la cantidad apropiada de refrigerante. En las revisiones o reparaciones, compruebe los datos concernientes a la longitud de tubo y a la carga adicional de refrigerante tanto en la tabla de cálculo de volumen de refrigerante en la parte trasera del panel de acceso al servicio técnico como en la sección de refrigerante adicional en las etiquetas para el número de unidades interiores combinadas. (Consulte el apartado 9.2. si desea información detallada acerca del sistema de tubos de refrigerante)

Tamaño del tubo de cobre y grosor radial para R410A CITY MULTI.

Tamaño (mm)	Tamaño (pulg.)	Grosor radial (mm)	Grosor radial (mil)	Tipo de tubo
ø6,35	ø1/4"	0,8	32	Tipo-O
ø9,52	ø3/8"	0,8	32	Tipo-O
ø12,7	ø1/2"	0,8	32	Tipo-O
ø15,88	ø5/8"	1,0	40	Tipo-O
*ø19,05	ø3/4"	1,2	48	Tipo-O
*ø19,05	ø3/4"	1,0	40	Tipo-1/2H o H
ø22,2	ø7/8"	1,0	40	Tipo-1/2H o H
ø25,4	ø1"	1,0	40	Tipo-1/2H o H
ø28,58	ø1-1/8"	1,0	40	Tipo-1/2H o H
ø31,75	ø1-1/4"	1,1	44	Tipo-1/2H o H
ø34,93	ø1-3/8"	1,2	48	Tipo-1/2H o H
ø41,28	ø1-5/8"	1,4	56	Tipo-1/2H o H

\* Ambos tipos de tubo pueden usarse en tamaños de tubo de ø19,05 (3/4 pulgadas) para el aparato de aire acondicionado R410A.

<Tabla 1>

Modelo de juego de tubos para emparejamiento interior						
Bifurcación de conductos				Bifurcación de cabezal		
Modelo de unidad de corriente inferior Menos de 72 en total	Modelo de unidad de corriente inferior Más de 73 y menos de 144 en total	Modelo de unidad de corriente inferior Más de 145 y menos de 240 en total	Modelo de unidad de corriente inferior Más de 241 en total	4 bifurcaciones	8 bifurcaciones	10 bifurcaciones
CMY-Y102SS-G2	CMY-Y102LS-G2	CMY-Y202S-G2	CMY-Y302S-G2	CMY-Y104C-G	CMY-Y108C-G	CMY-Y1010C-G

Modelo de kit de emparejamiento exterior	
Modelo exterior total P144YSKMU, P168 ~ P240T/YSKMU	Modelo exterior total P264 ~ P360T/YSKMU
CMY-Y100CBK3	CMY-Y300CBK2

**⚠ Advertencia:**

**Cuando instale y traslade la unidad, no cargue el sistema con un refrigerante distinto al especificado en la unidad.**

- La mezcla con un refrigerante diferente, aire, etc., puede provocar un mal funcionamiento del ciclo del refrigerante y producir graves daños.

**⚠ Precaución:**

- **Utilice una bomba de vacío con válvula de retención de flujo inverso.**
  - Si la bomba de vacío no tiene válvula de retención de flujo inverso, el aceite de la bomba de vacío podría retornar al ciclo del refrigerante y deteriorar el aceite refrigerante.
- **No utilice las herramientas mostradas abajo, que se utilizan para refrigerante convencional.**  
(Distribuidor, manguera de carga, detector de fugas, válvula de retención, base de carga de refrigerante, vacuómetro, equipo de recuperación del refrigerante)
  - La mezcla de refrigerante convencional con aceite refrigerante puede provocar el deterioro del aceite refrigerante.
  - La mezcla de agua provocará el deterioro del aceite refrigerante.

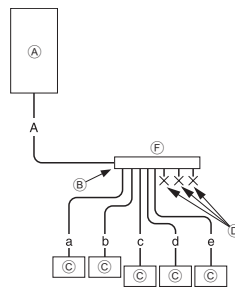
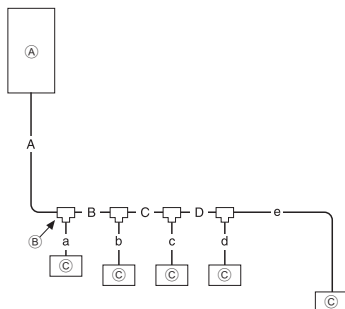
- El refrigerante R410A no contiene cloro. Por ello, los detectores de fugas de gas para refrigerantes convencionales no reaccionarán ante él.
- **Utilice las herramientas empleadas para el R410A con más cuidado de lo normal.**
  - Si entra polvo, suciedad o agua en el ciclo de refrigeración, el aceite refrigerante se estropeará.
- **No utilice tubos de refrigerante existentes.**
  - La gran cantidad de cloro en los refrigerantes y en el aceite del refrigerador convencionales que puede haber en los tubos existentes deteriorarían el nuevo refrigerante.
- **Almaceene los tubos que vaya a utilizar en la instalación interior manteniendo ambos extremos de los tubos sellados hasta justo antes de soldarlos.**
  - Si entrase polvo, suciedad o agua en el ciclo de refrigeración, el aceite se deteriorará y el compresor fallará.
- **No utilice cilindros de carga.**
  - El refrigerante podría estropearse.
- **No utilice detergentes especiales para lavar las tuberías.**

## 9.2. Sistema de tubos de refrigerante

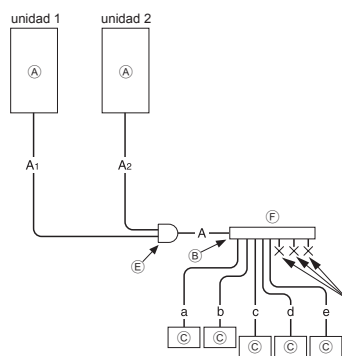
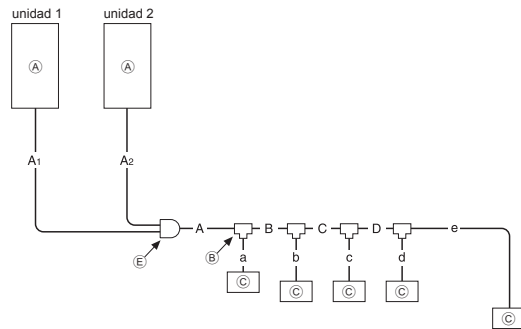
Ejemplo de conexión

[Fig. 9.2.1]

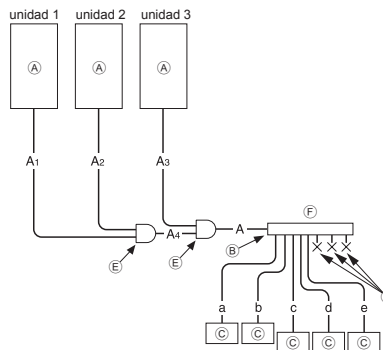
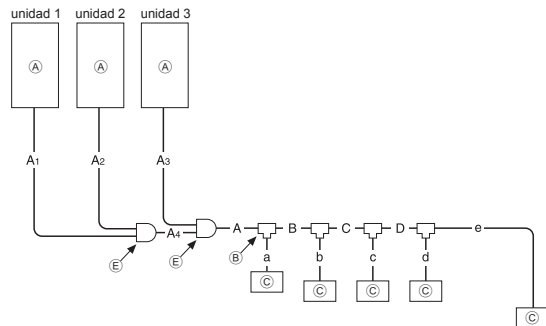
[Modelo para exteriores : P72 ~ P144T/YKMU]



[Modelo para exteriores : P144YSKMU, P168 ~ P240T/YSKMU]



[Modelo para exteriores : P264 ~ P360T/YSKMU]



- Ⓐ Unidad exterior
  - Ⓑ Primera bifurcación
  - Ⓒ Unidad interior
  - Ⓓ Tapón
  - Ⓔ Kit de emparejamiento exterior
  - Ⓕ Colector de tubos
- \* La longitud total de A<sub>1</sub> (A<sub>2</sub>, A<sub>3</sub> y A<sub>n</sub>) es menor que 10 m [32 pies].

A (Unidad: mm [pulg.])

Modelo para exteriores	Combinación de unidades			A		A1 <sup>*3</sup>		A2 <sup>*3</sup>		A3 <sup>*3</sup>		A4	
	Unidad 1	Unidad 2	Unidad 3	Tubo de líquido	Tubo de gas	Tubo de líquido	Tubo de gas	Tubo de líquido	Tubo de gas	Tubo de líquido	Tubo de gas	Tubo de líquido	Tubo de gas
P72T/YKMU	-	-	-	ø9,52 [3/8]	ø22,2 [7/8]	-	-	-	-	-	-	-	-
P96T/YKMU	-	-	-	*1ø9,52 [3/8]	ø22,2 [7/8]	-	-	-	-	-	-	-	-
P120T/YKMU	-	-	-	*2ø9,52 [3/8]	ø28,58 [1-1/8]	-	-	-	-	-	-	-	-
P144T/YKMU	-	-	-	ø12,7 [1/2]	ø28,58 [1-1/8]	-	-	-	-	-	-	-	-
P144YSKMU	P72	P72	-	ø12,7 [1/2]	ø28,58 [1-1/8]	ø9,52 [3/8]	ø22,2 [7/8]	ø9,52 [3/8]	ø22,2 [7/8]	-	-	-	-
P168T/YSKMU	P96	P72	-	ø15,88 [5/8]	ø28,58 [1-1/8]	ø9,52 [3/8]	ø22,2 [7/8]	ø9,52 [3/8]	ø22,2 [7/8]	-	-	-	-
P192T/YSKMU	P120	P72	-	ø15,88 [5/8]	ø28,58 [1-1/8]	ø12,7 [1/2]	ø28,58 [1-1/8]	ø9,52 [3/8]	ø22,2 [7/8]	-	-	-	-
P216T/YSKMU	P120	P96	-	ø15,88 [5/8]	ø28,58 [1-1/8]	ø12,7 [1/2]	ø28,58 [1-1/8]	ø9,52 [3/8]	ø22,2 [7/8]	-	-	-	-
P240T/YSKMU	P120	P120	-	ø15,88 [5/8]	ø28,58 [1-1/8]	ø12,7 [1/2]	ø28,58 [1-1/8]	ø12,7 [1/2]	ø28,58 [1-1/8]	-	-	-	-
P264T/YSKMU	P120	P72	P72	ø19,05 [3/4]	ø34,93 [1-3/8]	ø12,7 [1/2]	ø28,58 [1-1/8]	ø9,52 [3/8]	ø22,2 [7/8]	ø9,52 [3/8]	ø22,2 [7/8]	ø19,05 [3/4]	ø34,93 [1-3/8]
P288T/YSKMU	P120	P96	P72	ø19,05 [3/4]	ø34,93 [1-3/8]	ø12,7 [1/2]	ø28,58 [1-1/8]	ø9,52 [3/8]	ø22,2 [7/8]	ø9,52 [3/8]	ø22,2 [7/8]	ø19,05 [3/4]	ø34,93 [1-3/8]
P312T/YSKMU	P120	P120	P72	ø19,05 [3/4]	ø34,93 [1-3/8]	ø12,7 [1/2]	ø28,58 [1-1/8]	ø12,7 [1/2]	ø28,58 [1-1/8]	ø9,52 [3/8]	ø22,2 [7/8]	ø19,05 [3/4]	ø34,93 [1-3/8]
P336T/YSKMU	P120	P120	P96	ø19,05 [3/4]	ø41,28 [1-5/8]	ø12,7 [1/2]	ø28,58 [1-1/8]	ø12,7 [1/2]	ø28,58 [1-1/8]	ø9,52 [3/8]	ø22,2 [7/8]	ø19,05 [3/4]	ø34,93 [1-3/8]
P360T/YSKMU	P120	P120	P120	ø19,05 [3/4]	ø41,28 [1-5/8]	ø12,7 [1/2]	ø28,58 [1-1/8]	ø12,7 [1/2]	ø28,58 [1-1/8]	ø12,7 [1/2]	ø28,58 [1-1/8]	ø19,05 [3/4]	ø34,93 [1-3/8]

\*1 ø12,7 para más de 90 m [295 pies]

\*2 ø12,7 para más de 40 m [131 pies]

\*3 Los tamaños de tubo indicados en las columnas A1 a A3 de esta tabla corresponden a los tamaños de los modelos indicados en las columnas de la unidad 1, 2 y 3. Si se cambia el orden de los modelos para la unidad 1, 2 y 3, asegúrese de utilizar el tamaño de tubo adecuado.

\*4 ⓑ Si la longitud de las tuberías tras la primera unión supera los 40 m (≤ 90 m) utilice la tubería de líquidos de un tamaño superior para la unidad interior.

\*5 Ⓒ Cuando la diferencia de altura entre las unidades interiores sea de 15 m o superior (≤ 30 m), utilice la tubería de líquidos de un tamaño superior para la unidad interior (lado inferior).

B, C, D (Unidad: mm [pulg.])

Capacidad total de unidades interiores	Tubo de líquido	Tubo de gas
~ 54	ø9,52 [3/8]	ø15,88 [5/8]
55 ~ 72	ø9,52 [3/8]	ø19,05 [3/4]
73 ~ 108	ø9,52 [3/8]	ø22,2 [7/8]
109 ~ 144	ø12,7 [1/2]	ø28,58 [1-1/8]
145 ~ 240	ø15,88 [5/8]	ø28,58 [1-1/8]
241 ~ 308	ø19,05 [3/4]	ø34,93 [1-3/8]
309 ~	ø19,05 [3/4]	ø41,28 [1-5/8]

a, b, c, d, e (Unidad: mm [pulg.])

Número de modelo	Tubo de líquido	Tubo de gas
06, 08, 12, 15, 18	ø6,35 [1/4]	ø12,7 [1/2]
24, 27, 30, 36, 48, 54	ø9,52 [3/8]	ø15,88 [5/8]
72	ø9,52 [3/8]	ø19,05 [3/4]
96	ø9,52 [3/8]	ø22,2 [7/8]

Total del modelos de unidad corriente abajo	Junta
~ 72	CMY-Y102SS-G2
73 ~ 144	CMY-Y102LS-G2
145 ~ 240	CMY-Y202S-G2
El 1er ramal de la P144 ~ P240	
241 ~	CMY-Y302S-G2
El 1er ramal de la P264 ~ P360	

4-Cabezal de la bifurcación (Total del modelo de la unidad de flujo abajo ≤ 72)	8-Cabezal de la bifurcación (Total del modelo de la unidad de flujo abajo ≤ 144)	10-Cabezal de la bifurcación (Total del modelo de la unidad de flujo abajo ≤ 240)
CMY-Y104C-G	CMY-Y108C-G	CMY-Y1010C-G

Modelo para exteriores	Kit de emparejamiento exterior
P144YSKMU, P192 ~ 240T/YSKMU	CMY-Y100CBK3
P264 ~ P360T/YSKMU	CMY-Y300CBK2

\*1 P144 tiene sólo el modelo YSKMU.

**Precauciones para las combinaciones de unidades exteriores**

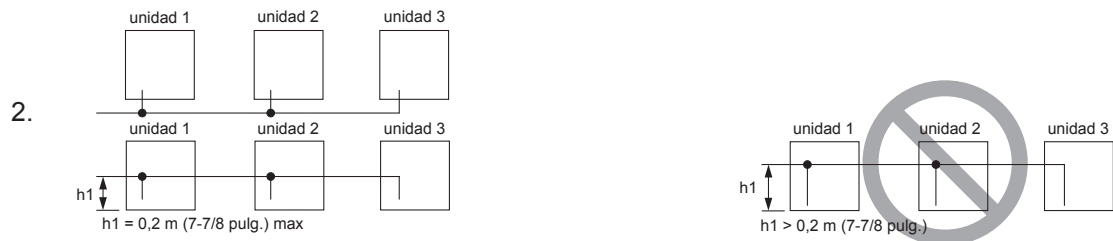
Consulte en la [Fig. 9.2.2] el posicionamiento de los tubos de emparejamiento.

[Fig. 9.2.2]

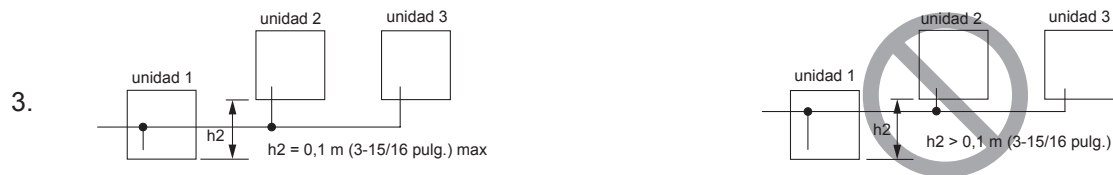
<A> Instale las tuberías de manera que no se acumule aceite en la unidad externa parada.



El ejemplo NG muestra que el aceite se acumula porque las unidades están instaladas en un gradiente inverso mientras la unidad 1 está funcionando y la unidad 3 está parada.



El ejemplo NG muestra que el aceite se acumula en las unidades 1 y 2 mientras que la unidad 3 está en funcionamiento y las unidades 1 y 2 están paradas. La altura vertical de la tubería (h1) deberá ser de 0,2 m (7-7/8 pulg.) o inferior.



El ejemplo NG muestra que el aceite se acumula en la unidad 1 mientras que la unidad 3 está en funcionamiento y la unidad 1 está parada. La diferencia en altura (h2) entre unidades ha de ser de 0,1 m (3-15/16 pulg.) o inferior.



El ejemplo NG muestra que el aceite se acumula en la unidad 3 mientras que la unidad 1 está en funcionamiento y la unidad 3 está parada. La diferencia en altura (h2) entre unidades ha de ser de 0,1 m (3-15/16 pulg.) o inferior.

<B> Si los tubos del lado de la unidad exterior (desde el tubo de emparejamiento) tienen más de 2 m [6 pies], asegúrese de instalar una trampa (sólo tubo de gas) en esta distancia de 2 m [6 pies]. Asegúrese de que la trampa tenga una altura de al menos 200 mm [7-7/8 pulg.]. Si no se coloca ninguna trampa, puede acumularse aceite dentro del tubo, con lo cual podría producirse una escasez de aceite y dañarse el compresor.

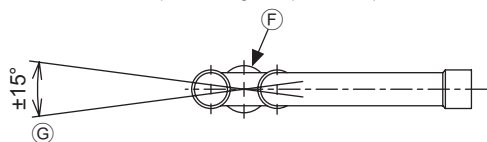


**⚠ Precaución:**

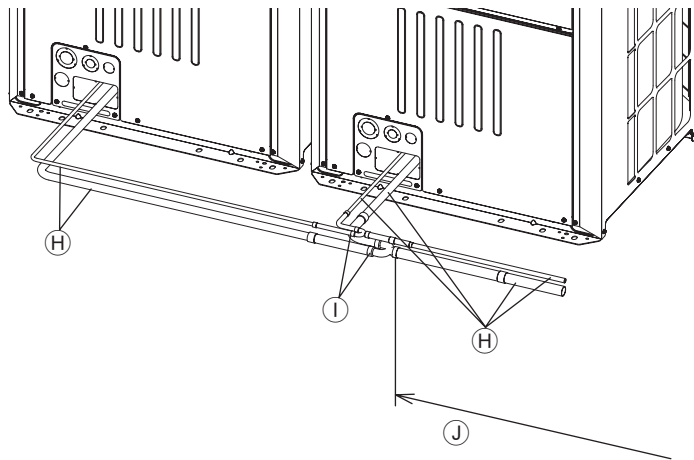
- No instale otras trampas con excepción de las que están entre las unidades al aire libre descritas en una hoja separada para prevenir el contraflujo de aceite y la falla en el encendido del compresor.
  - No instale válvulas solenoides para prevenir el contraflujo de aceite y la falla en el encendido del compresor.
  - No instale visores de vidrio porque pueden mostrar flujos incorrectos del refrigerante.
- Si se instalara un visor de vidrio, los técnicos inexpertos que usaran el visor podrían sobrecargar el refrigerante.

<C> Inclinación de los tubos de emparejamiento

Asegúrese de que la inclinación de los tubos de emparejamiento tenga un ángulo de  $\pm 15^\circ$  como máximo con respecto al suelo. Si la inclinación es superior al ángulo especificado, puede dañarse la unidad.



<D> Ejemplo de conexión de tubos



- A Inclinación hacia abajo    B Inclinación hacia arriba    C Unidad interior    D Trampa (sólo tubo de gas)    E En una distancia de 2 m [6 pies]
- F Tubo de emparejamiento    G Inclinación de los tubos de emparejamiento en un ángulo de  $\pm 15^\circ$  como máximo con respecto al suelo
- H Tuberías in situ    I Kit de emparejamiento    J Tramo recto de tubo de 500 mm [19-11/16 pulg.] o más

## 10. Carga adicional de refrigerante

En el momento del envío, la unidad exterior se carga con refrigerante. Esta carga no incluye la cantidad necesaria para tuberías alargadas y se requerirá una carga adicional de cada línea de refrigerante in situ. Para que en el futuro se puedan recargar correctamente, debe registrarse el tamaño y la longitud de los conductos de refrigeración y la cantidad de carga adicional escribiéndolo en el espacio previsto en la unidad exterior.

La longitud total de cada conducto de líquido es el siguiente:

$$\begin{aligned} \text{Ø12,7 mm [1/2 pulg.]: } & A = 40 \text{ m [131 pies]} = 40 \text{ m [131 pies]} \\ \text{Ø9,52 mm [3/8 pulg.]: } & B + C + D + a + b + e \\ & = 10 \text{ m [32 pies]} + 15 \text{ m [49 pies]} + 10 \text{ m [32 pies]} + \\ & \quad 10 \text{ m [32 pies]} + 5 \text{ m [16 pies]} + 10 \text{ m [32 pies]} \\ & = 60 \text{ m [193 pies]} \end{aligned}$$

$$\text{Ø6,35 mm [1/4 pulg.]: } c + d = 10 \text{ m [32 pies]} + 10 \text{ m [32 pies]} = 20 \text{ m [64 pies]}$$

Por consiguiente,  
<Ejemplo de cálculo>

$$\begin{aligned} \text{Carga adicional de refrigerante} &= 40 \text{ m [131 pies]} \times 0,12 \text{ kg/m [1,30 oz/pies]} + 60 \text{ m [193 pies]} \times \\ & \quad 0,06 \text{ kg/m [0,65 oz/pies]} + 20 \text{ m [64 pies]} \times 0,024 \text{ kg/m [0,26 oz/pies]} + \\ & \quad 3,5 \text{ kg [124 oz]} \\ & = 12,4 \text{ kg [438 oz]} \end{aligned}$$

### 10.1. Cálculo de la carga adicional de refrigerante

- Calcule la cantidad de carga adicional basándose en la longitud de las tuberías y el tamaño del conducto de refrigeración.
- Use la tabla siguiente como guía para calcular la cantidad de carga adicional y cargue el sistema según se indica en ella.
- Si el resultado del cálculo corresponde a una fracción inferior a 0,1 kg [4 oz], redondeelo hasta la siguiente fracción de 0,1 kg [4 oz]. Por ejemplo, si el resultado es 12,38 kg [437 oz], redondee hasta 12,4 kg [438 oz].

<Cálculo de la cantidad de refrigerante que se debe cargar>

Carga adicional de refrigerante	=	Longitud total de la tubería de líquido de tamaño Ø19,05 mm [3/4 pulg.]	+	Longitud total de la tubería de líquido de tamaño Ø15,88 mm [5/8 pulg.]	+	Longitud total de la tubería de líquido de tamaño Ø12,7 mm [1/2 pulg.]
(kg) [oz]		(m) × 0,29 (kg/m) [pies] × 3,12 (oz/pies)		(m) × 0,2 (kg/m) [pies] × 2,16 (oz/pies)		(m) × 0,12 (kg/m) [pies] × 1,30 (oz/pies)

+	Longitud total de la tubería de líquido de tamaño Ø9,52 mm [3/8 pulg.]	+	Longitud total de la tubería de líquido de tamaño Ø6,35 mm [1/4 pulg.]
	(m) × 0,06 (kg/m) [pies] × 0,65 (oz/pies)		(m) × 0,024 (kg/m) [pies] × 0,26 (oz/pies)

Carga adicional		+ α
Modelo de unidad exterior	Cantidad cargada	
P96	2 kg	
P120	8 kg	
P144		

Valor de α

Capacidad total de unidades interiores conectables	α	
Modelos a 27	2,0 kg	[71 oz]
Modelos 28 a 54	2,5 kg	[89 oz]
Modelos 55 a 126	3,0 kg	[106 oz]
Modelos 127 a 144	3,5 kg	[124 oz]
Modelos 145 a 180	4,5 kg	[159 oz]
Modelos 181 a 234	5,0 kg	[177 oz]
Modelos 235 a 273	6,0 kg	[212 oz]
Modelos 274 a 307	8,0 kg	[283 oz]
Modelos 308 a 342	9,0 kg	[318 oz]
Modelos 343 a 411	10,0 kg	[353 oz]
Modelos 412 a 480	12,0 kg	[424 oz]
Modelos 481 a	14,0 kg	[494 oz]

<Cantidad de refrigerante cargado en fábrica>

Modelo de unidad exterior	Cantidad cargada
P72	9,0 kg
P96	11,5 kg
P120	11,8 kg
P144	11,8 kg

<Ejemplo>

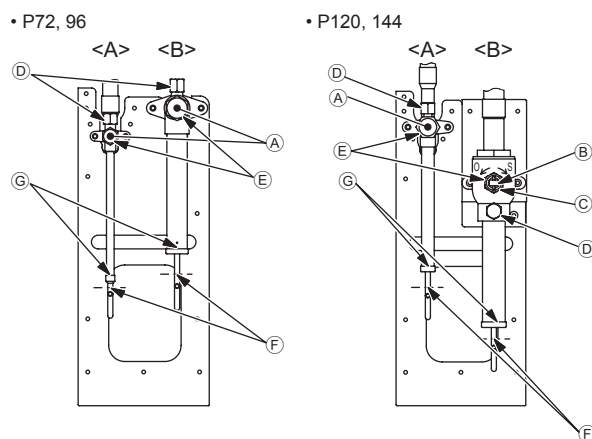
- Interior
- |                                |                 |                          |                |  |
|--------------------------------|-----------------|--------------------------|----------------|--|
| 1: 48 A : Ø12,7 mm [1/2 pulg.] | 40 m [131 pies] | a : Ø9,52 mm [3/8 pulg.] | 10 m [32 pies] | } Según las condiciones mostradas más abajo: |
| 2: 36 B : Ø9,52 mm [3/8 pulg.] | 10 m [32 pies]  | b : Ø9,52 mm [3/8 pulg.] | 5 m [16 pies]  |  |
| 3: 15 C : Ø9,52 mm [3/8 pulg.] | 15 m [49 pies]  | c : Ø6,35 mm [1/4 pulg.] | 10 m [32 pies] |  |
| 4: 12 D : Ø9,52 mm [3/8 pulg.] | 10 m [32 pies]  | d : Ø6,35 mm [1/4 pulg.] | 10 m [32 pies] |  |
| 5: 24                          |                 | e : Ø9,52 mm [3/8 pulg.] | 10 m [32 pies] |  |



## 10.2. Precauciones relativas a la conexión de las tuberías y el funcionamiento de las válvulas

- Guíe la conexión de los tubos y el funcionamiento de las válvulas con precisión y cuidado.
- **Desmontaje del tubo de conexión pinzada**  
Para el envío, se monta in situ un tubo de conexión pinzada en la válvula de líquido y gas para evitar fugas de gas.  
Siga los pasos del ① al ④ para desmontar el tubo de conexión pinzada antes de conectar tubos de refrigerante a la unidad exterior.
  - ① Compruebe que la válvula de servicio del refrigerante esté completamente cerrada (girada completamente en sentido horario).
  - ② Conecte una manguera de carga al puerto de servicio en la válvula de servicio del líquido/gas refrigerante y extraiga el gas en la sección del tubo que hay entre la válvula de servicio del refrigerante y el tubo de conexión pinzada.
  - ③ Tras vaciar el gas del tubo de conexión pinzada, seccione el tubo por la parte que se muestra en [Fig.10.2.1] y drene el refrigerante.
  - ④ Tras completar ② y ③ caliente la sección soldada para desmontar el tubo de conexión pinzada.

[Fig. 10.2.1]



<A> Válvula de servicio refrigerante (parte líquida/tipo soldado)  
<B> Válvula de servicio refrigerante (parte gaseosa/tipo soldado)

- (A) Eje  
Totalmente cerrado en la fábrica, cuando se conectan los tubos y cuando se vacían.  
Ábrase totalmente una vez finalizadas estas operaciones.  
<Al abrir>  
• Gire el eje en sentido antihorario con una llave hexagonal.  
• Haga girar el eje hasta que pare.  
<Al cerrar>  
• Gire el eje en sentido horario con una llave hexagonal.  
• Haga girar el eje hasta que pare.
- (B) Eje  
Totalmente cerrado en la fábrica, cuando se conectan los tubos y cuando se vacían.  
Ábrase totalmente una vez finalizadas estas operaciones.  
<Al abrir>  
• Gire el eje en el sentido contrario al de las agujas del reloj.  
• Haga girar el eje hasta que pare.  
<Al cerrar>  
• Gire el eje en el sentido de las agujas del reloj.  
• Haga girar el eje hasta que pare.
- (C) Clavija de obstrucción  
Evite que el eje gire 90° o más.
- (D) Puerto de servicio  
Disponible para la expulsión de gas del tubo de conexión pinzada, o el vaciado de los tubos refrigerantes in situ.
- (E) Tapón  
Quite el tapón antes de manipular el eje. Asegúrese de devolverlo a su posición original tras completar la operación.
- (F) Parte seccionada del tubo de conexión pinzada  
(G) Parte soldada del tubo de conexión pinzada

### ⚠ Advertencia:

- Las secciones situadas entre las válvulas de servicio del refrigerante y los tubos de conexión pinzados están llenas de gas y refrigerante. **Extraiga el gas y el aceite refrigerante de la sección de tubo indicada anteriormente antes de calentar la sección soldada para desmontar el tubo de conexión pinzado de la válvula de servicio del refrigerante.**  
- Si se calienta la sección soldada sin extraer antes el gas y el aceite refrigerante, puede que el tubo reviente o el tubo de conexión pinzado explote y encienda el refrigerante, lo que causaría heridas graves.

### ⚠ Precaución:

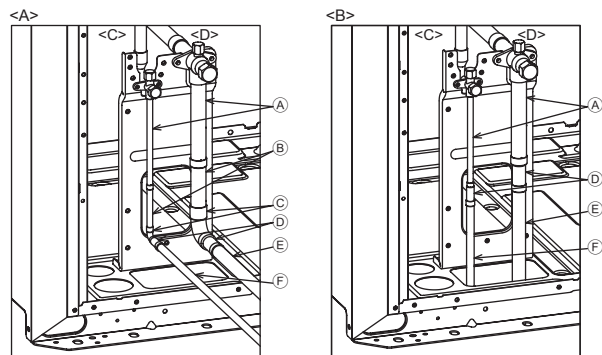
- **Ponga una toalla mojada en la válvula de servicio del refrigerante antes de calentar la sección soldada para evitar que la temperatura de la válvula supere los 120°C [248°F].**
- **Dirija la llama lejos de los cables y de las láminas metálicas que hay en el interior de la unidad para evitar daños por calentamiento.**

### ⚠ Precaución:

- **No permita que el R410A salga a la atmósfera.**
- **Conexión del tubo de refrigerante**  
Este producto necesita los tubos de conexión para las tuberías frontal y posterior de la parte inferior. (Consulte la [Fig.10.2.2])  
Compruebe las dimensiones de los tubos de líquido/gas antes de conectar el tubo de refrigerante.  
Consulte en la siguiente tabla las dimensiones de los tubos.  
Asegúrese de que el tubo de refrigerante no toque otros tubos de refrigerante, paneles de unidad o placas base.  
Asegúrese de utilizar una soldadura no oxidante al conectar los tubos.  
Tenga cuidado de no quemar el cableado y la placa al soldar.

<Ejemplos de conexión de tubos de refrigerante>

[Fig.10.2.2]



- <A> Colocación frontal de tubos  
<B> Colocación inferior de tubos  
<C> Lado del líquido  
<D> Lado del gas  
(A) Tubo de la válvula de servicio del refrigerante  
(B) Tuberías de planta (ajuste la posición de los tubos al agujero ciego).  
(C) Codo  
(D) Reductor, etc.  
(E) Tuberías de planta (conexión de gas)  
(F) Tuberías de planta (conexión de líquido)

(Unidad: mm [pulg.])

Modelo	Diámetro			
	Tubo de refrigerante		Válvula de servicio	
	Líquido	Gas	Líquido	Gas
P72	ø9,52 [3/8] Soldado *1	ø22,2 [7/8] Soldado *2	ø9,52 [3/8]	ø28,58 [1-1/8]
P96	ø9,52 [3/8] Soldado *1 (ø12,7 [1/2] Soldado) *2, *4			
P120	ø9,52 [3/8] Soldado *2 (ø12,7 [1/2] Soldado) *1, *3, *5	ø28,58 [1-1/8] Soldado *2	ø12,7 [1/2]	
P144	ø12,7 [1/2] Soldado *1			

\*1 Expanda las tuberías de planta y conéctelas a las tuberías de la válvula de servicio del refrigerante.

\*2 Utilice la junta de tubería (suministrada en obra) y conéctela a las tuberías de la válvula de servicio del refrigerante.

\*3 Si la unidad se utiliza junto con otras unidades exteriores.

\*4 Longitud máxima de tubo (UE desde UI) ≥ 90 m [295 ft]

\*5 Longitud máxima de tubo (UE desde UI) ≥ 40 m [131 ft]

Satisfaga la profundidad mínima de inserción de la tabla de abajo al ampliar el tubo en el sitio

Diámetro del tubo (mm [pulgadas])	Profundidad mínima de inserción (mm [pulgadas])
5 [7/32] o más, menor que 8 [11/32]	6 [1/4]
8 [11/32] o más, menor que 12 [1/2]	7 [9/32]
12 [1/2] o más, menor que 16 [21/32]	8 [11/32]
16 [21/32] o más, menor que 25 [1]	10 [13/32]
25 [1] o más, menor que 35 [1-13/32]	12 [1/2]
35 [1-13/32] o más, menor que 45 [1-25/32]	14 [9/16]

- Tras el vaciado y la carga con refrigerante, asegúrese de que el grifo esté totalmente abierto. Si se acciona con la válvula cerrada se producirá una presión anormal en el paso de alta o baja presión del circuito de refrigerante dañando el compresor, la válvula de 4 vías, etc.
- Determine la cantidad de carga adicional de refrigerante mediante la fórmula y cargue el refrigerante adicional a través del puerto de servicio una vez finalizado el vaciado.
- Cuando finalice el trabajo, cierre bien el puerto de servicio y el tapón para evitar cualquier fuga de gas. (Consulte el par de apriete adecuado en la tabla de abajo.)

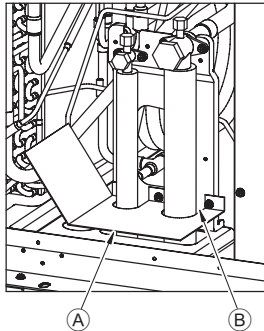
Pares de apriete adecuados:

Diámetro exterior del tubo de cobre (mm [pulg.])	Tapón (N·m/kg·cm)	Eje (N·m/kg·cm)	Tamaño de la llave hexagonal (mm)	Puerto de servicio (N·m/kg·cm)
ø9,52 [3/8]	15/150	6/60	4	12/120
ø12,7 [1/2]	20/200	9/90	4	
ø15,88 [5/8]	25/250	15/150	6	
ø19,05 [3/4]	25/250	30/300	6	
ø25,4 [1]	25/250	30/300	10	16/160
ø28,58 [1-1/8]	25/250	-	-	

#### ⚠ Precaución:

- Mantenga cierra de la válvula hasta que haya terminado la carga del refrigerante que carga las tuberías in situ. Si se abre la válvula antes de cargar el refrigerante, pueden producirse daños en la unidad.
- No use aditivos de detección de escapes.

[Fig. 10.2.3]



- Ⓐ Ejemplo de materiales de cierre (suministrados en obra)
- Ⓑ Rellene el hueco en obra

Asegúrese de sellar el espacio que hay en las zonas por donde entran en la unidad los cables y los tubos de refrigerante para evitar la entrada de pequeños animales, agua de lluvia o nieve en la unidad a través de estas aberturas, ya que podrían dañar la unidad.

#### ⚠ Precaución:

Selle las aberturas de tubos y recuperación de cables.

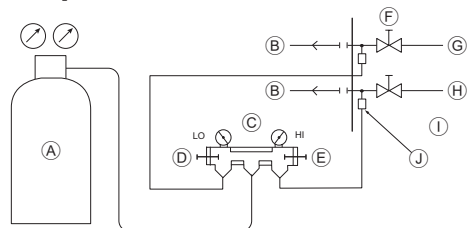
- Los pequeños animales, el agua de lluvia o la nieve podrían dañar el dispositivo si se introducen por las aberturas.

## 10.3. Prueba de estanqueidad, vaciado y carga de refrigerante

### ① Prueba de estanqueidad

Opere con la válvula de la unidad exterior cerrada, y presurice la tubería de conexión y la unidad interior desde el puerto de servicio proporcionado en la válvula de la unidad exterior. (Presurice siempre desde los puertos de servicio de la tubo de líquido y de la tubo de gas.)

[Fig. 10.3.1]



- (A) Nitrógeno
- (B) Hacia la unidad interior
- (C) Analizador del sistema
- (D) Grifo baja presión
- (E) Grifo alta presión
- (F) Válvula
- (G) Tubo de líquido
- (H) Tubo de gas
- (I) Unidad exterior
- (J) Puerto de servicio

Respete las restricciones siguientes al efectuar una prueba de estanqueidad para evitar los efectos negativos del aceite de la máquina refrigerante. Además, con refrigerantes no azeotrópicos, (R410A) las fugas de gas provocan un cambio en la composición y afectan al rendimiento. Por ello, realice la prueba de estanqueidad con mucha precaución. Por ello, realice la prueba de estanqueidad con mucha precaución.

Procedimiento de prueba de estanqueidad	Restriction
<p>(1) Tras la presurización a la presión nominal (4,15 MPa [602 psi]) con gas nitrógeno, espere un día entero. Si la presión no baja el sistema es estanco (la estanqueidad es buena). No obstante, si la presión baja, ya que no se sabe dónde está el punto de fuga se deberá llevar a cabo el siguiente test de burbuja.</p> <p>(2) Tras la presurización arriba descrita, rocíe con un agente burbujeante (Kyuboflex, etc.) las zonas de ensamblaje por abocinado, bridas y otras piezas que puedan tener pérdidas y compruebe visualmente si se produce un tal burbujeo.</p> <p>(3) Tras finalizar la prueba de estanqueidad, limpie el agente burbujeante.</p>	<ul style="list-style-type: none"> <li>• Si se utiliza un gas inflamable o aire (oxígeno) como gas de presurización, puede encenderse o explotar.</li> </ul>

### ⚠ Precaución:

Use únicamente refrigerante R410A.

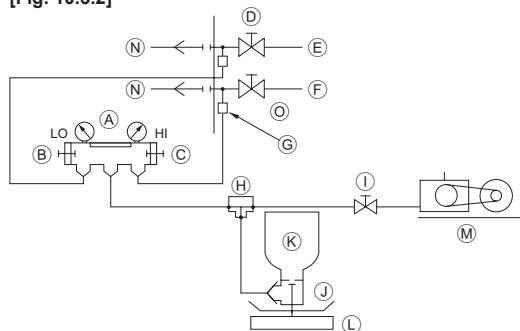
- El uso de otros refrigerantes como el R22 o el R407C, que contiene cloro, deteriorará el aceite de la máquina refrigerante o causará un mal funcionamiento del compresor.

### ② Vaciado

El vaciado debe realizarse con la válvula de la unidad exterior cerrada y evacuar tanto el tubo conector como la unidad interior a través del puerto de servicio de la válvula de la unidad exterior, usando una bomba de vacío. (Vacíe siempre desde el puerto de servicio de la tubería de líquido y la tubería de gas). Cuando el vacío alcance 650 Pa [abs] [0,0943 psi/5 Torr], continúe vaciando al menos durante uno hora o más. Seguidamente, detenga la bomba de vacío y déjela durante 1 hora. Compruebe que el grado de vacío no ha aumentado. (Si el aumento del grado de vacío es mayor que 130 Pa [0,01886 psi/1,0 Torr], es posible que haya entrado agua. Aplique presión al nitrógeno seco hasta 0,05 MPa [7,25 psi] y vuelva a vaciar. Repita el proceso de evacuación tres o más veces hasta que la presión de vacío alcance los 130 Pa o menos.) Finalmente, selle con el refrigerante líquido a través del tubo de líquido y ajuste los tubos de gas para obtener una cantidad apropiada de refrigerante durante el funcionamiento.

\* No realice nunca un purgado de aire con refrigerante.

[Fig. 10.3.2]



- (A) Analizador del sistema
- (B) Grifo baja presión
- (C) Grifo alta presión
- (D) Válvula
- (E) Tubo de líquido
- (F) Tubo de gas
- (G) Puerto de servicio
- (H) Pieza de unión de 3 vías
- (I) Válvula
- (J) Válvula
- (K) Cilindro de la R410A
- (L) Balanza
- (M) Bomba de vacío
- (N) A la unidad interior
- (O) Unidad exterior

### Nota:

- Para el vaciado, consulte los siguientes procedimientos.
- Añada siempre la cantidad correcta de refrigerante. Cargue también siempre el sistema con líquido refrigerante.
- Utilice los distribuidores, las mangueras de carga y otras piezas para el refrigerante que se indican en la unidad.
- Utilice un gravímetro. (Con precisión de hasta 0,1 kg [3 oz].)
- Utilice una bomba de vacío con válvula de retención de flujo invertido. (Vacuómetro recomendado: Vacuómetro con termistor ROBINAIR 14830A o medidor de micras) No utilice un medidor múltiple para medir la presión de vacío. Utilice también un vacuómetro que alcance 65 Pa [abs] [0,00943 psi/0,5 Torr] o menos después de funcionar durante 5 minutos.

### <Vaciado triple>

- Vacíe el sistema a 4.000 micras desde ambas válvulas de servicio. No utilice los medidores múltiples del sistema para medir el vacío. Utilice siempre un micrómetro.
  - Rompa el vacío con el nitrógeno (N2) en la válvula de servicio de descarga a 0 PSIG.
- Vacíe el sistema a 1.500 micras desde la válvula de servicio de aspiración.
  - Rompa el vacío con el nitrógeno (N2) en la válvula de servicio de descarga a 0 PSIG.
- Vacíe el sistema a 500 micras. El sistema deberá mantener el vacío a 500 micras durante mínimo 1 hora.
- Realice una prueba de aumento durante al mínimo 30 minutos.

### ③ Carga de refrigerante

No utilice un refrigerante diferente del indicado en los manuales que se entregan con la unidad y en la placa de identificación.

- Si lo hace, la unidad o las tuberías podrían explotar, o producirse una explosión o incendio durante su uso, reparación o en el momento de la eliminación de la unidad.

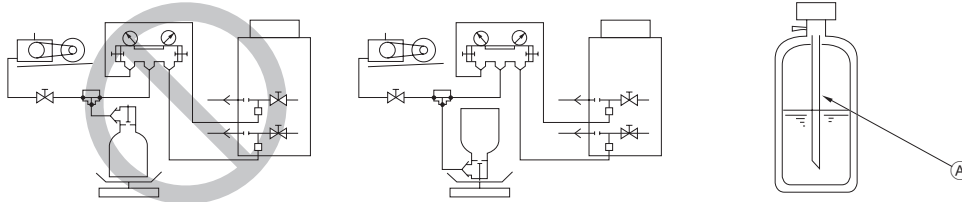
- También podría suponer un quebrantamiento de la normativa aplicable.

- MITSUBISHI ELECTRIC CORPORATION no es responsable de cualquier anomalía o accidente derivantes del uso del tipo de refrigerante equivocado.

Ya que el refrigerante utilizado con la unidad no es azeotrópico, debe cargarse en estado líquido. En consecuencia, cuando cargue la unidad con refrigerante desde un cilindro, si el cilindro no dispone de un tubo sifón, cargue el líquido refrigerante girando el cilindro hacia abajo tal y como se muestra en la Fig.10.3.3. Si el cilindro tiene un tubo sifón como el que se muestra en la ilustración de la derecha, el líquido refrigerante podrá cargarse con el cilindro en posición vertical. Por ello deberá observar bien las especificaciones de la bombona. Si la unidad debe cargarse con gas refrigerante, sustituya todo el refrigerante por nuevo. No utilice el refrigerante restante en la bombona.

[Fig. 10.3.3]

<Si el cilindro no tiene una tubería de sifón, haga la carga con el cilindro de refrigerante boca abajo>

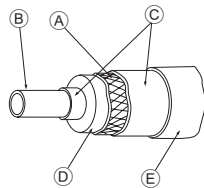


A) Tubo sifón

## 10.4. Aislamiento térmico de los tubos de refrigerante

Aísle bien los tubos de refrigerante cubriendo el tubo de líquido y el tubo de gas por separado con polietileno termoresistente de suficiente espesor y sin que quede ningún intersticio abierto en la junta entre unidad interior y material aislante ni entre los propios materiales aislantes. Cuando el aislamiento es insuficiente puede haber condensación y goteo. Preste especial atención al aislamiento de los tubos que pasen por falsos techos.

[Fig. 10.4.1]



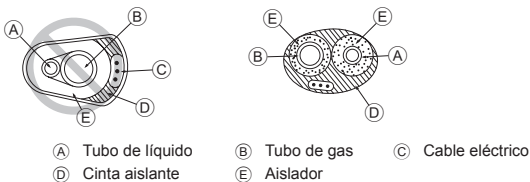
- A) Alambre de acero
- B) Tubo
- C) Tela asfáltica oleaginosa o asfalto
- D) Material de aislamiento A
- E) Cobertura exterior B

Material de aislamiento A	Fibra de vidrio + Malla de acero	
	Adhesivo + Espuma de polietileno termoresistente + Cinta adhesiva	
Cobertura exterior B	Interior	Cinta de vinilo
	Sobre suelo	Tela de cáñamo estanca + Asfalto bronce
	Exterior	Tela de cáñamo estanca + Placa de cinc + Pintura oleaginosa

**Nota:**

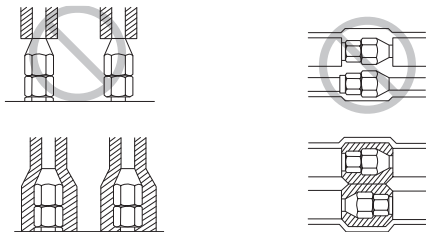
- **Cuanto utilice un recubrimiento de polietileno no hace falta utilizar tela asfáltica.**
- **Los cables eléctricos no deben aislarse térmicamente.**

[Fig. 10.4.2]



- A) Tubo de líquido
- B) Tubo de gas
- C) Cable eléctrico
- D) Cinta aislante
- E) Aislador

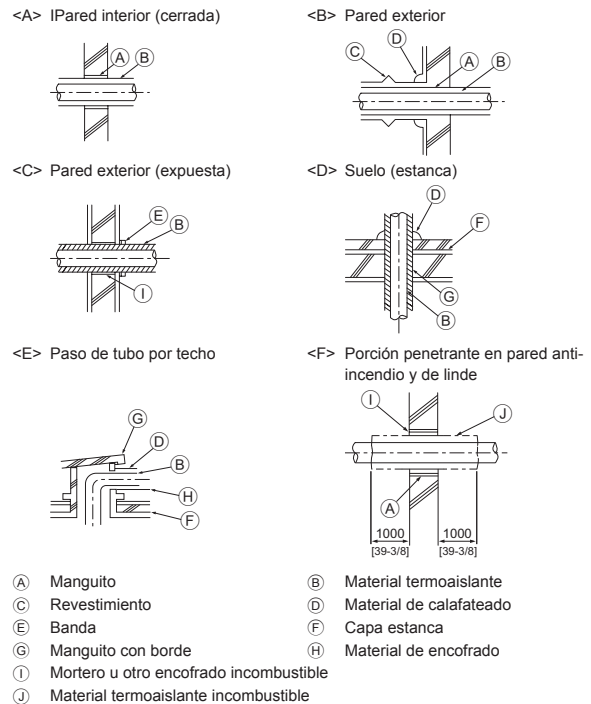
[Fig. 10.4.3]



## Penetraciones

[Fig. 10.4.4]

(Unidad: mm [pulg.])



- A) Manguito
- B) Material termoaislante
- C) Revestimiento
- D) Material de calafateado
- E) Banda
- F) Capa estanca
- G) Manguito con borde
- H) Material de encofrado
- I) Mortero u otro encofrado incombustible
- J) Material termoaislante incombustible

Cuando se rellene un espacio con mortero debe cubrirse la parte de penetración con plancha metálica para que el material aislante no se destruya. Para ello utilice materiales incombustibles tanto para el aislamiento como para la cubierta. (No utilice recubrimiento de vinilo.)

- Los materiales aislantes de la tuberías a añadir in situ deben cumplir las siguientes especificaciones:

	Tamaño de la tubería	
	ø6,35 a ø25,4 mm [1/4 a 1 pulg.]	ø28,58 a ø41,28 mm [1-1/8 a 1-21/32 pulg.]
Grosor	10 mm mín. [13/32 pulg. mín.]	15 mm mín. [19/32 pulg. mín.]
Resistencia a la temperatura	100°C mín. [212°F mín.]	

\* Para la instalación de tuberías en un ambiente de altas temperaturas y alta humedad, como puede ser en el último piso de un edificio, se pueden necesitar materiales aislantes de un mayor grosor que los especificados en la tabla anterior.

\* Cuando deban satisfacerse ciertas especificaciones presentadas por el cliente, asegúrese también de cumplir las especificaciones de la tabla anterior.

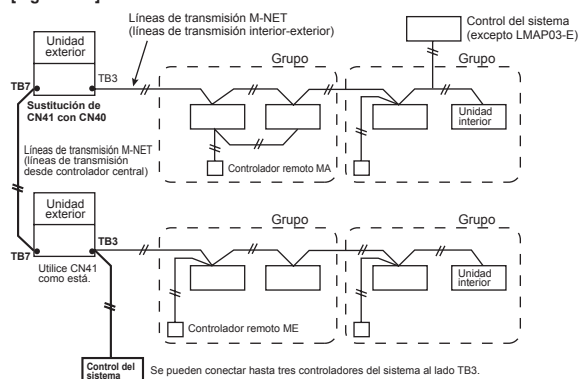
## 11. Cableado (Para información detallada, consulte el manual de instalación de cada unidad y controlador.)

### 11.1. Cuidado

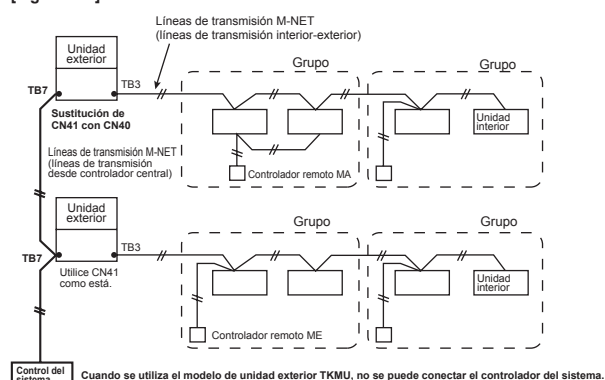
- ① Siga las ordenanzas gubernamentales en cuanto a normas técnicas relacionadas con el equipo eléctrico, las regulaciones sobre cableado y las indicaciones de cada compañía eléctrica.
- ② El cableado para control (a partir de ahora denominado línea de transmisión) debe estar (5 cm o más [2 pulg. o más]) aparte del cableado de la fuente de energía de manera que no le afecte el ruido eléctrico del cableado de la fuente de energía. (no intercale la línea de transmisión y el cable de la fuente de energía en el mismo conducto)
- ③ Asegúrese de proporcionar la conexión a tierra designada a la unidad exterior.
- ④ Dé un cierto margen al cableado para la caja eléctrica de las unidades interior y exterior, ya que la caja es retirada a veces cuando se realiza el trabajo de mantenimiento.
- ⑤ No conecte nunca la fuente de alimentación principal al bloque de terminal de la línea de transmisión. Si se conecta, las piezas eléctricas se dañarán.
- ⑥ Use cable blindado de dos almas para la línea de transmisión. Si las líneas de transmisión de sistemas diferentes están conectados con los mismos cables de varias almas, la pobre transmisión y recepción resultante dará lugar a funciones erróneas.
- ⑦ Únicamente la línea de transmisión especificada debería ser conectada al bloque de terminal para la transmisión de la unidad exterior. Una conexión errónea no permite que el sistema funcione.
- ⑧ Cuando se conecte un Controlador de Sistema con unidades al aire libre o con un grupo de unidades al interior que estén realizando una operación en conexión con diversas unidades al aire libre, se necesita una línea de transmisión para el control centralizado. Al usar una línea de la transmisión para el control centralizado, conecte la línea de la transmisión (cable de 2 núcleos no polares) con todos los terminales TB7 entre todas las unidades al aire libre.
- ⑨ El grupo se ajusta con el controlador remoto.

- La caja de control incluye piezas con alto voltaje.
- Al abrir o cerrar el panel frontal de la caja de control, no permita que entre en contacto con ninguno de los componentes internos.
- Antes de inspeccionar el interior de la caja de control, desconecte la unidad, manténgala así durante al menos 10 minutos y compruebe que la tensión del condensador (circuito principal del inversor) haya bajado a 20 V CC o menos. (Tras desconectar la fuente de alimentación, la electricidad tarda unos 10 minutos en descargarse.)
- La caja de control incluye piezas con alta temperatura. Tenga cuidado incluso cuando ya se haya desconectado la alimentación.
- Realice las reparaciones tras haber desconectado el conector de la placa del ventilador (CNINV) y el conector de la placa del inversor (CN1 o CNFAN).  
Para enchufar o desenchufar los conectores, compruebe que el ventilador de la unidad exterior no esté girando y que la tensión del condensador en el circuito principal sea de 20 V CC o menos. El condensador podría cargarse y provocar una descarga eléctrica cuando el ventilador de la unidad exterior gira por acción del viento. Para más información, consulte la placa del cableado.
- Para conectar cables a TB7, compruebe que la tensión sea de 20 V CC o menos.
- Tras realizar las reparaciones, vuelva a conectar el condensador (CNINV) a la placa del ventilador y el condensador (CN1 o CNFAN) a la placa del inversor.
- Cuando se haya apagado la alimentación, el compresor sigue cargado aunque no esté funcionando.
  - Antes de conectar la unidad, desconecte todos los cables de alimentación del bloque de terminales del compresor y mida la resistencia de aislamiento del compresor.
  - Compruebe si el compresor tiene fallas a tierra. Si la resistencia de aislamiento es de 1,0 MΩ o inferior, conecte todos los cables de alimentación al compresor y encienda la unidad exterior. El refrigerante líquido en el compresor cuando éste se cargue.
- Cuando el controlador del sistema está conectado al lado TB7 y se está utilizando el modelo de unidad exterior TKMU, conecte un PAC-SC51KUA al lado TB7. Si no se puede utilizar un PAC-SC51KUA, conecte el controlador del sistema al lado TB3.
  - Cuando se está utilizando el modelo de unidad exterior YKMU, el conector macho de alimentación se puede conectar a CN40 y el controlador del sistema se puede conectar al lado TB7.
  - Cuando el conector macho de alimentación está conectado desde la unidad exterior TKMU a CN40, la corriente se suministra al lado TB7 incluso cuando la fuente principal de la unidad exterior TKMU está apagada y el controlador del sistema podría almacenar un error en el historial de errores y emitir una señal de alarma.
  - Si sólo hay unidades LOSSNAY o exteriores conectadas en diferentes circuitos refrigerantes al lado TB7, el conector macho de alimentación se puede conectar desde la unidad exterior TKMU a CN40.
  - Se pueden conectar hasta tres controladores del sistema al lado TB3.

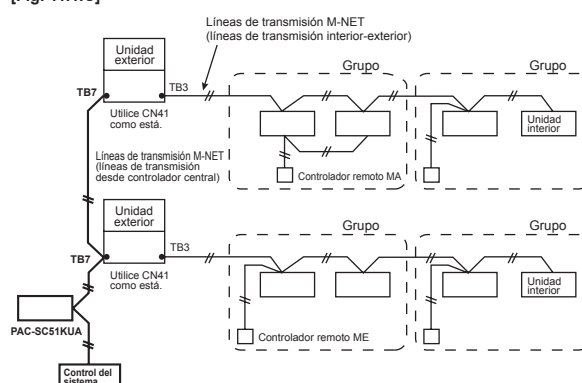
[Fig. 11.1.A]



[Fig. 11.1.B]



[Fig. 11.1.C]



### 11.2. Caja de control y posición de conexión de los cables

#### ① Unidad exterior

1. Retire el panel frontal de la caja de control quitando los 4 tornillos y empujándolo un poco hacia arriba antes de extraerlo.
2. Conecte la línea de transmisión interior-exterior al bloque de terminales (TB3) para línea de transmisión interior-exterior. Si se conectan varias unidades exteriores al mismo sistema refrigerante, conecte en estrella el TB3 (M1, M2, Terminal) de las unidades exteriores. Conecte la línea de transmisión interior-exterior de las unidades exteriores al TB3 (M1, M2, Terminal) de sólo una de las unidades exteriores.
3. Conecte las líneas de transmisión de control centralizado (entre el sistema de control centralizado y la unidad exterior de sistemas de refrigeración diferentes) al bloque de terminales de control centralizado (TB7). Si se conectan varias unidades exteriores al mismo sistema refrigerante, conecte en estrella el TB7 (M1, M2, S Terminal) en las unidades exteriores del mismo sistema refrigerante. (\*1)

\*1 : Si el TB7 de la unidad exterior en el mismo sistema de refrigerante no está conectado en estrella, conecte la línea de transmisión de control centralizado al TB7 de la OC (\*2). Si la OC está averiada, o si se está realizando el control centralizado durante la desconexión de la alimentación, conecte en estrella el TB7 en la OC, OS1 y OS2. (Aunque el TB7 esté conectado en estrella, no se realizará el control centralizado si está averiada o desconectada la unidad exterior cuyo conector de alimentación CN41 de la placa de control ha sido sustituido por el CN40)

\*2 : OC, OS1 y OS2 de las unidades exteriores en el mismo sistema de refrigeración se identifican automáticamente. Se identifican como OC,

- OS1 y OS2 en orden descendente de capacidad. (Si la capacidad es la misma, estarán en orden ascendente por número de dirección)
- En el caso de una línea de transmisión interior-exterior, conecte la toma de tierra blindada al terminal de tierra (A). En el caso de líneas de transmisión de control centralizado, conéctelas al terminal blindado (S) en el bloque de terminales de control centralizado (TB7). Además de lo anterior, en el caso de unidades exteriores cuyo conector de alimentación CN41 ha sido sustituido por el CN40, cortocircuite el terminal blindado (S) y el terminal de tierra (A)

- Fije los cables conectados de forma segura en su lugar con una cinta de sujeción de cables en la parte inferior del bloque de terminales. Aplicar fuerza externa al bloque de terminal puede dañarlo y ocasionar un cortocircuito, un fallo de la conexión a tierra o un incendio.
- Cuando extienda la línea de transmisión, asegúrese de extender también el cable blindado.

### [1] Piezas suministradas

La unidad contiene las siguientes piezas.

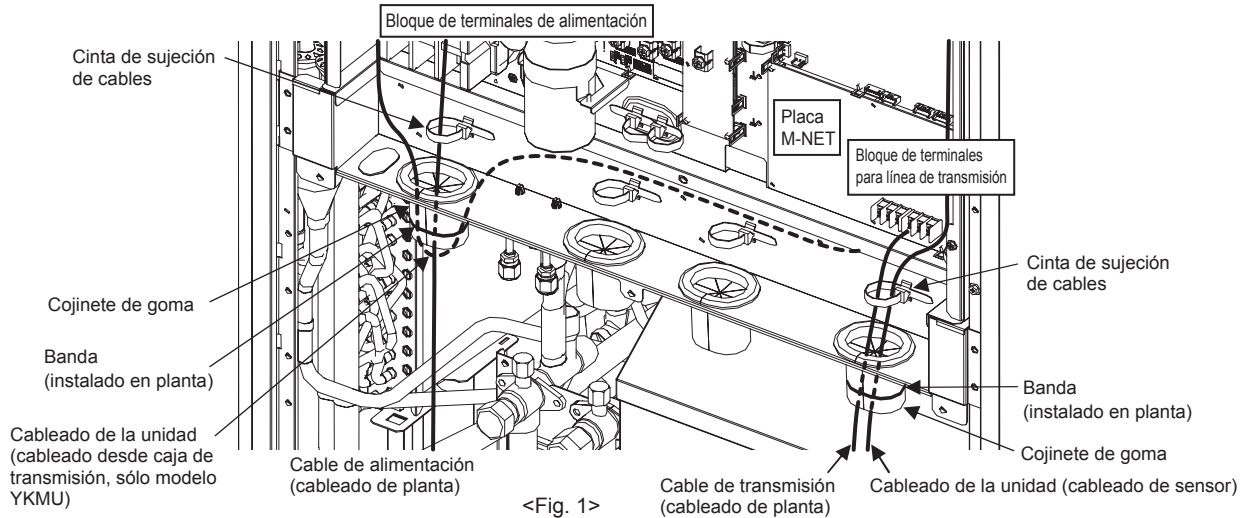
- ① Banda ... 2 piezas

### [2] Preparación para la instalación

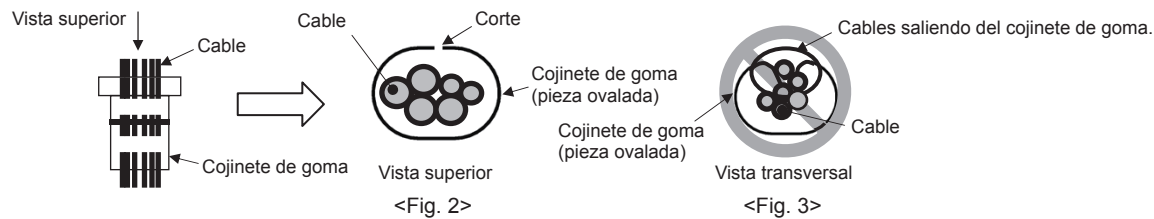
- Compruebe que la unidad exterior está desconectada de la corriente.
- Tras desconectar la unidad, déjela apagada durante al menos 10 minutos antes de continuar con las tareas de instalación.

### [3] Instalación

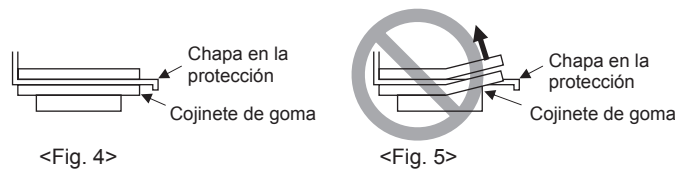
- (1) Pase el cable de suministro eléctrico por el cojinete de goma del lado izquierdo (consulte la Fig. 1, nota 1 y nota 2).
- (2) Pase el cableado de la unidad (cableado del sensor) y el cable de transmisión por el cojinete de goma en el lado derecho (consulte la Fig. 1, nota 1 y nota 2).
- (3) Sujete en su sitio el cable de suministro eléctrico y el cable de transmisión con las cintas de sujeción de cables (consulte la Fig. 1).
- (4) Conecte los cables respectivamente al bloque de terminales de alimentación y éste a la línea de transmisión (consulte la Fig. 1).
- (5) Fije cada cojinete de goma con la cinta que se suministra (consulte la Fig. 1 y la nota 3).



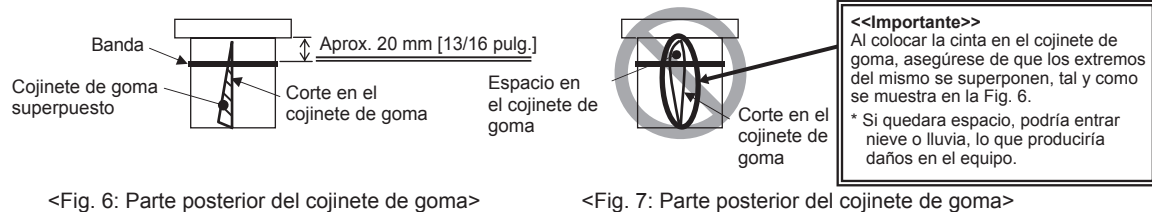
Nota 1) Asegúrese de que los cables no salen por el corte del cojinete de goma. (Fig. 2 y Fig. 3)



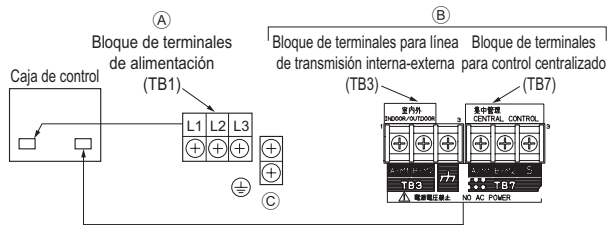
Nota 2) Cuando pase el cableado por el cojinete de goma, asegúrese de que éste no salga de la chapa de la protección de la caja de control. (Fig. 4 y Fig. 5)



Nota 3) Cuando ate la cinta que se suministra alrededor del cojinete de goma, asegúrese de que no queda ningún espacio entre los extremos. (Fig. 6 y Fig. 7)

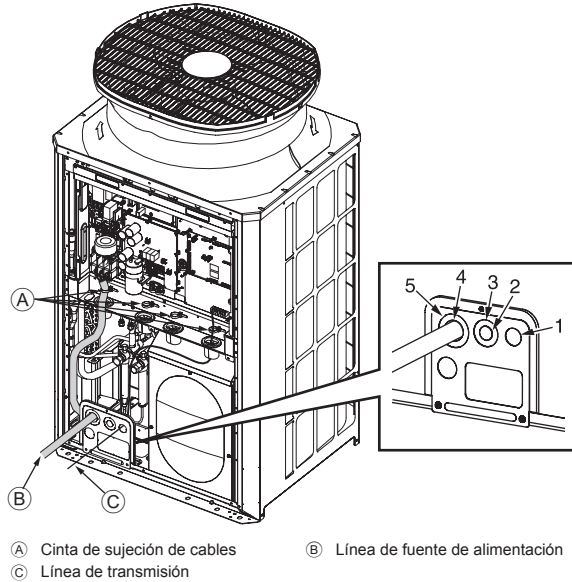


[Fig. 11.2.1]



- A Fuente de alimentación
- B Línea de transmisión
- C Tornillo de toma a tierra.

[Fig. 11.2.2]



- A Cinta de sujeción de cables
- B Línea de fuente de alimentación
- C Línea de transmisión

- Cuando utilice cables de tamaño AWG 14, AWG 12, o AWG 10, asegúrese de usar orificios troquelados # 2.
- Cuando utilice cables de tamaño AWG 8 o AWG 6, asegúrese de usar orificios troquelados # 4.
- Cuando utilice cables de tamaño AWG 4, AWG 3, o AWG 2 asegúrese de usar orificios troquelados # 3.
- Cuando utilice cables de tamaño AWG 3/0, AWG 2/0, o AWG 0, asegúrese de usar orificios troquelados # 5.
- Si hubiera algunas brechas alrededor de los cables, asegúrese de rellenarlas con una material adecuado.

② Instalación de tuberías

- Ábrase martillando los agujeros troquelados para el tubo del conducto en la base y la parte inferior del panel delantero.
- Cuando instale la tubería directamente a través de los orificios troquelados, quite la rebaba y proteja la tubería con cinta adhesiva.
- Utilice el tubo del conducto para angostar la abertura en caso de que hubiera la posibilidad del ingreso de animales pequeños a la unidad.
- Al sacar el tubo del conducto fuera de la parte inferior de la unidad, enmasille alrededor de la abertura del tubo para prevenir la penetración de agua.

### 11.3. Tendido de cables de transmisión

① Tipos de cables de control

1. Cables de transmisión del cableado

- Tipos de cables de transmisión: Cable blindado CVVS o CPEVS o MVVS
- Diámetro del cable: Más de 1,25 mm<sup>2</sup> [AWG 16]
- Longitud máxima del cable: Entre unos 200 m [656 pies]
- Longitud máxima de líneas de transmisión para el control centralizado y líneas de transmisión de interior/exterior (longitud máxima a través de las unidades exteriores): 500 m [1,640 pies] MAX  
La longitud máxima del cableado entre la unidad de alimentación de las líneas de transmisión en líneas de transmisión (para control centralizado y cada unidad exterior) y el controlador del sistema es de 200 m [656 pies].

2. Cables del controlador remoto

• Controlador remoto M-NET

Tipo de cable para el controlador remoto	Cable de 2 núcleos envainado (no blindado) CVV
Diámetro del cable	0,3 a 1,25 mm <sup>2</sup> [AWG 22 a 16] (0,75 a 1,25 mm <sup>2</sup> [AWG 18 a 16])*
Observaciones	Cuando pase de 10 m [32 pies], utilice un cable con las mismas características que el de la 1. Cables de transmisión del cableado

• Controlador remoto MA

Tipo de cable para el controlador remoto	Cable de 2 núcleos envainado (no blindado) CVV
Diámetro del cable	0,3 a 1,25 mm <sup>2</sup> [AWG 22 a 16] (0,75 a 1,25 mm <sup>2</sup> [AWG 18 a 16])*
Observaciones	Dentro de los 200 m [656 pies]

\* Conectado con un controlador remoto simple.

② Ejemplos de cables

- Nombre de los controladores, símbolo y número de controladores conectables.

	Nombre	Código	Posibles conexiones de la unidad
Unidad exterior	Unidad principal	OC	– (*2)
	Unidad subordinada	OS1, OS2	– (*2)
Unidad interior	Controlador de la unidad interior	IC	de 1 a 26 unidades por 1 OC (*1)
Controlador remoto	Controlador remoto (*1)	RC	2 unidades máximo por grupo (*3)
Otro	Unidad de superalimentación	RP	de 0 a 1 unidad por 1 OC (*1)

\*1 Una unidad de superalimentación (RP) puede ser necesaria dependiendo del número de controladores de unidad interior conectados.

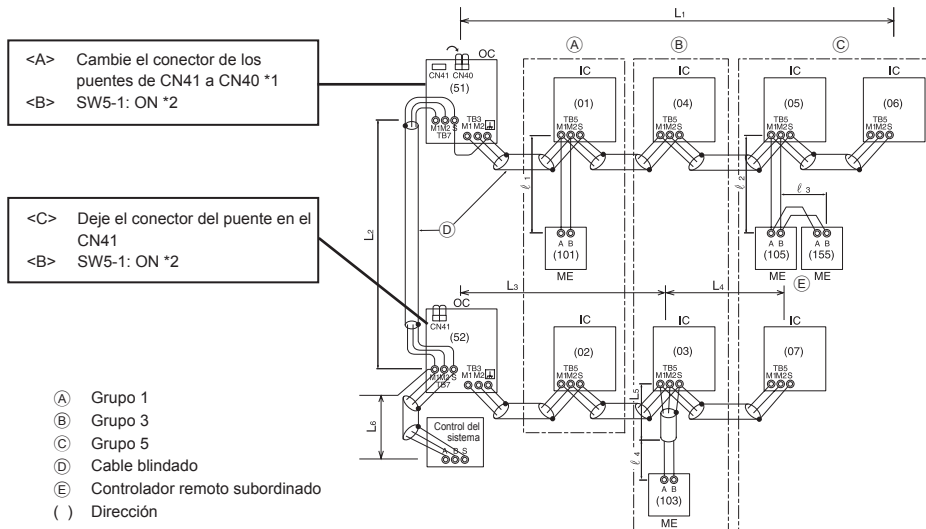
\*2 OC, OS1 y OS2 de las unidades exteriores en el mismo sistema de refrigeración se identifican automáticamente. Se identifican como OC, OS1 y OS2 en orden descendente de capacidad. (Si la capacidad es la misma, estarán en orden ascendente por número de dirección.)

\*3 Cuando hay un PAR-30MAAU conectado a un grupo, no se pueden conectar otros mandos a distancia MA al mismo grupo.

## Ejemplo de un sistema de funcionamiento en tierra con varias unidades exteriores (Se requiere cable blindado y ajustes de dirección.)

<Ejemplo de tendido de cables de transmisión>

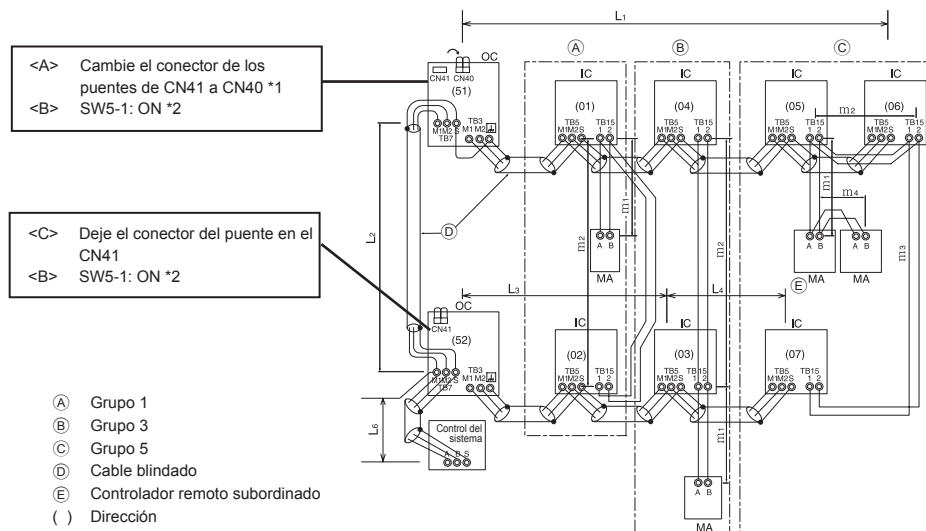
[Fig. 11.3.1] Controlador remoto M-NET



\*1 : Cuando la unidad de alimentación no esté conectada a la línea de transmisión para el control centralizado, desconecte el conector macho de alimentación (CN41) de UNA unidad exterior del sistema y conéctelo a CN40 (excepto el modelo TKMU). Cuando el controlador del sistema está conectado al lado TB7 y se está utilizando el modelo de unidad exterior TKMU, conecte un PAC-SC51KUA al lado TB7. Si no se puede utilizar un PAC-SC51KUA, conecte el controlador del sistema al lado TB3. Se pueden conectar hasta tres controladores del sistema al lado TB3.

\*2 : Si se usa un control del sistema, establezca el SW5-1 de todas las unidades exteriores en ON.

[Fig. 11.3.2] Controlador remoto MA

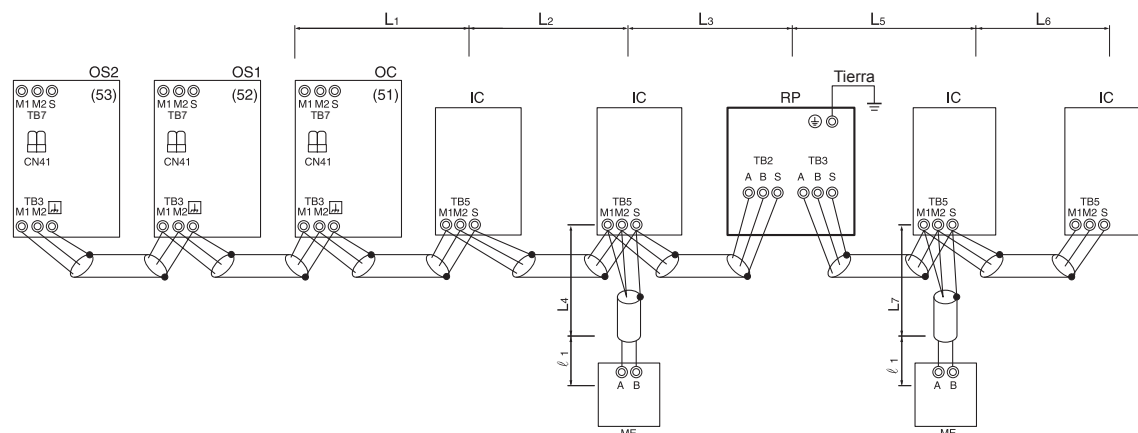


\*1 : Cuando la unidad de alimentación no esté conectada a la línea de transmisión para el control centralizado, desconecte el conector macho de alimentación (CN41) de UNA unidad exterior del sistema y conéctelo a CN40 (excepto el modelo TKMU). Cuando el controlador del sistema está conectado al lado TB7 y se está utilizando el modelo de unidad exterior TKMU, conecte un PAC-SC51KUA al lado TB7. Si no se puede utilizar un PAC-SC51KUA, conecte el controlador del sistema al lado TB3. Se pueden conectar hasta tres controladores del sistema al lado TB3.

\*2 : Si se usa un control del sistema, establezca el SW5-1 de todas las unidades exteriores en ON.

\*3 : Cuando hay un PAR-30MAAU conectado a un grupo, no se pueden conectar otros mandos a distancia MA al mismo grupo.

[Fig. 11.3.3] Combinación de unidades exteriores y unidad amplificadora de transmisión





<Método de tendido de cables y ajustes de dirección>

- Asegúrese de usar cables blindados para efectuar la conexión entre la unidad exterior (OC) y la unidad interior (IC), entre OC-OC, OC-OS, OS-OS, y entre IC-IC.
  - Pase los cables para conectar los conectores M1 y M2 y el terminal  $\perp$  de conexión a tierra del bloque de terminal (TB3) de la línea de transmisión de cada unidad exterior (OC) a los terminales M1, M2 y al terminal del bloque de la línea de transmisión de la unidad interior (IC). Para OC y OS, conecte TB3 a TB3.
  - Conecte los terminales 1 (M1) y 2 (M2) del bloque de terminal del cable de transmisión de la unidad interior (IC) cuya dirección es la más reciente del mismo grupo, al bloque de terminal del controlador remoto (RC).
  - Conecte juntos los terminales M1, M2 y el terminal S del bloque de terminal del control central (TB7) para la unidad exterior a un sistema de refrigerante diferente (OC). Para OC y OS en el mismo sistema de refrigerante, conecte TB7 a TB7.
  - Si la fuente de alimentación no está instalada en la línea de transmisión del control central, cambie el conector de puente en la placa de control de CN41 a CN40 en sólo una unidad exterior del sistema (excepto el modelo TKMU). Cuando el controlador del sistema está conectado al lado TB7 y se está utilizando el modelo de unidad exterior TKMU, conecte un PAC-SC51KUA al lado TB7. Si no se puede utilizar un PAC-SC51KUA, conecte el controlador del sistema al lado TB3. Se pueden conectar hasta tres controladores del sistema al lado TB3.
  - Conecte el terminal S del bloque de terminal para el control central (TB7) de la unidad exterior (OC) de la unidad en la que se insertó el conector de puente en el CN40 en el paso anterior al terminal de conexión a tierra  $\perp$  en la caja de componentes eléctricos.
  - Active el interruptor de ajuste de la dirección tal como se muestra más abajo.
- \* Para poner a 100 la dirección de la unidad exterior hay que poner la configuración de dicha dirección a 50.

Unidad	Campo	Cómo realizar los ajustes
Unidad interior (principal)	de 01 a 50	Ajuste la dirección más reciente del mismo grupo de unidades interiores
Unidad interior (subordinada)	de 01 a 50	Ajuste la dirección en el mismo grupo de unidades interiores que no sea el de IC (principal). IC (principal) debe ser secuencial
Unidad exterior (OC, OS)	de 51 a 100	Establezca las direcciones de las unidades exteriores conectadas al mismo sistema de refrigerante por orden de número secuencial. OC, OS1 y OS2 se identifican automáticamente. (*1)
M-NET R/C (principal)	de 101 a 150	Ajuste la dirección IC (principal) más 100
M-NET R/C (subordinada)	de 151 a 200	Ajuste la dirección IC (principal) más 150
MA R/C	-	Configuración de dirección innecesaria (Imprescindible el ajuste en principal/subordinado) (*2)

\*1: OC, OS1 y OS2 de las unidades exteriores en el mismo sistema de refrigeración se identifican automáticamente. Se identifican como OC, OS1 y OS2 en orden descendente de capacidad. (Si la capacidad es la misma, se identifican en orden ascendente por número de dirección)

\*2: Cuando hay un PAR-30MAAU conectado a un grupo, no se pueden conectar otros mandos a distancia MA al mismo grupo.

- Ajuste diferentes unidades exteriores como un grupo del controlador remoto (RC) después de dar la corriente.
- Si el controlador remoto centralizado está conectado al sistema, ponga todos los interruptores de control centralizado (SW5-1) de las placas de control de todas las unidades exteriores (OC, OS1 y OS2) en posición "ON".

<Longitud permitida>

① **Controlador remoto M-NET [Fig. 11.3.1]**

- Longitud mayor a través de las unidades exteriores:  $L_1+L_2+L_3+L_4$  y  $L_1+L_2+L_3+L_5$  y  $L_1+L_2+L_6 \leq 500$  m [1,640 pies] (1,25 mm<sup>2</sup> [AWG 16] o superior)
- Longitud mayor del cable de transmisión:  $L_1$  y  $L_3+L_4$  y  $L_3+L_5$  y  $L_6$  y  $L_2+L_6 \leq 200$  m [656 pies] (1,25 mm<sup>2</sup> [AWG 16] o superior)
- Longitud del cable de controlador remoto:  $l_1, l_2, l_3, l_4 \leq 10$  m [32 pies] (0,3 a 1,25 mm<sup>2</sup> [AWG 22 a 16])  
Si la longitud es superior a 10 m [32 pies], use un cable blindado de 1,25 mm<sup>2</sup> [AWG 16]. La longitud de esta sección ( $L_8$ ) debería incluirse en longitud máxima de cálculo y la longitud total.

② **Controlador remoto MA [Fig. 11.3.2]**

- Longitud mayor a través de las unidades exteriores (Cable M-NET):  $L_1+L_2+L_3+L_4$  y  $L_1+L_2+L_6 \leq 500$  m [1,640 pies] (1,25 mm<sup>2</sup> [AWG 16] o superior)
- Longitud mayor del cable de transmisión (Cable M-NET):  $L_1$  y  $L_3+L_4$  y  $L_6$  y  $L_2+L_6 \leq 200$  m [656 pies] (1,25 mm<sup>2</sup> [AWG 16] o superior)
- Longitud del cable de controlador remoto:  $m_1+m_2$  y  $m_1+m_2+m_3+m_4 \leq 200$  m [656 pies] (0,3 a 1,25 mm<sup>2</sup> [AWG 22 a 16])

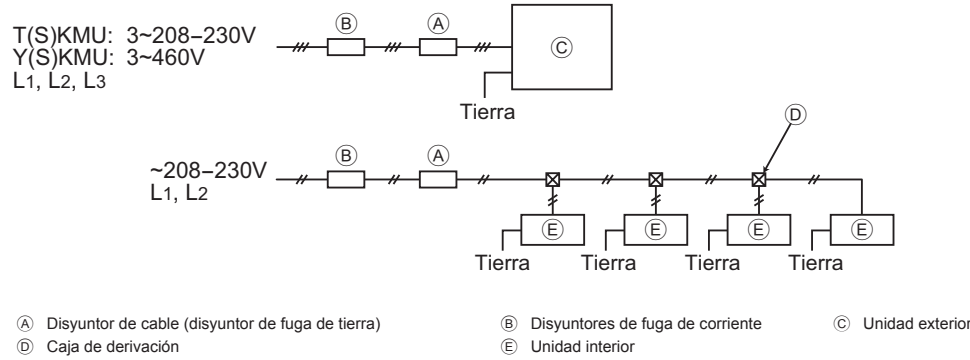
③ **Unidad de superalimentación [Fig. 11.3.3]**

- Longitud mayor del cable de transmisión (Cable M-NET): ①  $L_1+L_2+L_3+L_5+L_6 \leq 200$  m [656 pies] (1,25 mm<sup>2</sup> [AWG 16])  
②  $L_1+L_2+L_3+L_5+L_7 \leq 200$  m [656 pies] (1,25 mm<sup>2</sup> [AWG 16])  
③  $L_1+L_2+L_4 \leq 200$  m [656 pies] (1,25 mm<sup>2</sup> [AWG 16])  
④  $L_6+L_5+L_3+L_4, L_4+L_3+L_5+L_7 \leq 200$  m [656 pies] (1,25 mm<sup>2</sup> [AWG 16])
- Longitud del cable del controlador remoto:  $l_1, l_2 \leq 10$  m [32 pies] (0,3 a 1,25 mm<sup>2</sup> [AWG 22 a 16])  
Si la longitud es superior a 10 m [32 pies], utilice cable apantallado de 1,25 mm<sup>2</sup> [AWG 16] de sección y considere la longitud de esa parte ( $L_4$  y  $L_7$ ) dentro de la longitud total extendida y la distancia hasta la unidad más alejada.

## 11.4. Cableado del suministro principal de energía y capacidad del equipo

Dibujo esquemático del cableado (ejemplo)

[Fig. 11.4.1]



### Grosor del cable de la fuente de alimentación principal, capacidades del interruptor e impedancia del sistema

<Fuente de alimentación: 208V/230V>

	Modelo	Combinación de unidades	Ajustes recomendados						MCA (A)	MOC (A)
			Grosor mínimo del cable (mm <sup>2</sup> [AWG])			Interruptor (A)	DISY. CIRC. MÁX. (A)	Disyuntor para fuga de corriente		
			Cable principal	Bifurcación	Toma de tierra					
Unidad exterior	PUHY-P72TKMU-A(-BS)	-	5,3 [10]	-	5,3 [10]	30	30	30 A 30 mA o 100 mA 0,1 segundos o menos	25	42
	PUHY-P96TKMU-A(-BS)	-	8,4 [40]	-	8,4 [40]	40	40	40 A 30 mA o 100 mA 0,1 segundos o menos	34	57
	PUHY-P120TKMU-A(-BS)	-	13,3 [6]	-	13,3 [6]	50	50	50 A 100 mA 0,1 segundos o menos	45	73
	PUHY-P144TKMU-A(-BS)	-	13,3 [6]	-	13,3 [6]	60	60	60 A 100 mA 0,1 segundos o menos	53	88
	PUHY-P168TSKMU-A(-BS)	PUHY-P96TKMU-A(-BS)	8,4 [40]	-	8,4 [40]	40	40	40 A 30 mA o 100 mA 0,1 segundos o menos	34	57
	PUHY-P192TSKMU-A(-BS)	PUHY-P120TKMU-A(-BS)	5,3 [10]	-	5,3 [10]	30	30	30 A 30 mA o 100 mA 0,1 segundos o menos	25	42
	PUHY-P192TSKMU-A(-BS)	PUHY-P72TKMU-A(-BS)	13,3 [6]	-	13,3 [6]	50	50	50 A 100 mA 0,1 segundos o menos	45	73
	PUHY-P192TSKMU-A(-BS)	PUHY-P72TKMU-A(-BS)	5,3 [10]	-	5,3 [10]	30	30	30 A 30 mA o 100 mA 0,1 segundos o menos	25	42
	PUHY-P216TSKMU-A(-BS)	PUHY-P120TKMU-A(-BS)	13,3 [6]	-	13,3 [6]	50	50	50 A 100 mA 0,1 segundos o menos	45	73
	PUHY-P216TSKMU-A(-BS)	PUHY-P96TKMU-A(-BS)	8,4 [40]	-	8,4 [40]	40	40	40 A 30 mA o 100 mA 0,1 segundos o menos	34	57
	PUHY-P240TSKMU-A(-BS)	PUHY-P120TKMU-A(-BS)	13,3 [6]	-	13,3 [6]	50	50	50 A 100 mA 0,1 segundos o menos	45	73
	PUHY-P240TSKMU-A(-BS)	PUHY-P120TKMU-A(-BS)	13,3 [6]	-	13,3 [6]	50	50	50 A 100 mA 0,1 segundos o menos	45	73
	PUHY-P240TSKMU-A(-BS)	PUHY-P120TKMU-A(-BS)	13,3 [6]	-	13,3 [6]	50	50	50 A 100 mA 0,1 segundos o menos	45	73
	PUHY-P264TSKMU-A(-BS)	PUHY-P72TKMU-A(-BS)	5,3 [10]	-	5,3 [10]	30	30	30 A 30 mA o 100 mA 0,1 segundos o menos	25	42
	PUHY-P264TSKMU-A(-BS)	PUHY-P72TKMU-A(-BS)	5,3 [10]	-	5,3 [10]	30	30	30 A 30 mA o 100 mA 0,1 segundos o menos	25	42
	PUHY-P288TSKMU-A(-BS)	PUHY-P120TKMU-A(-BS)	13,3 [6]	-	13,3 [6]	50	50	50 A 100 mA 0,1 segundos o menos	45	73
	PUHY-P288TSKMU-A(-BS)	PUHY-P96TKMU-A(-BS)	8,4 [40]	-	8,4 [40]	40	40	40 A 30 mA o 100 mA 0,1 segundos o menos	34	57
	PUHY-P288TSKMU-A(-BS)	PUHY-P72TKMU-A(-BS)	5,3 [10]	-	5,3 [10]	30	30	30 A 30 mA o 100 mA 0,1 segundos o menos	25	42
	PUHY-P288TSKMU-A(-BS)	PUHY-P72TKMU-A(-BS)	5,3 [10]	-	5,3 [10]	30	30	30 A 30 mA o 100 mA 0,1 segundos o menos	25	42
	PUHY-P312TSKMU-A(-BS)	PUHY-P120TKMU-A(-BS)	13,3 [6]	-	13,3 [6]	50	50	50 A 100 mA 0,1 segundos o menos	45	73
	PUHY-P312TSKMU-A(-BS)	PUHY-P72TKMU-A(-BS)	5,3 [10]	-	5,3 [10]	30	30	30 A 30 mA o 100 mA 0,1 segundos o menos	25	42
	PUHY-P336TSKMU-A(-BS)	PUHY-P120TKMU-A(-BS)	13,3 [6]	-	13,3 [6]	50	50	50 A 100 mA 0,1 segundos o menos	45	73
	PUHY-P336TSKMU-A(-BS)	PUHY-P120TKMU-A(-BS)	13,3 [6]	-	13,3 [6]	50	50	50 A 100 mA 0,1 segundos o menos	45	73
	PUHY-P336TSKMU-A(-BS)	PUHY-P96TKMU-A(-BS)	8,4 [40]	-	8,4 [40]	40	40	40 A 30 mA o 100 mA 0,1 segundos o menos	34	57
PUHY-P360TSKMU-A(-BS)	PUHY-P120TKMU-A(-BS)	13,3 [6]	-	13,3 [6]	50	50	50 A 100 mA 0,1 segundos o menos	45	73	
PUHY-P360TSKMU-A(-BS)	PUHY-P120TKMU-A(-BS)	13,3 [6]	-	13,3 [6]	50	50	50 A 100 mA 0,1 segundos o menos	45	73	

<Fuente de alimentación: 460V>

	Modelo	Combinación de unidades	Ajustes recomendados						MCA (A)	MOCP (A)
			Grosor mínimo del cable (mm <sup>2</sup> [AWG])			Interrupción (A)	DISY. CIRC. MÁX. (A)	Disyuntor para fuga de corriente		
			Cable principal	Bifurcación	Toma de tierra	Capacidad				
Unidad exterior	PUHY-P72YKMU-A(-BS)	-	2,1 [14]	-	2,1 [14]	15	15	15 A 30 mA o 100 mA 0,1 segundos o menos	12	19
	PUHY-P96YKMU-A(-BS)	-	3,3 [12]	-	3,3 [12]	20	20	20 A 30 mA o 100 mA 0,1 segundos o menos	15	26
	PUHY-P120YKMU-A(-BS)	-	5,3 [10]	-	5,3 [10]	25	25	25 A 30 mA o 100 mA 0,1 segundos o menos	20	33
	PUHY-P144YKMU-A(-BS)	-	5,3 [10]	-	5,3 [10]	30	30	30 A 30 mA o 100 mA 0,1 segundos o menos	24	40
	PUHY-P144YSKMU-A(-BS)	PUHY-P72YKMU-A(-BS)	2,1 [14]	-	2,1 [14]	15	15	15 A 30 mA o 100 mA 0,1 segundos o menos	12	19
		PUHY-P72YKMU-A(-BS)	2,1 [14]	-	2,1 [14]	15	15	15 A 30 mA o 100 mA 0,1 segundos o menos	12	19
	PUHY-P168YSKMU-A(-BS)	PUHY-P96YKMU-A(-BS)	3,3 [12]	-	3,3 [12]	20	20	20 A 30 mA o 100 mA 0,1 segundos o menos	15	26
		PUHY-P72YKMU-A(-BS)	2,1 [14]	-	2,1 [14]	15	15	15 A 30 mA o 100 mA 0,1 segundos o menos	12	19
	PUHY-P192YSKMU-A(-BS)	PUHY-P120YKMU-A(-BS)	5,3 [10]	-	5,3 [10]	25	25	25 A 30 mA o 100 mA 0,1 segundos o menos	20	33
		PUHY-P72YKMU-A(-BS)	2,1 [14]	-	2,1 [14]	15	15	15 A 30 mA o 100 mA 0,1 segundos o menos	12	19
	PUHY-P216YSKMU-A(-BS)	PUHY-P120YKMU-A(-BS)	5,3 [10]	-	5,3 [10]	25	25	25 A 30 mA o 100 mA 0,1 segundos o menos	20	33
		PUHY-P96YKMU-A(-BS)	3,3 [12]	-	3,3 [12]	20	20	20 A 30 mA o 100 mA 0,1 segundos o menos	15	26
	PUHY-P240YSKMU-A(-BS)	PUHY-P120YKMU-A(-BS)	5,3 [10]	-	5,3 [10]	25	25	25 A 30 mA o 100 mA 0,1 segundos o menos	20	33
		PUHY-P120YKMU-A(-BS)	5,3 [10]	-	5,3 [10]	25	25	25 A 30 mA o 100 mA 0,1 segundos o menos	20	33
	PUHY-P264YSKMU-A(-BS)	PUHY-P72YKMU-A(-BS)	2,1 [14]	-	2,1 [14]	15	15	15 A 30 mA o 100 mA 0,1 segundos o menos	12	19
		PUHY-P72YKMU-A(-BS)	2,1 [14]	-	2,1 [14]	15	15	15 A 30 mA o 100 mA 0,1 segundos o menos	12	19
	PUHY-P288YSKMU-A(-BS)	PUHY-P120YKMU-A(-BS)	5,3 [10]	-	5,3 [10]	25	25	25 A 30 mA o 100 mA 0,1 segundos o menos	20	33
		PUHY-P96YKMU-A(-BS)	3,3 [12]	-	3,3 [12]	20	20	20 A 30 mA o 100 mA 0,1 segundos o menos	15	26
	PUHY-P312YSKMU-A(-BS)	PUHY-P72YKMU-A(-BS)	2,1 [14]	-	2,1 [14]	15	15	15 A 30 mA o 100 mA 0,1 segundos o menos	12	19
		PUHY-P120YKMU-A(-BS)	5,3 [10]	-	5,3 [10]	25	25	25 A 30 mA o 100 mA 0,1 segundos o menos	20	33
	PUHY-P336YSKMU-A(-BS)	PUHY-P72YKMU-A(-BS)	2,1 [14]	-	2,1 [14]	15	15	15 A 30 mA o 100 mA 0,1 segundos o menos	12	19
		PUHY-P120YKMU-A(-BS)	5,3 [10]	-	5,3 [10]	25	25	25 A 30 mA o 100 mA 0,1 segundos o menos	20	33
	PUHY-P360YSKMU-A(-BS)	PUHY-P120YKMU-A(-BS)	5,3 [10]	-	5,3 [10]	25	25	25 A 30 mA o 100 mA 0,1 segundos o menos	20	33
		PUHY-P96YKMU-A(-BS)	3,3 [12]	-	3,3 [12]	20	20	20 A 30 mA o 100 mA 0,1 segundos o menos	15	26
PUHY-P360YSKMU-A(-BS)	PUHY-P120YKMU-A(-BS)	5,3 [10]	-	5,3 [10]	25	25	25 A 30 mA o 100 mA 0,1 segundos o menos	20	33	
	PUHY-P120YKMU-A(-BS)	5,3 [10]	-	5,3 [10]	25	25	25 A 30 mA o 100 mA 0,1 segundos o menos	20	33	

- Utilice fuentes de alimentación dedicadas para la unidad exterior y la unidad interior. Asegúrese de cablear OC y OS de forma individual.
- Tenga en cuenta las condiciones ambientales (temperatura ambiente, luz solar directa, lluvia, etc.) cuando realice el tendido de cables y las conexiones.
- El tamaño del cable corresponde al valor mínimo para cables de conductos de metal. Si la tensión cae, utilice un cable con un diámetro de un tamaño superior. Asegúrese que la tensión de la alimentación principal no baje más del 10%. Asegúrese de que el desequilibrio de tensión entre las fases es del 2% o inferior.
- Los requisitos específicos sobre el cableado deben adaptarse a las reglamentaciones locales.
- Los cables de alimentación principal de los componentes de aparatos destinados al uso en la intemperie no deben ser más livianos que el cable flexible con revestimiento de policloropreno (diseño 245 IEC57). Por ejemplo, utilice cables del tipo YZW.
- El instalador del aparato de aire acondicionado debe colocar un interruptor con una separación entre contactos de 3 mm [1/8 pulg.], como mínimo, en cada polo.

#### ⚠ Advertencia:

- Asegúrese de usar los cables especificados para realizar las conexiones y de que ninguna fuerza externa actúe sobre las conexiones del terminal. Si las conexiones no están bien fijadas, se corre el riesgo de que se produzca calentamiento o un incendio.
- Asegúrese de escoger un interruptor de protección de sobrecarga adecuado. No olvide que la sobrecorriente generada puede contener pequeñas cantidades de corriente directa.

#### ⚠ Precaución:

- Los disyuntores de fugas de corriente deberían ser compatibles con un circuito de inversor (p.ej. serie NV-C de Mitsubishi Electric's o equivalente). En caso de no instalarse un disyuntor de fuga a tierra, existe el riesgo de que se produzca una descarga eléctrica.
- Los disyuntores de fugas de corriente se deben combinar con un interruptor.
- Utilice exclusivamente un disyuntor con la capacidad correcta. Si utiliza un disyuntor con demasiada capacidad podrían producirse anomalías o un incendio.
- Si hubiera una gran cantidad de corriente eléctrica por anomalías o un cableado defectuoso, podrían funcionar los dos disyuntores de fugas a tierra en el lado de la unidad y en el lado aguas arriba del sistema de alimentación. Dependiendo de la importancia del sistema, separe el sistema de alimentación o realice una coordinación protectora de los disyuntores.

## 12. Encendido de prueba

### 12.1. Operación de una unidad típica

#### Elementos a comprobar antes de una prueba

- Mida la resistencia de aislamiento entre el bloque de terminales de alimentación y tierra con un ohmímetro de 500 V y compruebe que éste lee al menos 1,0 MΩ.
  - Si la resistencia de aislamiento es de 1,0 MΩ o inferior, desconecte el suministro eléctrico de la unidad y cargue el compresor durante al menos 12 horas.

#### **Advertencia:**

- El compresor se carga cuando la unidad está desconectada de la corriente. Asegúrese de apagar la corriente antes de desconectar el cable de alimentación del compresor del bloque de terminales para medir la resistencia de aislamiento.**
  - Si la resistencia de aislamiento es de 1,0 MΩ o inferior, no utilice la unidad.**
- Conecte la corriente al menos 12 horas antes de realizar una prueba.
    - Así, el compresor se cargará y se evaporará el refrigerante del compresor.

#### **Precaución:**

- Si no se carga lo suficiente, el compresor se podría dañar.**

Los eventos mencionados en la tabla a continuación ocurren normalmente y no representan problemas de operación.

Eventos	Despliegue en el control remoto	Causa
Una unidad de interior en específico no está realizando la operación de enfriamiento o calefacción.	<b>Destellan “enfriamiento” o “calefacción”</b>	Puesto que otra unidad interna en el mismo sistema de refrigeración está realizando el enfriamiento o calefacción, la operación de enfriamiento o calefacción de la unidad interna en cuestión no se está llevando a cabo.
La aletilla automática cambia la dirección de flujo del aire.	<b>Visualización normal</b>	La aletilla automática puede desplazarse desde operación vertical a operación horizontal de flujo de aire en modo de enfriamiento cuando la operación con flujo vertical ha estado llevándose a cabo por 1 hora. En la etapa de descongelamiento del modo de calefacción o inmediatamente después del arranque/fin del modo de calefacción, la aletilla automática cambia a flujo de aire horizontal por un breve tiempo.
La velocidad del ventilador cambia automáticamente durante el calentamiento.	<b>Visualización normal</b>	El ventilador de la unidad opera a velocidad ultra baja cuando el termostato se encuentra apagado y cambia automáticamente al valor especificado por medio del temporizador o la temperatura del refrigerante cuando el termostato se apaga.
El ventilador se detiene durante el funcionamiento de la calefacción.	<b>Pantalla de descongelación</b>	El ventilador no opera cuando la unidad se encuentra en modo de descongelamiento.
El ventilador no se detiene aun cuando la unidad ya no se encuentra operando.	<b>No se enciende</b>	En el modo de calefacción, el ventilador opera 1 minuto adicional después de haber detenido la unidad para eliminar cualquier calor residual.
Durante el estado inicial del calentamiento no se puede ajustar manualmente el ventilador.	<b>Calor a punto</b>	El ventilador opera automáticamente a velocidad ultra lenta durante 5 minutos después de que se enciende el sistema, o hasta que la temperatura del refrigerante se haya elevado a 35°C [95°F], y opera a baja velocidad durante 2 minutos después de esto hasta alcanzar la temperatura especificada.
El controlador remoto de la unidad interior muestra "H0" o "PLEASE WAIT" por cinco minutos después de encender la fuente de alimentación.	<b>Parpadea el mensaje “H0” o “PLEASE WAIT”</b>	El sistema está ejecutando la secuencia de operación inicial. El control remoto será operante nuevamente después de que "H0" o "PLEASE WAIT" dejen de centellar y desaparezcan.
La bomba de drenaje continúa operando aun cuando la unidad ha sido apagada.	<b>No se enciende</b>	Después de detener la operación de enfriado, la unidad continúa accionando la bomba de drenaje durante 3 minutos y luego la detiene. La unidad también continuará accionando la bomba de drenaje si se ha producido condensación.
La unidad interior emite ruido al cambiar de calefacción a refrigeración y viceversa.	<b>Visualización normal</b>	Se trata de un ruido de cambio del ciclo de refrigeración y no indica ningún fallo.
Inmediatamente después del encendido, la unidad interior emite sonido de flujo del refrigerante.	<b>Visualización normal</b>	Un flujo inestable del refrigerante emite un sonido. Se trata de algo temporal y no indica un problema.
Llega aire caliente de una unidad interior que no está funcionando en modo de calefacción.	<b>Visualización normal</b>	El LEV está ligeramente abierto para evitar la licuefacción del refrigerante de la unidad interior que no está funcionando en modo de calefacción. No indica un problema.

## 12.2. Configuración de funcionamiento de la unidad exterior

Los ajustes de funciones se pueden realizar con SW4, SW6 y SWP01 en la placa de control de la unidad exterior.

- Para realizar ajustes de funciones, ponga en ON la 10ª parte del SW6 y a continuación ajuste el SW4. Para cambiar el ajuste, mantenga pulsado el SWP01 durante dos segundos o más. Los ajustes de interruptores se pueden comprobar en LED3. En LED1 se mostrará el nº del elemento. Escriba los ajustes de los interruptores en la etiqueta del diagrama del cableado eléctrico del panel de la caja de control, para usarlos como referencia en el futuro cuando cambie la placa de control.

<Listado de elementos de ajustes del SW4>

Elemento	Nº elemento de ajuste (*2)	Contenido de ajuste	Ajuste (pantalla LED3 (*3))		SW4 0 : OFF, 1 : ON										SWP01
			OFF (apagado)	ON (encendido)	1	2	3	4	5	6	7	8	9	10	
Ajuste (*1)	921	Pantalla LED1	Celsius	Fahrenheit	1	0	0	1	1	0	0	1	1	1	(*4)
	933	Ajuste sensor nieve	Nº 934 no efectivo	Nº 934 efectivo	1	0	1	0	0	1	0	1	1	1	(*4)
	934	Ajuste sensor nieve	Funcionamiento continuo del ventilador	Funcionamiento intermitente del ventilador	0	1	1	0	0	1	0	1	1	1	(*4)

\*1 Compruebe en LED3 que los interruptores están bien ajustados.

\*2 Cambie el nº de elemento de ajuste cuando la 10ª parte del SW6 esté en ON.

\*3 Parpadeará mientras el sistema está arrancando.

\*4 Tras ajustar el nº del elemento de ajuste, pulse SWP01 durante dos segundos o más.

<Listado de elementos de ajustes del SW6>

Elemento	Interruptor	Contenido de ajuste	Ajuste SW6		Tiempo ajuste interruptor
			OFF	ON	
Ajuste	SW6-1	-	-	-	-
	SW6-2	-	-	-	-
	SW6-3	-	-	-	-
	SW6-4	Ajuste alta presión estática (selección modelo unidad)	Presión estática estándar	Alta presión estática	Antes de cargar (*1)
	SW6-5	Ajuste alta presión estática (selección de 60 Pa o 30 Pa)	60 Pa	30 Pa	Antes de cargar (*1)
	SW6-6	-	-	-	-
	SW6-7	Selección modo Silencioso	Prioridad funcionamiento	Prioridad Silencioso	En cualquier momento después de cargar (*2)
	SW6-8	Selección de modo Silencioso o Demanda	Silencioso (noche)	Demanda	Antes de cargar (*1)
	SW6-9	-	-	-	-
	SW6-10	Selección de pantalla Diagnóstico o ajuste Detalle función	Pantalla Diagnóstico	Ajuste Detalle función	En cualquier momento después de cargar (*2)

\*1 El ajuste DIPSW se puede realizar antes de cargar la unidad.

\*2 El ajuste DIPSW se puede realizar en cualquier momento tras cargar la unidad.

### Nota:

- No cambie los ajustes de fábrica de los interruptores de SW5-3 a SW5-8.
- A menos que se especifique lo contrario, deje el interruptor en OFF cuando se indique con "-", ya que estará en OFF por alguna razón.

### 13. Información en la placa de potencias

Modelo	PUHY-P72TKMU-A(-BS)	PUHY-P96TKMU-A(-BS)	PUHY-P120TKMU-A(-BS)	PUHY-P144TKMU-A(-BS)	PUHY-P168TSKMU-A(-BS)		PUHY-P192TSKMU-A(-BS)	
Combinación de unidades	—	—	—	—	PUHY-P96TKMU-A(-BS)	PUHY-P72TKMU-A(-BS)	PUHY-P120TKMU-A(-BS)	PUHY-P72TKMU-A(-BS)
Refrigerante (R410A)	9,0 kg [19 LBS 13 oz]	11,5 kg [25 LBS 6 oz]	11,8 kg [26 LBS 1 oz]	11,8 kg [26 LBS 1 oz]	11,5 kg [25 LBS 6 oz]	9,0 kg [19 LBS 13 oz]	11,8 kg [26 LBS 1 oz]	9,0 kg [19 LBS 13 oz]
Presión permisible (Ps)	HP: 4,15 MPa [601 psi], LP: 2,21 MPa [320 psi]							
Peso neto	195 kg [430 LBS]	241 kg [532 LBS]	316 kg [697 LBS]	316 kg [697 LBS]	195 kg [430 LBS]	195 kg [430 LBS]	316 kg [697 LBS]	195 kg [430 LBS]

Modelo	PUHY-P216TSKMU-A(-BS)		PUHY-P240TSKMU-A(-BS)		PUHY-P264TSKMU-A(-BS)		
Combinación de unidades	PUHY-P120TKMU-A(-BS)	PUHY-P96TKMU-A(-BS)	PUHY-P120TKMU-A(-BS)	PUHY-P120TKMU-A(-BS)	PUHY-P120TKMU-A(-BS)	PUHY-P72TKMU-A(-BS)	PUHY-P72TKMU-A(-BS)
Refrigerante (R410A)	11,8 kg [26 LBS 1 oz]	11,5 kg [25 LBS 6 oz]	11,8 kg [26 LBS 1 oz]	11,8 kg [26 LBS 1 oz]	11,8 kg [26 LBS 1 oz]	9,0 kg [19 LBS 13 oz]	9,0 kg [19 LBS 13 oz]
Presión permisible (Ps)	HP: 4,15 MPa [601 psi], LP: 2,21 MPa [320 psi]						
Peso neto	316 kg [697 LBS]	241 kg [532 LBS]	316 kg [697 LBS]	316 kg [697 LBS]	316 kg [697 LBS]	195 kg [430 LBS]	195 kg [430 LBS]

Modelo	PUHY-P288TSKMU-A(-BS)			PUHY-P312TSKMU-A(-BS)		
Combinación de unidades	PUHY-P120TKMU-A(-BS)	PUHY-P96TKMU-A(-BS)	PUHY-P72TKMU-A(-BS)	PUHY-P120TKMU-A(-BS)	PUHY-P120TKMU-A(-BS)	PUHY-P72TKMU-A(-BS)
Refrigerante (R410A)	11,8 kg [26 LBS 1 oz]	11,5 kg [25 LBS 6 oz]	9,0 kg [19 LBS 13 oz]	11,8 kg [26 LBS 1 oz]	11,8 kg [26 LBS 1 oz]	9,0 kg [19 LBS 13 oz]
Presión permisible (Ps)	HP: 4,15 MPa [601 psi], LP: 2,21 MPa [320 psi]					
Peso neto	316 kg [697 LBS]	241 kg [532 LBS]	195 kg [430 LBS]	316 kg [697 LBS]	316 kg [697 LBS]	195 kg [430 LBS]

Modelo	PUHY-P336TSKMU-A(-BS)			PUHY-P360TSKMU-A(-BS)		
Combinación de unidades	PUHY-P120TKMU-A(-BS)	PUHY-P120TKMU-A(-BS)	PUHY-P96TKMU-A(-BS)	PUHY-P120TKMU-A(-BS)	PUHY-P120TKMU-A(-BS)	PUHY-P120TKMU-A(-BS)
Refrigerante (R410A)	11,8 kg [26 LBS 1 oz]	11,8 kg [26 LBS 1 oz]	11,5 kg [25 LBS 6 oz]	11,8 kg [26 LBS 1 oz]	11,8 kg [26 LBS 1 oz]	11,8 kg [26 LBS 1 oz]
Presión permisible (Ps)	HP: 4,15 MPa [601 psi], LP: 2,21 MPa [320 psi]					
Peso neto	316 kg [697 LBS]	316 kg [697 LBS]	241 kg [532 LBS]	316 kg [697 LBS]	316 kg [697 LBS]	316 kg [697 LBS]

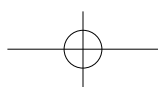
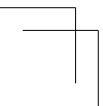
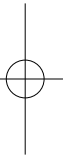
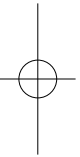
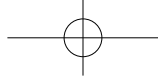
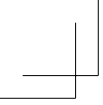
Modelo	PUHY-P72YKMU-A(-BS)	PUHY-P96YKMU-A(-BS)	PUHY-P120YKMU-A(-BS)	PUHY-P144YKMU-A(-BS)	PUHY-P144YSKMU-A(-BS)		PUHY-P168YSKMU-A(-BS)	
Combinación de unidades	—	—	—	—	PUHY-P72YKMU-A(-BS)	PUHY-P72YKMU-A(-BS)	PUHY-P96YKMU-A(-BS)	PUHY-P72YKMU-A(-BS)
Refrigerante (R410A)	9,0 kg [19 LBS 13 oz]	11,5 kg [25 LBS 6 oz]	11,8 kg [26 LBS 1 oz]	11,8 kg [26 LBS 1 oz]	9,0 kg [19 LBS 13 oz]	9,0 kg [19 LBS 13 oz]	11,5 kg [25 LBS 6 oz]	9,0 kg [19 LBS 13 oz]
Presión permisible (Ps)	HP: 4,15 MPa [601 psi], LP: 2,21 MPa [320 psi]							
Peso neto	210 kg [463 LBS]	253 kg [558 LBS]	329 kg [726 LBS]	329 kg [726 LBS]	210 kg [463 LBS]	210 kg [463 LBS]	253 kg [558 LBS]	210 kg [463 LBS]

Modelo	PUHY-P192YSKMU-A(-BS)		PUHY-P216YSKMU-A(-BS)		PUHY-P240YSKMU-A(-BS)	
Combinación de unidades	PUHY-P120YKMU-A(-BS)	PUHY-P72YKMU-A(-BS)	PUHY-P120YKMU-A(-BS)	PUHY-P96YKMU-A(-BS)	PUHY-P120YKMU-A(-BS)	PUHY-P120YKMU-A(-BS)
Refrigerante (R410A)	11,8 kg [26 LBS 1 oz]	9,0 kg [19 LBS 13 oz]	11,8 kg [26 LBS 1 oz]	11,5 kg [25 LBS 6 oz]	11,8 kg [26 LBS 1 oz]	11,8 kg [26 LBS 1 oz]
Presión permisible (Ps)	HP: 4,15 MPa [601 psi], LP: 2,21 MPa [320 psi]					
Peso neto	329 kg [726 LBS]	210 kg [463 LBS]	329 kg [726 LBS]	253 kg [558 LBS]	329 kg [726 LBS]	329 kg [726 LBS]

Modelo	PUHY-P264YSKMU-A(-BS)			PUHY-P288YSKMU-A(-BS)		
Combinación de unidades	PUHY-P120YKMU-A(-BS)	PUHY-P72YKMU-A(-BS)	PUHY-P72YKMU-A(-BS)	PUHY-P120YKMU-A(-BS)	PUHY-P96YKMU-A(-BS)	PUHY-P72YKMU-A(-BS)
Refrigerante (R410A)	11,8 kg [26 LBS 1 oz]	9,0 kg [19 LBS 13 oz]	9,0 kg [19 LBS 13 oz]	11,8 kg [26 LBS 1 oz]	11,5 kg [25 LBS 6 oz]	9,0 kg [19 LBS 13 oz]
Presión permisible (Ps)	HP: 4,15 MPa [601 psi], LP: 2,21 MPa [320 psi]					
Peso neto	329 kg [726 LBS]	210 kg [463 LBS]	210 kg [463 LBS]	329 kg [726 LBS]	253 kg [558 LBS]	210 kg [463 LBS]

Modelo	PUHY-P312YSKMU-A(-BS)			PUHY-P336YSKMU-A(-BS)		
Combinación de unidades	PUHY-P120YKMU-A(-BS)	PUHY-P120YKMU-A(-BS)	PUHY-P72YKMU-A(-BS)	PUHY-P120YKMU-A(-BS)	PUHY-P120YKMU-A(-BS)	PUHY-P96YKMU-A(-BS)
Refrigerante (R410A)	11,8 kg [26 LBS 1 oz]	11,8 kg [26 LBS 1 oz]	9,0 kg [19 LBS 13 oz]	11,8 kg [26 LBS 1 oz]	11,8 kg [26 LBS 1 oz]	11,5 kg [25 LBS 6 oz]
Presión permisible (Ps)	HP: 4,15 MPa [601 psi], LP: 2,21 MPa [320 psi]					
Peso neto	329 kg [726 LBS]	329 kg [726 LBS]	210 kg [463 LBS]	329 kg [726 LBS]	329 kg [726 LBS]	253 kg [558 LBS]

Modelo	PUHY-P360YSKMU-A(-BS)		
Combinación de unidades	PUHY-P120YKMU-A(-BS)	PUHY-P120YKMU-A(-BS)	PUHY-P120YKMU-A(-BS)
Refrigerante (R410A)	11,8 kg [26 LBS 1 oz]	11,8 kg [26 LBS 1 oz]	11,8 kg [26 LBS 1 oz]
Presión permisible (Ps)	HP: 4,15 MPa [601 psi], LP: 2,21 MPa [320 psi]		
Peso neto	329 kg [726 LBS]	329 kg [726 LBS]	329 kg [726 LBS]



---

This product is designed and intended for use in the residential,  
commercial and light-industrial environment.

Please be sure to put the contact address/telephone number on  
this manual before handing it to the customer.

**MITSUBISHI ELECTRIC CORPORATION**

HEAD OFFICE: TOKYO BLDG., 2-7-3, MARUNOUCHI, CHIYODA-KU, TOKYO 100-8310, JAPAN

WT06580X02