

PARTS CATALOG

CITY MULTI Series Ceiling Cassettes R410A / R22

Indoor unit

[Model names]	[Service Ref.]	
PLFY-P12NBMU-E	PLFY-P12NBMU-E PLFY-P12NBMU-ER2	PLFY-P12NBMU-ER1
PLFY-P15NBMU-E	PLFY-P15NBMU-E PLFY-P15NBMU-ER2	PLFY-P15NBMU-ER1
PLFY-P18NBMU-E	PLFY-P18NBMU-E PLFY-P18NBMU-ER2	PLFY-P18NBMU-ER1
PLFY-P24NBMU-E	PLFY-P24NBMU-E PLFY-P24NBMU-ER2	PLFY-P24NBMU-ER1
PLFY-P30NBMU-E	PLFY-P30NBMU-E PLFY-P30NBMU-ER2	PLFY-P30NBMU-ER1
PLFY-P36NBMU-E	PLFY-P36NBMU-E PLFY-P36NBMU-ER2	PLFY-P36NBMU-ER1

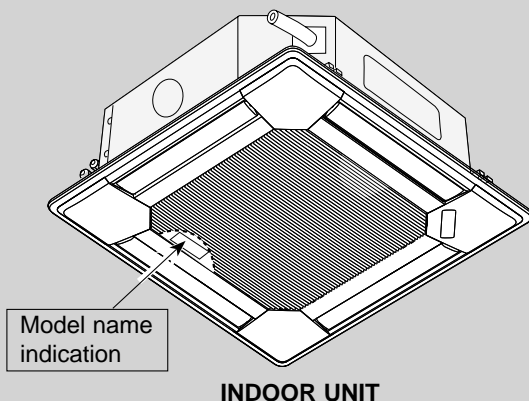
Revision:

- Part No. of VANE ASSY and CORNER PANEL have been modified in REVISED EDITION-C.
- Some descriptions have been modified.

- Please void OCB421 REVISED EDITION-B.

Note:

- This manual does not cover outdoor units. When servicing them, please refer to the outdoor unit's service manual.
- RoHS compliant products have <G> mark on the spec name plate.



CONTENTS

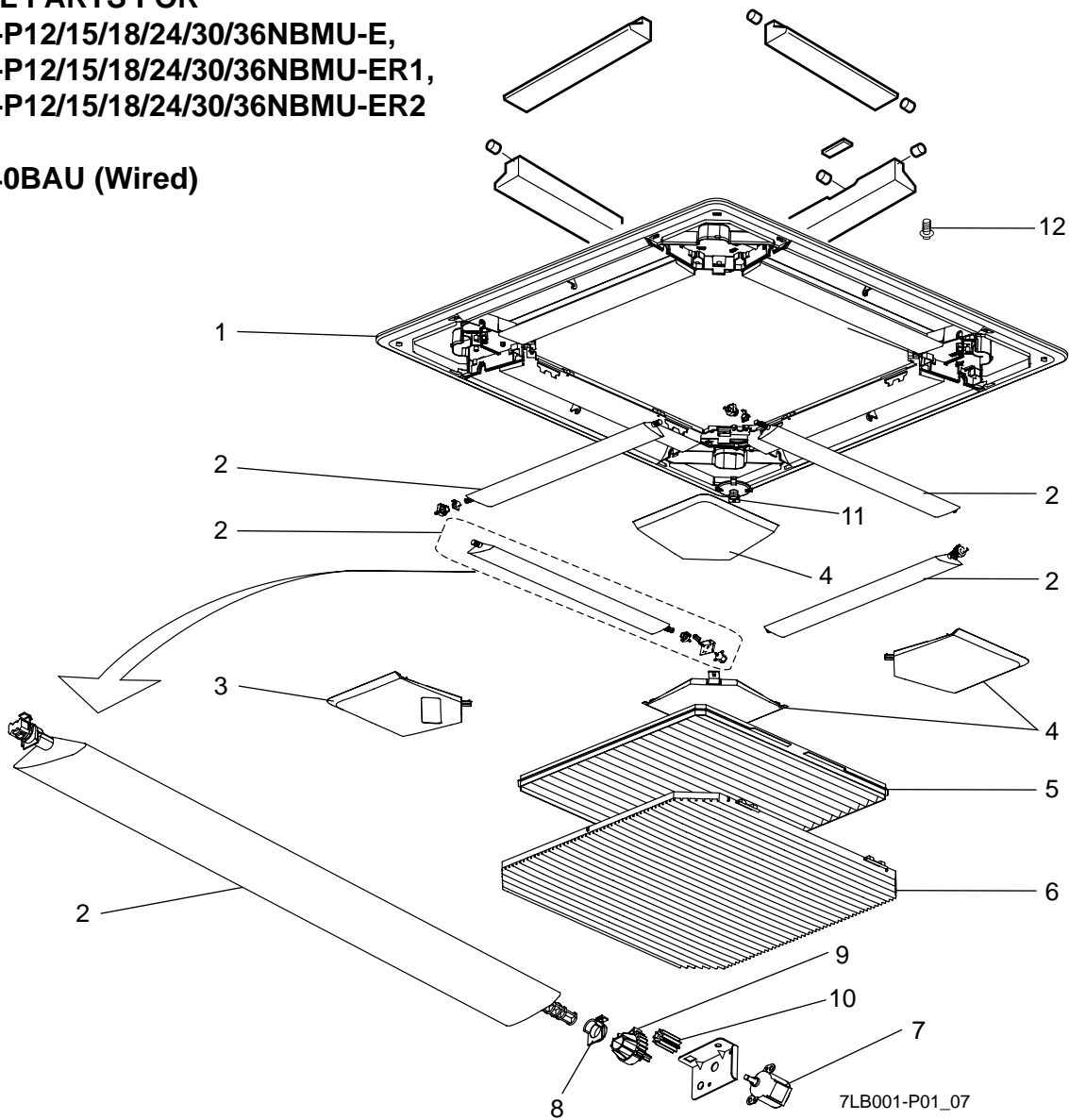
1. RoHS PARTS LIST.....2
2. OPTIONAL PARTS.....Back cover

SERVICE MANUAL (OCH421)

Panel model: PLP-40BAU

PANEL PARTS FOR
 PLFY-P12/15/18/24/30/36NBMU-E,
 PLFY-P12/15/18/24/30/36NBMU-ER1,
 PLFY-P12/15/18/24/30/36NBMU-ER2

PLP-40BAU (Wired)

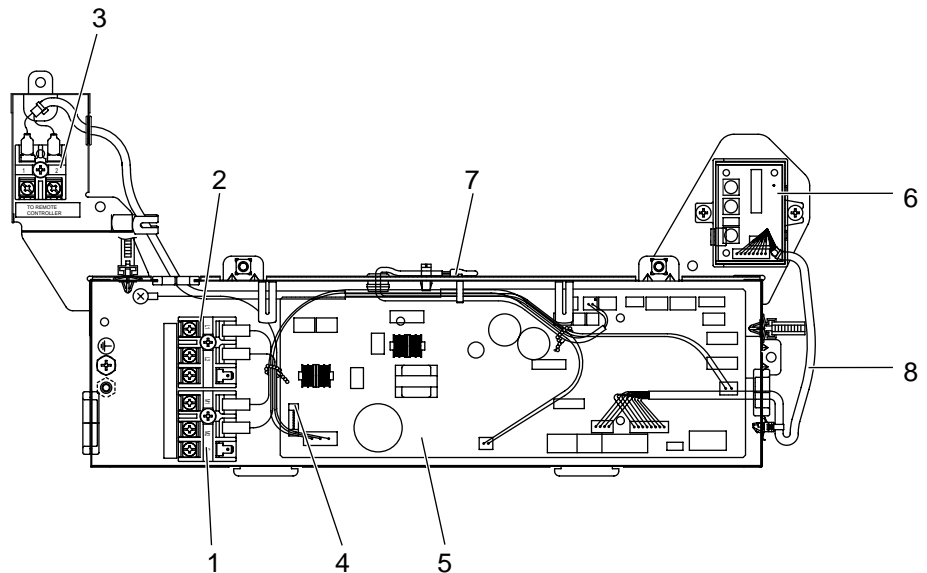


No.	ROHS	Part No.	Part Name	Specification	Q'ty/unit	Remarks (Drawing No.)	Wiring Diagram Symbol	Recom- mended Q'ty
					PLP-40BAU			
1	G	T7W E21 003	AIR OUTLET GRILLE		1			
2	G	T7W E13 002	VANE ASSY		4			
3	G	T7W E03 638	CORNER PANEL		1			
4	G	R01 E21 638	CORNER PANEL		3			
5	G	R01 E16 500	L. L. FILTER		1			
6	G	R01 E35 691	GRILLE ASSY		1			
7	G	R01 E19 223	STEPPING MOTOR		4		MV	
8	G	R01 E02 063	VANE BUSH		4			
9	G	R01 E03 040	GEAR(VANE)		4			
10	G	R01 E04 040	GEAR(S/M)		4			
11	G	R01 E03 523	SOCKET		1			
12	G	R01 E02 673	SCREW ASSY		1	4pcs/set, Accessory		

RoHS PARTS LIST

ELECTRICAL PARTS

PLFY-P12NBMU-E
 PLFY-P15NBMU-E
 PLFY-P18NBMU-E
 PLFY-P24NBMU-E
 PLFY-P30NBMU-E
 PLFY-P36NBMU-E
 PLFY-P12NBMU-ER1
 PLFY-P15NBMU-ER1
 PLFY-P18NBMU-ER1
 PLFY-P24NBMU-ER1
 PLFY-P30NBMU-ER1
 PLFY-P36NBMU-ER1
 PLFY-P12NBMU-ER2
 PLFY-P15NBMU-ER2
 PLFY-P18NBMU-ER2
 PLFY-P24NBMU-ER2
 PLFY-P30NBMU-ER2
 PLFY-P36NBMU-ER2



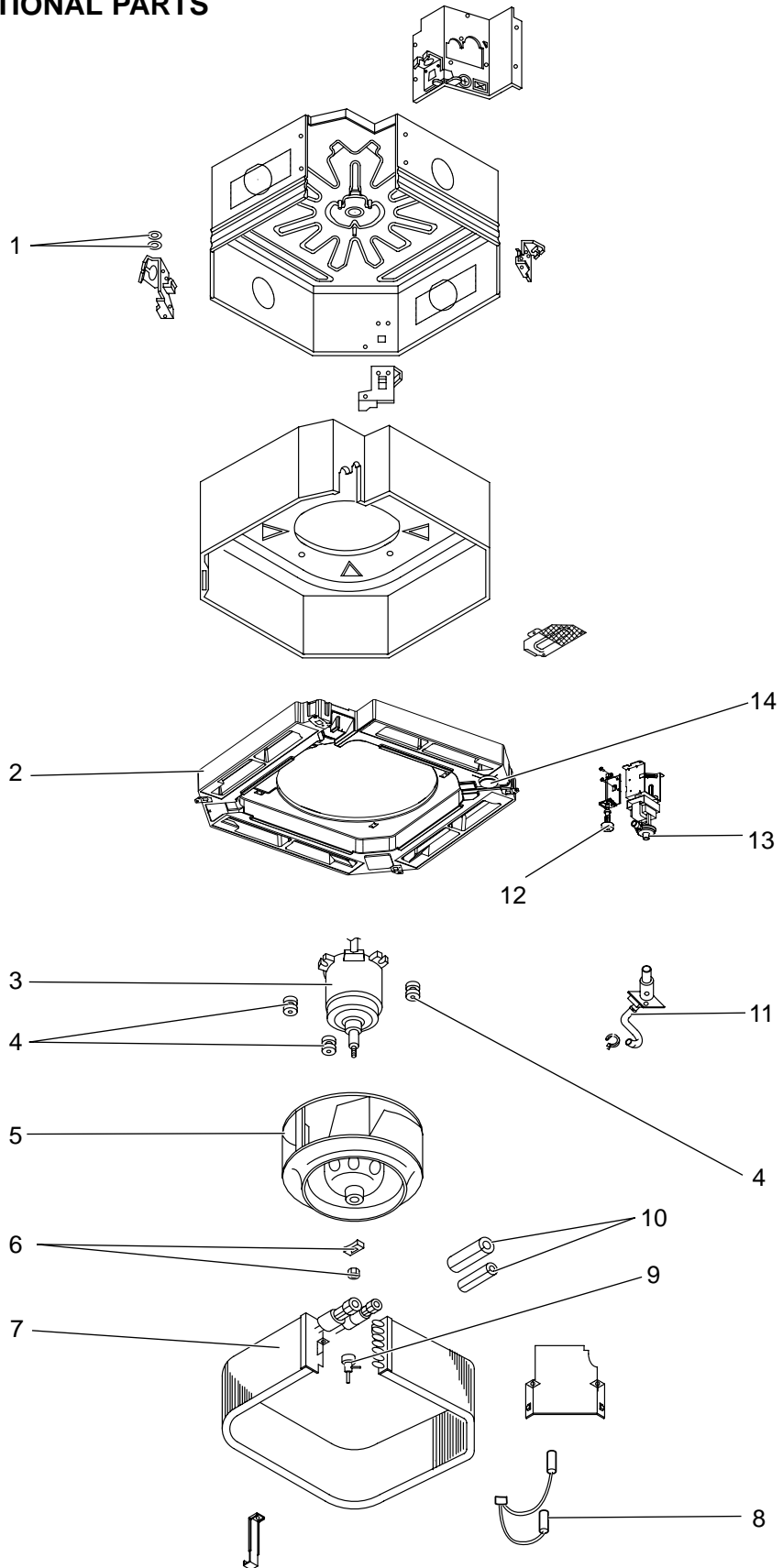
7LB001-E05_01

No.	RoHS	Part No.	Part Name	Specification	Q'ty/unit			Remarks (Drawing No.)	Wiring Diagram Symbol	Recom- mended Q'ty
					PLFY-P					
					12/15/18/24/30/36					
					NBMU-E	NBMU-ER1	NBMU-ER2			
1	G	R01 E27 246	TERMINAL BLOCK	3P (M1,M2,S)	1	1	1		TB5	
2	G	T7W E43 716	TERMINAL BLOCK	3P (L1,L2,GR)	1	1	1		TB2	
3	G	R01 E48 246	TERMINAL BLOCK	2P (1,2)	1	1	1		TB15	
4	G	R01 E06 239	FUSE	6.3A, 250V	1	1	1		FUSE	
5	G	T7W E60 310	INDOOR CONTROLLER BOARD		1				I.B	
	G	T7W E79 310	INDOOR CONTROLLER BOARD			1			I.B	
	G	T7W C03 310	INDOOR CONTROLLER BOARD				1		I.B	
6	G	T7W E01 294	ADDRESS BOARD		1	1	1		A.B	
7	G	R01 H18 202	ROOM TEMP. THERMISTOR		1	1	1		TH1	
8	G	R01 E09 305	CABLE		1	1	1			

RoHS PARTS LIST

STRUCTURAL AND FUNCTIONAL PARTS

- PLFY-P12NBMU-E
- PLFY-P15NBMU-E
- PLFY-P18NBMU-E
- PLFY-P24NBMU-E
- PLFY-P30NBMU-E
- PLFY-P36NBMU-E
- PLFY-P12NBMU-ER1
- PLFY-P15NBMU-ER1
- PLFY-P18NBMU-ER1
- PLFY-P24NBMU-ER1
- PLFY-P30NBMU-ER1
- PLFY-P36NBMU-ER1
- PLFY-P12NBMU-ER2
- PLFY-P15NBMU-ER2
- PLFY-P18NBMU-ER2
- PLFY-P24NBMU-ER2
- PLFY-P30NBMU-ER2
- PLFY-P36NBMU-ER2



7LB001-A01.06

RoHS PARTS LIST

No.	RoHS	Part No.	Part Name	Specification	Q'ty/unit						Remarks (Drawing No.)	Wiring Diagram Symbol	Recom- mended Q'ty
					PLFY-P-NBMU-E								
					PLFY-P-NBMU-ER1								
PLFY-P-NBMU-ER2													
12	15	18	24	30	36								
1	G	R01 E13 097	WASHERS SET		1	1	1	1	1	1			
2	G	T7W E34 529	DRAIN PAN		1	1	1	1	1	1			
3	G	R01 E59 220	FAN MOTOR		1	1	1	1	1			MF	
	G	R01 E44 220	FAN MOTOR							1		MF	
4	G	R01 E14 105	MOTOR MOUNT		3	3	3	3	3	3			
5	G	R01 E39 114	TURBO FAN		1	1	1	1	1				
	G	R01 E34 114	TURBO FAN							1			
6	G	R01 10K 097	SPL WASHER / NUT	M6	1	1	1	1	1				
	G	R01 11K 097	SPL WASHER / NUT	M8						1			
7	G	R01 N00 480	HEAT EXCHANGER		1								
	G	R01 N02 480	HEAT EXCHANGER			1							
	G	T7W H61 480	HEAT EXCHANGER				1						
	G	R01 N03 480	HEAT EXCHANGER					1					
	G	R01 N05 480	HEAT EXCHANGER						1				
	G	T7W H96 480	HEAT EXCHANGER							1			
8	G	T7W E50 202	THERMISTOR		1	1	1	1	1	1		TH22/TH23	
9	G	R01 H16 401	LINEAR EXPANSION VALVE		1	1	1	1				LEV	
	G	R01 H17 401	LINEAR EXPANSION VALVE						1	1		LEV	
10	G	R01 E02 660	PIPE COVERS SET		1	1	1	1	1	1			
11	G	R01 E05 523	DRAIN SOCKET		1	1	1	1	1	1			
12	G	R01 E04 272	FLOAT SENSOR		1	1	1	1	1	1		FS	
13	G	T7W E14 355	DRAIN PUMP		1	1	1	1	1	1		DP	
14	G	R01 E02 524	DRAIN PLUG		1	1	1	1	1	1			

2**OPTIONAL PARTS****2-1. MULTI FUNCTION CASEMENT**

Part No.	PAC-SH53TM-E
----------	--------------

2-2. AIR OUTLET SHUTTER PLATE

Part No.	PAC-SH51SP-E
----------	--------------

2-3. HIGH EFFICIENCY FILTER (PAC-SH53TM-E is required in using this optional part.)

Part No.	PAC-SH59KF-E
----------	--------------

2-4. i-SEE SENSOR CORNER PANEL

Part No.	PAC-SA1ME-E
----------	-------------

2-5. FLANGE FOR FRESH AIR INTAKE

Part No.	PAC-SH65OF-E
----------	--------------

2-6. WIRED REMOTE CONTROLLER (MA REMOTE CONTROLLER)

Part No.	PAR-21MAA
----------	-----------

2-7. WIRED REMOTE CONTROLLER (ME REMOTE CONTROLLER)

Part No.	PAR-F27MEA-US
----------	---------------

2-8. DECORATION PANEL

Part No.	PLP-40BAU
----------	-----------

MITSUBISHI ELECTRIC CORPORATION

HEAD OFFICE : TOKYO BLDG., 2-7-3, MARUNOUCHI, CHIYODA-KU, TOKYO 100-8310, JAPAN