

Air-Conditioners PLA-A·BA4

INSTALLATION MANUAL

For safe and correct use, read this manual and the outdoor unit installation manual thoroughly before installing the air-conditioner unit.

FOR INSTALLER

MANUEL D'INSTALLATION

Avant d'installer le climatiseur, lire attentivement ce manuel, ainsi que le manuel d'installation de l'appareil extérieur pour une utilisation sûre et correcte.

POUR L'INSTALLATEUR

MANUAL DE INSTALACIÓN

Para un uso seguro y correcto, lea detalladamente este manual de instalación antes de montar la unidad de aire acondicionado.

PARA EL INSTALADOR

English

Français

Español

Contents

| | | | |
|--|---|-------------------------------------|----|
| 1. Safety precautions..... | 2 | 6. Electrical work | 7 |
| 2. Installation location..... | 3 | 7. Test run..... | 10 |
| 3. Installing the indoor unit | 3 | 8. System control | 13 |
| 4. Installing the refrigerant piping | 5 | 9. Installing the grille..... | 13 |
| 5. Drainage piping work..... | 6 | 10. Easy maintenance function | 15 |

1. Safety precautions

- ▶ Before installing the unit, make sure you read all the “Safety precautions”.
- ▶ Please report to your supply authority or obtain their consent before connecting this equipment to the power supply system.

⚠ Warning:
Describes precautions that must be observed to prevent danger of injury or death to the user.

⚠ Caution:
Describes precautions that must be observed to prevent damage to the unit.

- ⚠ Warning:**
- Ask a dealer or an authorized technician to install the unit.
 - For installation work, follow the instructions in the Installation Manual and use tools and pipe components specifically made for use with refrigerant specified in the outdoor unit installation manual.
 - The unit must be installed according to the instructions in order to minimize the risk of damage from earthquakes, typhoons, or strong winds. An incorrectly installed unit may fall down and cause damage or injuries.
 - The unit must be securely installed on a structure that can sustain its weight.
 - If the air conditioner is installed in a small room, measures must be taken to prevent the refrigerant concentration in the room from exceeding the safety limit in the event of refrigerant leakage. Should the refrigerant leak and cause the concentration limit to be exceeded, hazards due to lack of oxygen in the room may result.
 - Ventilate the room if refrigerant leaks during operation. If refrigerant comes into contact with a flame, poisonous gases will be released.
 - All electric work must be performed by a qualified technician according to local regulations and the instructions given in this manual.
 - Use only specified cables for wiring.

1.1. Before installation (Environment)

- ⚠ Caution:**
- Do not use the unit in an unusual environment. If the air conditioner is installed in areas exposed to steam, volatile oil (including machine oil), or sulfuric gas, areas exposed to high salt content such as the seaside, the performance can be significantly reduced and the internal parts can be damaged.
 - Do not install the unit where combustible gases may leak, be produced, flow, or accumulate. If combustible gas accumulates around the unit, fire or explosion may result.
 - Do not keep food, plants, caged pets, artwork, or precision instruments in the direct airflow of the indoor unit or too close to the unit, as these items can be damaged by temperature changes or dripping water.

1.2. Before installation or relocation

- ⚠ Caution:**
- Be extremely careful when transporting the units. Two or more persons are needed to handle the unit, as it weighs 20 kg, 40 lbs or more. Do not grasp the packaging bands. Wear protective gloves as you can injure your hands on the fins or other parts.
 - Be sure to safely dispose of the packaging materials. Packaging materials, such as nails and other metal or wooden parts may cause stabs or other injuries.

1.3. Before electric work

- ⚠ Caution:**
- Be sure to install circuit breakers. If not installed, electric shock may result.
 - For the power lines, use standard cables of sufficient capacity. Otherwise, a short circuit, overheating, or fire may result.
 - When installing the power lines, do not apply tension to the cables.

1.4. Before starting the test run

- ⚠ Caution:**
- Turn on the main power switch more than 12 hours before starting operation. Starting operation just after turning on the power switch can severely damage the internal parts.
 - Before starting operation, check that all panels, guards and other protective parts are correctly installed. Rotating, hot, or high voltage parts can cause injuries.

After installation work has been completed, explain the “Safety Precautions,” use, and maintenance of the unit to the customer according to the information in the Operation Manual and perform the test run to ensure normal operation. Both the Installation Manual and Operation Manual must be given to the user for keeping. These manuals must be passed on to subsequent users.

⚡ :Indicates a part which must be grounded.

⚠ Warning:
Carefully read the labels affixed to the main unit.

⚠ Caution:
Appliances not accessible to the general public.
Install the indoor unit at least 2.4 m (94-1/2 inch) above floor or grade level.

- The terminal block cover panel of the unit must be firmly attached.
- Use only accessories authorized by Mitsubishi Electric and ask a dealer or an authorized technician to install them.
- The user should never attempt to repair the unit or transfer it to another location.
- After installation has been completed, check for refrigerant leaks. If refrigerant leaks into the room and comes into contact with the flame of a heater or portable cooking range, poisonous gases will be released.
- When installing or relocating, or servicing the air conditioner, use only the specified refrigerant (R410A) to charge the refrigerant lines. Do not mix it with any other refrigerant and do not allow air to remain in the lines. If air is mixed with the refrigerant, then it can be the cause of abnormal high pressure in the refrigerant line, and may result in an explosion and other hazards.
The use of any refrigerant other than that specified for the system will cause mechanical failure or system malfunction or unit breakdown. In the worst case, this could lead to a serious impediment to securing product safety.

- When the room humidity exceeds 80% or when the drainpipe is clogged, water may drip from the indoor unit. Do not install the indoor unit where such dripping can cause damage.
- When installing the unit in a hospital or communications office, be prepared for noise and electronic interference. Inverters, home appliances, high-frequency medical equipment, and radio communications equipment can cause the air conditioner to malfunction or breakdown. The air conditioner may also affect medical equipment, disturbing medical care, and communications equipment, harming the screen display quality.

- Thermal insulation of the refrigerant pipe is necessary to prevent condensation. If the refrigerant pipe is not properly insulated, condensation will be formed.
- Place thermal insulation on the pipes to prevent condensation. If the drainpipe is installed incorrectly, water leakage and damage to the ceiling, floor, furniture, or other possessions may result.
- Do not clean the air conditioner unit with water. Electric shock may result.
- Tighten all flare nuts to specification using a torque wrench. If tightened too much, the flare nut can break after an extended period.

- Be sure to ground the unit. If the unit is not properly grounded, electric shock may result.
- Use circuit breakers (ground fault interrupter, isolating switch (+B fuse), and molded case circuit breaker) with the specified capacity. If the circuit breaker capacity is larger than the specified capacity, breakdown or fire may result.

- Do not operate the air conditioner without the air filter set in place. If the air filter is not installed, dust may accumulate and breakdown may result.
- Do not touch any switch with wet hands. Electric shock may result.
- Do not touch the refrigerant pipes with bare hands during operation.
- After stopping operation, be sure to wait at least five minutes before turning off the main power switch. Otherwise, water leakage or breakdown may result.

2. Installation location

Refer to the outdoor unit installation manual.

3. Installing the indoor unit

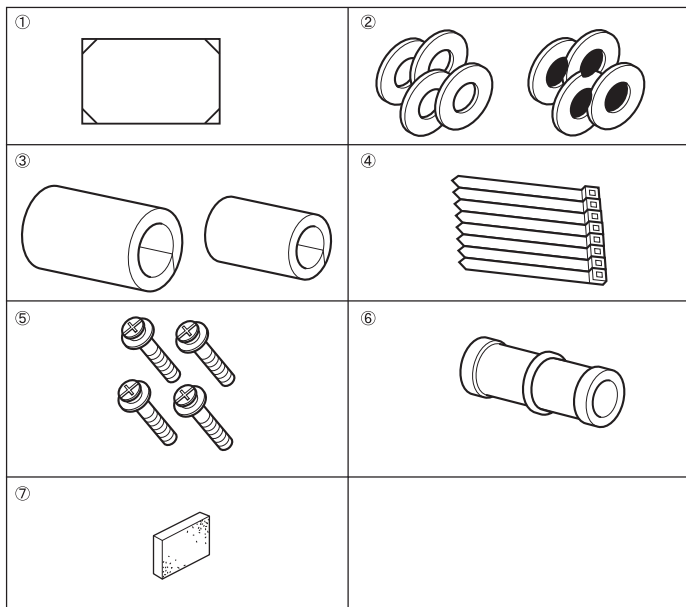


Fig. 3-1

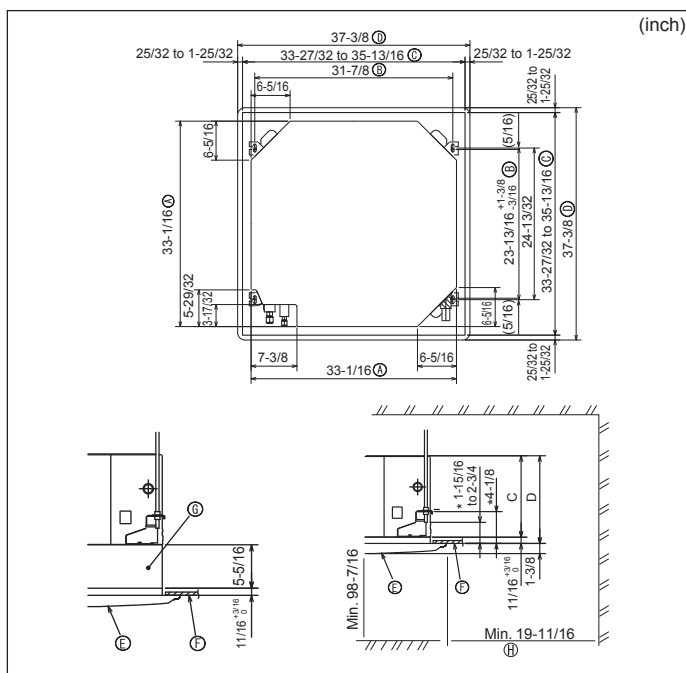


Fig. 3-2

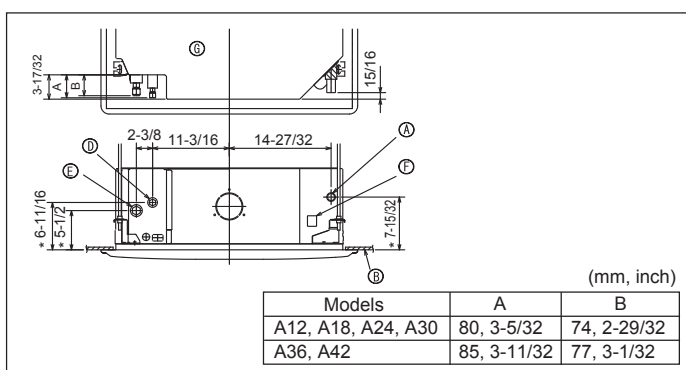


Fig. 3-3

3.1. Check the indoor unit accessories (Fig. 3-1)

The indoor unit should be supplied with the following accessories.

| | Accessory name | Q'ty |
|---|---|------|
| ① | Installation template | 1 |
| ② | Washers (with insulation) | 4 |
| | Washers (without insulation) | 4 |
| ③ | Pipe cover (for refrigerant piping joint) | |
| | Small diameter | 1 |
| | Large diameter | 1 |
| ④ | Band | 8 |
| ⑤ | Screw with washer (M5 × 25) for mounting grille | 4 |
| ⑥ | Drain socket | 1 |
| ⑦ | Insulation | 1 |

3.2. Ceiling openings and suspension bolt installation locations (Fig. 3-2)

⚠ Caution:

Install the indoor unit at least 2.4m (94-1/2inch) above floor or grade level.

- Using the installation template (top of the package) and the gauge (supplied as an accessory with the grille), make an opening in the ceiling so that the main unit can be installed as shown in the diagram. (The method for using the template and the gauge is shown.)
 - Before using, check the dimensions of template and gauge, because they change due to fluctuations of temperature and humidity.
 - The dimensions of ceiling opening can be regulated within the range shown in Fig.3-2; so center the main unit against the opening of ceiling, ensuring that the respective opposite sides on all sides of the clearance between them becomes identical.
- Use M10 (3/8") suspension bolts.
 - Suspension bolts are to be procured at the field.
- Install securely, ensuring that there is no clearance between the ceiling panel & grille, and between the main unit & grille.

- Ⓐ Outer side of main unit
- Ⓑ Bolt pitch
- Ⓒ Ceiling opening
- Ⓓ Outer side of Grille
- Ⓔ Grille
- Ⓕ Ceiling
- Ⓖ Multi function casement (option)
- Ⓗ Entire periphery

*Note that the space between ceiling panel of the unit and ceiling slab, etc. must be 10 to 15 mm, 25/64 to 19/32 inch.

* When the optional multi-functional casement is installed, add 135 mm, 5-5/16 inch to the dimensions marked on the figure.

(mm, inch)

| Models | C | D |
|--------------------|---------------|---------------|
| A12, A18, A24, A30 | 241, 9-1/2" | 258, 10-3/16" |
| A36, A42 | 281, 11-1/16" | 298, 11-3/4" |

3.3. Refrigerant and drainage piping locations of indoor unit

The figure marked with * in the drawing represent the dimensions of the main unit excluding those of the optional multi function casement. (Fig. 3-3)

- Ⓐ Drain pipe
- Ⓑ Ceiling
- Ⓒ Grille
- Ⓓ Refrigerant pipe (liquid)
- Ⓔ Refrigerant pipe (gas)
- Ⓕ Water supply inlet
- Ⓖ Main unit

* When the optional multi-functional casement is installed, add 135 mm, 5-5/16inch to the dimensions marked on the figure.

3. Installing the indoor unit

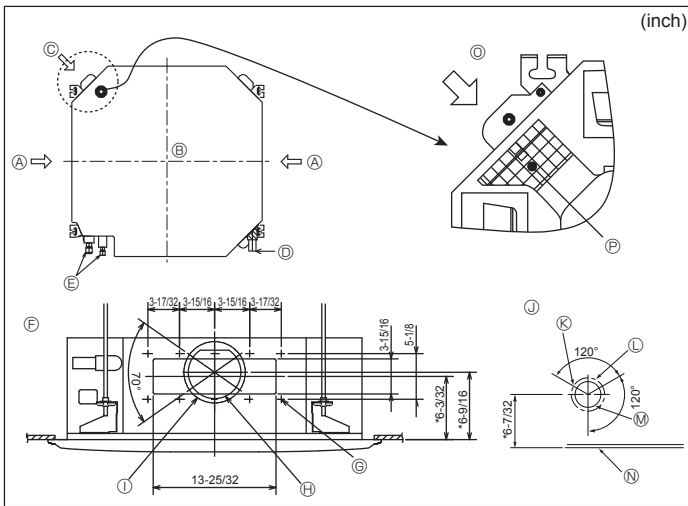


Fig. 3-4

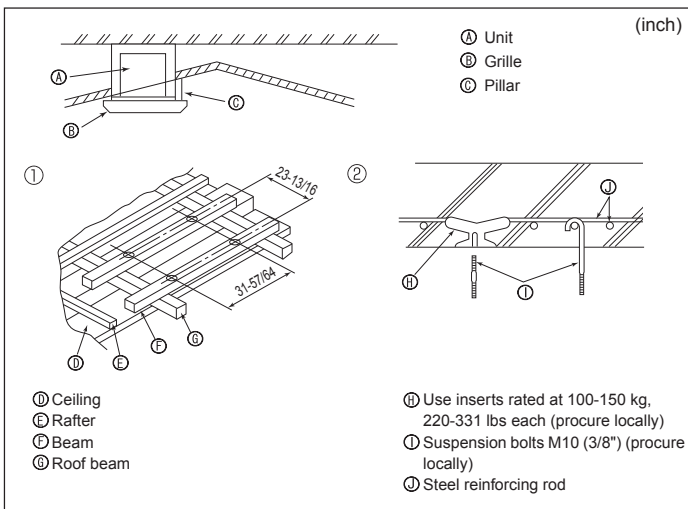


Fig. 3-5

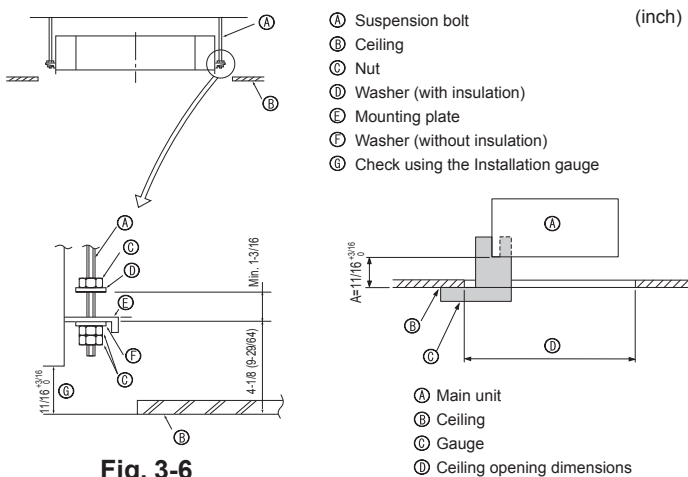


Fig. 3-6

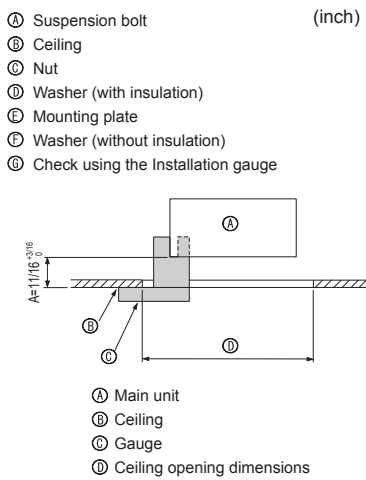


Fig. 3-7

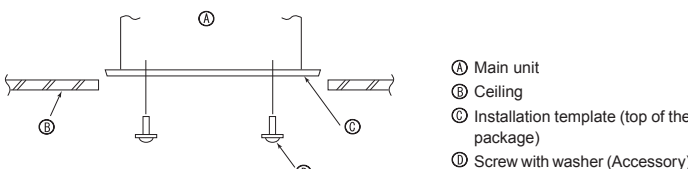


Fig. 3-8

3.4. Branch duct hole and fresh air intake hole (Fig. 3-4)

At the time of installation, use the duct holes (cut out) located at the positions shown in Fig3-4, as and when required.

- A fresh air intake hole for the optional multi function casement can also be made.

Note:

The figure marked with * in the drawing represent the dimensions of the main unit excluding those of the optional multi function casement.

When installing the optional multi function casement, add 135 mm, 5-5/16 inch to the dimensions marked on the figure.

When installing the branch ducts, be sure to insulate adequately. Otherwise condensation and dripping may occur.

When installing the fresh air intake hole, be sure to remove the insulator P that is pasted on the indoor unit.

- | | |
|---|---|
| A Branch duct hole | H \varnothing 150 mm, \varnothing 5-29/32 inch cut out hole |
| B Indoor unit | I \varnothing 175 mm, \varnothing 6-7/8 inch burring hole pitch |
| C Fresh air intake hole | J Fresh air intake hole diagram |
| D Drain pipe | K 3- \varnothing 2.8 mm, \varnothing 1/8 inch burring hole |
| E Refrigerant pipe | L \varnothing 125 mm, \varnothing 4-29/32 inch burring hole pitch |
| F Branch duct hole diagram | M \varnothing 100 mm, \varnothing 3-15/16 inch cut out hole |
| G (view from either side) | N Ceiling |
| O 14- \varnothing 2.8 mm, \varnothing 1/8 inch burring hole | P Detailed figure of removing the insulator hole |
| | Q Insulator |

3.5. Suspension structure (Give site of suspension strong structure) (Fig. 3-5)

- The ceiling differs according to the construction of the building. Building constructors and interior decorators should be consulted for details.

- (1) Extent of ceiling removal: The ceiling must be kept completely horizontal and the ceiling foundation (framework: wooden slats and slat holders) must be reinforced in order to protect the ceiling from vibration.
- (2) Cut and remove the ceiling foundation.
- (3) Reinforce the ends of the ceiling foundation where it has been cut and add ceiling foundation for securing the ends of the ceiling board.
- (4) When installing the unit on a slanted ceiling, attach a pillar between the ceiling and the grille and set so that the unit is installed horizontally.

- ① Wooden structures
 - Use tie beams (single storied houses) or second floor beams (two story houses) as reinforcing members.
 - Wooden beams for suspending air conditioners must be sturdy and their sides must be at least 6 cm, 2-3/8 inch long if the beams are separated by not more than 90 cm, 35-7/16 inch and their sides must be at least 9 cm, 3-9/16 inch long if the beams are separated by as much as 180 cm, 70-7/18 inch. The size of the suspension bolts should be \varnothing 10 (3/8"). (The bolts do not come with the unit.)

② Ferro-concrete structures

Secure the suspension bolts using the method shown, or use steel or wooden hangers, etc. to install the suspension bolts.

3.6. Unit suspension procedures (Fig. 3-6)

Suspend the main unit as shown in the diagram.

Figures given in parentheses represent the dimensions in case of installing optional multi function casement.

1. In advance, set the parts onto the suspension bolts in the order of the washers (with insulation), washers (without insulation) and nuts (double).
 - Fit the washer with cushion so that the insulation faces downward.
 - In case of using upper washers to suspend the main unit, the lower washers (with insulation) and nuts (double) are to be set later.
2. Lift the unit to the proper height of the suspension bolts to insert the mounting plate between washers and then fasten it securely.
3. When the main unit can not be aligned against the mounting hole on the ceiling, it is adjustable owing to a slot provided on the mounting plate.
 - Make sure that A is performed within 17-22 mm, 11/16 to 7/8 inch. Damage could result by failing to adhere to this range. (Fig. 3-7)

⚠ Caution:

Use the top half of the box as a protective cover to prevent dust or debris from getting inside the unit prior to installation of the decorative cover or when applying ceiling materials.

3.7. Confirming the position of main unit and tightening the suspension bolts (Fig. 3-8)

- Using the gauge attached to the grille, ensure that the bottom of the main unit is properly aligned with the opening of the ceiling. Be sure to confirm this, otherwise condensation may form and drip due to air leakage, etc.
- Confirm that the main unit is horizontally levelled, using a level or a vinyl tube filled with water.
- After checking the position of the main unit, tighten the nuts of the suspension bolts securely to fasten the main unit.
- The installation template (top of the package) can be used as a protective sheet to prevent dust from entering the main unit when the grilles are left unattached for a while or when the ceiling materials are to be lined after installation of the unit is finished.
- * As for the details of fitting, refer to the instructions given on the Installation template.

4. Installing the refrigerant piping

4.1. Precautions

For devices that use R410A refrigerant

- Use ester oil, ether oil or alkylbenzene oil (small amount) as the refrigeration oil applied to the flared sections.
- Use C1220 copper phosphorus for copper and copper alloy seamless pipes, to connect the refrigerant pipes. Use refrigerant pipes with the thicknesses specified in the table below. Make sure the insides of the pipes are clean and do not contain any harmful contaminants such as sulfuric compounds, oxidants, debris, or dust.

⚠ Warning:

When installing or relocating, or servicing the air conditioner, use only the specified refrigerant (R410A) to charge the refrigerant lines. Do not mix it with any other refrigerant and do not allow air to remain in the lines. If air is mixed with the refrigerant, then it can be the cause of abnormal high pressure in the refrigerant line, and may result in an explosion and other hazards.

The use of any refrigerant other than that specified for the system will cause mechanical failure or system malfunction or unit breakdown. In the worst case, this could lead to a serious impediment to securing product safety.

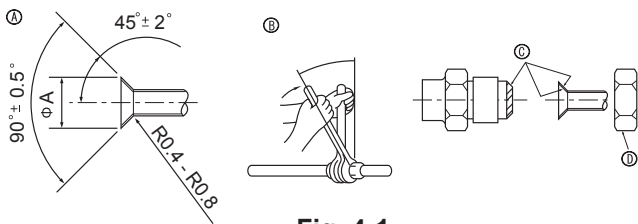


Fig. 4-1

Ⓐ Flare cutting dimensions

| Copper pipe O.D. (mm, inch) | Flare dimensions φA dimensions (mm, inch) |
|--------------------------------|--|
| φ6.35, 1/4 | 8.7 - 9.1, 11/32 - 23/64 |
| φ9.52, 3/8 | 12.8 - 13.2, 1/2 - 33/64 |
| φ12.7, 1/2 | 16.2 - 16.6, 41/64 - 21/32 |
| φ15.88, 5/8 | 19.3 - 19.7, 49/64 - 25/32 |
| φ19.05, 3/4 | 23.6 - 24.0, 15/16 - 61/64 |

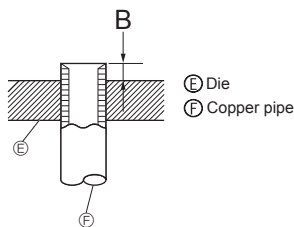


Fig. 4-2

| Copper pipe O.D. mm (inch) | B (mm, inch) |
|-------------------------------|-------------------------------------|
| | Flare tool for R410A Clutch type |
| φ6.35 (1/4") | 1.0 - 1.5, 3/64 - 1/16 |
| φ9.52 (3/8") | 1.0 - 1.5, 3/64 - 1/16 |
| φ12.7 (1/2") | 1.0 - 1.5, 3/64 - 1/16 |
| φ15.88 (5/8") | 1.0 - 1.5, 3/64 - 1/16 |
| φ19.05 (3/4") | 1.0 - 1.5, 3/64 - 1/16 |

| | A12, A18 | A24, A30, A36, A42 |
|-------------|---|--|
| Liquid pipe | ø6.35 mm, ø1/4 inch thickness 0.8mm, 1/32 inch | ø9.52 mm, ø3/8 inch thickness 0.8mm, 1/32 inch |
| Gas pipe | ø12.7 mm, ø1/2 inch thickness 0.8mm, 1/32 inch | ø15.88 mm, ø5/8 inch thickness 1.0mm, 3/64 inch |

- Do not use pipes thinner than those specified above.

4.2. Connecting pipes (Fig. 4-1)

- When commercially available copper pipes are used, wrap liquid and gas pipes with commercially available insulation materials (heat-resistant to 100 °C, 212 °F or more, thickness of 12 mm, 1/2 inch or more).
- The indoor parts of the drain pipe should be wrapped with polyethylene foam insulation materials (specific gravity of 0.03, thickness of 9 mm, 23/64 inch or more).
- Apply thin layer of refrigerant oil to pipe and joint seating surface before tightening flare nut.
- Use two wrenches to tighten piping connections.
- Use refrigerant piping insulation provided to insulate indoor unit connections. Insulate carefully.

Ⓑ Flare nut tightening torque

| Copper pipe O.D. (mm, inch) | Flare nut O.D. (mm, inch) | Tightening torque (N-m, ftlbs) |
|--------------------------------|------------------------------|-----------------------------------|
| ø6.35, 1/4 | 17, 43/64 | 14-18, 10-13 |
| ø6.35, 1/4 | 22, 7/8 | 34-42, 25-30 |
| ø9.52, 3/8 | 22, 7/8 | 34-42, 25-30 |
| ø12.7, 1/2 | 26, 1-3/64 | 49-61, 35-44 |
| ø12.7, 1/2 | 29, 1-9/64 | 68-82, 49-59 |
| ø15.88, 5/8 | 29, 1-9/64 | 68-82, 49-59 |
| ø15.88, 5/8 | 36, 1-27/64 | 100-120, 71-86 |
| ø19.05, 3/4 | 36, 1-27/64 | 100-120, 71-86 |

Ⓒ Apply refrigerating machine oil over the entire flare seat surface.

Ⓓ Use correct flare nuts meeting the pipe size of the outdoor unit.

Available pipe size

| | A12, A18 | A24, A30, A36, A42 |
|-------------|----------|--------------------|
| Liquid side | ø6.35 ○ | ø9.52 ○ |
| Gas side | ø12.7 ○ | ø15.88 ○ |

○ : Factory flare nut attachment to the heat exchanger.

4. Installing the refrigerant piping

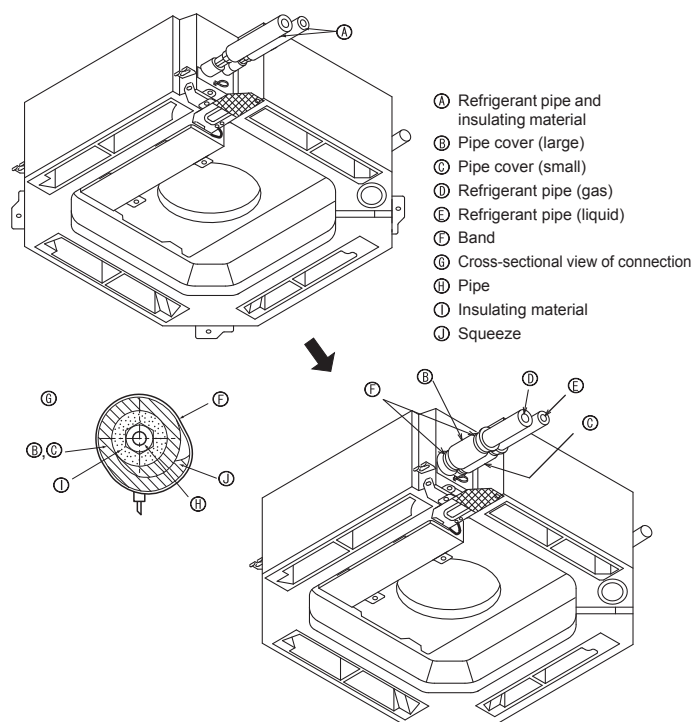


Fig. 4-3

4.3. Indoor unit (Fig. 4-3)

Heat insulation for refrigerant pipes:

- 1 Wrap the enclosed large-sized pipe cover around the gas pipe, making sure that the end of the pipe cover touches the side of the unit.
 - 2 Wrap the enclosed small-sized pipe cover around the liquid pipe, making sure that the end of the pipe cover touches the side of the unit.
 - 3 Secure both ends of each pipe cover with the enclosed bands. (Attach the bands 20 mm, 25/32 inch from the ends of the pipe cover.)
- After connecting the refrigerant piping to the indoor unit, be sure to test the pipe connections for gas leakage with nitrogen gas. (Check that there is no refrigerant leakage from the refrigerant piping to the indoor unit.)

4.4. For twin/triple combination

Refer to the outdoor unit installation manual.

5. Drainage piping work

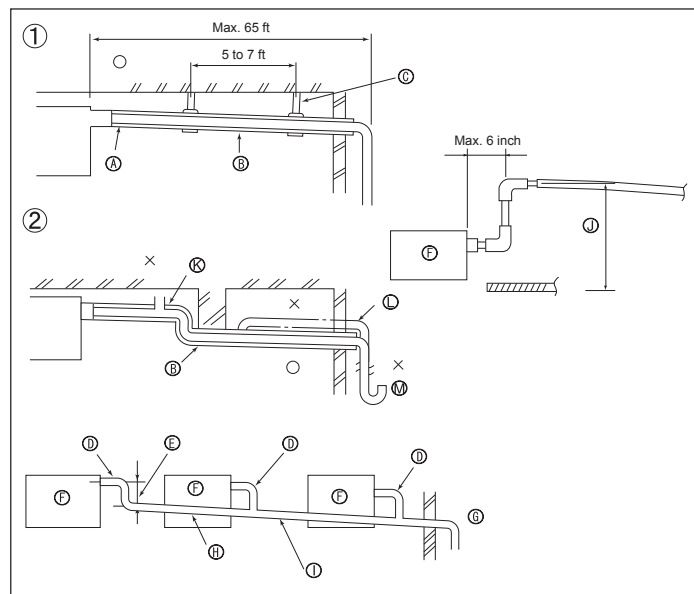


Fig. 5-1

5.1. Drainage piping work (Fig. 5-1)

- Use VP25 (O.D. ϕ 32 mm, 1-1/4 inch PVC TUBE) for drain piping and provide 1/100 or more downward slope.
- Be sure to connect the piping joints using a polyvinyl type adhesive.
- Observe the figure for piping work.
- Use the included drain hose to change the extraction direction.

- | | |
|---|-----------------|
| ① Correct piping | ⓐ Support metal |
| ② Wrong piping | ⓑ Air bleeder |
| Ⓐ Insulation (9 mm, 23/64 inch or more) | Ⓒ Raised |
| Ⓑ Downward slope (1/100 or more) | ⓓ Odor trap |

Grouped piping

- | | |
|--|--|
| Ⓓ O.D. ϕ 32 mm, 1-1/4 inch PVC TUBE | Ⓗ Downward slope (1/100 or more) |
| Ⓔ Make it as large as possible | ⓑ O.D. ϕ 38 mm, 1-1/2 inch PVC TUBE for grouped piping. (9 mm, 23/64 inch or more insulation) |
| Ⓕ Indoor unit | Ⓙ Up to 850 mm, 33-7/16 inch piping. |
| Ⓖ Make the piping size large for grouped | |

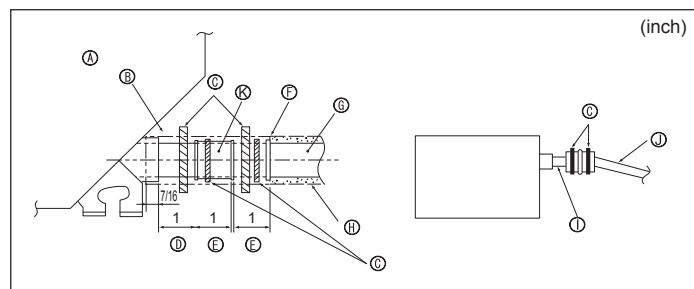


Fig. 5-2

1. Connect the drain socket (supplied with the unit) to the drain port. (Fig. 5-2) (Fix the tube using PVC adhesive then secure it with a band.)
2. Install a locally purchased drain pipe (PVC pipe, O.D. ϕ 32mm, 1-1/4 inch). (Fix the pipe using PVC adhesive then secure it with a band.)
3. Insulate the tube and pipe. (PVC pipe, O.D. ϕ 32mm, 1-1/4 inch and socket)
4. Check that drain flows smoothly.
5. Insulate the drain port with insulating material, then secure the material with a band. (Both insulating material and band are supplied with the unit.)

- | | |
|----------------------------|--|
| Ⓐ Unit | Ⓖ Drain pipe (O.D. ϕ 32mm, 1-1/4inch PVC TUBE) |
| Ⓑ Insulating material | Ⓗ Insulating material (purchased locally) |
| Ⓒ Band | ⓑ Transparent PVC pipe |
| Ⓓ Drain port (transparent) | Ⓙ O.D. ϕ 32 mm, 1-1/4 inch PVC TUBE (Slope 1/100 or more) |
| Ⓔ Insertion margin | ⓓ Drain socket |
| Ⓕ Matching | |

6. Electrical work

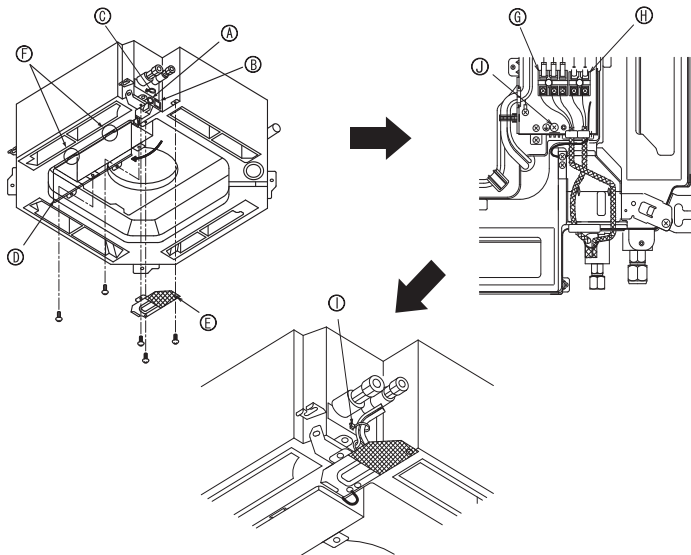


Fig. 6-1

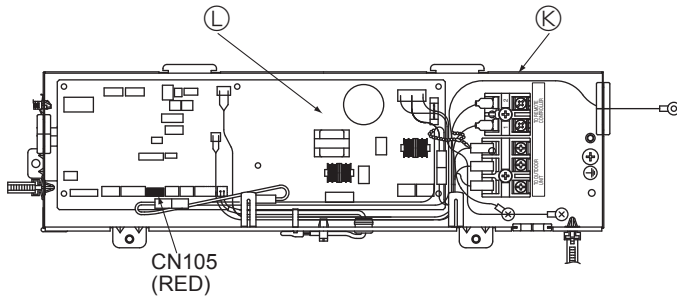


Fig. 6-2

6.1. Indoor unit (Fig. 6-1)

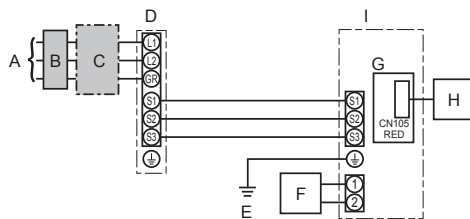
1. Remove the electrical wiring service panel.
 2. Remove the electrical box cover.
 3. For radio frequency interface.
Connect the electric wires securely to CN105 (RED) of indoor controller board. (Fig. 6-2)
- For wired remote controller.
Wire the power cable and control cable separately through the respective wiring entries given in the diagram.
- Do not allow slackening of the terminal screws.
 - Leave excess cable so that the electrical box cover can be suspended below the unit during servicing. (Approx. 50 to 100 mm, 2 to 4 inch)

- Ⓐ Entry for control cable
- Ⓑ Entry for power
- Ⓒ Clamp
- Ⓓ Electrical box cover
- Ⓔ Service panel for electrical wiring
- Ⓕ Temporary hook for electrical box cover
- Ⓖ Indoor / Outdoor unit connecting terminals
- Ⓗ Wired remote controller connector
- Ⓘ Secure with the clamp
- ⓵ Earth terminal
- Ⓚ Electrical box
- Ⓛ Indoor controller board

6.1.1. Indoor unit power supplied from outdoor unit

The following connection patterns are available.
The outdoor unit power supply patterns vary on models.

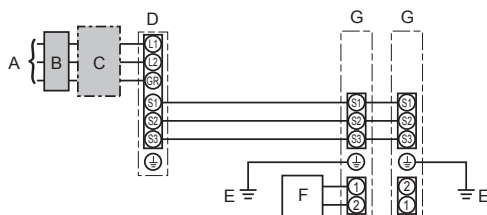
1:1 System



- A Outdoor unit power supply
- B Earth leakage breaker
- C Wiring circuit breaker or isolating switch
- D Outdoor unit
- E Indoor earth
- F Wired remote controller
- G Indoor controller board
- H Radio frequency interface for RF thermostat
- I Indoor unit

* Affix label A that is included with the manuals near each wiring diagram for the indoor and outdoor units.

Simultaneous twin system



Only for wired remote controller

- A Outdoor unit power supply
- B Earth leakage breaker
- C Wiring circuit breaker or isolating switch
- D Outdoor unit
- E Indoor earth
- F Wired remote controller
- G Indoor unit

* Affix label A that is included with the manuals near each wiring diagram for the indoor and outdoor units.

6. Electrical work

| | | | |
|---|-------------------------------------|---------------------|--------------------------------------|
| Indoor unit model | | PLA-A12, 18, 24, 30 | PLA-A36, 42 |
| Minimum circuit ampacity | | 1A | 2A |
| Maximum rating of overcurrent protective device | | 15A | 15A |
| Wiring Wire No. × size | Indoor unit-Outdoor unit | *1 | 3 × AWG16 (polar) |
| | Indoor unit earth | | 1 × Min. AWG16 |
| | Wired remote controller-Indoor unit | *2 | 2 × AWG22 (Non-polar, unshielded) |
| Circuit rating | Indoor unit-Outdoor unit S1-S2 | *3 | AC 208/230 V |
| | Indoor unit-Outdoor unit S2-S3 | *3 | DC24 V |
| | Wired remote controller-Indoor unit | *3 | DC12 V |

*1. Max. 50 m, 165 ft

*2. The 10m, 30 ft wire is attached in the wired remote controller accessory. Max. 500 m, 1500ft

*3. The figures are NOT always against the ground.

S3 terminal has DC 24 V against S2 terminal. However between S3 and S1, these terminals are not electrically insulated by the transformer or other device.

Notes: 1. Wiring size must comply with the applicable local and national code.

2. Use copper supply wires.

3. Use wires rated 300V or more for the power supply cables and the indoor unit/outdoor unit connecting cables.

4. Install an earth longer than other cables.

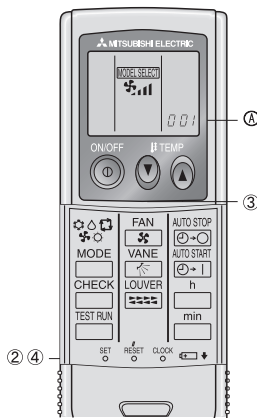


Fig. 6-3

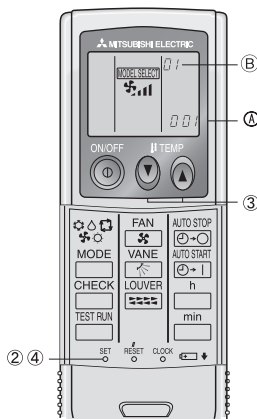


Fig. 6-4

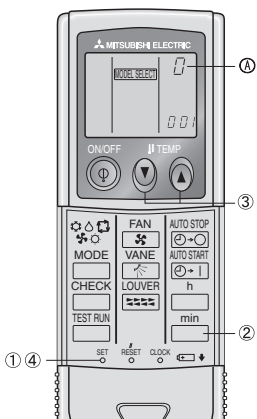


Fig. 6-5

6.2. Remote controller

6.2.1. For wired remote controller

1) Two wired remote controllers setting

If two wired remote controllers are connected, set one to "Main" and the other to "Sub". For setting procedures, refer to "Function selection of remote controller" in the operation manual for the indoor unit.

6.2.2. For IR wireless remote controller

1) Setting (Fig. 6-3)

① Insert batteries.

② Press the SET button with something sharp at the end.

MODEL SELECT blinks and Model No. is lighted.

③ Press the temp \odot \ominus buttons to set the Model No.

If you mistook the operation, press the ON/OFF \odot button and operate again from procedure ②.

④ Press the SET button with something sharp at the end.

MODEL SELECT and Model No. are lighted for three seconds, then turned off.

| Indoor | Outdoor | ④ Model No. |
|--------|---------------------|-------------|
| PLA | heat pump models | 001 |
| | cooling only models | 033 |

2) Automatic fan speed setting (For IR wireless remote controller) (Fig. 6-4)

It is necessary to set for IR wireless remote controller only when automatic fan speed is not set at default setting.

It is not necessary to set for wired remote controller with automatic fan speed at default setting.

① Press the SET button with something sharp at the end.

Operate when display of remote controller is off.

MODEL SELECT blinks and Model No. is lighted ①.

② Press the AUTO STOP \odot \ominus button.

\odot \ominus blinks and setting No. is lighted ②.

(Setting No.01: without automatic fan speed)

③ Press the temp \odot \ominus buttons to set the setting No.02.

(Setting No.02:with automatic fan speed)

If you mistook the operation, press the ON/OFF \odot button and operate again from procedure ②.

④ Press the SET button with something sharp at the end.

MODEL SELECT and Model No. are lighted for 3 seconds, then turned off.

3) Assigning a IR wireless remote controller to each unit (Fig. 6-5)

Each unit can be operated only by the assigned remote controller.

Make sure each pair of an indoor unit PC board and a IR wireless remote controller is assigned to the same pair No.

4) IR wireless remote controller pair number setting operation (Fig. 6-5)

① Press the SET button with something sharp at the end.

Start this operation from the status of IR wireless remote controller display turned off. **MODEL SELECT** blinks and Model No. is lighted.

② Press the \ominus button twice continuously.

Pair No. "0" blinks.

③ Press the temp \odot \ominus buttons to set the pair number you want to set.

If you mistook the operation, press the ON/OFF \odot button and operate again from procedure 2.

④ Press the SET button with something sharp at the end.

Set pair number is lighted for three seconds then turned off.

| ④ Pair No. of IR wireless remote controller | Indoor PC board |
|---|-----------------|
| 0 | Factory setting |
| 1 | Cut J41 |
| 2 | Cut J42 |
| 3-9 | Cut J41, J42 |

6. Electrical work

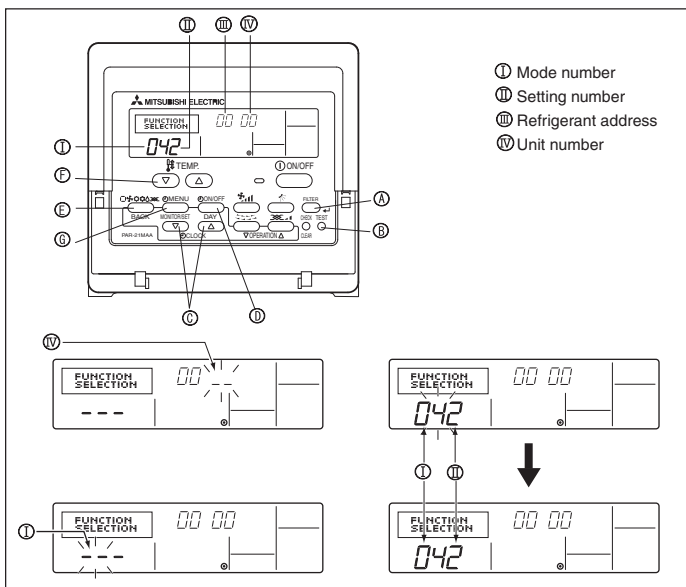


Fig. 6-6

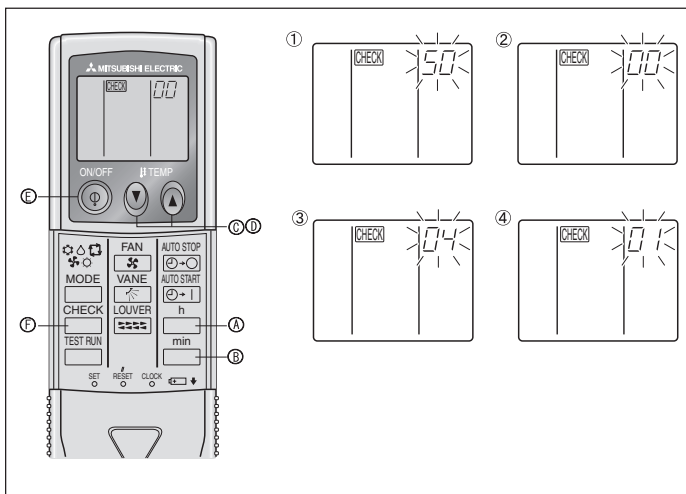


Fig. 6-7

6.3. Function settings

6.3.1. Function setting on the unit (Selecting the unit functions)

1) For wired remote controller (Fig. 6-6)

Changing the power voltage setting

- Be sure to change the power voltage setting depending on the voltage used.

- Go to the function setting mode.
Switch OFF the wired remote controller.
Press the FILTER (A) and TEST RUN (B) buttons simultaneously and hold them for at least 2 seconds. FUNCTION will start to blink.
- Use the (C) buttons to set the refrigerant address (3) to 00.
- Press (D) button and [-] will start to blink in the unit number (4) display.
- Use the (C) buttons to set the unit number (4) to 00.
- Press the MODE button (E) to designate the refrigerant address/unit number. [-] will blink in the mode number (1) display momentarily.
- Press the (F) buttons to set the mode number (1) to 04.
- Press the (G) button and the current set setting number (2) will blink.
Use the (F) button to switch the setting number in response to the power supply voltage to be used.

Power supply voltage

- 230 V : setting number = 1
- 208 V : setting number = 2

- Press the MODE button (E) and mode and the setting number (1) and (2) will change to being on constantly and the contents of the setting can be confirmed.
- Press the FILTER (A) and TEST RUN (B) buttons simultaneously for at least two seconds. The function selection screen will disappear momentarily and the air conditioner OFF display will appear.

2) For IR wireless remote controller (Fig. 6-7)

Changing the power voltage setting

- Be sure to change the power voltage setting depending on the voltage used.

- Going to the function select mode

Press the CHECK (F) button twice continuously.

(Start this operation from the status of IR wireless remote controller display turned off.)

[CHECK] is lighted and "00" blinks.

Press the (C) temp button (C) once to set "50". Direct the IR wireless remote controller toward the receiver of the indoor unit and press the (A) button (A).

② Setting the unit number

Press the (C) (D) temp buttons (C) and (D) to set the unit number "00". Direct the IR wireless remote controller toward the receiver of the indoor unit and press the (B) button (B).

③ Selecting a mode

Enter 04 to change the power voltage setting using the (C) (D) temp buttons (C) and (D). Direct the IR wireless remote controller toward the receiver of the indoor unit and press the (A) button (A).

- Current setting number:
- 1 = 1 beep (one second)
 - 2 = 2 beeps (one second each)
 - 3 = 3 beeps (one second each)

④ Selecting the setting number

Use the (C) (D) temp buttons (C) and (D) to change the power voltage setting to 01 (240 V). Direct the IR wireless remote controller toward the sensor of the indoor unit and press the (A) button (A).

⑤ To select multiple functions continuously

Repeat steps ③ and ④ to change multiple function settings continuously.

⑥ Complete function selection

Direct the IR wireless remote controller toward the sensor of the indoor unit and press the (E) button (E).

Note: Whenever changes are made to the function settings after installation or maintenance, be sure to record the changes with a mark in the "Setting" column of the Function table.

6.3.2. Function setting on the remote controller

Refer to the appropriate operation manual included with each remote controller.

6. Electrical work

Function table

Select unit number 00

| Mode | Settings | Mode No. | Setting no. | Initial setting | setting |
|----------------------------------|---|--|-------------|-----------------|---------|
| | | Wired remote controller (RF thermostat) | | | |
| Power failure automatic recovery | Not available | 01 | 1 | | |
| | Available *1 | (101) | 2 | ○ | |
| Indoor temperature detecting | Indoor unit operating average | 02 (-) | 1 | ○ | |
| | Set by indoor unit's remote controller | | 2 | | |
| | Wired remote controller's internal sensor | | 3 | | |
| LOSSNAY connectivity | Not Supported | 03 (103) | 1 | ○ | |
| | Supported (indoor unit is not equipped with outdoor-air intake) | | 2 | | |
| | Supported (indoor unit is equipped with outdoor-air intake) | | 3 | | |
| Power voltage | 230 V | 04 (104) | 1 | ○ | |
| | 208 V | | 2 | | |

Select unit numbers 01 to 03 or all units (AL [wired remote controller]/07 [wireless remote controller])

| Mode | Settings | Mode No. | Setting no. | Initial setting | setting |
|---|---|--|-------------|-----------------|---------|
| | | Wired remote controller (RF thermostat) | | | |
| Filter sign | 100Hr | 07 (107) | 1 | | |
| | 2500Hr | | 2 | ○ | |
| | No filter sign indicator | | 3 | | |
| Fan speed | Silent | 08 (108) | 1 | | |
| | Standard | | 2 | ○ | |
| | High ceiling | | 3 | | |
| No. of air outlets | 4 directions | 09 (109) | 1 | ○ | |
| | 3 directions | | 2 | | |
| | 2 directions | | 3 | | |
| Installed options (high-performance filter) | Not supported | 10 (110) | 1 | ○ | |
| | Supported | | 2 | | |
| Up/down vane setting | Equipped with vanes (vaner angle setup ③) | 11 (111) | 1 | | |
| | Equipped with vanes (vaner angle setup ①) | | 2 | | |
| | Equipped with vanes (vaner angle setup ②) | | 3 | ○ | |

*1 When the power supply returns, the air conditioner will start 3 minutes later.

*2 Power failure automatic recovery initial setting depends on the connecting outdoor unit.

7. Test run

7.1. Before test run

- ▶ After completing installation and the wiring and piping of the indoor and outdoor units, check for refrigerant leakage, looseness in the power supply or control wiring, wrong polarity, and no disconnection of one phase in the supply.
- ▶ Use a 500-volt megohmmeter to check that the resistance between the power supply terminals and ground is at least 1.0 MΩ.
- ▶ Do not carry out this test on the control wiring (low voltage circuit) terminals.

⚠ Warning:

Do not use the air conditioner if the insulation resistance is less than 1.0 MΩ.

7.2. Test run

- Refer to the installation manual that comes with each remote controller for details.

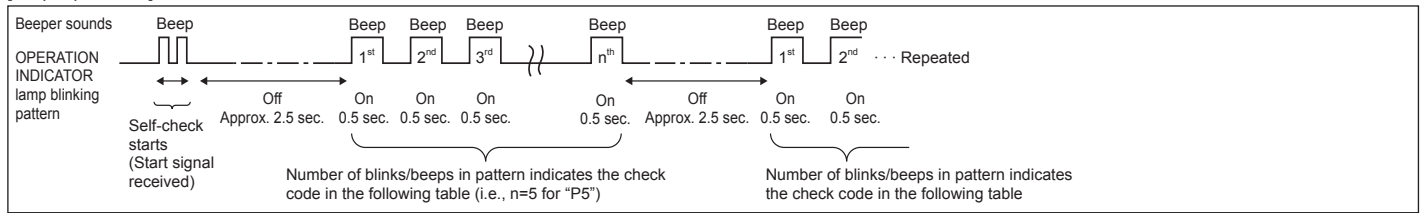
7.3. Self-check

- Refer to the installation manual that comes with each remote controller for details.
- RF thermostat is not established.

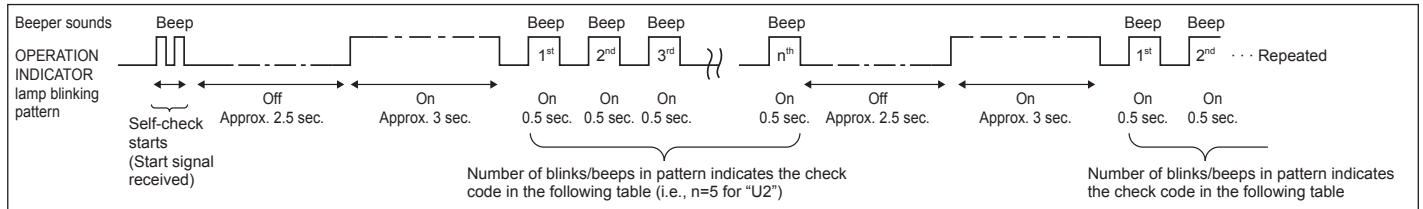
7. Test run

• Refer to the following tables for details on the check codes. (IR wireless remote controller)

[Output pattern A]



[Output pattern B]



[Output pattern A] Errors detected by indoor unit

| IR wireless remote controller | Wired remote controller RF thermostat | Symptom | Remark |
|---|--|---|--------|
| Beeper sounds/OPERATION INDICATOR lamp blinks (Number of times) | Check code | | |
| 1 | P1 | Intake sensor error | |
| 2 | P2 | Pipe (TH2) sensor error | |
| | P9 | Pipe (TH5) sensor error | |
| 3 | E6, E7 | Indoor/outdoor unit communication error | |
| 4 | P4 | Drain sensor error / Float switch connector open | |
| 5 | P5 | Drain pump error | |
| | PA | Forced compressor error | |
| 6 | P6 | Freezing/Overheating protection operation | |
| 7 | EE | Communication error between indoor and outdoor units | |
| 8 | P8 | Pipe temperature error | |
| 9 | E4 | Remote controller signal receiving error | |
| 10 | — | — | |
| 11 | — | — | |
| 12 | Fb | Indoor unit control system error (memory error, etc.) | |
| No sound | E0, E3 | Remote controller transmission error | |
| No sound | E1, E2 | Remote controller control board error | |
| No sound | — — | No corresponding | |

[Output pattern B] Errors detected by unit other than indoor unit (outdoor unit, etc.)

| IR wireless remote controller | Wired remote controller RF thermostat | Symptom | Remark |
|---|--|--|---|
| Beeper sounds/OPERATION INDICATOR lamp blinks (Number of times) | Check code | | |
| 1 | E9 | Indoor/outdoor unit communication error (Transmitting error) (Outdoor unit) | For details, check the LED display of the outdoor controller board. |
| 2 | UP | Compressor overcurrent interruption | |
| 3 | U3, U4 | Open/short of outdoor unit thermistors | |
| 4 | UF | Compressor overcurrent interruption (When compressor locked) | |
| 5 | U2 | Abnormal high discharging temperature/49C worked/insufficient refrigerant | |
| 6 | U1, Ud | Abnormal high pressure (63H worked)/Overheating protection operation | |
| 7 | U5 | Abnormal temperature of heat sink | |
| 8 | U8 | Outdoor unit fan protection stop | |
| 9 | U6 | Compressor overcurrent interruption/Abnormal of power module | |
| 10 | U7 | Abnormality of super heat due to low discharge temperature | |
| 11 | U9, UH | Abnormality such as overvoltage or voltage shortage and abnormal synchronous signal to main circuit/Current sensor error | |
| 12 | — | — | |
| 13 | — | — | |
| 14 | Others | Other errors (Refer to the technical manual for the outdoor unit.) | |

*1 If the beeper does not sound again after the initial two beeps to confirm the self-check start signal was received and the OPERATION INDICATOR lamp does not come on, there are no error records.

*2 If the beeper sounds three times continuously "beep, beep, beep (0.4 + 0.4 + 0.4 sec.)" after the initial two beeps to confirm the self-check start signal was received, the specified refrigerant address is incorrect.

- On IR wireless remote controller
The continuous buzzer sounds from receiving section of indoor unit.
Blink of operation lamp
- On wired remote controller
Check code displayed in the LCD.

7. Test run

- If the unit cannot be operated properly after the test run has been performed, refer to the following table to remove the cause.

| Symptom | | LED 1, 2 (PCB in outdoor unit) | Cause |
|--|--|--|---|
| Wired remote controller | | | |
| PLEASE WAIT | For about 2 minutes after power-on | After LED 1, 2 are lighted, LED 2 is turned off, then only LED 1 is lighted. (Correct operation) | •For about 2 minutes after power-on, operation of the remote controller is not possible due to system start-up. (Correct operation) |
| PLEASE WAIT →Error code | Subsequent to about 2 minutes after power-on | Only LED 1 is lighted. → LED 1, 2 blink. | •Connector for the outdoor unit's protection device is not connected. •Reverse or open phase wiring for the outdoor unit's power terminal block (L1, L2, GR) |
| Display messages do not appear even when operation switch is turned ON (operation lamp does not light up). | | Only LED 1 is lighted. → LED 1 blinks twice, LED 2 blinks once. | •Incorrect wiring between indoor and outdoor units (incorrect polarity of S1, S2, S3) •Remote controller wire short |

On the IR wireless remote controller with condition above, following phenomena take place.

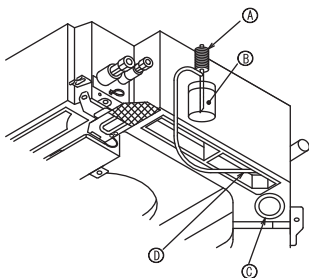
- No signals from the remote controller are accepted.
- Operation lamp is blinking.
- The buzzer makes a short ping sound.

Note:

Operation is not possible for about 30 seconds after cancellation of function selection. (Correct operation)

For description of each LED (LED1, 2, 3) provided on the indoor controller, refer to the following table.

| | |
|--|---|
| LED 1 (power for microcomputer) | Indicates whether control power is supplied. Make sure that this LED is always lit. |
| LED 2 (power for remote controller) | Indicates whether power is supplied to the remote controller. This LED lights only in the case of the indoor unit which is connected to the outdoor unit refrigerant address "0". |
| LED 3 (communication between indoor and outdoor units) | Indicates state of communication between the indoor and outdoor units. Make sure that this LED is always blinking. |



- Ⓐ Water supply pump
- Ⓑ Water (about 1000cc, 1/4 gal)
- Ⓒ Drain plug
- Ⓓ Pour water through outlet
·Be carefull not to spray water into the drain pump mechanism.

7.4. Check of drainage (Fig. 7-5)

- Ensure that the water is being properly drained out and that no water is leaking from joints.

When electric work is completed.

- Pour water during cooling operation and check.

When electric work is not completed.

- Pour water during emergency operation and check.

* Drain pan and fan are activated simultaneously when single phase 220-240V is turned on to S1 and S2 on terminal block after the connector (SWE) on controller board in the electrical branch box is set to ON.

Be sure to turn it back to the former state after work.

8. System control

Refer to the outdoor unit installation manual.

9. Installing the grille

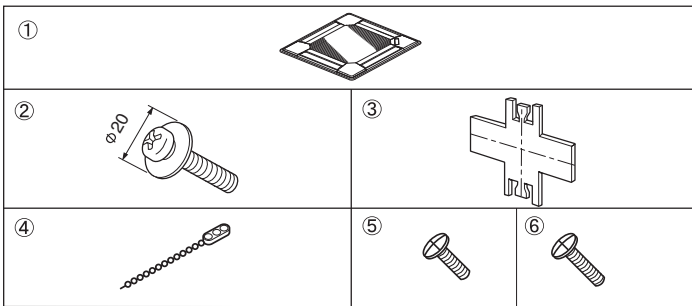


Fig. 9-1

9.1. Checking the contents (Fig. 9-1)

- This kit contains this manual and the following parts.

| | Accessory name | Q'ty | Remarks |
|---|---------------------------|------|--|
| ① | Grille | 1 | 950 × 950 (mm), 37-3/8 × 37-3/8 (inch) |
| ② | Screw with captive washer | 4 | M5 × 0.8 × 25 |
| ③ | Gauge | 1 | (Divided into four parts) |
| ④ | Fastener | 3 | |
| ⑤ | Screw | 4 | 4 × 8 |
| ⑥ | Screw | 1 | 4 × 12 |

9.2. Preparing to attach the grille (Fig. 9-2)

- With the gauge ③ supplied with this kit, adjust and check the positioning of the unit relative to the ceiling. If the unit is not properly positioned relative to the ceiling, it may allow air leaks or cause condensation to collect.
- Make sure that the opening in the ceiling is within the following tolerances: 860×860 - 910×910 mm, 33-7/8×33-7/8 to 35-13/16×35-13/16 inch.
- Make sure that A is performed within 17-22 mm, 11/16-7/8 inch. Damage could result by failing to adhere to this range.

- Ⓐ Main unit
- Ⓑ Ceiling
- Ⓒ Gauge ③ (inserted into the unit)
- Ⓓ Ceiling opening dimensions

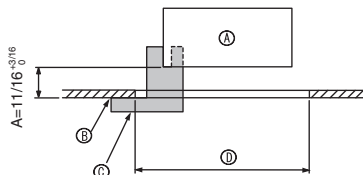


Fig. 9-2

9.2.1. Removing the intake grille (Fig. 9-3)

- Slide the levers in the direction indicated by the arrows ① to open the intake grille.
- Unlatch the hook that secures the grille.
 - * Do not unlatch the hook for the intake grille.
- With the intake grille in the "open" position, remove the hinge of the intake grille from the grille as indicated by the arrows ②.

9.2.2. Removing the corner panel (Fig. 9-4)

- Remove the screw from the corner of the corner panel. Slide the corner panel as indicated by the arrow ① to remove the corner panel.

[Fig.9-3] [Fig.9-4]

- Ⓐ Intake grille
- Ⓑ Grille
- Ⓒ Intake grille levers
- Ⓓ Grille hook
- Ⓔ Hole for the grille's hook
- Ⓕ Corner panel
- Ⓖ Screw
- Ⓗ Detail

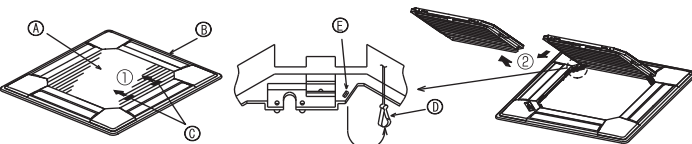


Fig. 9-3

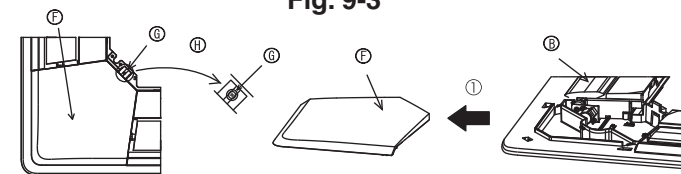


Fig. 9-4

| | 4-directional | 3-directional |
|----------------------------|---|--|
| Blowout direction patterns | One pattern: Factory setting | 4 patterns: One air outlet fully closed |
| Blowout direction patterns | 2-directional 6 patterns: Two air outlet fully closed | |

Table 1

(inch)

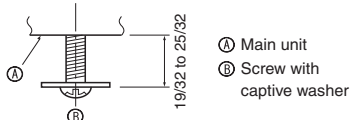


Fig. 9-5

Note:

For 3 and 2-directional, please use the air outlet shutter plate (option).

9.4. Installing the grille

9.4.1. Preparations (Fig. 9-5)

- Install the two enclosed screws with washer ② in the main unit (at the corner drain pipe area and at the opposite corner) as shown in the diagram.

9. Installing the grille

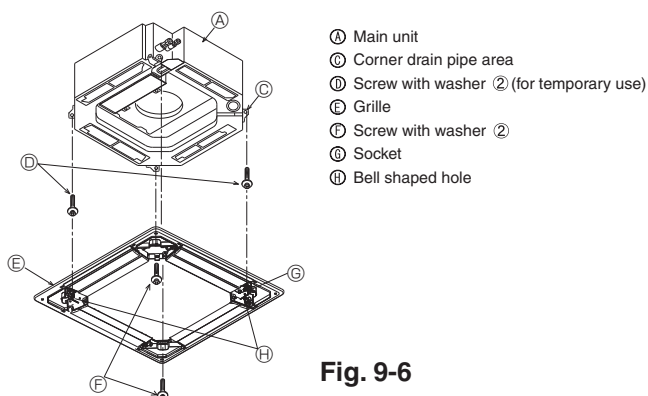


Fig. 9-6

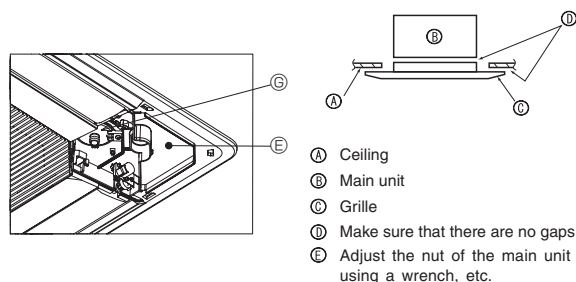


Fig. 9-7

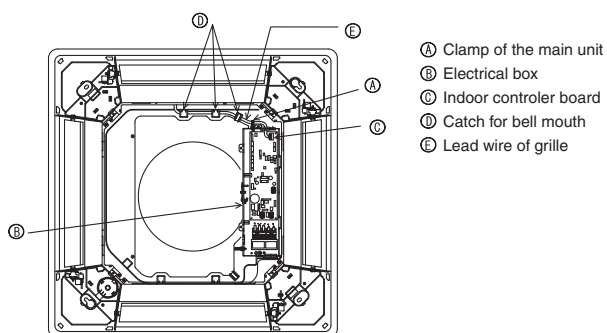


Fig. 9-8

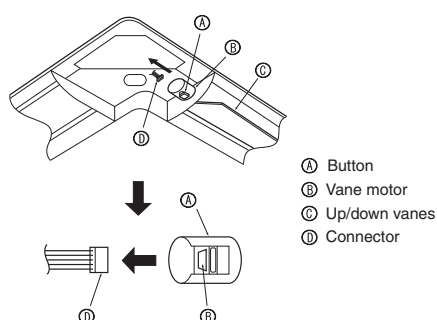


Fig. 9-9

9.4.2. Temporary installation of the grille (Fig. 9-6)

- Temporarily secure the grille using the bell shaped holes by putting the socket of the grille marked ⑥ on the corner drain pipe area of the main unit.
 - * Make sure that the lead wiring of the grille does not get pinched between the grille and the main unit.

9.4.3. Securing the grille (Fig. 9-7)

- Secure the grille to the main unit by tightening the previously installed two screws (with captive washer) as well as the two remaining screws (with captive washer).
 - * Make sure that there are no gaps between the main unit and the grille or the grille and the ceiling.

Fixing gaps between the grille and the ceiling

With the grille attached, adjust the height of the main unit to close the gap.

⚠ Caution:

When tightening the screw with captive washer ⑤, tighten it at a torque of 4.8 N•m (3.5 ft.lbs) or less. Never use an impact screwdriver.

- It may result in parts damage.

9.4.4. Wire connection (Fig. 9-8)

- Remove the 2 screws fixing the cover of electrical branch box of the unit and open the cover.
- Be sure to connect the connector (white, 20-pole) for vane motor of the grille to CNV connector of controller board of the unit.
- As for PLP-42BALM, the connector of wireless sensor cable is also connected to connector CN90 on indoor controller board.

The lead wire of grille is passed through the catch of bell mouth of the unit perfectly. The remaining lead wire is tied with clamp of the unit and put the cover of the unit again with 2 screws.

Note:

Do not put the remaining lead wire in electrical branch box of the unit.

9.5. Locking the up/down airflow direction (Fig. 9-9)

The vanes of the unit can be set and locked in up or down orientations depending upon the environment of use.

- Set according to the preference of the customer.

The operation of the fixed up/down vanes and all automatic controls cannot be performed using the wired remote controller. In addition, the actual position of the vanes may differ from the position indicated on the wired remote controller.

- Turn off the main power switch.
 - Injuries or an electrical shock may occur while the fan of the unit is rotating.
- Disconnect the connector for the vane motor of the vent that you want to lock. (While pressing the button, remove the connector in the direction indicated by the arrow as shown in the diagram.) After removing the connector, insulate it with tape.

It also can be set by wired remote controller. Refer to operation manual.

9.6. Check

- Make sure that there is no gap between the unit and the grille, or between the grille and the surface of the ceiling. If there is any gap between the unit and the grille, or between the grille and the surface of the ceiling, it may cause dew to collect.
- Make sure that the wires have been securely connected.

9. Installing the grille

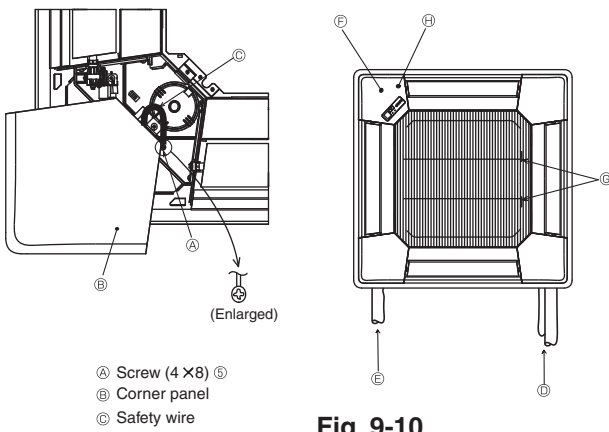


Fig. 9-10

9.7. Installing the intake grille (Fig. 9-10)

Note:

When reinstalling the corner panels (each with a safety wire attached), connect the other end of each safety wire to the grille using a screw (4 pcs, 4 × 8) as shown in the illustration.

* If the corner panels are not attached, they may fall off while the unit is operating.
 • Perform the procedure that is described in “9.2. Preparing to attach the grille” in reverse order to install the intake grille and the corner panel.

• Multiple units can be installed with grille so that the position of the logo on each corner panel is consistent with the other units regardless of the orientation of the intake grille. Align the logo on the panel according to the wishes of the customer as shown in the diagram to the left. (The position of the grille can be changed.)

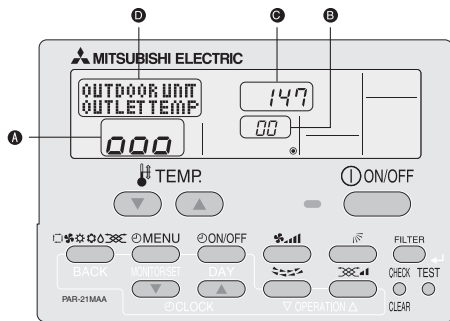
- ① Refrigerant piping of the main unit
- ② Drain piping of the main unit
- ③ Position of the corner panel when sent from the factory (logo attached).
- * Installation in any position is possible.
- ④ Position of the levers on the intake grille when sent from the factory.

* Although the clips can be installed in any of four positions, the configuration shown here is recommended. (It is not necessary to remove the intake grille when maintenance is performed on the electric component box of the main unit.)

⑤ Receiver (Only PAR-SA9FA-E)

10. Easy maintenance function (For PUZ-A/PUY-A application only)

Display example (Comp discharge temperature 147°F)



■ Only for wired remote controller.

By using the maintenance mode, you can display many types of maintenance data on the wired remote controller such as the heat exchanger temperature and compressor current consumption for the indoor and outdoor units.

This function can be used whether the air conditioner is operating or not.

During air conditioner operation, data can be checked during either normal operation or maintenance mode stable operation.

* This function cannot be used during the test run.

* The availability of this function depends on the connecting outdoor unit. Refer to the brochures.

Maintenance mode operation procedures

(1) Press the **TEST** button for three seconds to activate the maintenance mode. Display **MAINTENANCE**

(2) Press the **TEMP.** **▼** **▲** buttons to set the refrigerant address. Display **00 ↔ 01 15**

(3) Select the data you want to display.

| | | | |
|--------------------------------------|---|---|---|
| Compressor information ① MENU | Cumulative operation time Display COMP ON x10 HOURS | ON/OFF number Display COMP ON x100 TIMES | Operation current Display COMP ON CURRENT (A) |
| Outdoor unit information ② ON/OFF | Heat exchanger temperature Display OUTDOOR UNIT H+EXC. TEMP | Comp discharge temperature Display OUTDOOR UNIT OUTLET TEMP | Outdoor ambient temperature Display OUTDOOR UNIT OUTDOOR TEMP |
| Indoor unit information ③ FILTER | Indoor room temperature Display INDOOR UNIT INLET TEMP | Heat exchanger temperature Display INDOOR UNIT H+EXC. TEMP | Filter operation time Display INDOOR UNIT FILTER USE H |

* The filter operation time displayed is the number of hours the filter has been used since the filter reset was performed.

(4) Press the **FILTER** button.

(5) The data is displayed in **●**. (Airflow temperature display example)

Display **Blinking** → **Waiting for response** → **Approx. 10 sec.** → **147** → **147°F**

* Repeat steps (2) to (5) to check another data.

(6) Press the **TEST** button for three seconds or press the **ON/OFF** button to deactivate the maintenance mode.

Stable operation

Using the maintenance mode, the operation frequency can be fixed and the operation can be stabilized. If the air conditioner is stopped, use the following procedure to start this operation.

Press the **MODE** button to select the operation mode.

Display **COOL STABLE MODE** → **HEAT STABLE MODE** → **STABLE MODE CANCEL**

Press the **FILTER** button.

Waiting for stable operation
 Display **0** → **00** → **000** → **000** → **000** (10-20 min.) → **Stable operation**

* You can check the data using steps (3) to (5) of the maintenance mode operation procedures while waiting for the stable operation.

Index

| | | | |
|--|----|---|----|
| 1. Consignes de sécurité..... | 16 | 6. Installations électriques..... | 21 |
| 2. Emplacement pour l'installation..... | 17 | 7. Marche d'essai..... | 24 |
| 3. Installation de l'appareil intérieur..... | 17 | 8. Contrôle du système..... | 27 |
| 4. Installation de la tuyauterie du réfrigérant..... | 19 | 9. Installer la grille..... | 27 |
| 5. Mise en place du tuyau d'écoulement..... | 20 | 10. Fonction d'entretien aisé (Pour les applications PUZ-A/PUY-A uniquement)..... | 29 |

1. Consignes de sécurité

- ▶ **Avant d'installer le climatiseur, lire attentivement toutes les « Consignes de sécurité ».**
- ▶ **Veillez consulter ou obtenir l'autorisation de votre compagnie d'électricité avant de connecter votre système.**

⚠ Avertissement:

Précautions à suivre pour éviter tout danger de blessure ou de décès de l'utilisateur.

⚠ Précaution:

Décrit les précautions qui doivent être prises pour éviter d'endommager l'appareil.

Une fois l'installation terminée, expliquer les « Consignes de sécurité », l'utilisation et l'entretien de l'appareil au client conformément aux informations du mode d'emploi et effectuer l'essai de fonctionnement en continu pour garantir un fonctionnement normal. Le manuel d'installation et le mode d'emploi doivent être fournis à l'utilisateur qui doit les conserver. Ces manuels doivent également être transmis aux nouveaux utilisateurs.

⚡ : Indique un élément qui doit être mis à la terre.

⚠ Avertissement:

Prendre soin de lire les étiquettes se trouvant sur l'appareil principal.

⚠ Précaution:

Les appareils ne sont pas accessibles au public.

Installer l'appareil intérieur à 2,4 m (94-1/2 pouces) au moins au-dessus du sol ou sur un plan surélevé.

⚠ Avertissement:

- Contacter un revendeur ou un technicien agréé pour installer l'appareil.
- Pour l'installation, respecter les instructions du manuel d'installation et utiliser des outils et des composants de tuyau spécialement conçus pour une utilisation avec le réfrigérant spécifié dans le manuel d'installation de l'appareil extérieur.
- L'appareil doit être installé conformément aux instructions pour réduire les risques de dommages liés à des tremblements de terre, des typhons ou des vents violents. Une installation incorrecte peut entraîner la chute de l'appareil et provoquer des dommages ou des blessures.
- L'appareil doit être solidement installé sur une structure pouvant supporter son poids.
- Si le climatiseur est installé dans une petite pièce, certaines mesures doivent être prises pour éviter que la concentration de réfrigérant ne dépasse le seuil de sécurité en cas de fuite. En cas de fuite de réfrigérant et de dépassement du seuil de concentration, des risques liés au manque d'oxygène dans la pièce peuvent survenir.
- Aérer la pièce en cas de fuite de réfrigérant lors de l'utilisation. Le contact du réfrigérant avec une flamme peut provoquer des émanations de gaz toxiques.
- Tout travail sur les installations électriques doit être effectué par un technicien qualifié conformément aux réglementations locales et aux instructions fournies dans ce manuel.

- N'utiliser que les câbles spécifiés pour les raccordements.
- Le couvercle du bloc de sortie de l'appareil doit être solidement fixé.
- N'utiliser que les accessoires agréés par Mitsubishi Electric et contacter un revendeur ou un technicien agréé pour les installer.
- L'utilisateur ne doit jamais essayer de réparer ou de déplacer l'appareil.
- Une fois l'installation terminée, vérifier les éventuelles fuites de réfrigérant. Si le réfrigérant fuit dans la pièce et entre en contact avec la flamme d'un chauffage ou d'une cuisinière, des gaz toxiques peuvent se dégager.
- Lors de l'installation, du déplacement ou de l'entretien du climatiseur, n'utilisez que le réfrigérant spécifié (R410A) pour remplir les tuyaux de réfrigérant. Ne pas le mélanger avec un autre réfrigérant et faire le vide d'air dans les tuyaux. Si du réfrigérant est mélangé avec de l'air, cela peut provoquer des pointes de pression dans les tuyaux de réfrigérant et entraîner une explosion et d'autres risques. L'utilisation d'un réfrigérant différent de celui spécifié pour le climatiseur peut entraîner des défaillances mécaniques, des dysfonctionnements du système ou une panne de l'appareil. Dans le pire des cas, cela peut entraîner un obstacle à la mise en sécurité du produit.

1.1. Avant l'installation (Environnement)

⚠ Précaution:

- Ne pas utiliser l'appareil dans un environnement inhabituel. Si le climatiseur est installé dans des endroits exposés à la vapeur, à l'huile volatile (notamment l'huile de machine), au gaz sulfurique ou à une forte teneur en sel, par exemple, en bord de mer, les performances peuvent considérablement diminuer et les pièces internes de l'appareil être endommagées.
- Ne pas installer l'appareil dans des endroits où des gaz de combustion peuvent s'échapper, se dégager ou s'accumuler. L'accumulation de gaz de combustion autour de l'appareil peut provoquer un incendie ou une explosion.
- Ne pas placer d'aliments, de plantes, d'animaux en cage, d'objets d'art ou d'instruments de précision dans la soufflerie d'air direct de l'appareil intérieur ou à proximité de l'appareil au risque de les endommager par des variations de température ou des gouttes d'eau.

- Si l'humidité ambiante dépasse 80% ou si le tuyau d'écoulement est bouché, des gouttes d'eau peuvent tomber de l'appareil intérieur. Ne pas installer l'appareil intérieur dans un endroit où ces gouttes peuvent provoquer des dommages.
- Lors de l'installation de l'appareil dans un hôpital ou un centre de communications, se préparer au bruit et aux interférences électroniques. Les inverseurs, les appareils électroménagers, les équipements médicaux haute fréquence et de communications radio peuvent provoquer un dysfonctionnement ou une défaillance du climatiseur. Le climatiseur peut également endommager les équipements médicaux et de communications, perturbant ainsi les soins et réduisant la qualité d'affichage des écrans.

1.2. Avant l'installation ou le déplacement

⚠ Précaution:

- Transporter les appareils avec précaution. L'appareil doit être transporté par au moins deux personnes, car il pèse 20 kg, 40 livres minimum. Ne pas le saisir par les rubans d'emballage. Porter des gants de protection en raison du risque de se blesser les mains sur les ailettes ou d'autres pièces.
- Veiller à éliminer le matériel d'emballage en toute sécurité. Le matériel d'emballage (clous et autres pièces en métal ou en bois) peut provoquer des blessures.
- Isoler le tuyau de réfrigérant pour éviter la condensation. S'il n'est pas

- correctement isolé, de la condensation risque de se former.
- Placer un isolant thermique sur les tuyaux pour éviter la condensation. L'installation incorrecte du tuyau d'écoulement peut provoquer des fuites d'eau et endommager le plafond, le sol, les meubles ou d'autres objets.
- Ne pas nettoyer le climatiseur à l'eau au risque de provoquer un choc électrique.
- Serrer tous les écrous évasés conformément aux spécifications à l'aide d'une clé dynamométrique. S'ils sont trop serrés, ils peuvent casser après une période prolongée.

1.3. Avant l'installation électrique

⚠ Précaution:

- Veiller à installer des coupe-circuits. Dans le cas contraire, un choc électrique peut se produire.
- Pour les lignes électriques, utiliser des câbles standard de capacité suffisante. Dans le cas contraire, un court-circuit, une surchauffe ou un incendie peut se produire.
- Lors de l'installation des lignes électriques, ne pas mettre les câbles sous tension.

- Veiller à mettre l'appareil à la terre. Une mise à la terre incorrecte de l'appareil peut provoquer un choc électrique.
- Utiliser des coupe-circuits (disjoncteur de fuite à la terre, interrupteur d'isolement (fusible +B) et disjoncteur à boîtier moulé) à la capacité spécifiée. Si la capacité du coupe-circuit est supérieure à celle spécifiée, une défaillance ou un incendie peut se produire.

1.4. Avant la marche d'essai

⚠ Précaution:

- Activer l'interrupteur principal au moins 12 heures avant la mise en fonctionnement de l'appareil. L'utilisation de l'appareil juste après sa mise sous tension peut endommager sérieusement les pièces internes.
- Avant d'utiliser l'appareil, vérifier que tous les panneaux, toutes les protections et les autres pièces de sécurité sont correctement installés. Les pièces tournantes, chaudes ou à haute tension peuvent provoquer des blessures.
- Ne pas utiliser le climatiseur si le filtre à air n'est pas installé. Sinon, des

- poussières peuvent s'accumuler et endommager l'appareil.
- Ne pas toucher les interrupteurs les mains humides au risque de provoquer un choc électrique.
- Ne pas toucher les tuyaux de réfrigérant les mains nues lors de l'utilisation.
- A la fin de l'utilisation de l'appareil, attendre au moins cinq minutes avant de désactiver l'interrupteur principal. Dans le cas contraire, une fuite d'eau ou une défaillance peut se produire.

2. Emplacement pour l'installation

Consulter le manuel d'installation de l'appareil extérieur.

3. Installation de l'appareil intérieur

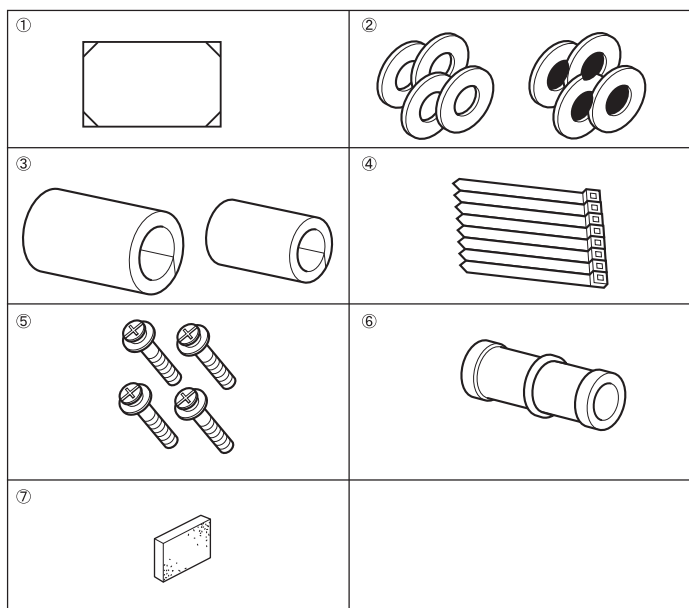


Fig. 3-1

3.1. Vérifier les accessoires qui accompagnent l'appareil intérieur (Fig. 3-1)

L'appareil intérieur doit être livré avec les accessoires suivants:

| | Nom de l'accessoire | Qté |
|---|---|-----|
| ① | Schéma d'installation | 1 |
| ② | Rondelles (avec isolation) | 4 |
| | Rondelles (sans isolation) | 4 |
| ③ | Cache-tuyaux (pour le raccord des tuyaux de réfrigérant) petit diamètre | 1 |
| | grand diamètre | 1 |
| ④ | Courroie | 8 |
| ⑤ | Vis avec rondelle (M5 × 25) pour monter la grille | 4 |
| ⑥ | Prise d'écoulement | 1 |
| ⑦ | Isolation | 1 |

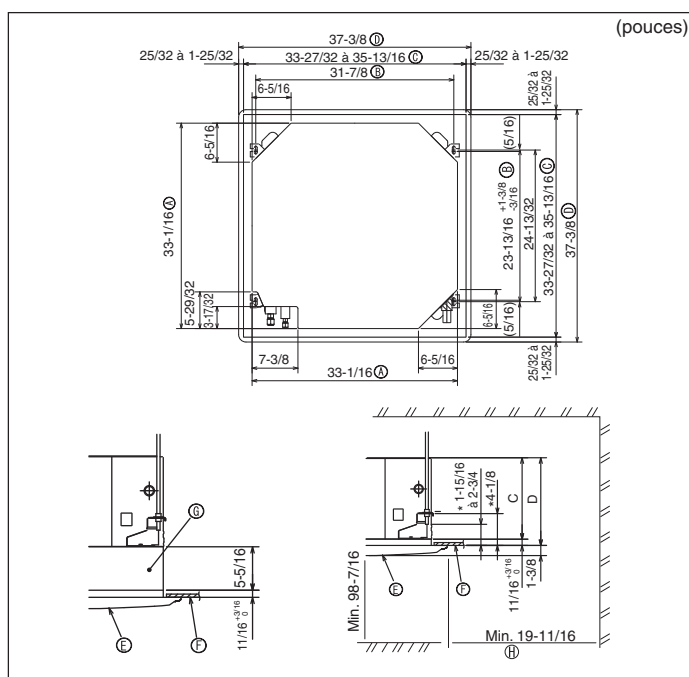


Fig. 3-2

3.2. Ouvertures dans le plafond et emplacement des boulons de suspension (Fig. 3-2)

⚠ Attention:

Installer l'appareil intérieur à 2,4 m (94-1/2 pouces) au moins au-dessus du sol ou sur un plan surélevé.

- Utiliser le schéma d'installation (dans le haut du colis) et le gabarit (fourni comme accessoire avec la grille) pour créer une ouverture dans le plafond de sorte à pouvoir installer l'appareil principal comme illustré sur le schéma. (Les méthodes d'utilisation du schéma et du gabarit sont indiquées également.)

- * Avant toute utilisation, vérifier les dimensions du schéma et du gabarit car celles-ci peuvent changer en fonction de la température et de l'humidité.

- * Les dimensions de l'ouverture dans le plafond peuvent être définies au sein de la plage indiquée dans la Fig. 3-2 ; centrer l'appareil principal par rapport à l'ouverture dans le plafond, en veillant à la symétrie de chaque côté par rapport à l'orifice.

- Utiliser des boulons de suspension M10 (3/8").

- * L'acquisition des boulons de suspension doit se faire localement.

- Installer l'appareil de manière sûre, en veillant à ce qu'il n'y ait pas de vide entre le panneau du plafond et la grille ni entre l'appareil principal et la grille.

- Ⓐ Partie extérieure de l'appareil principal
- Ⓑ Grille
- Ⓒ Ecartement entre les boulons
- Ⓓ Plafond
- Ⓔ Ouverture dans le plafond
- Ⓕ Boîtier multifonctions (optionnel)
- Ⓖ Partie extérieure de la grille
- Ⓖ Toute la périphérie

* Ne pas oublier que l'espace laissé entre le panneau de l'appareil côté plafond et le pan de plafond, etc. doit être de 10 à 15 mm, 25/64 à 19/32 pouce.

* Lors de l'installation du boîtier multifonctions disponible en option, ajouter 135 mm, 5-5/16 pouces aux dimensions indiquées dans la figure.

(mm, pouces)

| Modèles | C | D |
|--------------------|---------------|---------------|
| A12, A18, A24, A30 | 241, 9-1/2" | 258, 10-3/16" |
| A36, A42 | 281, 11-1/16" | 298, 11-3/4" |

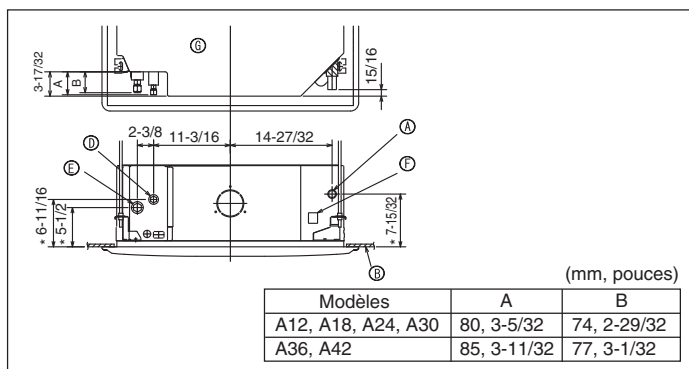


Fig. 3-3

3.3. Emplacement des tuyaux de réfrigérant et d'écoulement de l'appareil intérieur

Les chiffres marqués d'une * sur le croquis représentent les dimensions de l'appareil principal sans tenir compte de celles du boîtier multifonctions disponible en option.

(Fig. 3-3)

- Ⓐ Tuyau d'évacuation
- Ⓑ Plafond
- Ⓒ Grille
- Ⓓ Tuyau de réfrigérant (liquide)
- Ⓔ Tuyau de réfrigérant (gaz)
- Ⓕ Arrivée d'eau
- Ⓖ Appareil principal

* Lors de l'installation d'un boîtier multifonctions disponible en option, ajouter 135 mm, 5-5/16 pouces aux dimensions indiquées sur le croquis.

3. Installation de l'appareil intérieur

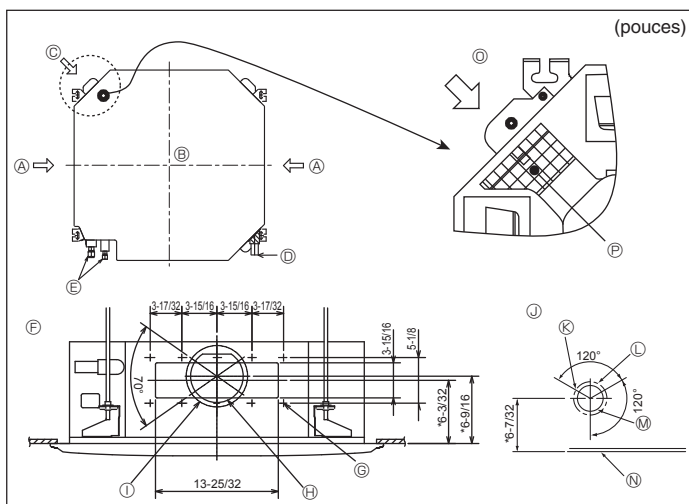


Fig. 3-4

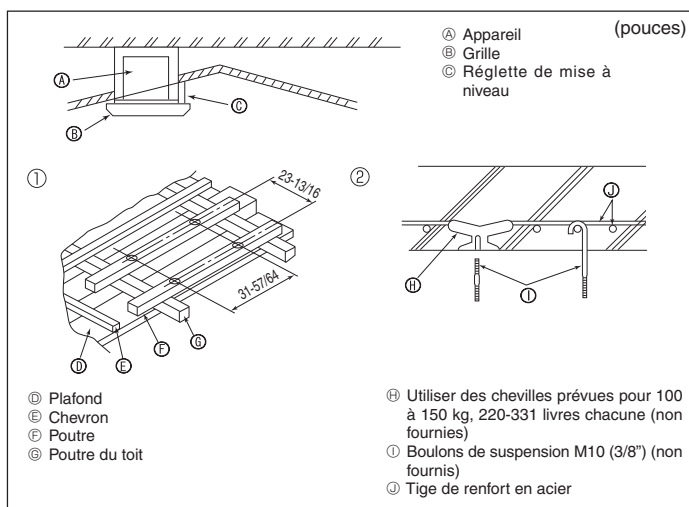


Fig. 3-5

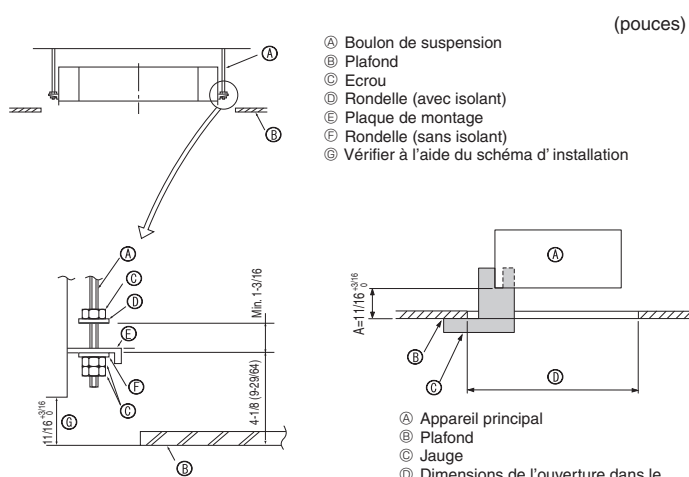


Fig. 3-6

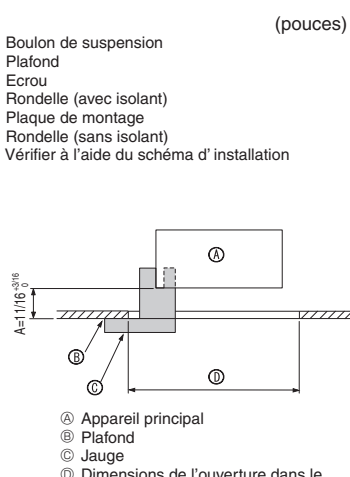


Fig. 3-7

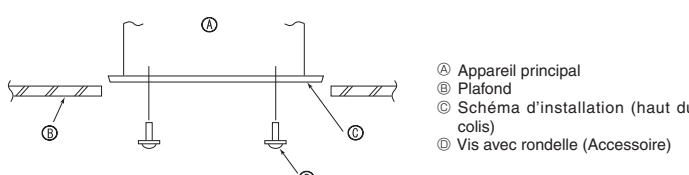


Fig. 3-8

3.4. Orifice pour le tuyau d'embranchement et orifice pour l'arrivée d'air frais (Fig. 3-4)

Lors de l'installation, utiliser les orifices des tuyaux (coupés) dont les positions sont indiquées dans les Fig. 3-4, en cas de nécessité.

- Il est également possible de créer un orifice d'arrivée d'air frais pour le boîtier multifonctions en option.

Remarque :

La figure marquée d'un astérisque * sur le schéma représente les dimensions de l'appareil principal sans tenir compte des dimensions du boîtier multifonctions disponible en option.

Lors de l'installation de ce boîtier multifonctions, ajouter 135 mm, 5-5/16 pouces aux dimensions reprises sur la figure.

Lors de l'installation des tuyaux d'embranchement, veiller à toujours les isoler correctement sinon de la condensation risque de se former et des gouttes pourraient tomber.

Lors de l'installation de l'orifice pour l'arrivée d'air frais, veiller à retirer l'isolant * qui est collé dans l'appareil intérieur.

- A Orifice du tuyau d'embranchement
- B Appareil intérieur
- C Orifice d'arrivée d'air frais
- D Tuyau d'écoulement
- E Tuyau de réfrigérant
- F Diagramme de l'orifice du tuyau d'embranchement (vu du côté opposé)
- G Orifice perforé 14-ø2,8 mm, ø1/8 pouce
- H Orifice prédécoupé de ø150 mm, ø5-29/32 pouces
- I Ecartement de l'orifice perforé ø175 mm, ø6-7/8 pouces
- J Diagramme de l'orifice d'arrivée d'air frais
- K Orifice perforé 3-ø2,8 mm, ø1/8 pouce
- L Ecartement de l'orifice perforé ø125 mm, ø4-29/32 pouces
- M Orifice prédécoupé ø100 mm, ø3-15/16 pouces
- N Plafond

3.5. Structure de suspension (Construire une structure renforcée à l'endroit de suspension de l'appareil) (Fig. 3-5)

Les travaux à effectuer au plafond varient en fonction du type d'édifice. Il convient de consulter les constructeurs et les décorateurs du bâtiment pour plus de détails.

- (1) Etendue de la découpe dans le plafond: Le plafond doit être parfaitement à l'horizontale et ses fondations (encadrement: linteaux de bois ou supports de linteaux) doivent être renforcées afin d'éviter qu'il ne vibre.
- (2) Découper et déposer les fondations du plafond.
- (3) Renforcer les extrémités de la fondation du plafond à l'endroit de la découpe et ajouter une fondation de renfort pour assurer les extrémités des traverses du plafond.
- (4) Lors de l'installation de l'appareil sur un plafond incliné, installer une réglette de mise à niveau entre le plafond et la grille de telle sorte que l'appareil soit à l'horizontale.

- ① Structures en bois
 - Utiliser les tirants (pour les maisons de plain-pied) ou les poutres de l'étage (pour les maisons à étage) comme renforts.
 - Les poutres en bois devant servir à soutenir les climatiseurs doivent être robustes et leurs côtés doivent avoir au moins 6 cm, 2-3/8 pouces de long si les poutres sont séparées d'un intervalle de maximum 90 cm, 35-7/16 pouces ou ils doivent avoir 9 cm, 3-9/16 pouces de long si les poutres sont séparées par un intervalle allant jusqu'à 180 cm, 70-7/18 pouces. Les boulons de suspension doivent avoir 10 mm de diamètre (3/8"). (Ces boulons ne sont pas livrés avec l'appareil.)
- ② Structures en béton armé

Fixer les boulons de suspension à l'aide de la méthode illustrée ou utiliser des chevilles en acier ou en bois, etc. pour installer les boulons de suspension.

3.6. Méthodes de suspension de l'appareil (Fig. 3-6)

Suspendre l'appareil principal comme indiqué sur le diagramme. Les chiffres fournis entre parenthèses représentent les dimensions nécessaires en cas d'installation d'un boîtier multifonctions en option.

1. Poser à l'avance les éléments sur les boulons de suspension dans l'ordre rondelles (avec isolant), rondelles (sans isolant) et écrous (double).
 - Placer la rondelle avec isolant de telle sorte que la partie isolante soit tournée vers le bas.
 - En cas d'utilisation de rondelles supérieures pour suspendre l'appareil principal, les rondelles inférieures (avec isolant) et les écrous (doubles) doivent être installés postérieurement.
2. Lever l'appareil à la hauteur adéquate des boulons de suspension pour introduire la plaque de montage entre les rondelles et la serrer convenablement.
3. Lorsque l'appareil principal ne peut pas être aligné contre l'orifice de montage au plafond, il est possible de le régler par une fente prévue sur la plaque de montage.
 - S'assurer que le point A s'effectue dans une fourchette allant de 17 à 22 mm, 11/16 à 7/8 pouce. Le non respect de cette marge pourrait être à l'origine de certains dégâts. (Fig. 3-7)

⚠ **Précaution:**

Utiliser la moitié supérieure du carton comme couvercle de protection pour empêcher les poussières ou les débris de pénétrer à l'intérieur de l'appareil avant la mise en place du couvercle de finition ou lors de l'application de matériaux de revêtement du plafond.

3.7. Confirmer l'emplacement de l'appareil principal et serrer les boulons de suspension (Fig. 3-8)

- A l'aide du gabarit fixé à la grille, s'assurer que le bas de l'appareil est aligné par rapport à l'ouverture dans le plafond. Veiller à bien vérifier ce point sinon des gouttes de condensation dues aux fuites d'air, etc. risquent de tomber.
- A l'aide d'un niveau ou d'un tube en vinyle rempli d'eau, vérifier que l'appareil principal soit bien à l'horizontale.
- Lorsque la bonne position de l'appareil principal est définie avec certitude, serrer convenablement les écrous des boulons de suspension pour le fixer.
- Le schéma d'installation (dans le haut du colis) peut servir de feuille protectrice pour empêcher la poussière de pénétrer à l'intérieur de l'appareil lorsque les grilles doivent rester enlevées pendant un certain temps ou si le recouvrement du plafond doit être remis en place ou ré-égalisé après l'installation de l'appareil.

* Pour plus de détails concernant le montage, veuillez vous reporter aux instructions du schéma d'installation.

4. Installation de la tuyauterie du réfrigérant

4.1. Consignes

Pour les appareils utilisant le réfrigérant R410A

- Appliquer une petite quantité d'huile ester, éther ou alkylbenzène comme huile réfrigérante sur les sections évasées.
- Utiliser le cuivre phosphoreux C1220, pour des tuyaux sans soudure en cuivre et en alliage de cuivre, pour raccorder les tuyaux de réfrigérant. Utiliser les tuyaux de réfrigérant dont l'épaisseur est spécifiée dans le tableau ci-dessous. Vérifier que l'intérieur des tuyaux est propre et dépourvu de tout agent nocif tel que des composés sulfuriques, des oxydants, des débris ou des saletés.

⚠ Avertissement:

Lors de l'installation, du déplacement ou de l'entretien du climatiseur, n'utilisez que le réfrigérant spécifié (R410A) pour remplir les tuyaux de réfrigérant. Ne pas le mélanger avec un autre réfrigérant et faire le vide d'air dans les tuyaux.

Si du réfrigérant est mélangé avec de l'air, cela peut provoquer des pointes de pression dans les tuyaux de réfrigérant et entraîner une explosion et d'autres risques.

L'utilisation d'un réfrigérant différent de celui spécifié pour le climatiseur peut entraîner des défaillances mécaniques, des dysfonctionnements du système ou une panne de l'appareil. Dans le pire des cas, cela peut entraîner un obstacle à la mise en sécurité du produit.

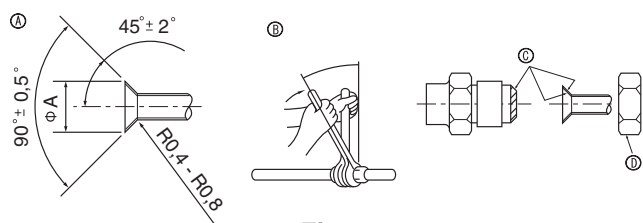


Fig. 4-1

Ⓐ Dimension de l'évasement

| Diam. ext. Tuyau en cuivre (mm, pouce) | Dimensions évasement Dimensions φA (mm, pouce) |
|--|---|
| φ 6,35, 1/4 | 8,7 - 9,1, 11/32 - 23/64 |
| φ 9,52, 3/8 | 12,8 - 13,2, 1/2 - 33/64 |
| φ 12,7, 1/2 | 16,2 - 16,6, 41/64 - 21/32 |
| φ 15,88, 5/8 | 19,3 - 19,7, 49/64 - 25/32 |
| φ 19,05, 3/4 | 23,6 - 24,0, 15/16 - 61/64 |

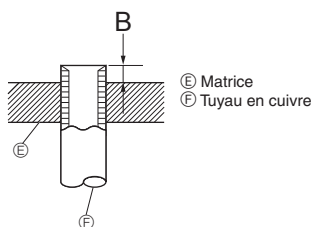


Fig. 4-2

| Diam. ext. Tuyau en cuivre mm (pouce) | B (mm, pouce) |
|--|---|
| | Outil d'évasement pour le R410A Type embrayage |
| φ 6,35 (1/4") | 1,0 - 1,5, 3/64 - 1/16 |
| φ 9,52 (3/8") | 1,0 - 1,5, 3/64 - 1/16 |
| φ 12,7 (1/2") | 1,0 - 1,5, 3/64 - 1/16 |
| φ 15,88 (5/8") | 1,0 - 1,5, 3/64 - 1/16 |
| φ 19,05 (3/4") | 1,0 - 1,5, 3/64 - 1/16 |

| | A12, A18 | A24, A30, A36, A42 |
|--------------------|--|---|
| Conduit de liquide | ø6,35 mm, ø1/4 pouce Épaisseur 0,8 mm, 1/32 pouce | ø9,52 mm, ø3/8 pouce Épaisseur 0,8 mm, 1/32 pouce |
| Conduit de gaz | ø12,7 mm, ø1/2 pouce Épaisseur 0,8 mm, 1/32 pouce | ø15,88 mm, ø5/8 pouce Épaisseur 1,0 mm, 3/64 pouce |

- Ne pas utiliser de tuyaux plus fins que ceux spécifiés ci-dessus.

4.2. Connexion des tuyaux (Fig. 4-1)

- En cas d'utilisation de tuyaux en cuivre disponibles sur le marché, envelopper les tuyaux de liquide et de gaz avec de la matière isolante vendue dans le commerce sur le marché (résistant à une chaleur de 100 °C, 212 °F ou supérieure et d'une épaisseur de 12 mm, 1/2 pouce ou plus).
- Les parties intérieures du tuyau d'écoulement doivent également être entourées de matière isolante en mousse de polyéthylène (avec une poids spécifique de 0,03 et de 9 mm d'épaisseur ou plus).
- Appliquer un film mince d'huile réfrigérante sur la surface du tuyau et du support du joint avant de serrer l'écrou évasé.
- Utiliser deux clés pour serrer les connexions des tuyaux.
- Utiliser la matière isolante des tuyaux de réfrigérant fournie afin d'envelopper les connexions des appareils intérieurs. Effectuer l'isolation avec soin.

Ⓑ Couple de serrage du raccord conique

| Diam. ext. Tuyau en cuivre (mm, pouces) | Diam. ext. raccord conique (mm, pouces) | Couple de serrage (N-m, pieds livres) |
|---|---|---------------------------------------|
| ø6,35, 1/4 | 17, 43/64 | 14-18, 10-13 |
| ø6,35, 1/4 | 22, 7/8 | 34-42, 25-30 |
| ø9,52, 3/8 | 22, 7/8 | 34-42, 25-30 |
| ø12,7, 1/2 | 26, 1-3/64 | 49-61, 35-44 |
| ø12,7, 1/2 | 29, 1-9/64 | 68-82, 49-59 |
| ø15,88, 5/8 | 29, 1-9/64 | 68-82, 49-59 |
| ø15,88, 5/8 | 36, 1-27/64 | 100-120, 71-86 |
| ø19,05, 3/4 | 36, 1-27/64 | 100-120, 71-86 |

Ⓒ Appliquer de l'huile réfrigérante sur toute la surface évasée du fond.

Ⓓ Utiliser des écrous évasés corrects correspondant à la taille des tuyaux de l'appareil extérieur.

Tailles de tuyaux disponibles

| | A12, A18 | A24, A30, A36, A42 |
|--------------|----------|--------------------|
| Côté liquide | ø6,35 ○ | ø9,52 ○ |
| Côté gaz | ø12,7 ○ | ø15,88 ○ |

○ : Fixation de l'écrou évasé d'usine à l'échangeur thermique.

4. Installation de la tuyauterie du réfrigérant

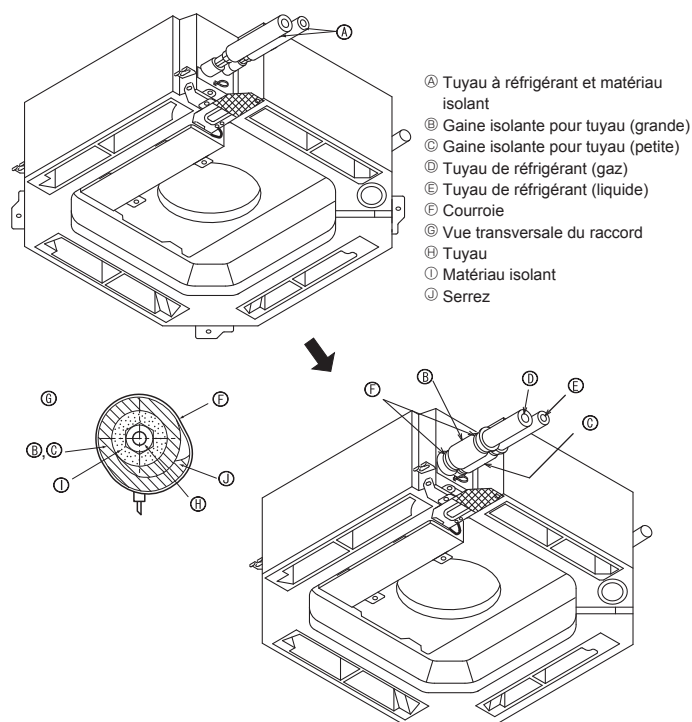


Fig. 4-3

5. Mise en place du tuyau d'écoulement

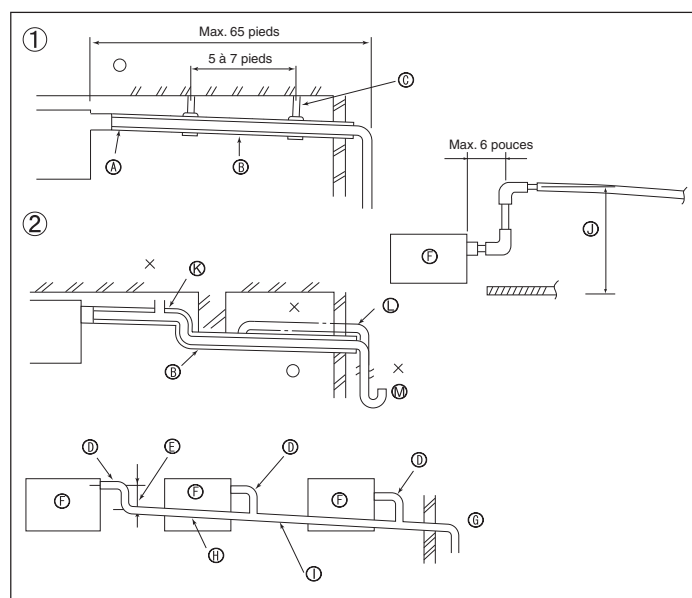


Fig. 5-1

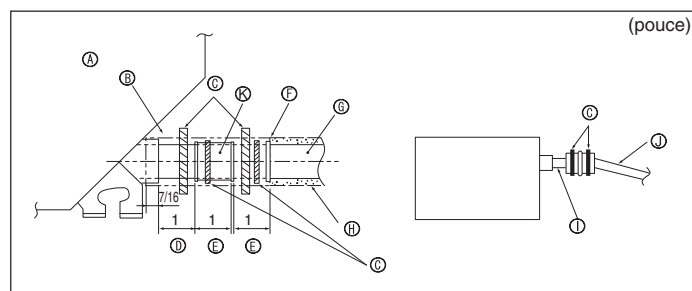


Fig. 5-2

4.3. Appareil intérieur (Fig. 4-3)

Isolation des tuyaux de réfrigérant contre la chaleur:

- 1 Enrouler le cache-tuyaux de grande dimension fourni autour du tuyau de gaz, en s'assurant que l'extrémité du cache-tuyaux touche le côté de l'appareil.
 - 2 Enrouler le cache-tuyaux de petite dimension fourni autour du tuyau de liquide, en s'assurant que l'extrémité du cache-tuyaux touche le côté de l'appareil.
 - 3 Fixer les deux extrémités de chaque cache-tuyaux à l'aide des bandes fournies. (Attacher les bandes à 20 mm, 25/32 pouce des extrémités des cache-tuyaux.)
- Après le raccordement du tuyau de réfrigérant à l'appareil intérieur, vérifier toutes les connexions et s'assurer qu'il n'y a pas de fuite de gaz en envoyant de l'azote à l'état gazeux dans les tuyaux. (Vérifier qu'il n'y a pas de fuite de réfrigérant au niveau du tuyau de réfrigérant connecté à l'appareil intérieur.)

4.4. Pour double/triple combinaison

Consulter le manuel d'installation de l'appareil extérieur.

5.1. Mise en place du tuyau d'écoulement (Fig. 5-1)

- Utiliser un tuyau VP25 (en PVC, O.D. $\varnothing 32$ mm, 1-1/4 pouces) pour les tuyaux d'écoulement et prévoir une pente d'1% ou plus.
- Toujours veiller à raccorder les joints des tuyauteries à l'aide d'adhésif de type polyvinyle.
- Se baser sur le schéma pour les travaux de mise en place des tuyaux.
- Utiliser le tuyau d'écoulement livré pour modifier le sens d'évacuation.

- | | |
|---------------------------------------|----------------------|
| ① Tuyautage correct | ⓐ Support métallique |
| ② Tuyautage erroné | ⓑ Soufflerie d'air |
| Ⓐ Isolant (9 mm, 23/64 pouce ou plus) | ⓒ Soulevé |
| Ⓑ Pente descendante (1% ou plus) | ⓓ Trappe à odeurs |

Mise en place groupée des tuyaux

- | | |
|---|--|
| Ⓐ Tube en PVC, O.D. $\varnothing 32$ mm, 1-1/4 pouces | ⓐ Pente descendante (1% ou plus) |
| Ⓑ Passage aussi long que possible. | ⓑ Tube en PVC, O.D. $\varnothing 38$ mm, 1-1/2 pouces pour la mise en place groupée des tuyaux. (isolant de 9 mm, 23/64 pouce ou plus) |
| Ⓒ Appareil intérieur | ⓓ Jusqu'à 850 mm, 33-7/16 pouces |
| Ⓓ Prévoir un orifice suffisamment grand pour la mise en place groupée des tuyaux. | |

1. Raccorder la prise d'écoulement (fourni avec l'appareil) au port de drainage. (Fig. 5-2) (Apposer le tube à l'aide de ruban adhésif en PVC puis le fixer avec une sangle.)
2. Installer un tuyau de drainage à se procurer sur place (tuyau en PVC, O.D. $\varnothing 32$ mm, 1-1/4 pouces). (Apposer le tuyau à l'aide de ruban adhésif en PVC puis le fixer avec une sangle.)
3. Isoler le tube et le tuyau. (Tuyau en PVC, O.D. $\varnothing 32$ mm, 1-1/4 pouces et prise)
4. Vérifier si le drainage s'effectue normalement, de manière régulière.
5. Isoler le port de drainage avec de la matière isolante, puis l'attacher avec une sangle. (La matière isolante et la sangle sont toutes deux livrées avec l'appareil.)

- | | |
|----------------------------------|--|
| Ⓐ Appareil | ⓐ Tuyau de drainage (Tuyau en PVC, O.D. $\varnothing 32$ mm, 1-1/4 pouces) |
| Ⓑ Matière isolante | ⓑ Matière isolante (à se procurer sur place) |
| Ⓒ Courroie | ⓒ Tuyau en PVC transparent |
| Ⓓ Port de drainage (transparent) | ⓓ Tuyau en PVC, O.D. $\varnothing 32$ mm, 1-1/4 pouces (Avec une pente minimum de 1/100) |
| Ⓔ Marge d'insertion | ⓔ Prise d'écoulement |
| Ⓕ Correspondance | |

6. Installations électriques

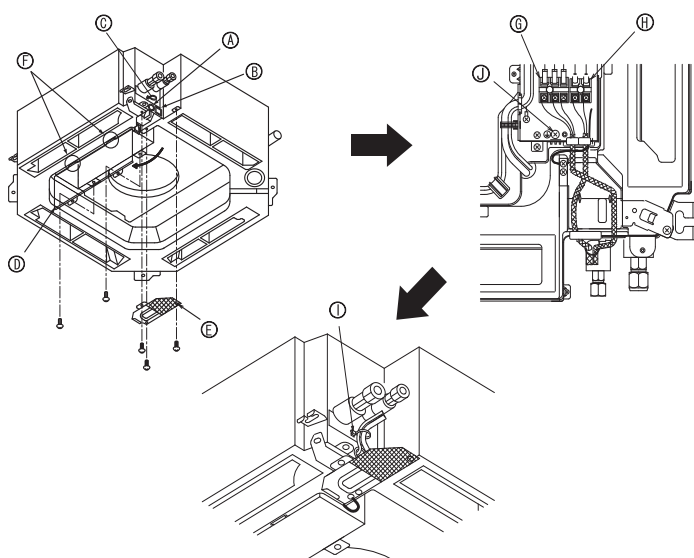


Fig. 6-1

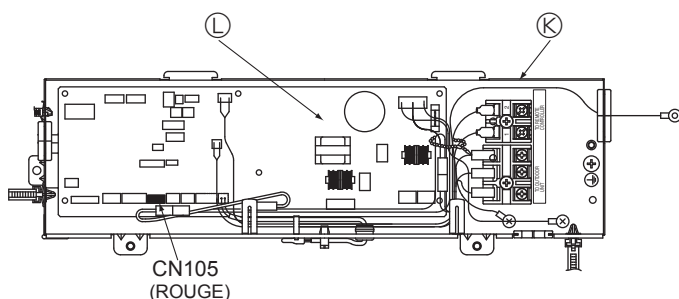


Fig. 6-2

6.1. Appareil intérieur (Fig. 6-1)

1. Retirer le panneau de service du câblage électrique.
2. Retirer le couvercle du boîtier électrique.
3. Pour l'interface radiofréquence.

Raccorder correctement les câbles électriques au connecteur CN105 (ROUGE) du panneau du contrôleur intérieur. (Fig. 6-2)

Pour la télécommande à fil.

Faire passer séparément les câbles d'alimentation et de commande via les entrées de fils respectives indiquées sur le schéma.

- Ne pas laisser les vis des bornes desserrées.
- Garder un excédent de câbles de sorte à pouvoir laisser pendre le boîtier électrique audessous de l'appareil pendant les interventions techniques. (Environ 50 à 100 mm, 2 à 4 pouces)

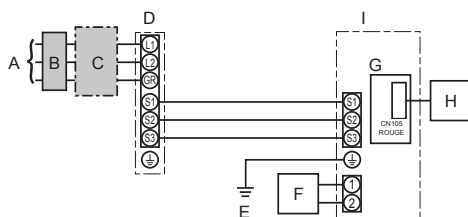
- Ⓐ Entrée pour le câble de commandes
- Ⓑ Entrée pour l'alimentation
- Ⓒ Attache
- Ⓓ Couvercle du boîtier électrique
- Ⓔ Panneau de service pour le câblage électrique
- Ⓕ Crochet temporaire du couvercle du boîtier électrique
- Ⓖ Bornes de raccordement de l'appareil intérieur/de l'appareil extérieur
- Ⓗ Connecteur de télécommande à fil
- Ⓘ Fixer avec une attache
- Ⓙ Borne de mise à la terre
- Ⓚ Boîtier électrique
- Ⓛ Panneau du contrôleur intérieur

6.1.1. Alimentation de l'appareil intérieur provenant de l'appareil extérieur

Les schémas de connexion suivants sont disponibles.

Les schémas d'alimentation de l'appareil extérieur varient selon les modèles.

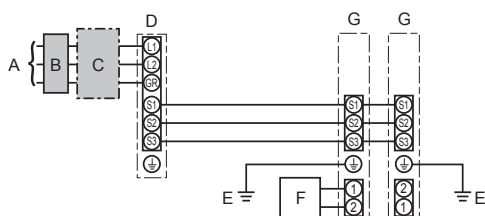
Système 1:1



- A Source d'alimentation de l'appareil extérieur
- B Disjoncteur de fuite à la terre
- C Coupe-circuit ou interrupteur d'isolement
- D Appareil extérieur
- E Cordons de raccordement de l'appareil intérieur/extérieur
- F Télécommande à fil
- G Panneau du contrôleur intérieur
- H Interface radiofréquence pour thermostat radiofréquence
- I Appareil intérieur

* Apposer une étiquette A fournie avec les manuels près de chaque schéma de câblage des appareils intérieur et extérieur.

Système double simultané



Uniquement pour la télécommande à fil

- A Source d'alimentation de l'appareil extérieur
- B Disjoncteur de fuite à la terre
- C Coupe-circuit ou interrupteur d'isolement
- D Appareil extérieur
- E Cordons de raccordement de l'appareil intérieur/extérieur
- F Télécommande à fil
- G Appareil intérieur

* Apposer une étiquette A fournie avec les manuels près de chaque schéma de câblage des appareils intérieur et extérieur.

6. Installations électriques

| | | | |
|--|---|---------------------|--------------------------------------|
| Modèle de l'appareil intérieur | | PLA-A12, 18, 24, 30 | PLA-A36, 42 |
| Courant admissible minimum du circuit | | 1A | 2A |
| Calibre maximum du dispositif de protection contre les surintensités | | 15A | 15A |
| Câblage No du câble x taille | Appareil intérieur-appareil extérieur | *1 | 3 x AWG16 (Polar) |
| | Mise à la terre de l'appareil intérieur | | 1 x Min. AWG16 |
| | Télécommande à fil-Appareil intérieur | *2 | 2 x AWG22 (Non polarisé, non blindé) |
| Tension du circuit | Appareil intérieur-appareil extérieur S1-S2 | *3 | AC 208/230 V |
| | Appareil intérieur-appareil extérieur S2-S3 | *3 | DC24 V |
| | Télécommande à fil-Appareil intérieur | *3 | DC12 V |

*1. 50 m, 165 pieds max.

*2. Le câble de 10 m (30 pieds) est fixé à la télécommande à fil. 500 m (1 500 pieds) maximum

*3. Les chiffres ne s'appliquent PAS toujours à la mise à la terre.

La borne S3 présente une différence de 24 V CC par rapport à la borne S2. Les bornes S3 et S1 ne sont pas isolées électriquement par le transformateur ou tout autre appareil.

- Remarques:**
1. La taille des fils doit être conforme aux réglementations nationales et locales pertinentes.
 2. Utilisez des fils électriques en cuivre.
 3. Utilisez des fils d'une tension nominale de 300 V minimum pour les câbles d'alimentation et les câbles de raccordement des unités intérieure et extérieure.
 4. Installer un câble de terre plus long que les autres câbles.

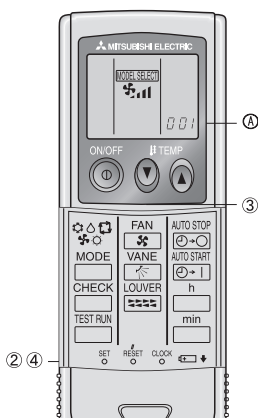


Fig. 6-3

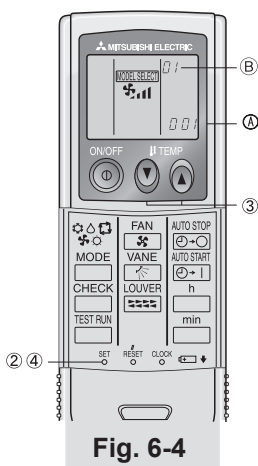


Fig. 6-4

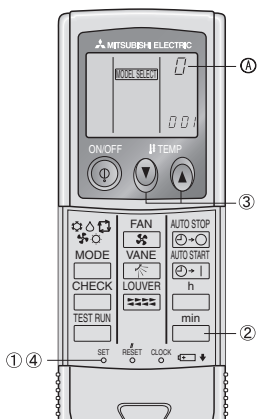


Fig. 6-5

6.2. Télécommande

6.2.1. Pour la télécommande à fil

1) Réglage de deux télécommandes à fil

Si deux télécommandes à fil sont connectées, régler la première sur "principal" et la seconde sur "auxiliaire". Pour prendre connaissance des procédures de configuration, consultez « Sélection des fonctions » dans le mode d'emploi de l'appareil intérieur.

6.2.2. Pour télécommande sans fil infrarouge

1) Programmation (Fig. 6-3)

1. Introduire les piles.
2. Appuyer sur le bouton SET à l'aide d'un objet pointu.
3. Appuyer sur le bouton temp (A) (B) pour programmer le numéro du modèle. Si l'opération est erronée, appuyer sur la touche ON/OFF (C) et recommencer à partir du point 2.
4. Appuyer sur le bouton SET à l'aide d'un objet pointu.

| Intérieur | Extérieur | (A) No. modèle. |
|-----------|--------------------------------------|-----------------|
| PLA | modèles de pompe à chaleur | 001 |
| | modèles à refroidissement uniquement | 033 |

2) Réglage automatique de la vitesse du ventilateur (Pour télécommande sans fil infrarouge). (Fig. 6-4)

Il faut régler la télécommande sans fil infrarouge uniquement lorsque la vitesse du ventilateur n'est pas automatiquement réglée par défaut. Il n'est pas nécessaire de régler la vitesse automatique du ventilateur par défaut sur la télécommande à fil.

1. Appuyer sur le bouton SET à l'aide d'un objet pointu. Intervenir lorsque l'affichage de la télécommande est éteint.
2. Appuyer sur la touche AUTO STOP (D) (E). (Configuration No 01: sans vitesse automatique du ventilateur)
3. Appuyer sur les touches temp. (A) (B) pour régler la configuration No 02. (Configuration No 02: avec vitesse automatique du ventilateur) Si l'opération est erronée, appuyer sur la touche ON/OFF (C) et recommencer à partir du point 2.
4. Appuyer sur le bouton SET à l'aide d'un objet pointu.

3) Attribution d'une télécommande sans fil infrarouge à chaque appareil (Fig. 6-5)

Seule la télécommande sans fil infrarouge attribuée à un appareil peut contrôler cet appareil.

Vous assurer d'attribuer à chaque paire de télécommande sans fil infrarouge et de plaque de circuit imprimé d'un appareil intérieur le même numéro de paire.

4) Réglage du numéro de paire de télécommande sans fil infrarouge (Fig. 6-5)

1. Appuyer sur le bouton SET à l'aide d'un objet pointu. Cette opération s'effectue quand l'affichage de la télécommande sans fil infrarouge est éteint.
2. Appuyer deux fois sans relâcher sur le bouton (F) (G). Le numéro « 0 » clignote.
3. Appuyer sur le bouton temp (A) (B) pour attribuer le numéro de paires de votre choix. Si l'opération est erronée, appuyer sur la touche ON/OFF (C) et recommencer à partir du point 2.
4. Appuyer sur le bouton SET à l'aide d'un objet pointu. Le numéro de paires attribué s'allume pendant trois secondes puis s'éteint.

| (A) Numéro de paire de la télécommande sans fil infrarouge | Carte à circuit imprimé intérieure |
|--|------------------------------------|
| 0 | Réglage d'usine |
| 1 | Couper J41 |
| 2 | Couper J42 |
| 3-9 | Couper J41, J42 |

6. Installations électriques

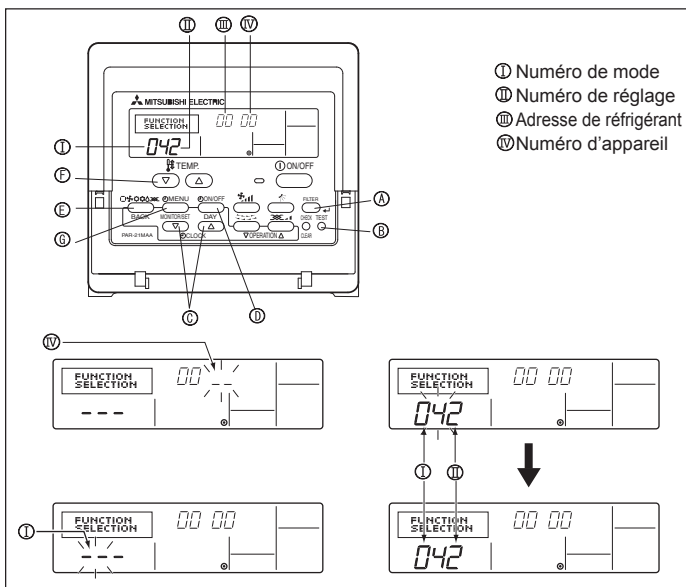


Fig. 6-6

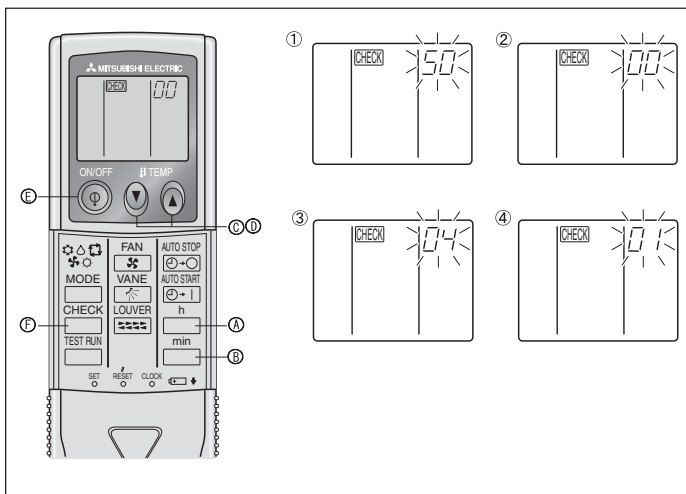


Fig. 6-7

6.3. Réglage des fonctions

6.3.1. Réglage des fonctions sur l'appareil (sélection des fonctions de l'appareil)

1) Pour la télécommande à fil (Fig. 6-6)

Réglage de la tension d'alimentation

- Toujours veiller à modifier le réglage de tension en fonction de l'alimentation utilisée.

① Passer au mode de réglage des fonctions.

Eteindre la télécommande à fil.

Appuyer simultanément sur les touches FILTER [Ⓐ] et TEST RUN [Ⓔ] pendant au moins 2 secondes. FUNCTION commence à clignoter.

- ② Utiliser la touche [Ⓒ] pour régler l'adresse du réfrigérant (3) sur 00.
- ③ Appuyer sur [Ⓓ]; [-] se met à clignoter sur l'affichage du numéro d'appareil (4).
- ④ Utiliser la touche [Ⓒ] pour attribuer le numéro 00 à l'appareil (4).
- ⑤ Appuyer sur la touche [Ⓔ] (MODE) pour spécifier l'adresse du réfrigérant/numéro d'appareil; [-] clignote momentanément sur l'affichage du numéro de mode (1).
- ⑥ Appuyer sur les touches [Ⓔ] pour régler le numéro de mode (1) sur 04.
- ⑦ Appuyer sur la touche [Ⓒ], le numéro de programmation actuellement sélectionné (2) clignotera.

Utiliser la touche [Ⓔ] pour changer de numéro de programmation selon la tension d'alimentation à utiliser.

Tension d'alimentation

- 230 V : numéro de programmation = 1
- 208 V : numéro de programmation = 2

- ⑧ Appuyer sur la touche MODE [Ⓔ], les numéros de programmation et de mode (1) et (2) changeront et seront continuellement affichés, et les détails de la programmation pourront être confirmés.
- ⑨ Appuyer simultanément sur les touches FILTER [Ⓐ] et TEST RUN [Ⓔ] pendant au moins 2 secondes. L'écran de sélection des fonctions apparaît momentanément, et l'affichage d'arrêt du climatiseur apparaît.

2) Pour la télécommande sans fil infrarouge (Fig. 6-7)

Réglage de la tension d'alimentation

- Bien modifier le réglage de la tension en fonction de la tension utilisée.

① Accéder au mode de sélection des fonctions

Appuyer sur le bouton [Ⓔ] deux fois sans le relâcher.

(Commencer cette opération avec l'affichage de la télécommande sans fil infrarouge désactivé.)

[CHECK] est allumé est « 00 » clignote.

Appuyer une fois sur le bouton temp [Ⓒ] pour sélectionner le chiffre « 50 ».

Pointer la télécommande sans fil infrarouge vers le récepteur de l'appareil intérieur, puis appuyer sur le bouton [Ⓐ].

② Réglage du numéro de l'appareil

Appuyer sur le bouton temp [Ⓒ] et [Ⓒ] pour attribuer le numéro « 00 » à l'appareil.

Pointer la télécommande sans fil infrarouge vers le récepteur de l'appareil intérieur, puis appuyer sur le bouton [Ⓔ].

③ Sélection d'un mode

Entrer 04 pour modifier le réglage de tension d'alimentation à l'aide des touches temp. [Ⓒ] [Ⓒ] et [Ⓒ].

Pointer la télécommande sans fil infrarouge vers le récepteur

de l'appareil intérieur, puis appuyer sur le bouton [Ⓐ].

- Numéro de réglage actuel:
 - 1 = 1 bip (une seconde)
 - 2 = 2 bips (d'une seconde chacun)
 - 3 = 3 bips (d'une seconde chacun)

④ Sélection du numéro de réglage

Utiliser les touches temp. [Ⓒ] [Ⓒ] et [Ⓒ] pour régler le réglage de tension d'alimentation sur 01 (240 V).

Pointer la télécommande sans fil infrarouge vers le capteur de l'appareil intérieur, puis appuyer sur le bouton [Ⓐ].

⑤ Sélection de plusieurs fonctions de manière continue

Répéter les opérations ③ et ④ pour modifier les réglages de plusieurs fonctions de manière continue.

⑥ Fin de la sélection de fonction

Pointer la télécommande sans fil infrarouge vers le capteur de l'appareil intérieur, puis appuyer sur le bouton [Ⓔ].

Remarque:

En cas de modification des paramètres des fonctions après installation ou maintenance, veiller à indiquer les modifications par un repère dans la colonne « Réglage » du tableau des fonctions.

6.3.2. Réglage des fonctions sur la commande à distance

Se reporter au mode d'emploi approprié fourni avec chaque télécommande.

6. Installations électriques

Tableau des fonctions

Sélectionner l'appareil numéro 00

| Mode | Paramètre | No. de mode Télécommande à fil (thermostat RF) | No. de réglage | Réglage initial | Réglage |
|---|--|---|----------------|-----------------|---------|
| Restauration automatique après une coupure de courant | Non disponible | 01 (101) | 1 | | |
| | Disponible *1 | | 2 | ○ | |
| Détection de la température intérieure | Moyenne de fonctionnement de l'appareil intérieur | 02 (-) | 1 | ○ | |
| | Réglée par la télécommande de l'appareil intérieur | | 2 | | |
| | Détecteur interne de la télécommande à fil | | 3 | | |
| Connectivité LOSSNAY | Non supportée | 03 (103) | 1 | ○ | |
| | Supportée (l'appareil intérieur n'est pas équipé d'une prise d'air extérieure) | | 2 | | |
| | Supportée (l'appareil intérieur est équipé d'une prise d'air extérieure) | | 3 | | |
| Tension d'alimentation | 230 V | 04 (104) | 1 | ○ | |
| | 208 V | | 2 | | |

Sélectionner les appareils numéro 01 à 03 ou tous les appareils (AL [télécommande avec fil] / 07 [télécommande sans fil])

| Mode | Paramètre | No. de mode Télécommande à fil (thermostat RF) | No. de réglage | Réglage initial | Réglage |
|---|---|---|----------------|-----------------|---------|
| Signe du filtre | 100 heures | 07 (107) | 1 | | |
| | 2500 heures | | 2 | ○ | |
| | Pas d'indicateur de signe du filtre | | 3 | | |
| Vitesse du ventilateur | Silencieux | 08 (108) | 1 | | |
| | Standard | | 2 | ○ | |
| | Haut plafond | | 3 | | |
| No. de sorties d'air | 4 directions | 09 (109) | 1 | ○ | |
| | 3 directions | | 2 | | |
| | 2 directions | | 3 | | |
| Options installées (filtre hautes performances) | Non supporté | 10 (110) | 1 | ○ | |
| | Supporté | | 2 | | |
| Réglage haut/bas des volets | Equippé de volets (Réglage de l'angle des ailettes ③) | 11 (111) | 1 | | |
| | Equippé de volets (Réglage de l'angle des ailettes ①) | | 2 | | |
| | Equippé de volets (Réglage de l'angle des ailettes ②) | | 3 | ○ | |

*1 Une fois l'alimentation rétablie, le climatiseur redémarre après 3 minutes.

*2 La configuration initiale de la restauration automatique en cas de coupure d'électricité dépend du branchement de l'appareil extérieur.

7. Marche d'essai

7.1. Avant la marche d'essai

- ▶ Lorsque l'installation, le tuyautage et le câblage des appareils intérieur et extérieur sont terminés, vérifier l'absence de fuites de réfrigérant, la fixation des câbles d'alimentation et de commande, l'absence d'erreur de polarité et contrôler qu'aucune phase de l'alimentation n'est déconnectée.
- ▶ Utiliser un mégohm-mètre de 500V pour s'assurer que la résistance entre les terminaux d'alimentation électrique et la terre soit au moins de 1,0 MΩ.
- ▶ Ne pas effectuer ce test sur les terminaux des câbles de contrôle (circuit à basse tension).

⚠ Avertissement:

Ne pas utiliser le climatiseur si la résistance de l'isolation est inférieure à 1,0 MΩ.

7.2. Marche d'essai

- Pour en savoir plus, consulter le manuel d'installation fourni avec chaque télécommande.

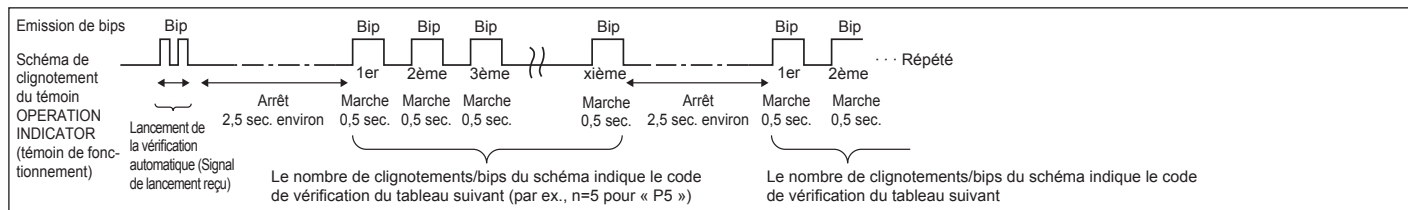
7.3. Auto-vérification

- Pour en savoir plus, consulter le manuel d'installation fourni avec chaque télécommande.
- Thermostat radiofréquence non établi.

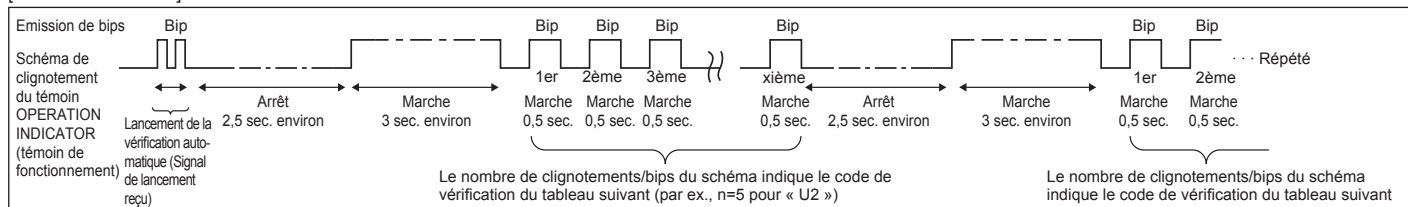
7. Marche d'essai

• Consultez les tableaux suivants pour obtenir de plus amples informations sur les codes de vérification. (Télécommande sans fil infrarouge)

[Schéma de sortie A]



[Schéma de sortie B]



[Schéma de sortie A] Erreurs détectées par l'appareil intérieur

| Télécommande sans fil infrarouge | Thermostat radiofréquence de télécommande à fil | Symptôme | Remarque |
|---|---|---|----------|
| Emission de bips/clignotements du témoin OPERATION INDICATOR (Nombre de fois) | Code de vérification | | |
| 1 | P1 | Erreur du capteur d'admission | |
| 2 | P2 | Erreur du capteur sur tuyaux (TH2) | |
| | P9 | Erreur du capteur sur tuyaux (TH5) | |
| 3 | E6, E7 | Erreur de communication de l'appareil intérieur/extérieur | |
| 4 | P4 | Erreur du capteur d'écoulement / Connecteur de l'interrupteur à flotteur ouvert | |
| 5 | P5 | Erreur de la pompe d'écoulement | |
| | PA | Erreur du compresseur à circulation forcée | |
| 6 | P6 | Fonctionnement du dispositif de protection en cas de gel/surchauffe | |
| 7 | EE | Erreur de communication entre les appareils intérieur et extérieur | |
| 8 | P8 | Erreur de température des tuyaux | |
| 9 | E4 | Erreur de réception du signal de la télécommande | |
| 10 | — | — | |
| 11 | — | — | |
| 12 | Fb | Erreur du système de contrôle de l'appareil intérieur (erreur de mémoire, etc.) | |
| Aucun son | E0, E3 | Erreur de transmission de la télécommande | |
| Aucun son | E1, E2 | Erreur du panneau du contrôleur de la télécommande | |
| Aucun son | — — | Aucun | |

[Schéma de sortie B] Erreurs détectées par un appareil autre que l'appareil intérieur (appareil extérieur, etc.)

| Télécommande sans fil infrarouge | Thermostat radiofréquence de télécommande à fil | Symptôme | Remarque |
|---|---|---|---|
| Emission de bips/clignotements du témoin OPERATION INDICATOR (Nombre de fois) | Code de vérification | | |
| 1 | E9 | Erreur de communication de l'appareil intérieur/extérieur (Erreur de transmission) (Appareil extérieur) | Pour de plus amples informations, contrôlez l'écran LED du panneau du contrôleur extérieur. |
| 2 | UP | Interruption due à la surintensité du compresseur | |
| 3 | U3, U4 | Circuit ouvert/court-circuit des thermistances de l'appareil extérieur | |
| 4 | UF | Interruption due à la surintensité du compresseur (Quand compresseur verrouillé) | |
| 5 | U2 | Température de décharge anormalement élevée/fonctionnement de 49C/réfrigérant insuffisant | |
| 6 | U1, Ud | Pression anormalement élevée (Fonctionnement de 63H)/Fonctionnement du dispositif de protection en cas de surchauffe | |
| 7 | U5 | Température anormale de la source de froid | |
| 8 | U8 | Arrêt du dispositif de protection du ventilateur de l'appareil extérieur | |
| 9 | U6 | Interruption due à la surintensité du compresseur/Module d'alimentation anormal | |
| 10 | U7 | Surchauffe anormale due à une température de décharge basse | |
| 11 | U9, UH | Anomalies telles que surtension ou sous-tension et signal synchronisé anormal vers le circuit principal/Erreur du capteur d'intensité | |
| 12 | — | — | |
| 13 | — | — | |
| 14 | Autres | Autres erreurs (Consultez le manuel technique de l'appareil extérieur.) | |

*1 Si l'émetteur de bips ne sonne plus suite aux deux bips initiaux pour confirmer que le signal de lancement de la vérification automatique a été reçu et si le témoin OPERATION INDICATOR (témoin de fonctionnement) ne s'allume pas, ceci signifie qu'aucune erreur n'a été enregistrée.

*2 Si l'émetteur de bips sonne trois fois de suite « bip, bip (0,4 + 0,4 + 0,4 sec.) », après les deux bips initiaux pour confirmer que le signal de lancement de la vérification automatique a été reçu, ceci signifie que l'adresse du réfrigérant spécifié est incorrecte.

• Sur la télécommande sans fil infrarouge

La sonnerie continue est déclenchée dans la section de réception de l'appareil intérieur.

Clignotement du témoin de fonctionnement

• Sur la télécommande à fil

Code de vérification affiché à l'écran LCD.

7. Marche d'essai

- Si vous ne parvenez pas à faire fonctionner l'appareil correctement après avoir mené à bien le test d'essai indiqué ci-dessus, consulter le tableau suivant pour en trouver la cause éventuelle.

| Symptôme | | Cause | |
|---|---|---|--|
| Télécommande à fil | Témoin 1, 2 (circuit de l'appareil extérieur) | | |
| PLEASE WAIT | Pendant environ 2 minutes après la mise sous tension. | LED 1 et 2 sont allumés, LED 2 s'éteint, puis seul LED 1 reste allumé (Fonctionnement correct). | • Pendant environ deux minutes après la mise sous tension, il n'est pas possible d'utiliser la télécommande à cause du démarrage du système (Fonctionnement correct). |
| PLEASE WAIT → Code d'erreur | Après un délai d'environ deux minutes suivant la mise sous tension. | Seul LED 1 est allumé. → LED 1 et 2 clignotent. | • Le connecteur pour le dispositif de protection de l'appareil extérieur n'est pas raccordé. • Câblage inversé ou en phase ouverte pour le bloc d'alimentation de l'appareil extérieur (L1, L2, GR) |
| Aucun message n'est affiché même lorsque l'interrupteur de fonctionnement est sur ON (le témoin de fonctionnement ne s'allume pas). | | Seul LED 1 est allumé. → LED 1 clignote deux fois, LED 2 clignote une fois. | • Câblage incorrect entre les appareils intérieur et extérieur (polarité incorrecte de S1, S2, S3) • Court-circuit de la télécommande |

Dans les conditions répertoriées ci-avant, le phénomène suivant se produit au niveau de la télécommande sans fil infrarouge

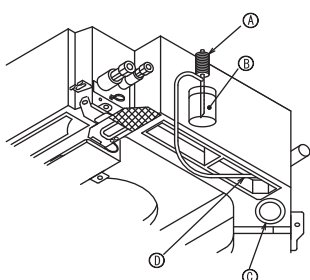
- Aucun signal de la télécommande n'est accepté.
- Le témoin OPERATION clignote.
- La sonnerie émet un son court et aigu.

Remarque:

Son utilisation n'est pas possible pendant 30 secondes après l'annulation de la sélection de fonction (Fonctionnement correct).

Pour la description de chacun des témoins (LED 1, 2, 3) repris sur le contrôleur de l'appareil intérieur, se reporter au tableau suivant.

| | |
|--|--|
| LED 1 (alimentation du micro-ordinateur) | Indique si l'alimentation est fournie au contrôleur. Ce témoin doit toujours être allumé. |
| LED 2 (alimentation de la télécommande) | Indique si l'alimentation est fournie à la télécommande. Ce témoin s'allume uniquement pour l'appareil intérieur raccordé à l'appareil réfrigérant extérieur dont l'adresse est « 0 ». |
| LED 3 (communication entre les appareils intérieur et extérieur) | Indique l'état de communication entre les appareils intérieur et extérieur. Ce témoin doit toujours clignoter. |



- Ⓐ Pompe d'arrivée d'eau
- Ⓑ Eau (environ 1000 cc, 1/4 gal)
- Ⓒ Bouchon de vidange
- Ⓓ Verser l'eau à travers le conduit
Veiller à ne pas éclabousser d'eau dans le mécanisme de la pompe d'écoulement.

7.4. Vérification de l'écoulement (Fig. 7-5)

- S'assurer de l'écoulement correct de l'eau et de la bonne étanchéité des joints.

Une fois l'installation électrique terminée.

- Verser de l'eau pendant le fonctionnement de la climatisation et vérifier.

Si l'installation électrique n'est pas terminée.

- Verser de l'eau pendant le fonctionnement en urgence et vérifier.

* Le plateau d'écoulement et le ventilateur sont activés simultanément lorsque les bornes S1 et S2 sont activées avec un courant monophasé de 220-240 V après le réglage sur ON du connecteur (SWE) sur la carte de commande du boîtier électrique de dérivation.

Veiller à rétablir l'état précédent à la fin des travaux.

8. Contrôle du système

Consulter le manuel d'installation de l'appareil extérieur.

9. Installer la grille

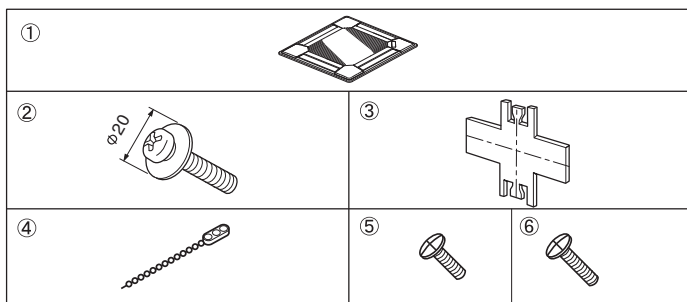


Fig. 9-1

(pouce)

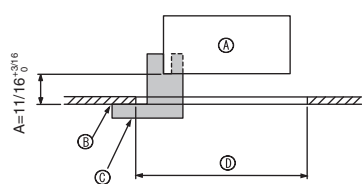


Fig. 9-2

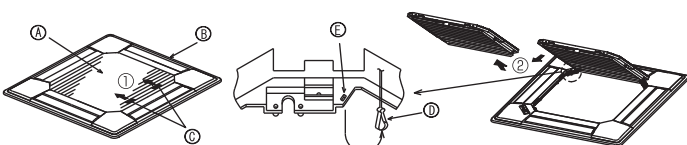


Fig. 9-3

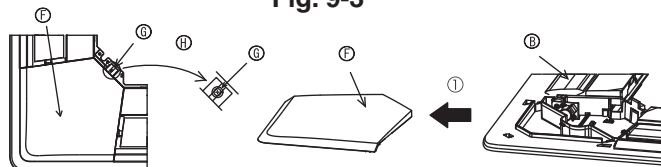


Fig. 9-4

| | 4 directions | 3 directions |
|---|--------------|---|
| Systèmes de direction de la soufflerie Un système: réglage d'usine | | 4 systèmes: une sortie d'air entièrement fermée |
| | 2 directions | |
| Systèmes de direction de la soufflerie 6 systèmes: deux sorties d'air entièrement fermées | | |

Table 1

(pouce)

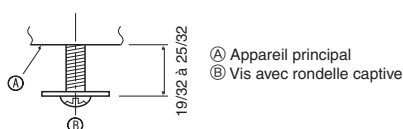


Fig. 9-5

9.1. Vérification du contenu (Fig. 9-1)

• Ce kit contient ce manuel et les pièces suivantes.

| | Nom de l'accessoire | Qté | Observations |
|---|---------------------------|-----|--|
| ① | Grille | 1 | 950 × 950 (mm), 37-3/8 × 37-3/8 (pouces) |
| ② | Vis avec rondelle captive | 4 | M5 × 0,8 × 25 |
| ③ | Jauge | 1 | (Divisé en quatre parties) |
| ④ | Attache | 3 | |
| ⑤ | Vis | 4 | 4 × 8 |
| ⑥ | Vis | 1 | 4 × 12 |

9.2. Préparation avant d'attacher la grille (Fig. 9-2)

• A l'aide de la jauge ③ fournie avec ce kit, régler et vérifier la position de l'appareil par rapport au plafond. Si l'appareil n'est pas correctement positionné, il y aura des risques de fuites d'air et de la condensation pourrait s'accumuler.

• Vous assurer que l'ouverture dans le plafond se trouve dans les tolérances suivantes:

860 × 860 - 910 × 910 mm, 33-7/8 × 33-7/8 à 35-13/16 × 35-13/16 pouces.

• S'assurer que le point A s'effectue dans une fourchette allant de 17 à 22 mm, 11/16-7/8 pouces. Le non respect de cette marge pourrait être à l'origine de certains dégâts.

Ⓐ Appareil principal

Ⓑ Plafond

Ⓒ Jauge ③ (insérée dans l'appareil)

Ⓓ Dimensions de l'ouverture dans le plafond

9.2.1. Retrait de la grille d'admission (Fig. 9-3)

• Pour ouvrir la grille d'admission, faire glisser les leviers dans le sens indiqué par la flèche ①.

• Défaire le crochet qui sert à fixer la grille.

* Ne pas décrocher le crochet de la grille d'admission.

• Lorsque la grille se trouve en position « ouverte », retirer la charnière de la grille d'admission comme indiqué par la flèche ②.

9.2.2. Retrait du panneau en coin (Fig. 9-4)

• Retirer la vis du coin du panneau en coin. Faire glisser le panneau comme indiqué par la flèche ① pour le déposer.

[Fig.9-3] [Fig.9-4]

Ⓐ Grille d'admission

Ⓑ Grille

Ⓒ Leviers de la grille d'admission

Ⓓ Crochet de la grille

Ⓔ Orifice pour le crochet de la grille

Ⓕ Panneau en coin

Ⓖ Vis

Ⓗ Détail

9.3. Sélection des sorties d'air

Pour cette grille, le sens d'expulsion de l'air peut être réglé de onze manières différentes. De plus, en activant les réglages appropriés sur la télécommande à fil, il est possible d'ajuster le flux d'air et la vitesse. Sélectionner les réglages nécessaires dans le tableau en fonction de l'endroit où vous souhaitez installer l'appareil.

1) Décider du sens d'expulsion.

2) Veiller à régler correctement la télécommande à fil en fonction du nombre de sorties d'air et de la hauteur du plafond au niveau duquel l'appareil sera installé.

Remarque:

Pour une sortie d'air dans deux ou trois directions, utiliser le volet de sortie d'air (en option).

9.4. Installer la grille

9.4.1. Préparatifs (Fig. 9-5)

• Installer les deux vis livrées, munies des rondelles d'étanchéité ②, dans l'appareil principal (dans le coin de la zone du tuyau d'écoulement et dans le coin opposé) comme indiqué sur le schéma.

9. Installer la grille

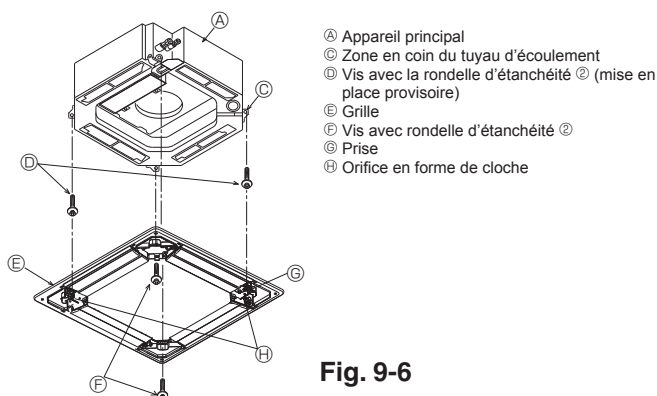


Fig. 9-6

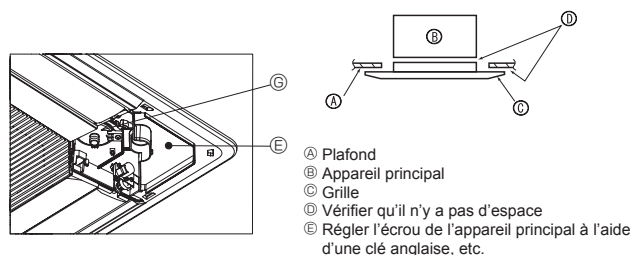


Fig. 9-7

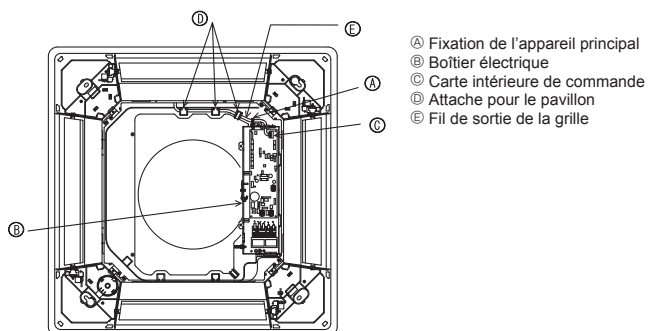


Fig. 9-8

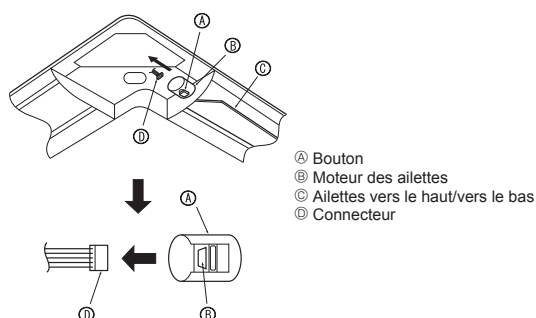


Fig. 9-9

9.4.2. Mise en place provisoire de la grille (Fig. 9-6)

- Attacher provisoirement la grille à l'aide des orifices en forme de cloche en alignant la zone du coin du tuyau d'écoulement de l'appareil principal sur la prise de la grille marquée ③.

* Veiller à ne pas coincer les câbles de la grille entre la grille et l'appareil principal.

9.4.3. Fixation de la grille (Fig. 9-7)

- Attacher la grille à l'appareil principal en serrant les deux vis mises en place au préalable (avec des rondelles d'étanchéité captives) et en utilisant les deux vis restantes (avec rondelles captives également).

* Vérifier qu'il n'y a pas d'espace entre l'appareil principal et la grille ou entre la grille et le plafond.

Suppression de tout espace entre la grille et le plafond

Lorsque la grille est en place, régler la hauteur de l'appareil principal pour supprimer tout espace vide.

⚠ Précaution:

Lorsque vous serrez la vis avec la rondelle captive ②, serrez-la à un couple de 4,8 N·m (3,5 ft·lbs) ou moins. N'utilisez jamais un tournevis à frapper.

- Cela pourrait endommager les pièces.

9.4.4. Câblage (Fig. 9-8)

- Retirer les 2 vis fixant le couvercle du boîtier électrique de dérivation de l'appareil et ouvrir le couvercle.

- Veiller à raccorder le connecteur (blanc, pôle 20) du moteur des ailettes de la grille au connecteur CNV de la carte de commande de l'appareil.

- Comme pour le PLP-42BALM, le connecteur du câble de capteur sans fil est aussi raccordé au connecteur CN90 de la carte de commande intérieure.

Le fil de sortie de la grille passe parfaitement à travers l'attache du pavillon de l'appareil. Le fil de sortie restant est attaché avec l'agrafe de l'appareil. Remettre le couvercle de l'appareil avec 2 vis.

Remarque :

Ne pas mettre le fil de sortie restant dans le boîtier électrique de dérivation de l'appareil.

9.5. Verrouillage du sens de la soufflerie d'air vers le haut/vers le bas (Fig. 9-9)

Les ailettes de l'appareil peuvent être réglées et verrouillées dans le sens vers le haut ou vers le bas en fonction de l'environnement d'exploitation.

- Régler les ailettes à la meilleure convenance de l'utilisateur.

Le réglage du verrouillage vers le haut/bas des volets et toutes les commandes automatiques ne sont pas possibles via la télécommande à fil. En outre, la position réelle des volets peut différer de la position indiquée sur la télécommande à fil.

- Mettre l'interrupteur principal hors tension.

Si le ventilateur de l'appareil devait fonctionner, vous risqueriez de vous blesser ou de recevoir une décharge électrique.

- Débrancher le connecteur du moteur des ailettes du ventilateur que vous souhaitez verrouiller. (Appuyer sur le bouton et, en même temps, retirer le connecteur dans le sens indiqué par la flèche illustrée sur le schéma.) Lorsque le connecteur est déposé, l'isoler avec du ruban spécialement conçu à cet effet.

Le réglage peut également être réalisé via la télécommande à fil. Se reporter au manuel d'utilisation.

9.6. Vérification

- Vous assurer qu'il n'y a aucun espace entre l'appareil et la grille, ou entre la grille et la surface du plafond. S'il y a un espace quelconque entre l'appareil et la grille, ou entre la grille et la surface du plafond, il est possible que de la rosée s'y accumule.

- Vous assurer que les fils sont bien connectés.

9. Installer la grille

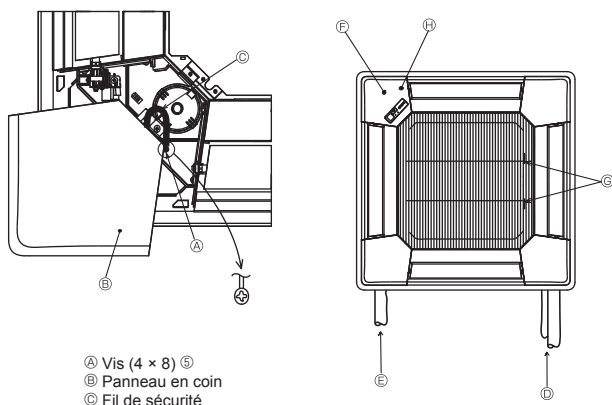


Fig. 9-10

- Ⓐ Vis (4 × 8) ⑤
- Ⓑ Panneau en coin
- Ⓒ Fil de sécurité

9.7. Installation de la grille d'aspiration (Fig. 9-10)

Remarque :

Lors de la remise en place des panneaux en coin (chacun attaché avec un fil de sécurité), raccorder l'autre extrémité de chaque fil de sécurité à la grille à l'aide d'une vis (4 éléments 4 × 8) comme illustré.

* Si les panneaux en coin ne sont pas attachés, ils risquent de tomber pendant que l'appareil fonctionne.

• Procéder comme indiqué au point « 9.2. Préparation avant d'attacher la grille » mais en sens inverse pour mettre la grille d'admission et le panneau en coin en place.

• Vous pouvez installer plusieurs appareils avec la grille de sorte que la position du logo sur chaque panneau en coin corresponde à celle des autres appareils, quelle que soit l'orientation de la grille d'admission. Aligner le logo sur le panneau selon les souhaits de l'utilisateur comme illustré sur le schéma de gauche. (Il est possible de modifier la position de la grille.)

Ⓔ Tuyau de réfrigérant de l'appareil principal

Ⓕ Tuyau d'écoulement de l'appareil principal

Ⓖ Position du panneau en coin à la sortie d'usine (avec logo).

* Installation dans toute position possible

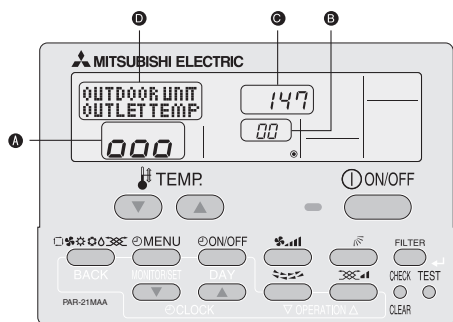
Ⓗ Position des leviers de la grille d'admission à la sortie d'usine.

* Bien que les clips puissent être fixés dans n'importe laquelle des quatre positions, nous conseillons la configuration illustrée ici. (Il n'est pas nécessaire de retirer la grille d'admission lors d'intervention technique sur le boîtier de composants électriques de l'appareil principal.)

Ⓘ Récepteur (PAR-SA9FA-E uniquement)

10. Fonction d'entretien aisé (Pour les applications PUZ-A/PUY-A uniquement)

Exemple d'affichage (température de décharge du comp. 147 °F)



■ Uniquement pour la télécommande à fil.

A l'aide du mode d'entretien, il est possible d'afficher plusieurs types de données d'entretien sur la commande à distance, telles que la température de l'échangeur thermique et la consommation électrique du compresseur pour les appareils intérieur et extérieur.

Cette fonction peut être utilisée que le climatiseur fonctionne ou non.

En fonctionnement, les données peuvent être vérifiées pendant le fonctionnement normal ou le fonctionnement stable en mode d'entretien.

* Cette fonction ne peut pas être utilisée pendant la marche d'essai.

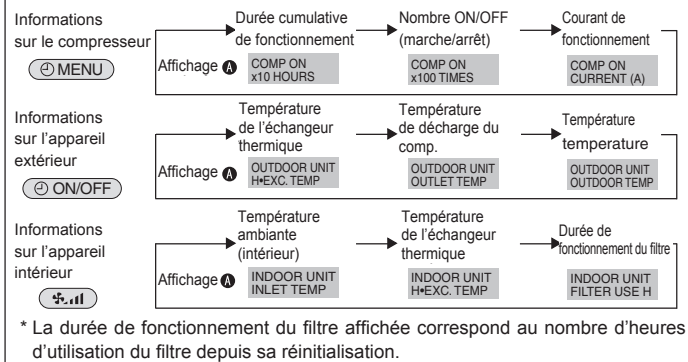
* La disponibilité de cette fonction dépend de la connexion de l'appareil extérieur. Consulter les brochures.

Procédures de fonctionnement en mode d'entretien

(1) Appuyer sur la touche **TEST** pendant trois secondes pour activer le mode d'entretien. Affichage **MAINTENANCE**

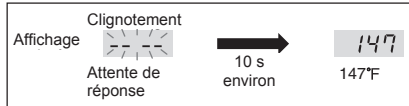
(2) Appuyer sur les touches **TEMP.** (de température) **▼ ▲** pour régler l'adresse de réfrigérant. Affichage **00 ↔ 01 15**

(3) Sélectionner les données à afficher.



(4) Appuyer sur la touche **FILTER**.

(5) Les données s'affichent en **Ⓞ**. (Exemple d'affichage de la température du flux d'air)

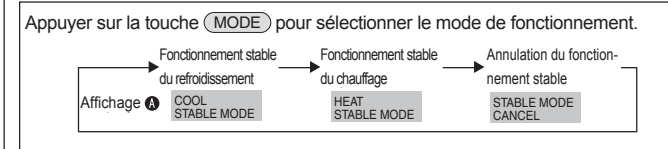


* Répéter les étapes (2) à (5) pour vérifier une autre date.

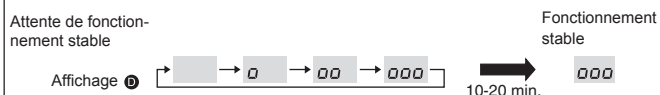
(6) Appuyer sur la touche **TEST** pendant trois secondes ou sur la touche **ON/OFF** pour désactiver le mode d'entretien.

Fonctionnement stable

Le mode d'entretien permet de déterminer la fréquence de fonctionnement et de stabiliser le fonctionnement. En cas d'arrêt du climatiseur, utiliser la procédure suivante pour le redémarrer.



Appuyer sur la touche **FILTER**.



* Vous pouvez vérifier les données à l'aide des étapes (3) à (5) des procédures de fonctionnement en mode d'entretien tout en attendant le fonctionnement stable.

Contenido

| | | | |
|--|----|--|----|
| 1. Medidas de Seguridad | 30 | 6. Trabajo eléctrico | 35 |
| 2. Lugar en que se instalará | 31 | 7. Prueba de funcionamiento | 38 |
| 3. Instalación de la unidad interior | 31 | 8. Sistema de control | 41 |
| 4. Instalación de los tubos del refrigerante | 33 | 9. Instalación de la rejilla | 41 |
| 5. Tubería de drenaje | 34 | 10. Función de mantenimiento fácil (aplicación PUZ-A/PUY-A solamente) .. | 43 |

1. Medidas de Seguridad

- ▶ **Antes de instalar la unidad, asegúrese de haber leído el capítulo de "Medidas de seguridad".**
- ▶ **Informe al encargado del suministro u obtenga su consentimiento antes de conectar este equipo al sistema de suministro de alimentación.**

⚠ Atención:

Describe las precauciones que deben tenerse en cuenta para evitar el riesgo de lesiones o muerte del usuario.

⚠ Cuidado:

Describe las precauciones que deben tenerse en cuenta para evitar daños en la unidad.

⚠ Atención:

- La instalación del aire acondicionado debe correr a cargo del distribuidor o técnico autorizado.
- Para la instalación, siga las instrucciones del Manual de instalación y utilice las herramientas y piezas de fontanería específicamente diseñadas para utilizar con el refrigerante especificado en el manual de instalación de la unidad exterior.
- La unidad debe instalarse según las instrucciones para reducir posibles daños en caso de terremoto, huracán o vientos fuertes. Si no se instala correctamente, la unidad podría caerse y provocar daños o lesiones.
- La unidad debe instalarse firmemente sobre una estructura capaz de soportar su peso.
- Si el equipo de aire acondicionado se instala en una sala pequeña deberán tomarse medidas para prevenir que la concentración de refrigerante exceda los límites de seguridad en caso de fugas. Si se produce una fuga de refrigerante que sobrepase los límites de concentración, la estancia en la sala puede ser peligrosa por falta de oxígeno.
- Si se produce una fuga de refrigerante durante el funcionamiento, ventile la sala. Si el refrigerante entra en contacto con una llama, se desprenderán gases nocivos.
- Todas las conexiones eléctricas deberán ser realizadas por un técnico cualificado según la normativa local y las instrucciones de este manual.

Después de terminar la instalación, explique las "Medidas de Seguridad", funcionamiento y mantenimiento de la unidad al cliente según el Manual de instrucciones y realice una prueba para asegurarse de que funciona correctamente. Entregue una copia del Manual de instalación y del Manual de instrucciones al usuario. Estos manuales deben pasar a usuarios posteriores del equipo.

⚡ : Indica una pieza que debe estar conectada a tierra.

⚠ Atención:

Lea atentamente las etiquetas adheridas a la unidad principal.

⚠ Cuidado:

Los aparatos no son accesibles al público general.

Instale la unidad interior al menos 2,4 m (94-1/2 pulgadas) por encima del suelo.

1.1. Cuestiones previas a la instalación (Ambiente)

⚠ Cuidado:

- No utilice la unidad en un ambiente enrarecido. Si instala el aire acondicionado en áreas expuestas al vapor, aceite esencial (incluyendo el aceite para máquinas), o humo sulfúrico, áreas con alto contenido en sal como playas, el rendimiento puede verse reducido significativamente y las piezas internas pueden dañarse.
- No instale la unidad donde se puedan verter, producir, circular o acumular gases inflamables. Si se acumula gas inflamable en zonas próximas a la unidad, se podría producir un incendio o una explosión.
- No coloque alimentos, plantas, animales, obras de arte o instrumentos de precisión en la salida de aire directa de la unidad exterior o demasiado cerca de ella, ya que los cambios de temperatura o el agua que gotea podrían dañarlos.

- Cuando la humedad de la habitación supera el 80%, o cuando el tubo de drenaje esté obstruido, puede gotear agua de la unidad interior. No instale la unidad interior en lugares donde el goteo pueda causar daños.
- Si instala la unidad en un hospital o en un centro de comunicaciones, recuerde que la unidad produce ruidos e interferencias electrónicas. Los conmutadores, aparatos domésticos, equipos médicos de alta frecuencia y las comunicaciones de radio pueden provocar un mal funcionamiento o la avería del equipo de aire acondicionado. El equipo de aire acondicionado también puede afectar los equipos médicos e interrumpir los cuidados médicos, así como los equipos de comunicación y dañar la calidad de la pantalla.

1.2. Antes de la instalación o reubicación

⚠ Cuidado:

- Tenga mucho cuidado cuando mueva las unidades. Se necesitan dos o más personas para llevar la unidad ya que pesa 20 kg, 40 lbs. o más. No la sujete por las bandas de embalaje. Utilice guantes protectores ya que se podría lesionar con las aletas u otras partes.
- Guarde los embalajes en un lugar seguro. Los materiales de embalaje, como clavos y otras piezas de metal o de madera pueden producir pinchazos y otras lesiones.
- El tubo de refrigerante debe estar aislado térmicamente para evitar la condensación. Si el tubo de refrigerante no se aísla correctamente, se formará condensación.

- Sitúe material aislante térmico en las tuberías para evitar la condensación. Si el tubo de drenaje no se instala correctamente, se puede producir un escape de agua o daños en el techo, suelo, muebles u otros objetos.
- No limpie con agua el equipo de aire acondicionado. Puede sufrir una descarga eléctrica.
- Apriete las tuercas de abocardado a los niveles especificados mediante una llave dinamométrica. Si las aprieta demasiado, se pueden romper al cabo de un tiempo.

1.3. Antes de la instalación eléctrica

⚠ Cuidado:

- Asegúrese de instalar disyuntores. Si no se instalan, se podrían producir descargas eléctricas.
- Use cables estándar de suficiente capacidad para las líneas eléctricas. Si no lo hace así, se podría producir un cortocircuito, un sobrecalentamiento o un incendio.

- Cuando instale las líneas eléctricas, los cables no deben tener corriente.
- Asegúrese de instalar una toma de tierra. Si la unidad no está bien conectada a la línea de tierra, se puede producir una descarga eléctrica.
- Utilice disyuntores (interruptor de falta de tierra, interruptor aislante (+fusible B) e interruptores en caja moldeada) con la potencia especificada. Si la potencia del interruptor es mayor que la especificada, puede ocurrir un incendio o una avería.

1.4. Antes de realizar las pruebas de funcionamiento

⚠ Cuidado:

- Conecte la corriente al menos 12 horas antes de que empiece a funcionar el equipo. Si se acciona inmediatamente después de haberlo conectado a la corriente, pueden producirse daños graves en las piezas internas.
- Antes de que comience a funcionar el equipo, compruebe que todos los paneles y protectores están instalados correctamente. Las piezas giratorias, calientes o de alto voltaje pueden provocar lesiones.
- No haga funcionar el equipo de aire acondicionado sin el filtro de aire

- instalado. Si el filtro de aire no está colocado, se puede acumular el polvo y se puede averiar el equipo.
- No toque ningún interruptor con las manos mojadas. Puede sufrir una descarga eléctrica.
- No toque la tubería del refrigerante sin guantes mientras durante el funcionamiento.
- Una vez deje de funcionar el aparato, espere cinco minutos antes de apagar el interruptor principal. De lo contrario, se puede producir un goteo de agua o una avería.

3. Instalación de la unidad interior

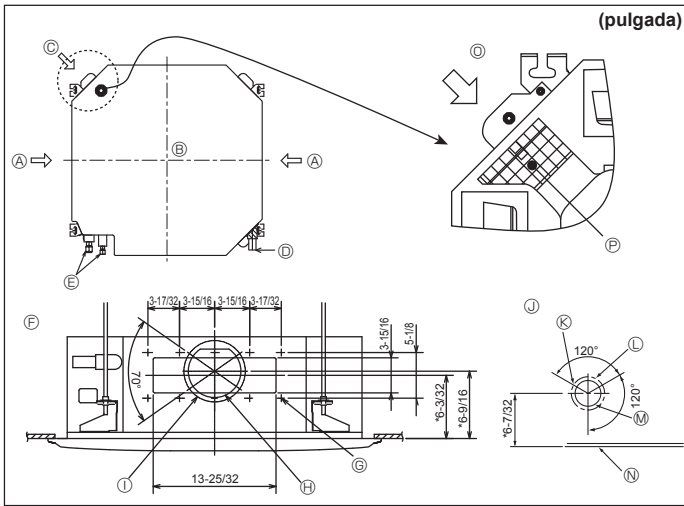


Fig. 3-4

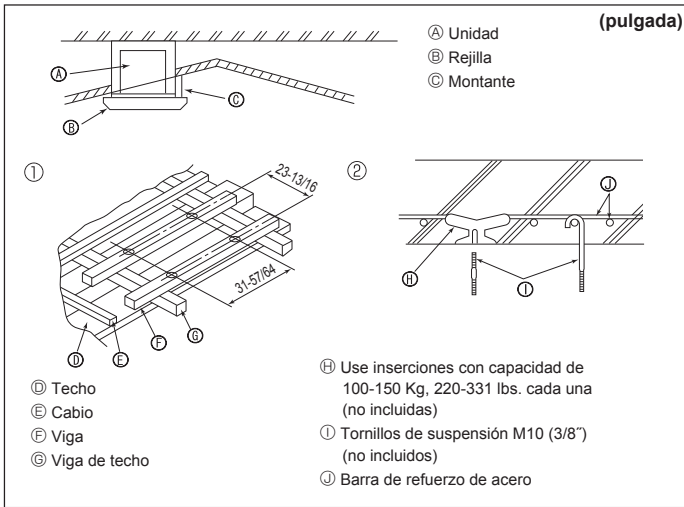


Fig. 3-5

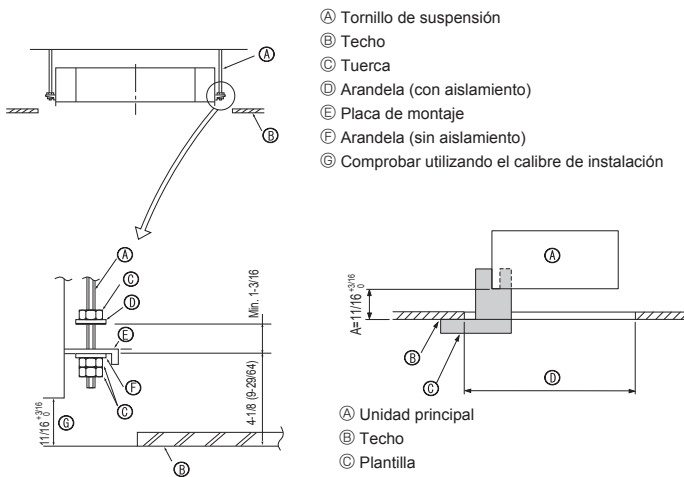


Fig. 3-6

- A Tornillo de suspensión
- B Techo
- C Tuerca
- D Arandela (con aislamiento)
- E Placa de montaje
- F Arandela (sin aislamiento)
- G Comprobar utilizando el calibre de instalación

- A Unidad principal
- B Techo
- C Plantilla
- D Dimensiones de apertura del techo

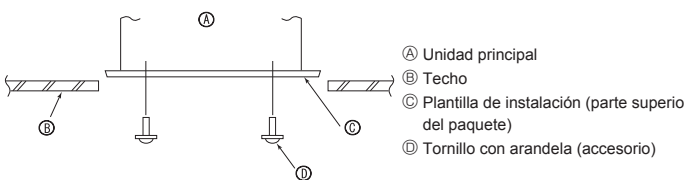


Fig. 3-8

- A Unidad principal
- B Techo
- C Plantilla de instalación (parte superior del paquete)
- D Tornillo con arandela (accesorio)

3.4. Orificio para conducciones y orificio para toma de aire fresco (Fig. 3-4)

Durante la instalación utilice los orificios para conducciones (taladrados) que se encuentran en los puntos indicados en la Fig. 3-4, como y cuando sea necesario.

- También puede realizar un orificio para toma de aire fresco para la caja multifuncional opcional.

Nota:

Las cifras marcadas mediante * en el gráfico representan el tamaño de la unidad principal sin tener en cuenta la caja multifuncional opcional. Cuando instale dicha caja, añada 135 mm, 5-5/16 pulgadas a las dimensiones marcadas en la figura.

Quando instale el ramal de conducción, asegúrese de aislar lo adecuadamente. En caso contrario, podría producirse condensación y goteos.

Al instalar el orificio para la toma de aire fresco, asegúrese de quitar el aislante P pegado a la unidad interior.

- A Orificio para ramal de conducción
- B Unidad interior
- C Orificio para toma de aire fresco
- D Diagrama del orificio para toma de air efrresco
- E Tubo de drenaje
- F Diagrama del orificio para ramal de conducción (vista desde ambos lados)
- G Orificio taladrado 14-ø2,8 mm, ø1/8 pulgada
- H Orificio de corte ø150mm, ø5-29/32 pulgadas
- I Paso del orificio taladrado ø175 mm, ø6-7/8 pulgadas
- J Orificio taladrado 3-ø2,8 mm, ø1/8 pulgada
- K Orificio de corte ø125 mm, ø4-29/32 pulgadas
- L Paso del orificio taladrado ø125 mm, ø4-29/32 pulgadas
- M Orificio de corte ø100 mm, ø3-15/16 pulgadas
- N Techo
- O Figura explicativa sobre la extracción del aislante
- P Aislante

3.5. Estructura de suspensión (Refuerzo de la estructura de suspensión) (Fig. 3-5)

Los trabajos en el techo diferirán según el tipo de construcción del edificio. Se deberá consultar a los constructores y decoradores de interiores.

- (1) Apertura del techo: El techo se mantendrá totalmente horizontal y se reforzarán las estructuras (marco: listones de madera y soportes de listones) para proteger el techo de vibraciones.
- (2) Corte y extraiga la estructura del techo.
- (3) Refuerce los bordes del fundamento de techo donde ha sido cortado y añada elementos estructurales para asegurar los extremos del panel de techo.
- (4) Al instalar la unidad interior en un techo inclinado coloque un montante entre el techo y rejilla y disponga la instalación de forma que la unidad quede horizontal.

① Estructuras de madera

• Use vigas-tirante (para casas de un solo piso) o vigas de doble piso (para casas de dos pisos) como refuerzo.

• Las vigas de madera para suspender unidades de aire acondicionado deben ser resistentes y sus lados deben medir, al menos, 6 cm, 2-3/8 pulgadas si las vigas están separadas no más de 90 cm, 35-7/16 pulgadas, o al menos 9 cm, 3-9/16 pulgadas si están separadas hasta 180 cm, 70-7/18 pulgadas. El tamaño de los tornillos de suspensión debería ser de ø10 (3/8"). (Los tornillos no vienen incluidos con la unidad.)

② Estructuras de hormigón armado

Asegure los tornillos de suspensión con el método que se muestra en el gráfico o utilice ganchos de acero o madera, etc. para instalar los tornillos de sujeción.

3.6. Procedimientos de suspensión de la unidad (Fig. 3-6)

Suspenda la unidad principal como muestra el diagrama.

Las cifras entre paréntesis representan las dimensiones en caso de instalar la caja multifuncional.

1. Primero coloque las piezas en los tornillos de sujeción en el orden siguiente: arandelas (con aislamiento), arandelas (sin aislamiento) y tuercas (dobles).
 - Coloque la arandela con el acolchado de forma que el aislamiento mire hacia abajo.
 - Si se utilizan arandelas superiores para colgar la unidad principal, las arandelas inferiores (con aislamiento) y las tuercas (dobles) se colocarán más tarde.
2. Levante la unidad hasta la altura adecuada de los tornillos de sujeción para insertar la placa de montaje entre arandelas y apretar luego las tuercas.
3. Cuando la unidad principal no pueda ser alineada contra los orificios de montaje en el techo, se puede ajustar posteriormente gracias a la ranura prevista en la placa de montaje.
 - Asegúrese de que el paso A se realiza en 17-22 mm, 11/16 a 7/8 pulgada. Si no se respeta este margen, podrían producirse graves daños. (Fig. 3-7)

⚠ **Cuidado:**

Utilice la mitad superior de la caja como cubierta protectora para impedir que se introduzca polvo o escombros en el interior de la unidad antes de la instalación de la cubierta decorativa o cuando se coloquen materiales de revestimiento.

3.7. Confirmación de la posición de la unidad principal y apriete de los tornillos de sujeción (Fig. 3-8)

- Cerciórese, utilizando el calibre unido a la rejilla, de que la parte inferior de la unidad principal esté correctamente alineada con la apertura del techo. Confírmelo, ya que en caso contrario se puede generar una condensación y gotear debido a pérdidas de aire, etc.
- Confirme que la unidad principal está nivelada horizontalmente mediante un nivel o tubo de vinilo relleno de agua.
- Una vez comprobada la posición de la unidad principal, apriete firmemente las tuercas de los tornillos de suspensión para fijar la unidad principal.
- La plantilla de instalación (parte superior del paquete) se puede utilizar como hoja de protección para evitar que entre el polvo en la unidad principal cuando no estén colocadas las rejillas durante un lapso temporal o cuando se alineen los materiales del techo después de haber finalizado la instalación de la unidad.
- * Para más detalles sobre su uso consulte las instrucciones de la plantilla de instalación.

4. Instalación de los tubos del refrigerante

4.1. Precauciones

Para aparatos con refrigerante R410A

- Utilice aceite de éster, de éter o alquilobenceno (en pequeñas cantidades) para recubrir las secciones abocardadas.
- Utilice tubos de cobre fosforoso del tipo C1220 y tubos de aleación de cobre sin costuras para conectar los tubos del refrigerante. Utilice tuberías para refrigerante del grosor especificado en la tabla siguiente. Asegúrese de que el interior de las tuberías está limpio y que no contienen ningún contaminante nocivo como compuestos sulfúricos, oxidantes, restos o polvo.

⚠ Atención:

Cuando instale, mueva o revise el equipo de aire acondicionado, utilice solo el refrigerante indicado (R410A) para cargar los tubos del refrigerante. No lo mezcle con otro tipo de refrigerante y vacíe completamente de aire los tubos. Si el aire se mezcla con el refrigerante, podría producir una tensión anormalmente alta en el tubo del refrigerante y ocasionar una explosión u otros peligros.

Usar un refrigerante distinto al indicado para el sistema provocará un fallo mecánico, un funcionamiento defectuoso del sistema o la avería de la unidad. En el peor de los casos, podría suponer un grave impedimento para garantizar la seguridad del producto.

| | A12, A18 | A24, A30, A36, A42 |
|-----------------|--|---|
| Tubo de líquido | ø6,35mm, ø1/4 pulgada Grosor 0,8 mm, 1/32 pulgada | ø9,52mm, ø3/8 pulgada Grosor 0,8 mm, 1/32 pulgada |
| Tubo de gas | ø12,7mm, ø1/2 pulgada Grosor 0,8 mm, 1/32 pulgada | ø15,88mm, ø5/8 pulgada Grosor 1,0 mm, 3/64 pulgada |

- No utilice tubos con un grosor menor del especificado a continuación.

4.2. Tubos de conexión (Fig. 4-1)

- Si se utilizan tubos de cobre convencionales, envuelva los tubos de gas y líquido con materiales aislantes (resistente al calor hasta 100 °C, 212 °F o más, espesor de 12 mm, 1/2 pulgada o más).
- Las piezas interiores del tubo de drenaje tienen que estar envueltas en materiales aislantes de espuma de polietileno (gravedad específica de 0,03 y espesor de 9 mm, 23/64 pulgada o más).
- Aplique una capa delgada de aceite refrigerante a la superficie tubo y de la junta de asiento antes de apretar la tuerca de abocardado.
- Utilice dos llaves de apriete para apretar las conexiones de los tubos.
- Utilice el aislante de tubería de refrigerante suministrado para aislar las conexiones de la unidad interior. Realice los aislamientos con cuidado.

ⓑ Torsión de apriete de la tuerca abocardada

| Tubo de cobre O.D. (mm, pulgada) | Tuerca de abocardado O.D. (mm, pulgada) | Torsión de apriete (N-m, ft., lbs) |
|----------------------------------|---|------------------------------------|
| ø6,35, 1/4 | 17, 43/64 | 14-18, 10-13 |
| ø6,35, 1/4 | 22, 7/8 | 34-42, 25-30 |
| ø9,52, 3/8 | 22, 7/8 | 34-42, 25-30 |
| ø12,7, 1/2 | 26, 1-3/64 | 49-61, 35-44 |
| ø12,7, 1/2 | 29, 1-9/64 | 68-82, 49-59 |
| ø15,88, 5/8 | 29, 1-9/64 | 68-82, 49-59 |
| ø15,88, 5/8 | 36, 1-27/64 | 100-120, 71-86 |
| ø19,05, 3/4 | 36, 1-27/64 | 100-120, 71-86 |

Ⓒ Aplique aceite refrigerante para máquinas en toda la superficie abocardada.

Ⓓ Utilice tuercas abocardadas que coincidan con el tamaño de la tubería de la unidad exterior.

Tamaños de tubería disponibles

| | A12, A18 | A24, A30, A36, A42 |
|------------------|----------|--------------------|
| Lado del líquido | ø6,35 ○ | ø9,52 ○ |
| Lado del gas | ø12,7 ○ | ø15,88 ○ |

○ : Accesorio de fábrica para acoplar la tuerca abocardada al intercambiador de calor.

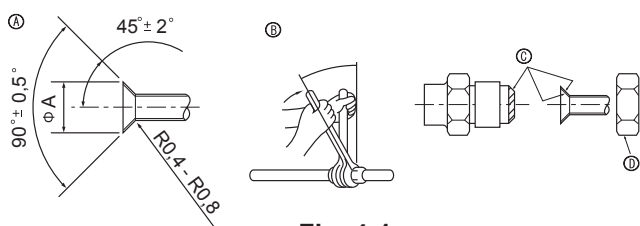


Fig. 4-1

Ⓐ Dimensiones del corte abocinado

| Tubo de cobre O.D. (mm, pulgada) | Dimensiones de abocardado dimensiones øA (mm, pulgada) |
|----------------------------------|--|
| ø6,35, 1/4 | 8,7 - 9,1, 11/32 - 23/64 |
| ø9,52, 3/8 | 12,8 - 13,2, 1/2 - 33/64 |
| ø12,7, 1/2 | 16,2 - 16,6, 41/64 - 21/32 |
| ø15,88, 5/8 | 19,3 - 19,7, 49/64 - 25/32 |
| ø19,05, 3/4 | 23,6 - 24,0, 15/16 - 61/64 |

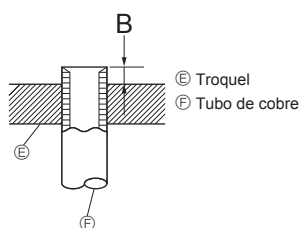


Fig. 4-2

| Tubo de cobre O.D. mm (pulgada) | B (mm, pulgada) | |
|---------------------------------|-----------------------------------|-------------|
| | Herramienta abocardada para R410A | Tipo gancho |
| ø6,35 (1/4") | 1,0 - 1,5, 3/64 - 1/16 | |
| ø9,52 (3/8") | 1,0 - 1,5, 3/64 - 1/16 | |
| ø12,7 (1/2") | 1,0 - 1,5, 3/64 - 1/16 | |
| ø15,88 (5/8") | 1,0 - 1,5, 3/64 - 1/16 | |
| ø19,05 (3/4") | 1,0 - 1,5, 3/64 - 1/16 | |

4. Instalación de los tubos del refrigerante

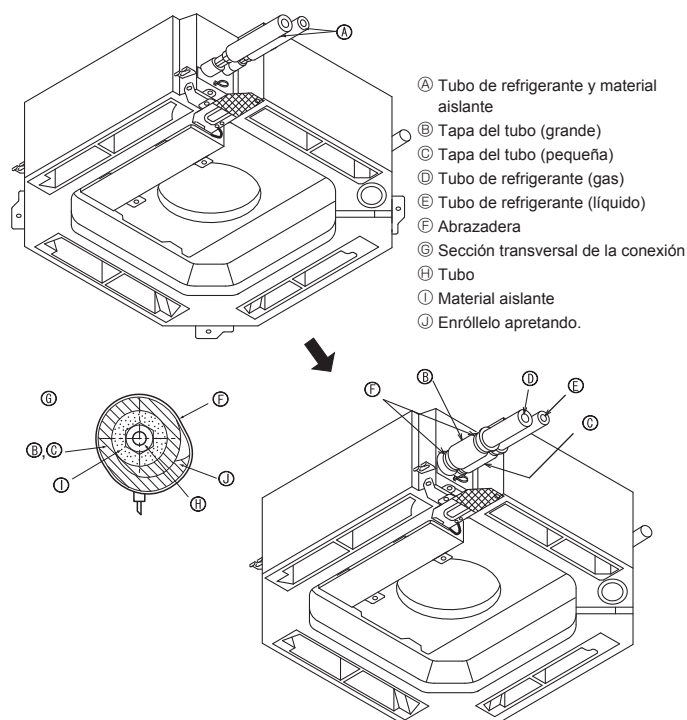


Fig. 4-3

4.3. Unidad interior (Fig. 4-3)

Aislamiento del calor para los tubos refrigerantes:

- Envuelva la cubierta adjunta del tubo de mayor tamaño alrededor del tubo de gas, asegurándose de que el extremo de la cubierta del tubo entre en contacto con el lateral de la unidad.
 - Envuelva la cubierta adjunta del tubo de menor tamaño alrededor del tubo de líquido, asegurándose de que el extremo de la cubierta del tubo entre en contacto con el lateral de la unidad.
 - Asegure ambos extremos de cada cubierta del tubo con las uniones adjuntas (coloque las uniones a 20 mm, 25/32 pulgada de los extremos de la cubierta del tubo).
- Después de haber conectado los tubos de refrigerante a la unidad interior, realice una prueba de fuga de gas de las conexiones de los tubos con gas nitrógeno. (Compruebe que no exista ninguna fuga entre los tubos de refrigerante y la unidad interior.)

4.4. Para combinaciones dobles/triples

Consulte el manual de instalación de la unidad exterior.

5. Tubería de drenaje

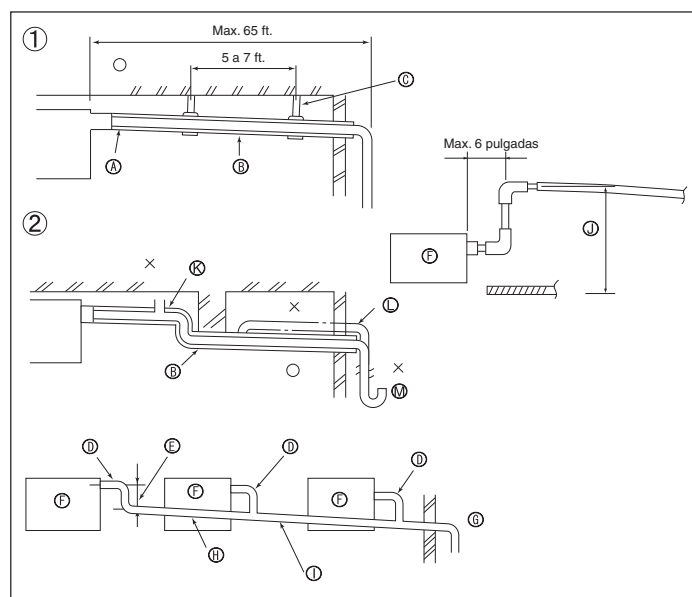


Fig. 5-1

5.1. Tubería de drenaje (Fig. 5-1)

- Utilice VP25 (O.D. ø32 mm, 1-1/4 pulgadas TUBO PVC) para el tubo de drenaje y prevea una pendiente de descenso de 1/100 o más.
- Asegúrese de conectar las juntas de los tubos con un adhesivo de tipo polivinilo.
- Observe la figura para realizar los trabajos de canalización.
- Utilice la manguera de drenaje incluida para cambiar la dirección de la extracción.

- (1) Tubería correcta (C) Metal de soporte
 (2) Tubería incorrecta (K) Expulsador de aire
 (A) Aislamiento (9 mm, 23/64 pulgada o más) (L) Elevado
 (B) Pendiente de descenso de 1/100 o más (M) Retención de olores

Agrupación de tuberías

- (D) O.D. ø32 mm, 1-1/4 pulgadas TUBO (H) Pendiente de descenso de 1/100 o más PVC
 (E) Hágalo lo más ancho posible (I) O.D. ø38 mm, 1-1/2 pulgadas TUBO PVC para agrupación de tuberías. (9 mm, 23/64 pulgada o mayor aislamiento)
 (F) Unidad interior (J) Hasta 850 mm, 33-7/16 pulgadas para la agrupación de tuberías
 (G) Haga la medida de la tubería ancha

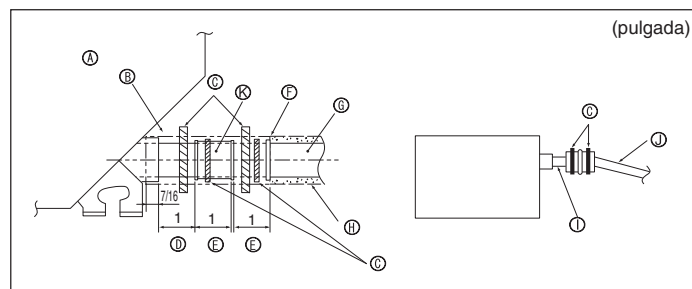


Fig. 5-2

- Conecte el tubo de desagüe (suministrado con la unidad) al orificio de desagüe. (Fig. 5-2) (Sujete el tubo con cinta aislante y asegure la conexión con una abrazadera.)
- Instale un tubo de drenaje (no incluido) (tubo de PVC, O.D. ø32 mm, 1-1/4 pulgadas). (Sujete el tubo con cinta aislante y asegure la conexión con una abrazadera.)
- Aíslate el tubo de drenaje (tubo de PVC, O.D. ø32 mm, 1-1/4 pulgadas y manguito).
- Compruebe que el líquido de drenaje circule correctamente.
- Aíslate el puerto de drenaje con material aislante y sujételo con una abrazadera. (Tanto la abrazadera como el material aislante vienen incluidos con el equipo.)

- (A) Unidad (G) Tubo de drenaje (O.D. ø32 mm, 1-1/4 pulgadas PVC TUBO)
 (B) Material aislante (H) Material aislante (comprado en su localidad)
 (C) Abrazadera (I) Tubo de PVC transparente
 (D) Puerto de drenaje (transparente) (J) O.D. ø32 mm, 1-1/4 pulgadas PVC TUBO (Inclinación mínima de 1/100)
 (E) Límite de colocación (K) Tubo de desagüe
 (F) Unión

6. Trabajo eléctrico

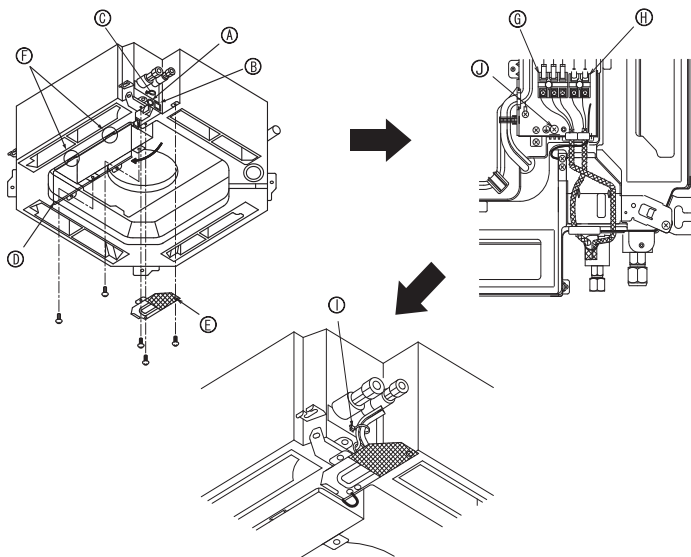


Fig. 6-1

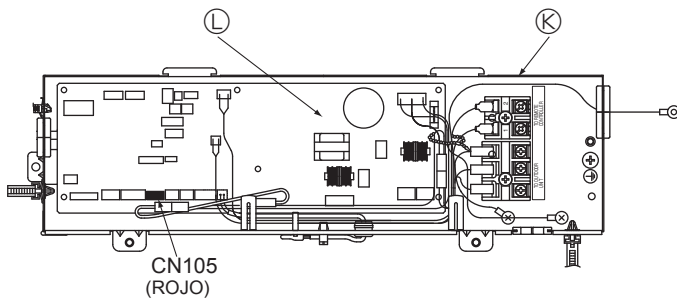


Fig. 6-2

6.1. Unidad interior (Fig. 6-1)

1. Extraiga el panel de servicio del cableado.
2. Extraiga la cubierta de la caja eléctrica.
3. Para la interfaz de radiofrecuencia.
Conecte el cable eléctrico al conector CN105 (ROJO) de la placa del controlador interior. (Fig. 6-2)
Para el controlador remoto cableado.
Conecte el cable de alimentación y el cable de control por separado mediante las entradas de cableado respectivas indicadas en el diagrama.

- No permita que se aflojen los tornillos terminales.
- Disponga el resto de cable de modo tal que la caja eléctrica quede suspendida bajo la unidad durante el servicio. (aproximadamente de 50 a 100 mm, 2 a 4 pulgadas)

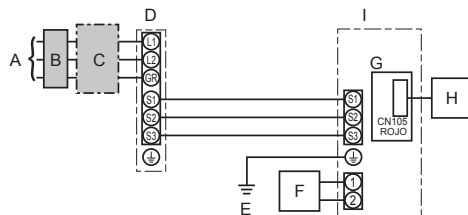
- Ⓐ Entrada para el cable de control
- Ⓑ Entrada para la fuerza
- Ⓒ Grapa
- Ⓓ Cubierta de la caja eléctrica
- Ⓔ Panel de servicio para el cableado
- Ⓕ Gancho temporal para la cubierta de la caja eléctrica
- Ⓖ Terminales de conexión de las unidades interior y exterior
- Ⓗ Conector del controlador remoto cableado
- Ⓛ Fijelo con la grapa
- Ⓚ Terminal de conexión a tierra
- Ⓝ Cuadro eléctrico
- Ⓛ Placa del controlador interior

6.1.1. Alimentación de la unidad interior suministrada por la unidad exterior

Están disponibles los siguientes patrones de conexión.

Los patrones de la fuente de alimentación de la unidad exterior varían en función del modelo.

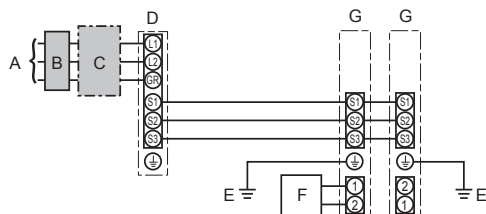
Sistema 1:1



- A Alimentación de la unidad exterior
- B Disyuntor automático de fugas a tierra
- C Disyuntor de cableado o interruptor aislante
- D Unidad exterior
- E Cables de conexión de la unidad interior/ unidad exterior
- F Controlador remoto cableado
- G Placa del controlador interior
- H Interfaz de radiofrecuencia para el termostato de radiofrecuencia
- I Unidad interior

* Coloque una de las etiquetas A incluidas con los manuales cerca de cada esquema de cableado de las unidades interiores y exterior.

Sistema doble simultáneo



Sólo para el controlador remoto cableado

- A Alimentación de la unidad exterior
- B Disyuntor automático de fugas a tierra
- C Disyuntor de cableado o interruptor aislante
- D Unidad exterior
- E Cables de conexión de la unidad interior/unidad exterior
- F Controlador remoto cableado
- G Unidad interior

* Coloque una de las etiquetas A incluidas con los manuales cerca de cada esquema de cableado de las unidades interiores y exterior.

6. Trabajo eléctrico

| | | | | |
|--|--|-------------|------------------------------------|------------------------------------|
| Modelo de la unidad interior | PLA-A12, 18, 24, 30 | PLA-A36, 42 | | |
| Amperaje mínimo del circuito | 1A | 2A | | |
| Capacidad máxima del dispositivo de protección contra sobrecorriente | 15A | 15A | | |
| Cableado: Cable n.º x tamaño (mm ²) | Unidad interior-unidad exterior | *1 | 3 x AWG16 (Polar) | 3 x AWG16 (Polar) |
| | Cable a tierra de la unidad interior y de la unidad exterior | | 1 x Min. AWG16 | 1 x Min. AWG16 |
| | Controlador remoto cableado-Unidad interior | *2 | 2 x AWG22 (no polar, sin blindaje) | 2 x AWG22 (no polar, sin blindaje) |
| Rango del circuito | Unidad interior-unidad exterior S1-S2 | *3 | AC 208/230 V | AC 208/230 V |
| | Unidad interior-unidad exterior S2-S3 | *3 | DC24 V | DC24 V |
| | Controlador remoto cableado-Unidad interior | *3 | DC12 V | DC12 V |

*1. Max. 50 m, 165 pies.

*2. El cable de 10 m (30 pies) se conecta al accesorio del controlador remoto cableado. Máx. 500 m (1500 pies).

*3. Los valores NO siempre se aplican a la toma a tierra.

El terminal S3 dispone de DC24V frente al terminal S2. Entre S3 y S1, estos terminales no están aislados eléctricamente por el transformador u otro dispositivo.

Notas: 1. El diámetro de los cables debe cumplir la normativa local y nacional.

2. Utilizar cables de alimentación de cobre.

3. Utilizar conductores con una capacidad de 300 V o superior para los cables de alimentación y los cables de conexión de la unidad interior / exterior.

4. Instale un cable de toma de tierra más largo que el resto de los cables.

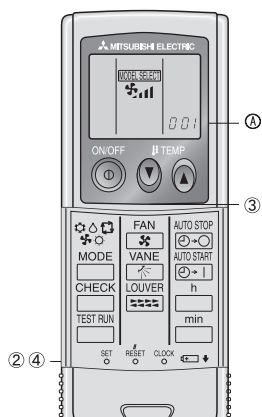


Fig. 6-3

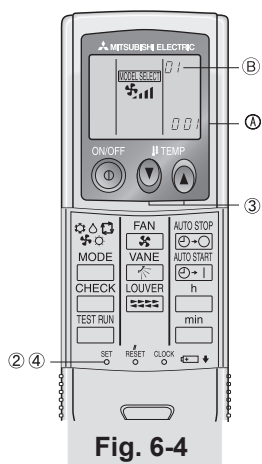


Fig. 6-4

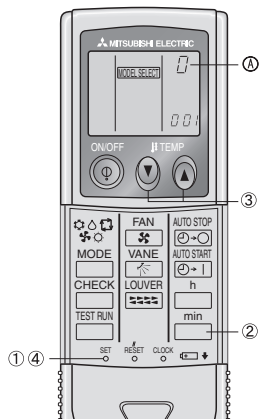


Fig. 6-5

6.2. Control remoto

6.2.1. Para el controlador remoto cableado

1) Ajuste de dos controladores remotos cableados

Si hay dos controladores remotos cableados conectados, ajuste uno como "Principal" y el otro como "Subordinado". Para conocer los procedimientos de ajuste, consulte "Selección de función" en el manual de instrucciones de la unidad interior.

6.2.2. Para el controlador remoto inalámbrico por infrarrojos

1) Preparación inicial (Fig. 6-3)

① Introduzca las pilas.

② Pulse el botón SET con algún objeto puntiagudo.

El mensaje **MODEL SELECT** parpadea y se resalta el número de modelo (Model No.).

③ Pulse el botón **0** para seleccionar el número de modelo.

Si se ha equivocado al efectuar la operación, pulse el botón ON/OFF **Ⓢ** y vuelva a empezar desde el procedimiento ②.

④ Pulse el botón SET con algún objeto puntiagudo.

Los datos **MODEL SELECT** y el número de modelo se iluminan durante tres segundos y a continuación desaparecen.

| Interior | Exterior | Ⓐ Número de modelo |
|----------|----------------------------|--------------------|
| PLA | Modelos con bomba de calor | 001 |
| | Modelos de refrigeración | 033 |

2) Ajuste automático de la velocidad del ventilador (Para el controlador remoto inalámbrico por infrarrojos) (Fig. 6-4)

El ajuste se ha de efectuar en el controlador remoto inalámbrico por infrarrojos solo cuando el ventilador no está ajustado a la velocidad predeterminada.

El ajuste no se ha de efectuar en el controlador remoto cableado cuando el ventilador está ajustado a la velocidad predeterminada.

① Pulse el botón SET con un objeto afilado.

Continúe la operación cuando se apague la pantalla del controlador remoto.

MODEL SELECT parpadea y se ilumina el n.º de modelo **Ⓐ**.

② Pulse el botón AUTO STOP **Ⓢ**.

Ⓢ parpadea y se ilumina el n.º de ajuste **Ⓑ**.

(ajuste n.º 01: sin ventilador en velocidad automática)

③ Pulse los botones TEMP **Ⓢ** **Ⓢ** para poner el n.º de ajuste 02.

(n.º ajuste 02: con ventilador en velocidad automática)

Si se ha equivocado al efectuar la operación, pulse el botón ON/OFF **Ⓢ** y vuelva a empezar desde el procedimiento ②.

④ Pulse el botón SET con un objeto afilado.

MODEL SELECT y el n.º de modelo se iluminan durante 3 segundos y a continuación se apagan.

3) Asignación de un controlador remoto inalámbrico por infrarrojos a cada unidad (Fig. 6-5)

Cada unidad responderá sólo al controlador remoto inalámbrico por infrarrojos asignado.

Cerciérese de que cada controlador remoto inalámbrico por infrarrojos tenga el mismo código que la unidad interior que debe gobernar.

4) Operación de ajuste del número de par del controlador remoto inalámbrico por infrarrojos (Fig. 6-5)

① Pulse el botón SET con algún objeto puntiagudo.

Inicie el procedimiento con la pantalla de estado del controlador remoto inalámbrico por infrarrojos detenida.

El mensaje **MODEL SELECT** parpadeará y se iluminará el número de modelo (Model No.).

② Pulse el botón **min** dos veces seguidas.

El número "0" parpadeará.

③ Pulse el botón temp **Ⓢ** **Ⓢ** para seleccionar el número del par deseado.

Si se ha equivocado al efectuar la operación, pulse el botón ON/OFF **Ⓢ** y vuelva a empezar desde el procedimiento 2.

④ Pulse el botón SET con algún objeto puntiagudo.

El número del par seleccionado se enciende durante tres segundos y luego se apaga.

| Ⓐ Número de par del controlador remoto inalámbrico por infrarrojos | Tarjeta PC interior |
|--|---------------------|
| 0 | Ajuste de fábrica |
| 1 | Cut J41 |
| 2 | Cut J42 |
| 3-9 | Cut J41, J42 |

6. Trabajo eléctrico

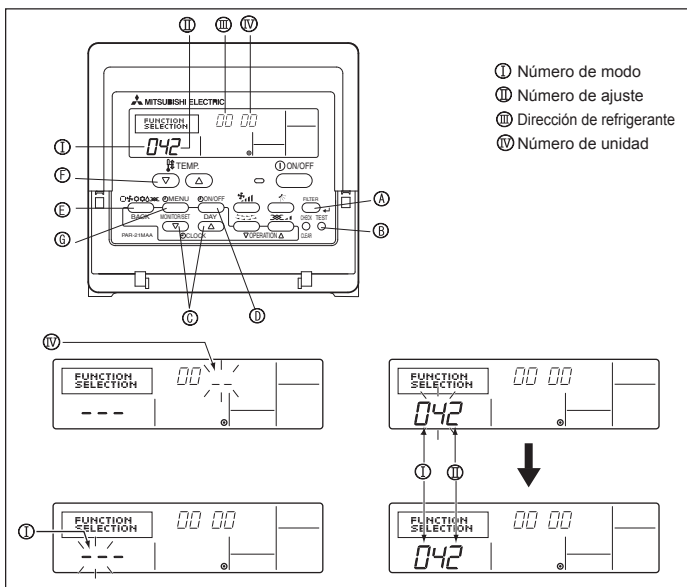


Fig. 6-6

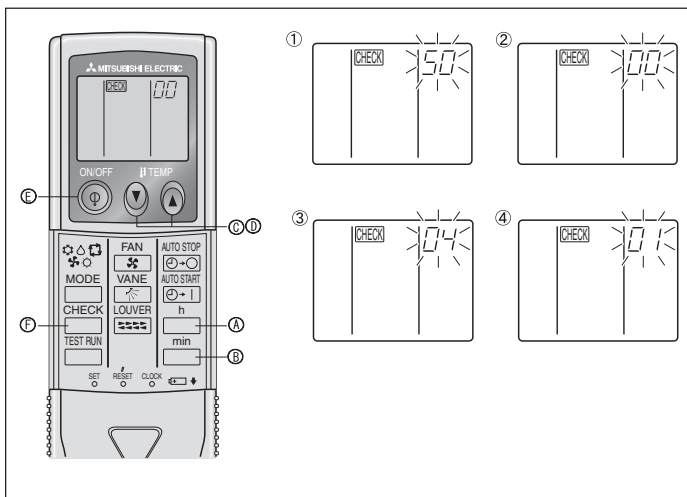


Fig. 6-7

6.3. Ajuste de funciones

6.3.1. Ajuste de funciones en la unidad (selección de funciones de la unidad)

1) Para el controlador remoto cableado (Fig. 6-6)

Cambio del ajuste de voltaje de alimentación

- Asegúrese de cambiar el ajuste de voltaje de alimentación dependiendo del voltaje utilizado.

- 1) Paso al modo de edición de funciones.
Apague el controlador remoto cableado.
Pulse los botones FILTER (A) y TEST RUN (B) simultáneamente y manténgalos apretados durante 2 segundos como mínimo. FUNCTION empieza a parpadear.
- 2) Utilice el botón (C) para ajustar la dirección de refrigerante (3) a 00.
- 3) Presione (D) y [-] comenzará a parpadear en la visualización del número de unidad (4).
- 4) Utilice el botón (C) para cambiar el número de unidad (4) a 00.
- 5) Presione el botón (E) MODE para designar la dirección de refrigerante/número de unidad. [-] parpadeará momentáneamente en la visualización del número de modo (1).
- 6) Presione los botones (F) para ajustar el número de modo (1) a 04.
- 7) Pulse el botón (G); el número de configuración de la unidad en uso (2) empezará a parpadear.
Utilice el botón (F) para modificar el número de configuración de acuerdo con la tensión eléctrica.

Tensión eléctrica

| | | |
|-------|---|-----------------------------|
| 230 V | : | número de configuración = 1 |
| 208 V | : | número de configuración = 2 |

- 8) Pulse el botón MODE (E) para que el modo y el número de configuración (1) y (2) estén continuamente activados y se pueda confirmar el contenido de la configuración.
- 9) Mantenga simultáneamente presionados los FILTER (A) y TEST RUN (B) durante dos segundos por lo menos. La pantalla de selección de funciones desaparecerá momentáneamente y aparecerá la visualización de desconexión (OFF) del acondicionador de aire.

2) Para el controlador remoto inalámbrico por infrarrojos (Fig. 6-7)

Cambio del ajuste de voltaje de alimentación

- Asegúrese de cambiar el ajuste de voltaje de alimentación de acuerdo al voltaje que utilice.

- 1) Vaya al modo de selección de función

Pulse el botón CHECK (F) dos veces seguidas.

(Inicie esta operación con la pantalla de estado del controlador remoto inalámbrico por infrarrojos apagada).

CHECK se enciende y "00" parpadea.

Pulse el botón TEMP (C) una vez para seleccionar "50". Apunte el controlador remoto inalámbrico por infrarrojos hacia el receptor de la unidad interior y pulse el botón (A).

- 2) Configuración del número de unidad

Pulse el botón TEMP (C) y (D) para seleccionar el número de unidad "00".

Apunte el controlador remoto inalámbrico por infrarrojos hacia el receptor de la

unidad interior y pulse el botón (E).

- 3) Cómo seleccionar un modo

Introduzca 04 para cambiar el ajuste de voltaje de alimentación con los botones

TEMP (C) y (D). Apunte el controlador remoto inalámbrico por infrarrojos hacia el receptor de la unidad interior y pulse el botón (A).

Número de configuración en uso: 1 = 1 pitido (un segundo)

2 = 2 pitidos (de un segundo cada uno)

3 = 3 pitidos (de un segundo cada uno)

- 4) Selección del número de ajuste

Utilice los botones TEMP (C) y (D) para cambiar el ajuste del voltaje de

alimentación a 01 (240 V). Apunte el controlador remoto inalámbrico por infrarrojos

hacia el sensor de la unidad interior y pulse el botón (A).

- 5) Para seleccionar múltiples funciones sucesivamente

Repita los pasos 3) y 4) para cambiar de manera sucesiva la configuración de funciones múltiples.

- 6) Para seleccionar la función completa

Apunte el controlador remoto inalámbrico por infrarrojos hacia el receptor de la unidad interior y pulse el botón (E).

Nota: Cada vez que se realicen cambios en los ajustes de función después de la instalación o mantenimiento, asegúrese de anotar los cambios con un cruz en la columna "Ajuste" de la tabla de funciones.

6.3.2. Ajuste de funciones en el controlador remoto

Consulte el manual de instrucciones correspondiente incluido con cada controlador.

6. Trabajo eléctrico

Tabla de funciones

Seleccione el número de unidad 00

| Modo | Ajustes | N.º de modo Controlador re- moto cableado (termostato de radiofrecuencia) | Núm. de ajuste | Configuración inicial | Ajuste |
|--|--|---|-------------------|--------------------------|--------|
| Recuperación automática de fallo de alimentación | No disponible | 01 (101) | 1 | | |
| | Disponible *1 | | 2 | ○ | |
| Detección de la temperatura de la sala | Media de funcionamiento de la unidad interior | 02 (-) | 1 | ○ | |
| | Ajustada por el control remoto de la unidad interior | | 2 | | |
| | Sensor interno del control remoto cableado | | 3 | | |
| Conectividad LOSSNAY | No soportada | 03 (103) | 1 | ○ | |
| | Soportada (la unidad interior no está equipada con entrada de aire del exterior) | | 2 | | |
| | Soportada (la unidad interior está equipada con entrada de aire del exterior) | | 3 | | |
| Voltaje de alimentación | 230 V | 04 (104) | 1 | ○ | |
| | 208 V | | 2 | | |

Seleccione los números de unidad 01 a 03 o todas las unidades (AL [controlador remoto alámbrico] / 07 [controlador remoto inalámbrico])

| Modo | Ajustes | N.º de modo Controlador re- moto cableado (termostato de radiofrecuencia) | Núm. de ajuste | Configuración inicial | Ajuste |
|--|---|---|-------------------|--------------------------|--------|
| Señalización de filtro | 100 horas | 07 (107) | 1 | | |
| | 2500 horas | | 2 | ○ | |
| | Sin indicador de señalización del filtro | | 3 | | |
| Velocidad del ventilador | Silencioso | 08 (108) | 1 | | |
| | Normal | | 2 | ○ | |
| | Techo alto | | 3 | | |
| Núm. de salidas de aire | 4 direcciones | 09 (109) | 1 | ○ | |
| | 3 direcciones | | 2 | | |
| | 2 direcciones | | 3 | | |
| Opciones instaladas (Filtro de alto rendimiento) | No soportado | 10 (110) | 1 | ○ | |
| | Soportado | | 2 | | |
| Ajuste de las aletas de movimiento vertical | Equipado con aletas (Configuración del ángulo de las paletas ③) | 11 (111) | 1 | | |
| | Equipado con aletas (Configuración del ángulo de las paletas ①) | | 2 | | |
| | Equipado con aletas (Configuración del ángulo de las paletas ②) | | 3 | ○ | |

*1 Cuando la corriente eléctrica vuelva a estar disponible, el aire acondicionado tardará 3 minutos en encenderse.

*2 El ajuste inicial de recuperación automática de fallo de alimentación depende de la unidad exterior conectada.

7. Prueba de funcionamiento

7.1. Antes de realizar las pruebas

- ▶ Después de la instalación de tubos y cables en las unidades interior y exterior, compruebe que no haya escapes de refrigerante, que no se haya aflojado ni la fuente de alimentación ni el cableado de control, que la polaridad no sea errónea y que no se haya desconectado ninguna fase de la alimentación.
- ▶ Utilice un megaohmímetro de 500 V para comprobar que la resistencia entre los bornes de alimentación y la tierra es como mínimo de 1,0 MΩ.
- ▶ No efectúe esta prueba en los bornes de los cables de control (circuito de bajo voltaje).

⚠ Atención:

No utilice el aire acondicionado si la resistencia de aislamiento es inferior a 1,0 MΩ.

7.2. Prueba de funcionamiento

- Consulte el manual de instalación suministrado con cada controlador remoto para obtener más información.

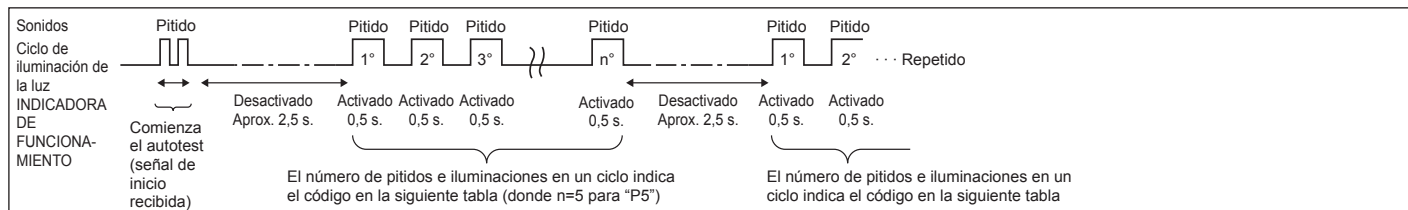
7.3. Autotest

- Consulte el manual de instalación suministrado con cada controlador remoto para obtener más información.
- El termostato de radiofrecuencia no está establecido.

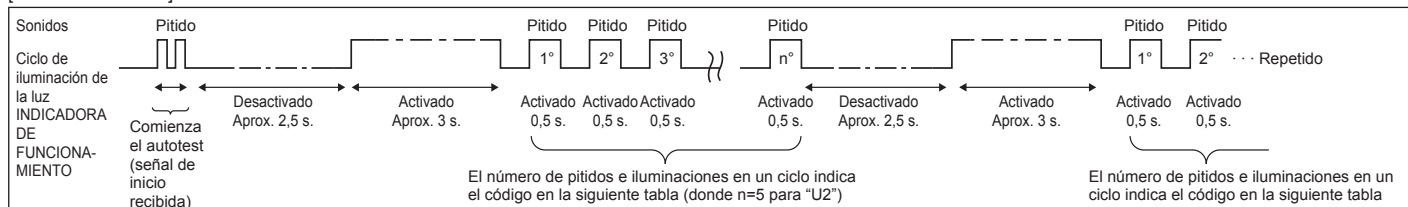
7. Prueba de funcionamiento

• Para más información sobre los códigos de comprobación, consulte las siguientes tablas. (Controlador remoto inalámbrico por infrarrojos)

[Ciclo de emisión A]



[Ciclo de emisión B]



[Ciclo de emisión A] Errores detectados por la unidad interior

| Controlador remoto inalámbrico por infrarrojos | Termostato de radiofrecuencia del controlador remoto cableado | Síntoma | Observaciones |
|---|---|---|---------------|
| Pitido/se ilumina la luz INDICADORA DE FUNCIONAMIENTO (número de veces) | Código de comprobación | | |
| 1 | P1 | Error del sensor de admisión | |
| 2 | P2 | Error del sensor del tubo (TH2) | |
| | P9 | Error del sensor del tubo (TH5) | |
| 3 | E6, E7 | Error de comunicación con unidad interior/exterior | |
| 4 | P4 | Error del sensor de drenaje/Conector del interruptor de flotador abierto | |
| 5 | P5 | Error de la bomba de drenaje | |
| | PA | Error del compresor forzado | |
| 6 | P6 | Funcionamiento de seguridad por helada/sobrecalentamiento | |
| 7 | EE | Error de comunicación entre unidades interior y exterior | |
| 8 | P8 | Error de temperatura del tubo | |
| 9 | E4 | Error de recepción de señal del controlador remoto | |
| 10 | — | — | |
| 11 | — | — | |
| 12 | Fb | Error del sistema de control de la unidad interior (error de memoria, etc.) | |
| Sin sonido | E0, E3 | Error de transmisión del controlador remoto | |
| Sin sonido | E1, E2 | Error del panel de control del controlador remoto | |
| Sin sonido | — — | No corresponde | |

[Ciclo de emisión B] Errores detectados por una unidad distinta de la unidad interior (unidad exterior, etc.)

| Controlador remoto inalámbrico por infrarrojos | Termostato de radiofrecuencia del controlador remoto cableado | Síntoma | Observaciones |
|---|---|---|--|
| Pitido/se ilumina la luz INDICADORA DE FUNCIONAMIENTO (número de veces) | Código de comprobación | | |
| 1 | E9 | Error de comunicación de la unidad interior/exterior (error de transmisión) (unidad exterior) | Para información detallada, compruebe la pantalla de LEDs del cuadro del controlador exterior. |
| 2 | UP | Interrupción del compresor por sobrecorriente | |
| 3 | U3, U4 | Apertura/corte de termistores de la unidad exterior | |
| 4 | UF | Interrupción por sobrecorriente del compresor (si el compresor está bloqueado) | |
| 5 | U2 | Temperatura de descarga anormalmente alta/49C funcionó/refrigerante insuficiente | |
| 6 | U1, Ud | Presión anormalmente alta (63H funcionó)/Funcionamiento de seguridad por sobrecalentamiento | |
| 7 | U5 | Temperatura anormal del cuerpo de refrigeración | |
| 8 | U8 | Parada de seguridad del ventilador de la unidad exterior | |
| 9 | U6 | Interrupción del compresor por sobrecorriente/Anomalía en el módulo de alimentación | |
| 10 | U7 | Anomalía de sobrecalentamiento debido a una baja temperatura de descarga | |
| 11 | U9, UH | Anomalía (tensión demasiado alta o baja, señal asíncrona anormal al circuito principal)/Error del sensor de corriente | |
| 12 | — | — | |
| 13 | — | — | |
| 14 | Otros | Otros errores (consulte el manual técnico de la unidad exterior). | |

*1 Si tras los dos pitidos iniciales que confirman la recepción de la señal de inicio del autotest no hay más pitidos y la luz INDICADORA DE FUNCIONAMIENTO no se enciende, no habrá errores registrados.

*2 Si suenan tres pitidos consecutivos "piip, piip, piip (0,4 + 0,4 + 0,4 segundos)" tras los dos pitidos iniciales que confirman la recepción de la señal de inicio del autotest, la dirección de refrigerante especificada no es correcta.

- En el controlador remoto inalámbrico por infrarrojos
Se oye un pitido continuo desde la sección receptora de la unidad interior.
La luz de funcionamiento parpadea
- Controlador remoto cableado
Compruebe el código que aparece en la LCD.

7. Prueba de funcionamiento

- Si no se puede activar la unidad adecuadamente después de haberse llevado a cabo la ejecución de prueba, consulte la tabla siguiente para suprimir la causa.

| Síntoma | | Causa |
|---|---|---|
| Controlador remoto cableado | | LED 1, 2 (tarjeta de circuito impreso en unidad exterior) |
| PLEASE WAIT | Durante aproximadamente 2 minutos después del encendido. | Se iluminan los LED 1 y 2 y, a continuación, el LED 2 se apaga y sólo queda encendido el LED 1. (Funcionamiento correcto) |
| PLEASE WAIT → Código de error | Aproximadamente 2 minutos después de haber finalizado el encendido. | Sólo se ilumina el LED 1. → Los LED 1 y 2 parpadean. |
| NO aparecen mensajes en pantalla aunque se active el interruptor de funcionamiento (la luz de funcionamiento no se enciende). | | Sólo se ilumina LED 1. → El LED 1 parpadea dos veces y el LED 2 una. |

Si se cumple la condición anterior, en el controlador remoto inalámbrico por infrarrojos se producen las siguientes situaciones.

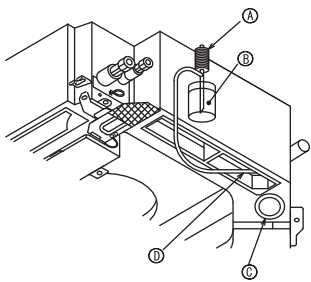
- No se acepta ninguna señal procedente del controlador remoto.
- La luz FUNCIONAMIENTO parpadea.
- Se emite un pitido breve.

Nota:

No se puede utilizar durante aproximadamente 30 segundos después de cancelar la selección de funciones. (Funcionamiento correcto)

Para la descripción de cada uno de los LED (LED 1, 2, 3) de los controladores interiores, consulte la tabla siguiente.

| | |
|--|--|
| LED1 (alimentación para microordenador) | Indica si se suministra alimentación de control. Asegúrese de que este LED esté siempre encendido. |
| LED2 (alimentación para controlador remoto) | Indica si se suministra alimentación al controlador remoto. Este LED se enciende únicamente en caso de una unidad interior conectada a la dirección de refrigerante "0" de la unidad exterior. |
| LED3 (comunicación entre unidades interior y exterior) | Indica el estado de comunicación entre las unidades interior y exterior. Asegúrese de que este LED esté siempre parpadeando. |



- Ⓐ Bomba de alimentación de agua
 - Ⓑ Agua (aprox. 1000cc, 1/4 gal.)
 - Ⓒ Tapón de drenaje
 - Ⓓ Vaciar agua por la salida
- Tenga cuidado de que no caiga agua en el mecanismo de la bomba de drenaje.

7.4. Comprobación del drenaje (Fig. 7-5)

- Compruebe que el agua se drena correctamente y que no hay fugas en las juntas.

Si el trabajo eléctrico está terminado.

- Vacíe agua durante el funcionamiento de refrigeración y efectúe la comprobación.

Si el trabajo eléctrico no está terminado.

- Vacíe agua durante el funcionamiento de emergencia y efectúe la comprobación.
- * El depósito de drenaje y el ventilador se activan simultáneamente al conectar la tensión monofásica 220 – 240 V en S1 y S2 del bloque de terminales después de conectar (ON) el conector (SWE) del cuadro del controlador que hay en la caja de derivación eléctrica.

Asegúrese de devolverlo a su posición original al finalizar el trabajo.

8. Sistema de control

Consulte el manual de instalación de la unidad exterior.

9. Instalación de la rejilla

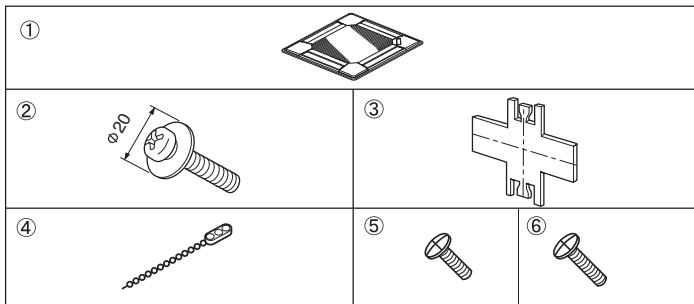


Fig. 9-1

(pulgada)

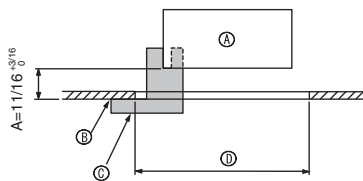


Fig. 9-2

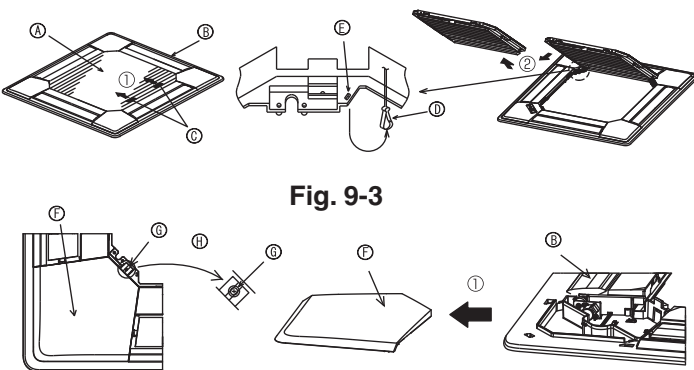


Fig. 9-3

Fig. 9-4

| | 4 direcciones | 3 direcciones |
|---|---|---|
| Patrones de la dirección de circulación | Un patrón: Ajuste de fábrica | 4 patrones: Una salida de aire completamente cerrada |
| Patrones de la dirección de circulación | 2 direcciones | |
| | 6 patrones: Dos salidas de aire completamente cerradas | |

Table 1

(pulgada)

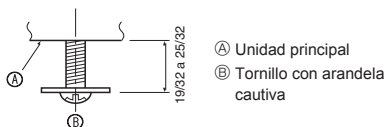


Fig. 9-5

9.1. Comprobación de los contenidos (Fig. 9-1)

- Este equipo contiene este manual y las siguientes piezas.

| | Nombre accesorio | Cantidad | Forma |
|---|-------------------------------|----------|--|
| ① | Dimensiones de la rejilla | 1 | 950 × 950 (mm), 37-3/8 × 37-3/8 pulgadas |
| ② | Tornillo con arandela cautiva | 4 | M5 × 0,8 × 25 |
| ③ | Plantilla | 1 | (Dividido en cuatro partes) |
| ④ | Remache | 3 | |
| ⑤ | Tornillo | 4 | 4 × 8 |
| ⑥ | Tornillo | 1 | 4 × 12 |

9.2. Preparación para conectar la rejilla (Fig. 9-2)

- Con la plantilla ③ que se suministra con este equipo, ajuste y compruebe la posición de la unidad en el techo. Si la unidad no está colocada en el techo de forma adecuada, podrían producirse escapes de aire o generarse una condensación.
- Asegúrese de que la abertura del techo está dentro de los siguientes límites: 860 × 860 - 910 × 910 mm, 33-7/8 × 33-7/8 a 35-13/16 × 35-13/16 pulgadas
- Asegúrese de que el paso A se realiza en 17-22, 11/16-7/8 pulgadas mm. Si no se respeta este margen, podrían producirse graves daños.

- Ⓐ Unidad principal
- Ⓑ Techo
- Ⓒ Plantilla ③ (medida en la unidad)
- Ⓓ Dimensiones de apertura del techo

9.2.1. Extracción de la rejilla de admisión (Fig. 9-3)

- Deslice las palancas en la dirección indicada mediante la flecha ① para abrir la rejilla de admisión.
- Quite el gancho que fija la rejilla.
 - * No quite el gancho de la rejilla de admisión.
- Con la rejilla de admisión en posición "abierta", extraiga la bisagra de la rejilla de admisión de la rejilla tal y como se indica mediante la flecha ②.

9.2.2. Extracción del panel angular (Fig. 9-4)

- Extraiga el tornillo de la esquina del panel angular. Deslice los paneles angulares indicados por la flecha ① para extraer este panel.

[Fig.9-3] [Fig.9-4]

- Ⓐ Rejilla de admisión
- Ⓑ Rejilla
- Ⓒ Palancas de la rejilla de admisión
- Ⓓ Gancho de la rejilla
- Ⓔ Orificio para el gancho de la rejilla
- Ⓕ Panel angular
- Ⓖ Tornillo
- Ⓗ Detalle

9.3. Selección de las salidas de aire

Para esta rejilla, la dirección de expulsión puede seleccionarse entre 11 modalidades. También es posible, estableciendo los ajustes adecuados en el controlador remoto cableado, ajustar el flujo de aire y la velocidad. Seleccione los valores adecuados en la tabla de acuerdo con el lugar en que vaya a instalar la unidad.

- Elija una modalidad de expulsión.
- Asegúrese de establecer los valores adecuados en el controlador remoto cableado de acuerdo con el número de salidas de aire y la altura del techo donde se ha instalado la unidad.

Nota:

Para los esquemas de evacuación de aire de 3 y 2 direcciones, utilice la placa de cierre de la salida de aire (opcional).

9.4. Instalación de la rejilla

9.4.1. Preparación (Fig. 9-5)

- Instale los dos tornillos con arandelas adjuntos ② en la unidad principal (en el área del tubo de drenaje de uno de los extremos y en el extremo opuesto) tal y como se indica en el diagrama.

9. Instalación de la rejilla

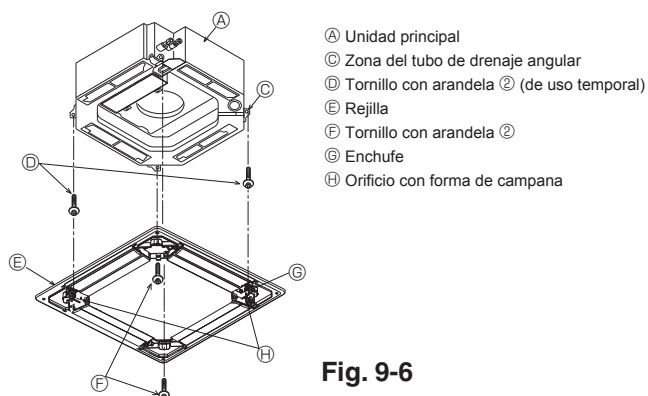


Fig. 9-6

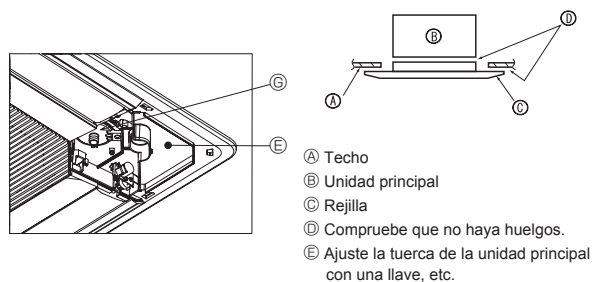


Fig. 9-7

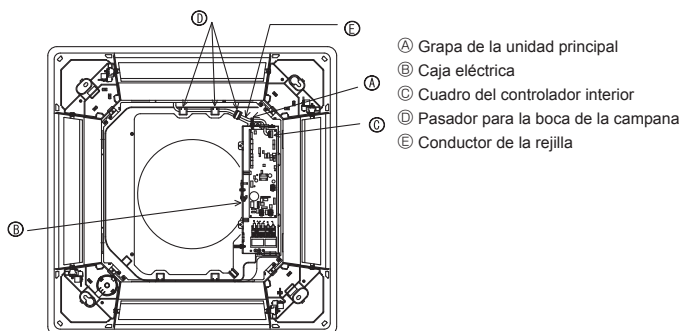


Fig. 9-8

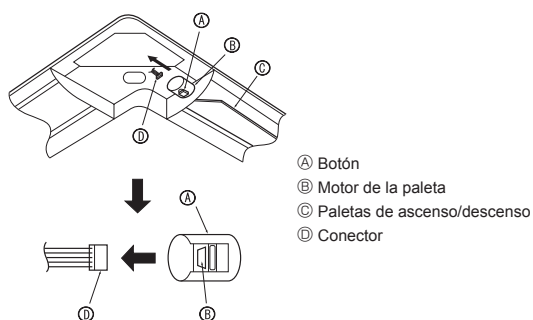


Fig. 9-9

9.4.2. Instalación temporal de la rejilla (Fig. 9-6)

- Asegure la rejilla de forma temporal con los orificios en forma de campana; para ello coloque el enchufe de la rejilla (G) en la esquina del tubo de drenaje de la unidad principal.
 - * Compruebe que el cableado de la rejilla no quede enganchado entre la rejilla y la unidad principal.

9.4.3. Fijación de la rejilla (Fig. 9-7)

- Fije la rejilla a la unidad principal apretando los dos tornillos previamente instalados (con arandelas cautivas) así como los dos tornillos restantes (con arandelas cautivas).
 - * Compruebe que no haya huecos entre la unidad principal y la rejilla o entre la rejilla y el techo.

Corrección de huecos entre la rejilla y el techo

Con la rejilla colocada, ajuste la altura de la unidad principal para corregir el hueco.

⚠ Cuidado:

Cuando apriete el tornillo con arandela cautiva ②, hágalo con un par de apriete de 4,8 N·m (3,5 ft·lbs) o menos. No utilice nunca un atornillador por percusión.

- Ello podría provocar daños en las piezas.

9.4.4. Conexión de cables (Fig. 9-8)

- Extraiga los 2 tornillos que sujetan la cubierta de la caja de derivación eléctrica de la unidad y ábrala.
- Cerchiórese de que conecta el conector (blanco, 20 polos) del motor de las paletas de la rejilla al conector CNV del cuadro del controlador de la unidad.
- En relación al PLP-42BALM, el conector del cable del sensor inalámbrico también se conecta al conector CN90 del cuadro del controlador interior. El conductor de la rejilla pasa sin problemas por el pasador de la boca de la campana. El resto del cable se sujeta con la abrazadera de la unidad y la cubierta de la unidad se vuelve a montar con los 2 tornillos.

Nota:

No coloque el resto del cable en la caja de derivación eléctrica de la unidad.

9.5. Bloqueo de la dirección del flujo de aire de ascenso/descenso (Fig. 9-9)

Puede ajustar y bloquear las paletas de la unidad con orientación de ascenso o descenso dependiendo de las condiciones ambientales de uso.

- Ajústelas de acuerdo con las preferencias del cliente.
 - Mediante el controlador remoto cableado no se pueden manejar los deflectores de arriba/abajo ni todos los controles automáticos. Asimismo, la dirección real de los deflectores puede variar con respecto a la posición indicada en el controlador remoto cableado.
- ① Apague el interruptor principal.
 - Pueden producirse daños o descargas eléctricas mientras gire el ventilador de la unidad.
- ② Desconecte el conector del motor de paleta del ventilador que desee bloquear. (Mientras presiona el botón, extraiga el conector en la dirección indicada por la flecha tal y como se indica en el diagrama.) Después de extraer el conector, aislo con cinta aislante.

También puede ajustarse con el controlador remoto cableado. Consulte el manual de instrucciones.

9.6. Comprobación

- Asegúrese de que no hay ningún hueco entre la unidad y la rejilla, ni entre la rejilla y la superficie del techo. Si hubiese alguno, podrían formarse gotas de condensación.
- Asegúrese de que los cables han quedado firmemente conectados.

9. Instalación de la rejilla

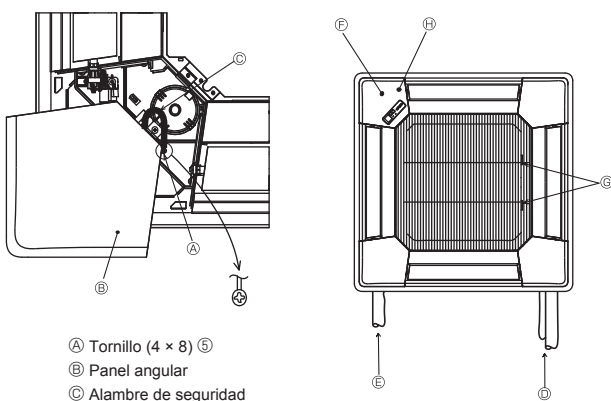


Fig. 9-10

9.7. Instalación de la rejilla de admisión (Fig. 9-10)

Nota:

Cuando vuelva a instalar los paneles angulares (con un alambre de seguridad colocado en cada uno), conecte el otro extremo del alambre de seguridad a la rejilla utilizando el tornillo (4 piezas, 4 x 8) tal y como se indica en la ilustración.

* Si los paneles angulares no están colocados, pueden caerse cuando el equipo esté funcionando.

• Invierta el procedimiento descrito en el apartado "9.2. Preparación para conectar la rejilla" para instalar la rejilla de admisión y el panel angular.

• Puede instalar múltiples unidades con la rejilla de forma que la posición del logotipo de cada panel angular sea consistente con el resto de las unidades independientemente de la orientación de la rejilla de admisión. Alinee el logotipo en el panel de acuerdo con las peticiones del cliente tal y como se indica en el diagrama de la izquierda. (La posición del techo puede modificarse.)

Ⓓ Tubería de refrigeración de la unidad principal

Ⓔ Tubería de drenaje de la unidad principal

Ⓕ Posición del panel angular cuando es enviado de fábrica (con el logotipo colocado).

* Aislamiento en cualquier posición, en caso de que sea posible.

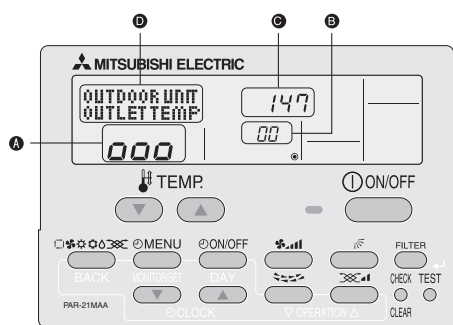
Ⓖ Posición de las palancas de la rejilla de admisión cuando es enviada de fábrica.

* Aunque puede instalar los clips en cualquiera de las cuatro posiciones, la configuración que aparece es la configuración recomendada. (No es necesario extraer la rejilla de admisión cuando realice el mantenimiento en la caja de los componentes eléctricos de la unidad principal.)

Ⓖ Receptor (Sólo PAR-SA9FA-E)

10. Función de mantenimiento fácil (aplicación PUZ-A/PUY-A solamente)

Ejemplo de visualización (temperatura de descarga del compresor 147 °F)



■ Sólo para el controlador remoto cableado.

Al utilizar el modo de mantenimiento, puede visualizar distintos tipos de datos de mantenimiento en el controlador remoto cableado, como la temperatura del intercambiador de calor y el consumo de corriente del compresor para las unidades interiores y exterior.

Esta función se puede utilizar independientemente de si el aire acondicionado está funcionando o no.

Durante el funcionamiento del aire acondicionado, los datos se pueden comprobar durante el funcionamiento normal o durante el funcionamiento estable del modo de mantenimiento.

* Esta función no se puede utilizar durante la prueba de funcionamiento.

* La disponibilidad de esta función dependerá de si la unidad exterior está conectada. Consulte los folletos.

Procedimientos de manejo del modo de mantenimiento

(1) Pulse el botón **TEST** durante 3 segundos para activar el modo de mantenimiento. Pantalla **MAINTENANCE**

(2) Pulse los botones **TEMP.** (temperatura) **▼** **▲** para ajustar la dirección del refrigerante. Pantalla **00 ↔ 01 15**

(3) Seleccione los datos que desee visualizar.

| | | | | | | |
|-----------------------------|---|--|---|---|---|-------------------------------------|
| Datos del compresor | → | Tiempo de funcionamiento acumulado | → | Número ON/OFF | → | Corriente de funcionamiento |
| MENU | | Pantalla COMP ON x10 HOURS | | COMP ON x100 TIMES | | COMP ON CURRENT (A) |
| Datos de la unidad exterior | → | Temperatura del intercambiador de calor | → | Temperatura de descarga del compresor | → | Temperatura ambiente exterior |
| ON/OFF | | Pantalla OUTDOOR UNIT H*EXC. TEMP | | OUTDOOR UNIT OUTLET TEMP | | OUTDOOR UNIT OUTDOOR TEMP |
| Datos de la unidad interior | → | Temperatura ambiente interior | → | Temperatura del intercambiador de calor | → | Tiempo de funcionamiento del filtro |
| FILTER | | Pantalla INDOOR UNIT INLET TEMP | | INDOOR UNIT H*EXC. TEMP | | INDOOR UNIT FILTER USE H |

* El tiempo de funcionamiento del filtro que se muestra es el número de horas que se ha utilizado el filtro desde que se restableció por última vez.

(4) Pulse el botón **FILTER**.

(5) Los datos aparecen en **Ⓒ**. (Ejemplo de visualización de temperatura del flujo de aire)

Pantalla **Intermitente** **Esperando respuesta** **Aprox. 10 seg.** **147°F**

* Repita del paso (2) al (5) para comprobar otra fecha.

(6) Pulse el botón **TEST** durante 3 segundos o pulse el botón **ON/OFF** para desactivar el modo de mantenimiento.

Funcionamiento estable

El modo de mantenimiento permite fijar la frecuencia de funcionamiento y estabilizar así el funcionamiento. Si se detiene el aire acondicionado, siga este procedimiento para que comience a funcionar.

Pulse el botón **MODE** para elegir el modo de funcionamiento.

Funcionamiento de refrigeración estable → Funcionamiento de calefacción estable → Cancelación de operación estable

Pantalla **COOL STABLE MODE** → **HEAT STABLE MODE** → **STABLE MODE CANCEL**

Pulse el botón **FILTER**.

Esperando funcionamiento estable → Funcionamiento estable

Pantalla **0** → **00** → **000** (10-20 min.)

* Puede comprobar los datos siguiendo del paso (3) al (5) de los procedimientos de manejo del modo de mantenimiento para el funcionamiento estable.

This product is designed and intended for use in the residential,
commercial and light-industrial environment.

Please be sure to put the contact address/telephone number on
this manual before handing it to the customer.

MITSUBISHI ELECTRIC CORPORATION

HEAD OFFICE: TOKYO BLDG., 2-7-3, MARUNOUCHI, CHIYODA-KU, TOKYO 100-8310, JAPAN