

SPLIT-TYPE, HEAT PUMP AIR CONDITIONERS

Changes for the Better

April 2012

No. OCB515

# PARTS CATALOG

**CITY MULTI Series**

**Wall Mounted**

**R410A**

**/ R22**

Indoor unit  
[Model names]

[Service Ref.]

PKFY-P08NHMU-E2

**PKFY-P08NHMU-E2**

PKFY-P12NHMU-E2

**PKFY-P12NHMU-E2**

PKFY-P15NHMU-E2

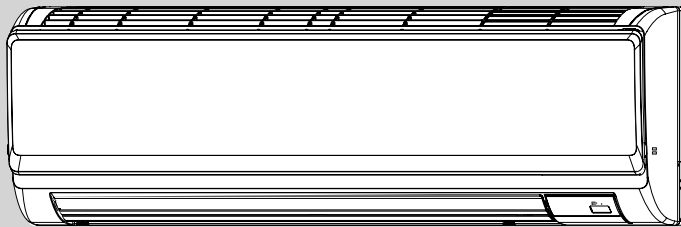
**PKFY-P15NHMU-E2**

PKFY-P18NHMU-E2

**PKFY-P18NHMU-E2**

Note:

- RoHS compliant products have <G> mark on the spec name plate.



INDOOR UNIT

## CONTENTS

1. RoHS PARTS LIST ..... 2
2. OPTIONAL PARTS..... Back cover

**SERVICE MANUAL (OCH515)**



# CITY MULTI

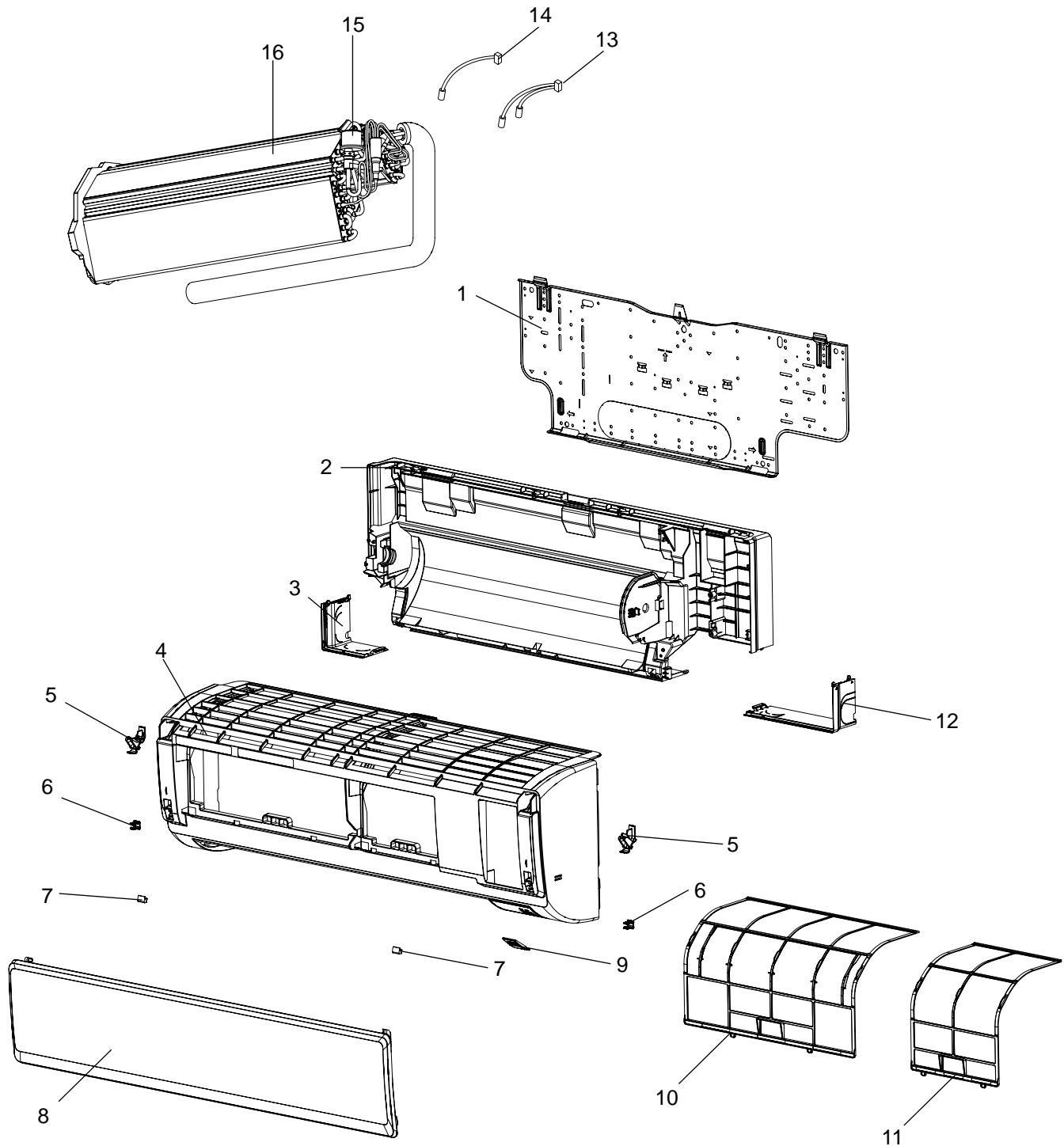
## PANEL AND HEAT EXCHANGER PARTS

PKFY-P08NHMU-E2

PKFY-P12NHMU-E2

PKFY-P15NHMU-E2

PKFY-P18NHMU-E2



# RoHS PARTS LIST

No.	RoHS	Part No.	Part Name	Specification	Q'ty/set				Remarks (Drawing No.)	Wiring Diagram Symbol	Recom- mended Q'ty
					PKFY-P-NHMu-E2						
					08	12	15	18			
1	G	R01 E08 808	BACK PLATE		1	1	1	1			
2	G	R01 E02 635	BOX ASSY		1	1	1	1			
3	G	R01 E30 658	CORNER BOX (L)		1	1	1	1			
4	G	R01 E15 651	FRONT PANEL		1	1	1	1			
5	G	R01 E14 054	HOLDER (R.L)		1	1	1	1	L/R set		
6	G	R01 E15 054	CATCH		1	1	1	1	2pcs/set		
7	G	R01 E05 096	SCREW CAP		1	1	1	1	2pcs/set		
8	G	R01 E58 691	GRILLE		1	1	1	1			
9	G	R01 E31 658	RECEIVER COVER		1	1	1	1			
10	G	R01 E27 500	FILTER (L)		1	1	1	1			
11	G	R01 E28 500	FILTER (R)		1	1	1	1			
12	G	R01 E29 658	CORNER BOX (R)		1	1	1	1			
13	G	R01 N17 202	THERMISTOR		1	1	1	1		TH22/23	
14	G	R01 H07 202	THERMISTOR		1	1	1	1		TH24	
15	G	R01 H28 401	EXPANSION VALVE		1	1	1	1		LEV	
16	G	T7W K37 480	HEAT EXCHANGER		1	1	1				
	G	T7W K38 480	HEAT EXCHANGER					1			

# RoHS PARTS LIST

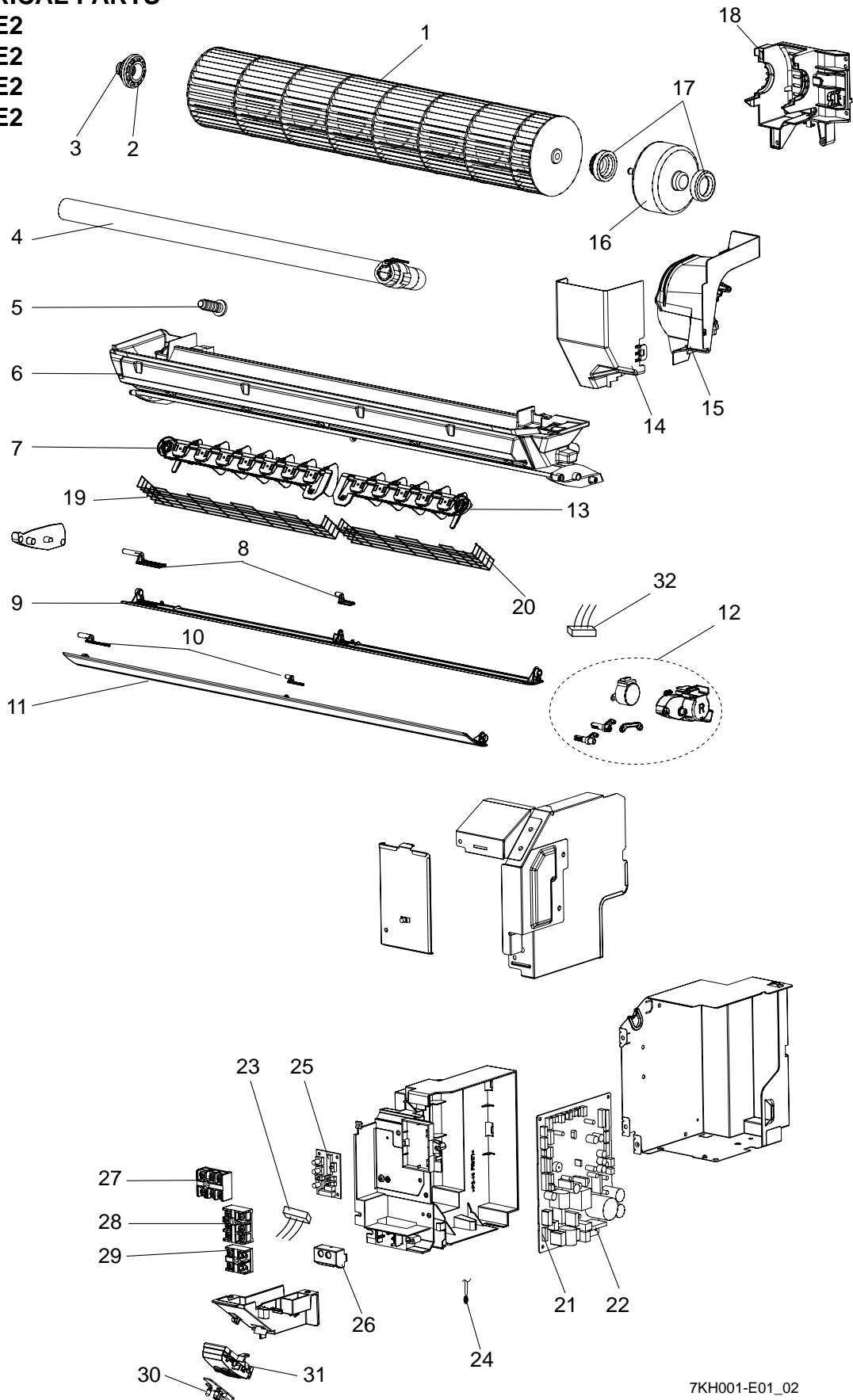
## FAN AND ELECTRICAL PARTS

PKFY-P08NHMU-E2

PKFY-P12NHMU-E2

PKFY-P15NHMU-E2

PKFY-P18NHMU-E2



# RoHS PARTS LIST

Part numbers that are circled are not shown in the illustration.

No.	RoHS	Part No.	Part Name	Specification	Q'ty/set				Remarks (Drawing No.)	Wiring Diagram Symbol	Recom- mended Q'ty
					PKFY-P-NHMU-E2						
					08	12	15	18			
1	G	R01 E42 114	LINEFLOW FAN		1	1	1	1			
2	G	R01 E04 103	SLEEVE BEARING		1	1	1	1			
3	G	R01 E01 102	BEARING MOUNT		1	1	1	1			
4	G	R01 E09 527	DRAIN HOSE		1	1	1	1			
5	G	R01 E03 524	DRAIN CAP		1	1	1	1			
6	G	R01 E01 530	NOZZLE ASSY		1	1	1	1	with GUIDE VANE ASSY (L&R)		
7	G	R01 E07 038	GUIDE VANE ASSY-L		1	1	1	1			
8	G	R01 E06 063	VANE SHAFT-UC		1	1	1	1	2pcs/set		
9	G	R01 E32 002	AUTO VANE-U		1	1	1	1			
10	G	R01 E05 063	VANE SHAFT-TC		1	1	1	1	2pcs/set		
11	G	R01 E31 002	AUTO VANE-T		1	1	1	1			
12	G	R01 E27 223	VANE MOTOR		1	1	1	1		MV	
13	G	R01 E06 038	GUIDE VANE ASSY-R		1	1	1	1			
14	G	R01 E00 031	WATER COVER		1	1	1	1			
15	G	R01 E03 126	MOTOR BAND		1	1	1	1			
16	G	R01 E51 220	FAN MOTOR		1	1	1	1	with RUBBER MOUNT	MF	
17	G	R01 E18 105	RUBBER MOUNT		1	1	1	1	2pcs/set		
18	G	R01 E44 130	MOTOR BED		1	1	1	1			
19	G	T7W E19 675	FAN GUARD-L		1	1	1	1			
20	G	T7W E18 675	FAN GUARD-R		1	1	1	1			
21	G	R01 E15 239	FUSE	3.15A 250V	1	1	1	1		FUSE	
22	G	T7W C01 310	CONTROLLER BOARD		1	1	1	1		I.B, S.B	
23	G	R01 E13 304	CABLE ASSY (ADDRESS)		1	1	1	1			
24	G	R01 N20 202	THERMISTOR		1	1	1	1	with tube & band	TH21	
25	G	T7W E01 294	ADDRESS BOARD		1	1	1	1		A.B	
26	G	R01 E01 031	SWITCH BOARD COVER		1	1	1	1			
27	G	T7W E52 716	TERMINAL BLOCK	3P(L1,L2,GR)	1	1	1	1		TB2	
28	G	T7W E53 716	TERMINAL BLOCK	3P(M1,M2,S)	1	1	1	1		TB5	
29	G	R01 E48 246	TERMINAL BLOCK	2P(1, 2)	1	1	1	1		TB15	
30	G	R01 E10 317	RECEIVER ASSY		1	1	1	1		W.B	
31	G	R01 E01 094	DISPLAY HOLDER		1	1	1	1			
32	G	R01 E12 304	CABLE (VANE MOTOR)		1	1	1	1			

**2****OPTIONAL PARTS****2-1. WIRELESS REMOTE CONTROLLER**

Part No.	PAR-FL32MA
----------	------------

**2-2. WIRED REMOTE CONTROLLER (MA REMOTE CONTROLLER)**

Part No.	PAR-21MAA
----------	-----------

**2-3. WIRED REMOTE CONTROLLER (ME REMOTE CONTROLLER)**

Part No.	PAR-F27MEA
----------	------------

**2-4. EXTERNAL HEATER ADAPTER**

Part No.	PAC-YU25HT
----------	------------

**mitsubishi electric corporation**

HEAD OFFICE : TOKYO BLDG., 2-7-3, MARUNOUCHI, CHIYODA-KU TOKYO 100-8310, JAPAN