

SERVICE PARTS LIST FOR MITSUBISHI ELECTRIC PACKAGED AIR-CONDITIONERS

Series : PEAD-A•AA4

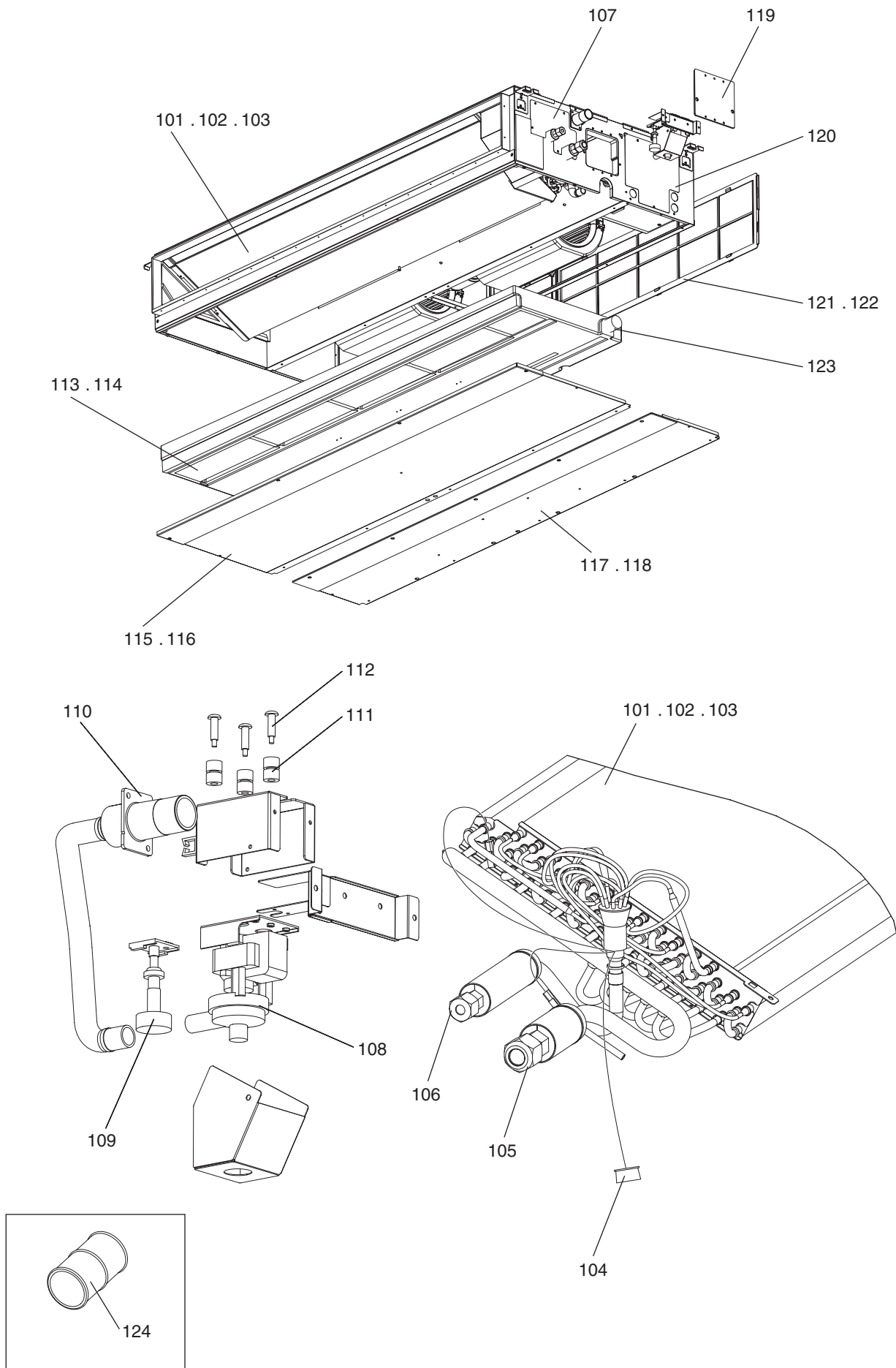
Oct. 2010

BWE10130

INDEX
PEAD-A24AA4
PEAD-A30AA4
PEAD-A36AA4
PEAD-A42AA4

PEAD-A24,A30AA4
PEAD-A36,A42AA4

EXTERNAL PARTS



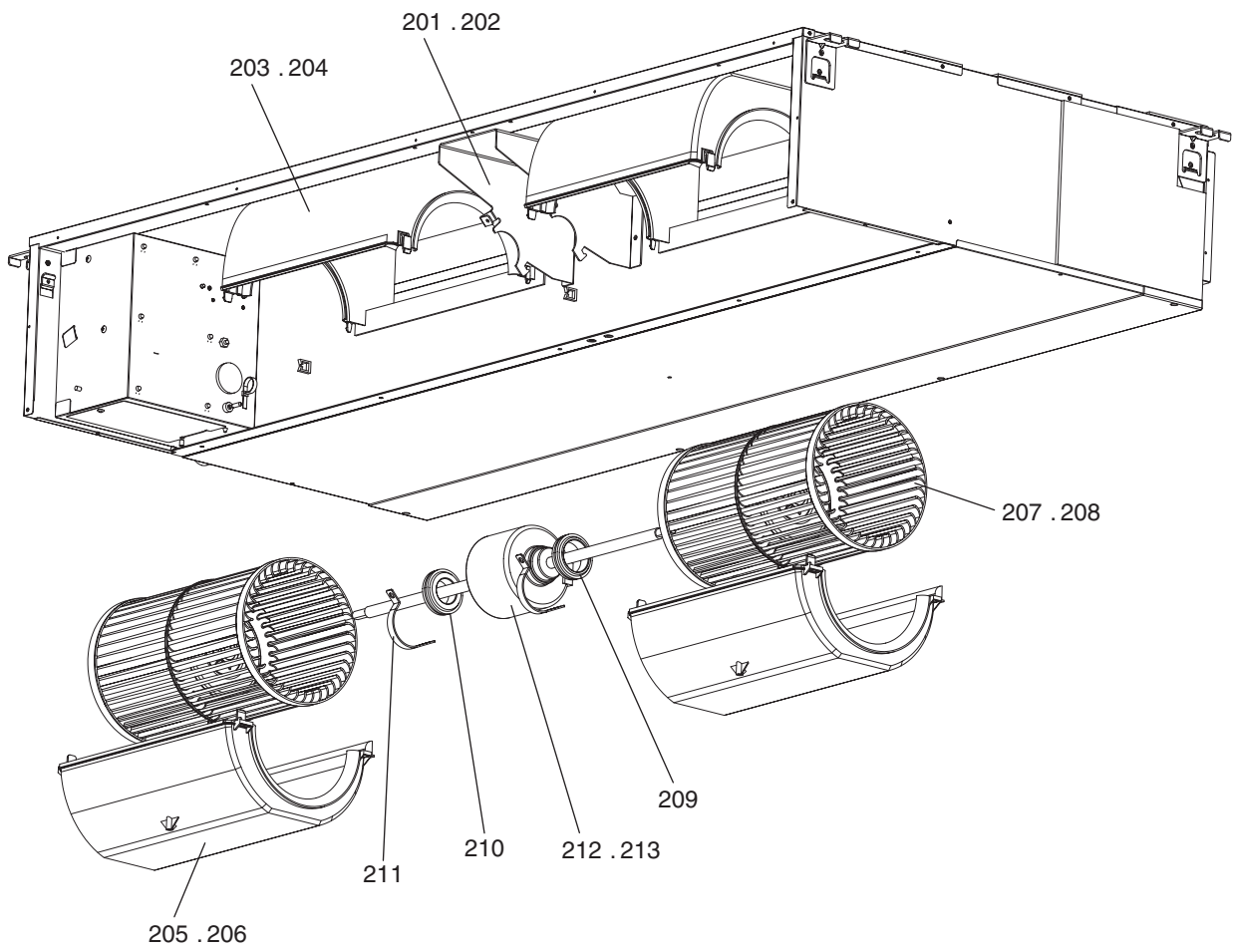
PEAD-A24,A30AA4
 PEAD-A36,A42AA4

EXTERNAL PARTS

No.	Part No.	G : RoHS Apply Only W : RoHS Apply by Running Change		Spec.	PEAD-A24AA4	PEAD-A30AA4	PEAD-A36AA4	PEAD-A42AA4	Dwg. No.	Notes for the models	Revision info.
			Part Name								
101	R61 335 480	G	Heat exchanger		1	1			KB00A211G09		
102	R61 337 480	G	Heat exchanger				1		KB00A211G10		
103	R61 344 480	G	Heat exchanger					1	KB00A212G05		
104	R61 100 200	G	Thermistor		1	1	1	1	KB71B945H03		
105	R63 8G1 122	G	Nut flare	5/8	1	1	1	1	KB21S919H01		
106	R63 8G0 122	G	Nut flare	3/8	1	1	1	1	KB21S917H01		
107	R61 066 690	G	Cover pipe assy		1	1	1	1	KB00M203G01		
108	R61 011 539	G	Pump	PLD	1	1	1	1	KB56B953H03		
109	R61 012 541	G	Float switch		1	1	1	1	KB68J550H01		
110	R61 004 218	G	Socket assy		1	1	1	1	KB00R308G04		
111	R61 018 104	G	Cushion		3	3	3	3	DB26F013L01		
112	R61 002 019	G	Screw special	M4×6	3	3	3	3	Y112J017H05		
113	R61 058 529	G	Drain pan assy	P24	1	1			KB00T352G13		
114	R61 059 529	G	Drain pan assy	P36			1	1	KB00T352G14		
115	R61 132 651	G	Panel assy UD1	P63	1	1			KB00R305G03		
116	R61 133 651	G	Panel assy UD1	P100			1	1	KB00R305G11		
117	R61 137 651	G	Panel assy UD2	P63	1	1			KB00R306G13		
118	R61 138 651	G	Panel assy UD2	P100			1	1	KB00R306G14		
119	R61 067 690	G	Cover assy		1	1	1	1	KB00M197G05		
120	R61 068 690	G	Cover box assy		1	1	1	1	KB00T337G01		
121	R61 011 500	G	Filter	550	2	2			KB35B880G01		
122	R61 012 500	G	Filter	700			2	2	KB35B882G01		
123	R61 E96 558	G	Plug	RUBBER	2	2	2	2	P312040X01		
124	R61 005 218	G	Socket		1	1	1	1	BB25D449H01		

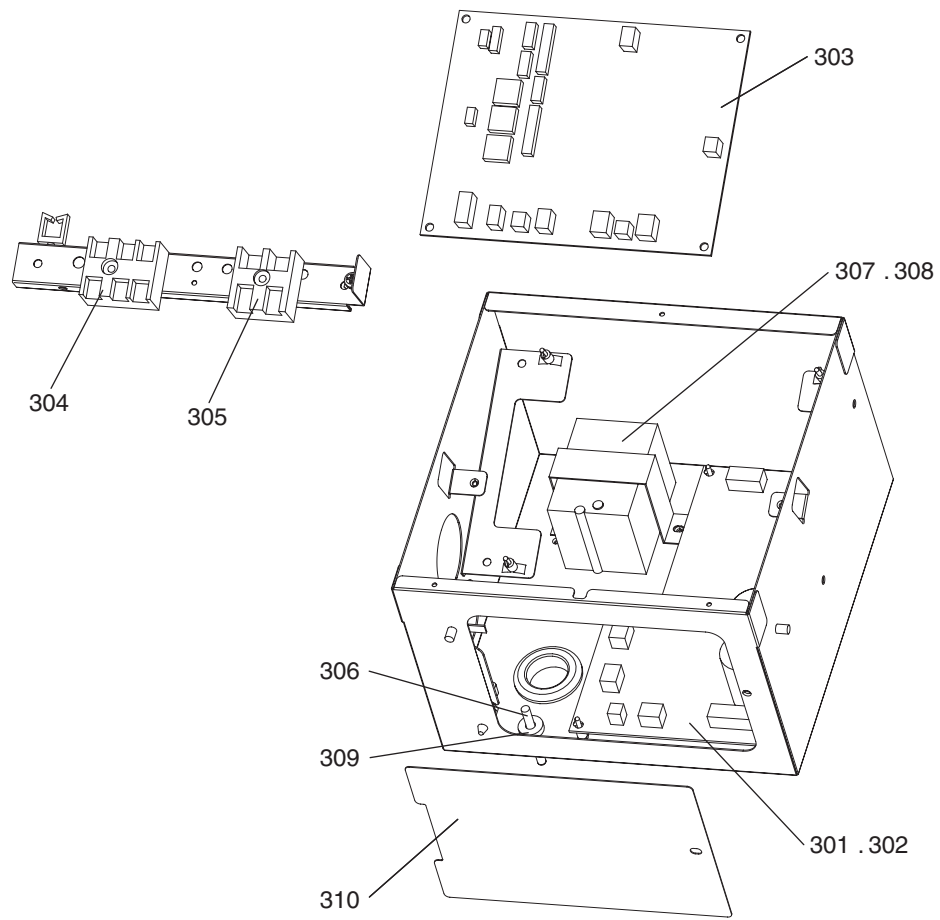
PEAD-A24,A30AA4
PEAD-A36,A42AA4

BLOWER PARTS



PEAD-A24,A30AA4
PEAD-A36,A42AA4

CONTROL BOX PARTS



PEAD-A24,A30AA4
 PEAD-A36,A42AA4

CONTROL BOX PARTS

No.	Part No.	G : RoHS Apply Only W : RoHS Apply by Running Change		Spec.	PEAD-A24AA4	PEAD-A30AA4	PEAD-A36AA4	PEAD-A42AA4	Dwg. No.	Notes for the models	Revision info.
		Part Name									
301	R61 124 280	PCA board		PW 3A	1	1			KE80C349G03		
302	R61 125 280	PCA board		PW 5A			1	1	KE80C349G04		
303	R61 156 280	PCA board		INDOOR CONTROL	1	1	1	1	KE80C349G07		
304	R61 025 246	G	Terminal block assy		1	1	1	1	BH00C267G02		
305	R61 023 246	G	Terminal block		1	1	1	1	BH73L021H01		
306	R61 103 200	G	Thermistor S	250XAP	1	1	1	1	RG71J628H01		
307	R61 018 259	G	Reactor	3A3	1				KE65D486H02		
308	R61 019 259	G	Reactor	3A6		1	1	1	KE65D487H01		
309	R63 003 104	G	Cord bush		1	1	1	1	P695114X01		
310	R61 069 690	G	Box under cover		1	1	1	1	KB02K887H01		

