

**SUBMITTAL DATA: MXZ-4B36NA-1**
**MULTI-INDOOR INVERTER HEAT-PUMP SYSTEM**

Job Name:	Location:	Date:
Purchaser:	Engineer:	
Submitted to:	For <input type="checkbox"/> Reference <input type="checkbox"/> Approval <input type="checkbox"/> Construction	
System Designation:	Schedule No.:	

**GENERAL FEATURES**

- Compact side discharge outdoor unit
- Wireless or wired remote controller, indoor unit dependent
- Quiet operation
- Automatic fan speed control
- Auto restart following power outage
- Self-check function—integrated diagnostics
- Advanced microprocessor control
- Limited warranty: five years parts and seven years compressors



Outdoor Unit: MXZ-4B36NA-1



**ACCESSORIES**

- Air Outlet Guide (MAC-856SG)
- 3/8" x 1/2" Port Adapter (MAC-A454JP-E)
- 1/2" x 3/8" Port Adapter (MAC-A455JP-E)
- 1/2" x 5/8" Port Adapter (MAC-A456JP-E)
- 1/4" x 3/8" Port Adapter (PAC-493PI)
- 3/8" x 5/8" Port Adapter (PAC-SG76RJ-E)

Specifications			Model Name
Unit Type			MXZ-4B36NA-1
Cooling* (Non-ducted / Ducted)	Rated Capacity	Btu/h	35,400 / 34,400
	Maximum Capacity	Btu/h	36,400 / 4,800
	Total Input	W	3,760 / 3,940
Heating at 47°F* (Non-ducted / Ducted)	Rated Capacity	Btu/h	36,000 / 34,400
	Maximum Capacity	Btu/h	43,000 / 41,400
	Total Input	W	3,020 / 3,100
Heating at 17°F* (Non-ducted/Ducted)	Rated Capacity	Btu/h	22,200 / 20,300
	Total Input	W	2,430 / 2,340
Electrical Requirements	Power Supply	Voltage, Phase, Hertz	208 / 230V, 1-Phase, 60 Hz
	Recommended Fuse/Breaker Size	A	25
	MCA	A	23
Voltage	Indoor - Outdoor S1-S2	V	AC 208 / 230
	Indoor - Outdoor S2-S3	V	DC ±24
Compressor			DC Inverter-driven Twin Rotary
Fan Motor (ECM)		F.L.A.	0.93
Sound Pressure Level (Non-ducted/Ducted)	Cooling	dB(A)	54
	Heating		57
External Dimensions (H x W x D)		In. / mm	35-7/16 x 35-7/16 x 12-5/8 / 900 x 900 x 321
Net Weight		Lbs. / kg	153 (69)
External Finish			Munsell 3.0Y 7.8/1.1
Refrigerant Pipe Size O.D. — Four Ports	Liquid (High Pressure)	(In. / mm)	1/4 / 6.35
	Gas (Low Pressure)		A: 1/2 / 12.7; B,C,D: 3/8 / 9.52
Max. Refrigerant Line Length		Ft.	230
Max. Piping Length for Each Indoor Unit		Ft.	82
Max. Refrigerant Pipe Height Difference	If Indoor Unit is Above Outdoor Unit	Ft.	49
	If Indoor Unit is Below Outdoor Unit		33
Connection Method			Flared
Refrigerant			R410A

(For data on specific indoor units, see the MXZ-B Technical and Service Manual.)

**\* Rating Conditions per AHRI Standard:**

 Cooling | Indoor: 80° F (27° C) DB / 67° F (19° C) WB  
 Cooling | Outdoor: 95° F (35° C) DB / 75° F (24° C) WB

 Heating at 47° F | Indoor: 70° F (21° C) DB / 60° F (16° C) WB  
 Heating at 47° F | Outdoor: 47° F (8° C) DB / 43° F (6° C) WB

 Heating at 17° F | Indoor: 70° F (21° C) DB / 60° F (16° C) WB  
 Heating at 17° F | Outdoor: 17° F (-8° C) DB / 15° F (-9° C) WB

# SPECIFICATIONS: MXZ-4B36NA-1, contd.

### Operating Range:

		Indoor Intake Air Temp.	Outdoor Intake Air Temp.
Cooling	Maximum	95° F (35° C) DB 71° F (22° C) WB	115° F (46° C) DB
	Minimum	67° F (19° C) DB 57° F (14° C) WB	14° F (-10° C) DB
Heating	Maximum	80° F (27° C) DB 67° F (19° C) WB	75° F (24° C) DB 65° F (18° C) WB
	Minimum	70° F (21° C) DB 60° F (16° C) WB	6° F (-14° C) DB 5° F (-15° C) WB

### Energy Efficiencies:

Indoor Unit Type	SEER	EER	HSPF	COP @ 47°F	COP @ 17°F
<b>Non-ducted (06+09+09+09+09)</b>	18	9.4	9.3	3.5	2.68
<b>Ducted and Non-ducted</b>	16.5	9.1	9.2	3.38	2.61
<b>Ducted (09+09+09+09+09)</b>	15	8.7	9	3.25	2.54

### Multi-zone Indoor/Outdoor Combination Table

	MSZ-FE*	MSZ-GE*	MFZ*	SEZ*	SLZ*	PCA (A24)*	PLA (A12/18/24)*	PEAD (A24)*
<b>MXZ-4B36NA-1</b>	OK	OK	OK	OK	OK	24 OK	18, 24 OK 12 NO	24 OK

\* Refer to indoor unit submittal.

### Notes:

- Minimum of two Indoor Units must be connected to the MXZ-4B36NA-1.
- Minimum installed capacity cannot be less than 12,000 Btu/h.
- There are NO indoor units larger than 24,000 Btu/h that can be connected to MXZ Systems.
- PLA-A12BA can NOT be connected with MXZ-2B20NA-1/MXZ-3B24NA-1/MXZ-3B30NA-1/MXZ-4B36NA-1.
- System can operate with only one Indoor Unit turned on. (see Operation Performance Table next page for single Indoor Unit performance).
- May connect to any style indoor unit or combination.
- Information provided at 208/230V. Refer to the MXZ Outdoor Unit Service Manual for detailed specifications and additional information per Indoor Unit Combination.

Notes:

# MXZ-4B36NA-1 OPERATION PERFORMANCE

Operation Performance for Indoor Unit Combinations (Unit A + Unit B + Unit C + Unit D)	Cooling Capacity Range (Btu/h)					Power Usage Range (W)
	Heating Capacity Range (Btu/h)					
	Unit A	Unit B	Unit C	Unit D	Total Range	
6	6,500	-	-	-	5,200 - 6,500	460 - 580
	7,800	-	-	-	6,800 - 14,400	540 - 1,460
9	9,000	-	-	-	7,200 - 9,000	580 - 820
	10,900	-	-	-	8,600 - 15,400	780 - 1,520
12	12,000	-	-	-	7,200 - 12,000	580 - 1,020
	13,600 - 14,400	-	-	-	8,600 - 16,400	780 - 1,600
15	14,000 - 15,000	-	-	-	7,200 - 15,000	580 - 1,340
	18,000	-	-	-	8,600 - 21,100	780 - 2,280
18	17,200	-	-	-	7,200 - 17,200	580 - 1,590
	21,600	-	-	-	8,600 - 24,900	780 - 2,770
24	22,000	-	-	-	7,200 - 22,000	580 - 2,200
	23,200	-	-	-	8,600 - 27,800	780 - 3,000
6 + 6	6,500	6,500	-	-	12,000 - 13,000	920 - 960
	7,800	7,800	-	-	11,000 - 31,000	740 - 2,560
6 + 9	6,500	9,000	-	-	12,000 - 15,500	940 - 1,260
	7,800	10,900	-	-	11,000 - 31,000	740 - 2,560
6 + 12	6,500	12,000	-	-	12,000 - 18,500	920 - 1,600
	7,800	13,600 - 14,400	-	-	11,000 - 31,000	740 - 2,560
6 + 15	6,500	14,000 - 15,000	-	-	12,000 - 21,500	920 - 1,940
	7,800	18,000	-	-	11,000 - 33,000	740 - 2,800
6 + 18	6,500	17,200	-	-	12,000 - 23,700	920 - 2,460
	7,200	19,800	-	-	11,000 - 35,000	740 - 2,920
6 + 24	5,900	20,100	-	-	12,000 - 26,000	920 - 2,800
	6,800	20,200	-	-	11,000 - 35,000	740 - 2,860
9 + 9	9,000	9,000	-	-	12,000 - 18,000	920 - 1,840
	10,900	10,900	-	-	11,000 - 31,000	740 - 2,560
9 + 12	9,000	12,000	-	-	12,000 - 21,000	920 - 2,040
	10,900	13,600 - 14,400	-	-	11,000 - 33,000	740 - 2,800
9 + 15	9,000	14,000 - 15,000	-	-	12,000 - 24,000	920 - 2,540
	10,100	16,900	-	-	11,000 - 35,000	740 - 2,920
9 + 18	8,900	17,100	-	-	12,000 - 26,000	920 - 2,840
	9,000	18,000	-	-	11,000 - 35,000	740 - 2,920
9 + 24	7,600	20,400	-	-	12,000 - 28,000	920 - 3,220
	7,300	19,700	-	-	11,000 - 35,000	740 - 2,740
12 + 12	12,000	12,000	-	-	12,000 - 24,000	920 - 2,540
	13,500 - 13,900	13,100 - 13,500	-	-	11,000 - 35,000	740 - 2,920
12 + 15	11,500 - 12,000	14,000 - 14,500	-	-	12,000 - 26,000	920 - 2,840
	11,600 - 12,000	15,000 - 15,400	-	-	11,000 - 35,000	740 - 2,860
12 + 18	10,400	15,600	-	-	12,000 - 26,000	920 - 2,840
	10,400 - 10,800	16,200 - 16,600	-	-	11,000 - 35,000	740 - 2,860
12 + 24	9,900	18,100	-	-	12,000 - 28,000	920 - 3,220
	10,000 - 10,300	16,700 - 17,000	-	-	11,000 - 35,000	740 - 2,740
15 + 15	13,000	13,000	-	-	12,000 - 26,000	920 - 2,840
	13,500	13,500	-	-	11,000 - 35,000	740 - 2,800
15 + 18	11,700 - 11,800	14,200 - 14,300	-	-	12,000 - 26,000	920 - 2,840
	12,300	14,700	-	-	11,000 - 35,000	740 - 2,800
18 + 18	13,000	13,000	-	-	12,000 - 26,000	920 - 2,840
	13,500	13,500	-	-	11,000 - 35,000	740 - 2,800

# MXZ-4B36NA-1 OPERATION PERFORMANCE, contd.

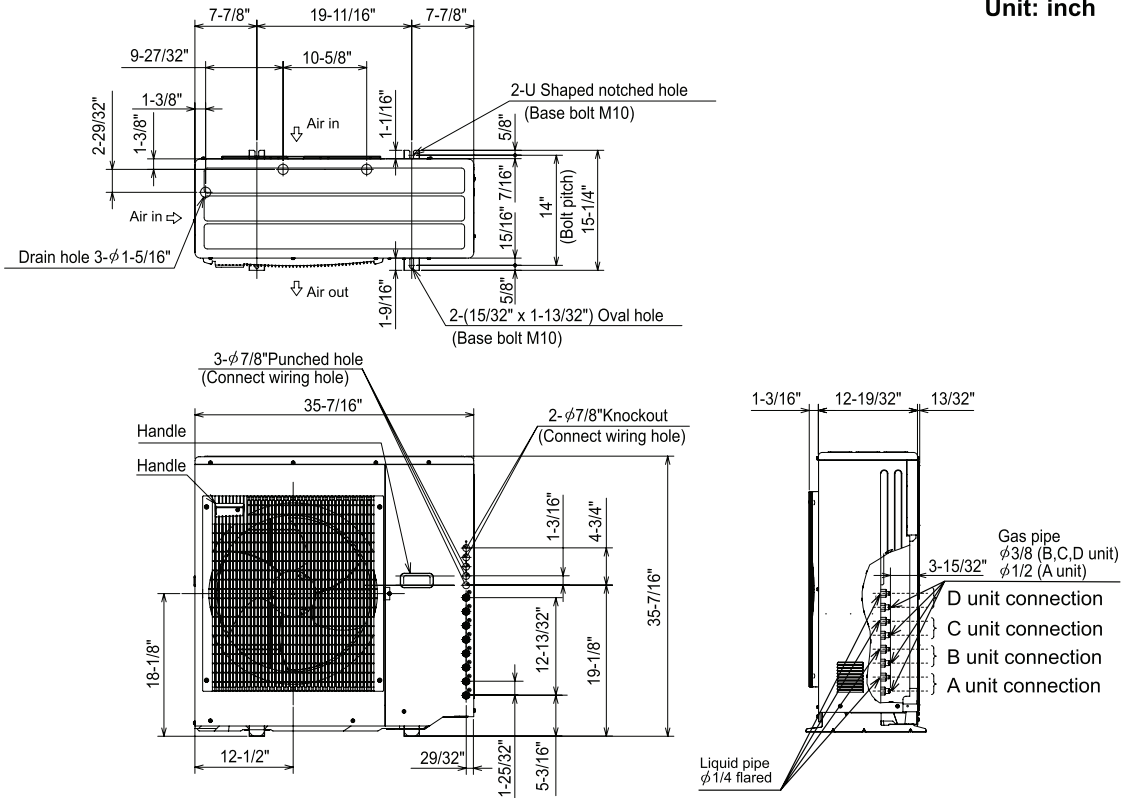
Operation Performance for Indoor Unit Combinations (Unit A + Unit B + Unit C + Unit D)	Cooling Capacity Range (Btu/h)					Power Usage Range (W)
	Heating Capacity Range (Btu/h)					
	Unit A	Unit B	Unit C	Unit D	Total Range	
6 + 6 + 6	6,500	6,500	6,500	-	12,600 - 19,500	1,000 - 1,600
	7,800	7,800	7,800	-	11,400 - 36,000	740 - 2,820
6 + 6 + 9	6,500	6,500	9,000	-	12,600 - 22,000	1,000 - 1,940
	7,800	7,800	10,900	-	11,400 - 36,000	740 - 2,820
6 + 6 + 12	6,500	6,500	12,000	-	12,600 - 25,000	1,000 - 2,330
	7,800	7,800	13,600 - 14,400	-	11,400 - 36,000	740 - 2,820
6 + 6 + 15	6,500	6,500	14,000 - 15,000	-	12,600 - 28,000	1,000 - 2,580
	7,500	7,500	17,400	-	11,400 - 36,000	740 - 2,820
6 + 6 + 18	6,500	6,500	17,200	-	12,600 - 30,200	1,000 - 3,120
	6,800	6,800	18,800	-	11,400 - 36,000	740 - 2,820
6 + 6 + 24	6,000	6,000	20,100	-	12,600 - 32,100	1,000 - 3,500
	6,500	6,500	19,400	-	11,400 - 36,000	740 - 2,820
6 + 9 + 9	6,500	9,000	9,000	-	12,600 - 24,500	1,000 - 2,290
	7,800	10,900	10,900	-	11,400 - 36,000	740 - 2,820
6 + 9 + 12	6,500	9,000	12,000	-	12,600 - 27,500	1,000 - 2,690
	7,800 - 7,800	10,300 - 10,900	13,600 - 14,100	-	11,400 - 36,000	740 - 2,820
6 + 9 + 15	6,500	9,000	14,000 - 15,000	-	12,600 - 30,500	1,000 - 3,040
	6,900	9,200 - 9,600	15,900	-	11,400 - 36,000	740 - 2,820
6 + 9 + 18	6,400	8,400 - 8,800	16,900	-	12,600 - 32,100	1,000 - 3,550
	6,200	8,400 - 8,800	17,400	-	11,400 - 36,000	740 - 2,820
6 + 9 + 24	5,600	7,300 - 7,700	18,800	-	12,600 - 32,100	1,000 - 3,530
	6,000	8,000 - 8,400	18,000	-	11,400 - 36,000	740 - 2,820
6 + 12 + 12	6,500	12,000	12,000	-	12,600 - 30,500	1,000 - 3,190
	7,000 - 7,200	12,600 - 13,000	12,300 - 12,700	-	11,400 - 36,000	740 - 2,820
6 + 12 + 15	6,200 - 6,400	11,500 - 11,900	13,800 - 14,400	-	12,600 - 32,100	1,000 - 3,540
	6,300 - 6,400	11,200 - 11,600	14,500 - 14,800	-	11,400 - 36,000	740 - 2,820
6 + 12 + 18	5,800	10,800	15,500	-	12,600 - 32,100	1,000 - 3,540
	5,700 - 5,900	10,200 - 10,700	16,000 - 16,300	-	11,400 - 36,000	740 - 2,820
6 + 15 + 15	5,700 - 6,100	12,700 - 13,200	13,000 - 13,500	-	12,600 - 32,100	1,000 - 3,540
	5,800	13,300	13,300	-	11,400 - 36,000	740 - 2,820
6 + 15 + 18	5,400 - 5,600	11,900 - 12,400	14,300 - 14,600	-	12,600 - 32,100	1,000 - 3,540
	5,300	12,300	14,800	-	11,400 - 36,000	740 - 2,820
6 + 18 + 18	5,100	13,500	13,500	-	12,600 - 32,100	1,000 - 3,540
	5,000	13,700	13,700	-	11,400 - 36,000	740 - 2,820
9 + 9 + 9	8,600 - 9,000	8,600 - 9,000	8,600 - 9,000	-	12,600 - 27,000	1,000 - 2,950
	10,400 - 10,800	10,400 - 10,800	10,400 - 10,800	-	11,400 - 36,000	740 - 2,820
9 + 9 + 12	8,600 - 9,000	8,600 - 9,000	12,000	-	12,600 - 30,000	1,000 - 3,350
	9,400 - 10,000	9,400 - 10,000	12,400 - 12,800	-	11,400 - 36,000	740 - 2,820
9 + 9 + 15	8,400 - 9,000	8,400 - 9,000	14,000 - 14,500	-	12,600 - 32,100	1,000 - 3,580
	8,500 - 8,900	8,500 - 8,900	14,600	-	11,400 - 36,000	740 - 2,820
9 + 9 + 18	7,700 - 8,200	7,700 - 8,200	15,700 - 15,900	-	12,600 - 32,100	1,000 - 3,580
	7,700 - 8,100	7,700 - 8,100	16,200	-	11,400 - 36,000	740 - 2,820
9 + 9 + 24	6,500 - 6,900	6,500 - 6,900	18,300	-	12,600 - 32,100	1,000 - 3,560
	7,400 - 7,800	7,400 - 7,800	16,800	-	11,400 - 36,000	740 - 2,820
9 + 12 + 12	8,300 - 8,700	11,700	11,700	-	12,600 - 32,100	1,000 - 3,570
	8,600 - 9,400	11,500 - 12,000	11,300 - 11,700	-	11,400 - 36,000	740 - 2,820
9 + 12 + 15	7,600 - 8,300	10,700 - 11,000	12,800 - 13,400	-	12,600 - 32,100	1,000 - 3,570
	7,800 - 8,300	10,400 - 10,800	13,400 - 13,700	-	11,400 - 36,000	740 - 2,820
9 + 12 + 18	7,100 - 7,500	10,000	14,600	-	12,600 - 32,100	1,000 - 3,570
	7,200 - 7,600	9,600 - 9,900	14,900 - 15,200	-	11,400 - 36,000	740 - 2,820
9 + 15 + 15	7,100 - 7,700	11,700 - 12,300	12,200 - 12,700	-	12,600 - 32,100	1,000 - 3,570
	7,200 - 7,600	12,400	12,400	-	11,400 - 36,000	740 - 2,820
9 + 15 + 18	6,600 - 7,200	11,000 - 11,600	13,500 - 13,700	-	12,600 - 32,100	1,000 - 3,570
	6,600 - 7,000	11,500	13,900	-	11,400 - 36,000	740 - 2,820
9 + 18 + 18	6,100 - 6,500	12,800	12,800	-	12,600 - 32,100	1,000 - 3,570
	6,200 - 6,600	12,900	12,900	-	11,400 - 36,000	740 - 2,820

# MXZ-4B36NA-1 OPERATION PERFORMANCE, contd.

Operation Performance for Indoor Unit Combinations (Unit A + Unit B + Unit C + Unit D)	Cooling Capacity Range (Btu/h)					Power Usage Range (W)
	Heating Capacity Range (Btu/h)					
	Unit A	Unit B	Unit C	Unit D	Total Range	
12 + 12 + 12	10,700	10,700	10,700	-	12,600 - 32,100	1,000 - 3,560
	10,800 - 11,200	10,600 - 11,200	10,400 - 10,800	-	11,400 - 36,000	740 - 2,820
12 + 12 + 15	9,900 - 10,100	9,900 - 10,100	11,900 - 12,300	-	12,600 - 32,100	1,000 - 3,560
	9,700 - 10,100	9,600 - 10,000	12,400 - 13,000	-	11,400 - 36,000	740 - 2,820
12 + 12 + 18	9,300	9,300	13,500	-	12,600 - 32,100	1,000 - 3,560
	9,000 - 9,400	8,900 - 9,300	13,800 - 14,400	-	11,400 - 36,000	740 - 2,820
12 + 15 + 15	9,100 - 9,700	11,200 - 11,500	11,200 - 11,700	-	12,600 - 32,100	1,000 - 3,560
	9,000	11,700	11,700	-	11,400 - 36,000	740 - 2,820
6 + 6 + 6 + 6	6,500	6,500	6,500	6,500	12,600 - 26,000	1,000 - 2,080
	7,800	7,800	7,800	7,800	11,400 - 43,000	740 - 3,880
6 + 6 + 6 + 9	6,500	6,500	6,500	9,000	12,600 - 28,500	1,000 - 2,420
	7,800	7,800	7,800	10,900	11,400 - 43,000	740 - 3,900
6 + 6 + 6 + 12	6,500	6,500	6,500	12,000	12,600 - 31,500	1,000 - 2,890
	7,400 - 7,600	7,400 - 7,600	7,400 - 7,600	13,200 - 13,800	11,400 - 43,000	740 - 3,900
6 + 6 + 6 + 15	6,500	6,500	6,500	14,000 - 15,000	12,600 - 34,500	1,000 - 3,230
	6,800	6,800	6,800	15,600	11,400 - 43,000	740 - 3,900
6 + 6 + 9 + 9	6,500	6,500	9,000	9,000	12,600 - 31,000	1,000 - 2,850
	7,500	7,500	10,100 - 10,500	10,100 - 10,500	11,400 - 43,000	740 - 3,910
6 + 6 + 9 + 12	6,500	6,500	9,000	12,000	12,600 - 34,000	1,000 - 3,340
	6,900 - 7,000	6,900 - 7,000	9,200 - 9,600	12,200 - 12,600	11,400 - 43,000	740 - 3,910
6 + 6 + 9 + 15	6,100 - 6,400	6,100 - 6,400	8,600 - 8,800	13,800 - 14,200	12,600 - 36,400	1,000 - 3,960
	6,300	6,300	8,400 - 8,800	14,600	11,400 - 43,000	740 - 3,910
6 + 6 + 9 + 18	5,900	5,900	8,100 - 8,300	15,700 - 15,900	12,600 - 36,400	1,000 - 3,940
	5,800	5,800	7,800 - 8,200	16,200	11,400 - 43,000	740 - 3,910
6 + 6 + 12 + 12	6,200	6,200	11,300 - 11,500	11,300 - 11,500	12,600 - 36,400	1,000 - 3,940
	6,300 - 6,600	6,300 - 6,600	11,400 - 11,900	11,300 - 11,700	11,400 - 43,000	740 - 3,910
6 + 6 + 12 + 15	5,800 - 6,000	5,800 - 6,000	10,600 - 11,200	12,800 - 13,600	12,600 - 36,400	1,000 - 3,940
	5,900 - 6,000	5,900 - 6,000	10,300 - 10,700	13,500 - 13,700	11,400 - 43,000	740 - 3,910
6 + 6 + 15 + 15	5,400 - 5,700	5,400 - 5,700	12,000 - 12,400	12,300 - 12,800	12,600 - 36,400	1,000 - 3,940
	5,400	5,400	12,600	12,600	11,400 - 43,000	740 - 3,910
6 + 9 + 9 + 9	6,500	9,000	9,000	9,000	12,600 - 33,500	1,000 - 3,300
	6,900	9,300 - 9,700	9,300 - 9,700	9,300 - 9,700	11,400 - 43,000	740 - 3,930
6 + 9 + 9 + 12	6,200 - 6,400	8,600 - 8,700	8,600 - 8,700	11,400 - 11,600	12,600 - 36,400	1,000 - 3,980
	6,400	8,500 - 8,900	8,500 - 8,900	11,800	11,400 - 43,000	740 - 3,930
6 + 9 + 9 + 15	5,800 - 6,100	8,000 - 8,400	8,000 - 8,400	12,900 - 13,600	12,600 - 36,400	1,000 - 3,980
	5,900	7,800 - 8,200	7,800 - 8,200	13,700	11,400 - 43,000	740 - 3,930
6 + 9 + 12 + 12	5,900	8,100 - 8,300	10,800 - 10,900	10,800 - 10,900	12,600 - 36,400	1,000 - 3,970
	5,900	7,900 - 8,300	10,900	10,900	11,400 - 43,000	740 - 3,930
6 + 9 + 12 + 15	5,400 - 5,600	7,500 - 7,800	10,100 - 10,500	12,100 - 12,700	12,600 - 36,400	1,000 - 3,970
	5,500	7,300 - 7,700	10,100	12,700	11,400 - 43,000	740 - 3,930
9 + 9 + 9 + 9	8,600 - 8,850	8,600 - 8,850	8,600 - 8,850	8,600 - 8,850	12,600 - 36,400	1,000 - 4,020
	8,600 - 9,000	8,600 - 9,000	8,600 - 9,000	8,600 - 9,000	11,400 - 43,000	740 - 3,940
9 + 9 + 9 + 12	7,900 - 8,300	7,900 - 8,300	7,900 - 8,300	11,100	12,600 - 36,400	1,000 - 4,010
	7,900 - 8,500	7,900 - 8,500	7,900 - 8,500	10,500 - 11,100	11,400 - 43,000	740 - 3,940
9 + 9 + 9 + 15	7,300 - 7,900	7,300 - 7,900	7,300 - 7,900	12,300 - 12,900	12,600 - 36,400	1,000 - 4,010
	7,300 - 7,700	7,300 - 7,700	7,300 - 7,700	12,900	11,400 - 43,000	740 - 3,940
9 + 9 + 12 + 12	7,300 - 7,700	7,300 - 7,700	10,300	10,300	12,600 - 36,400	1,000 - 4,000
	7,400 - 8,000	7,400 - 8,000	10,000 - 10,400	9,800 - 10,200	11,400 - 43,000	740 - 3,940

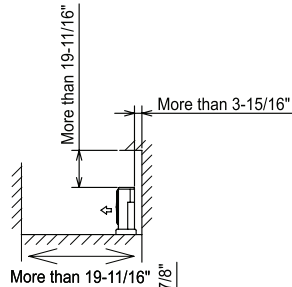
# DIMENSIONS: MXZ-4B36NA-1

Unit: inch

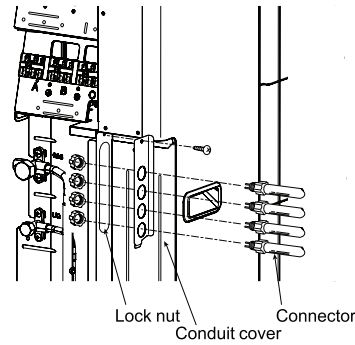
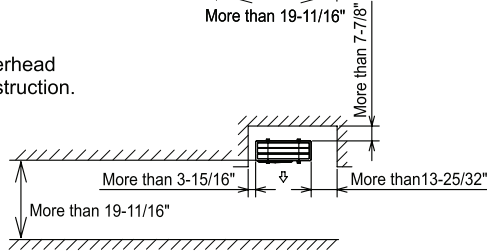


## 1. Installation space

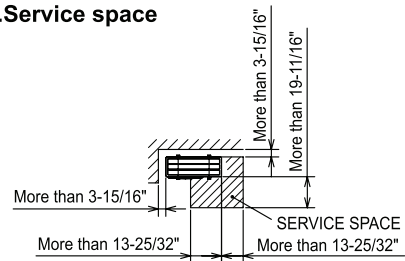
Note : Leave both sides free of obstruction.



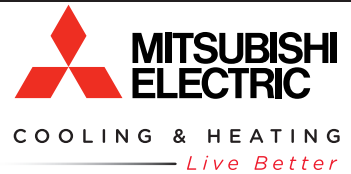
Note : Leave overhead free of obstruction.



## 2. Service space



**Intertek**



1340 Satellite Boulevard  
 Suwanee, GA 30024  
 Tele: 678-376-2900 • Fax: 800-889-9904  
 Toll Free: 800-433-4822  
 www.mehvac.com