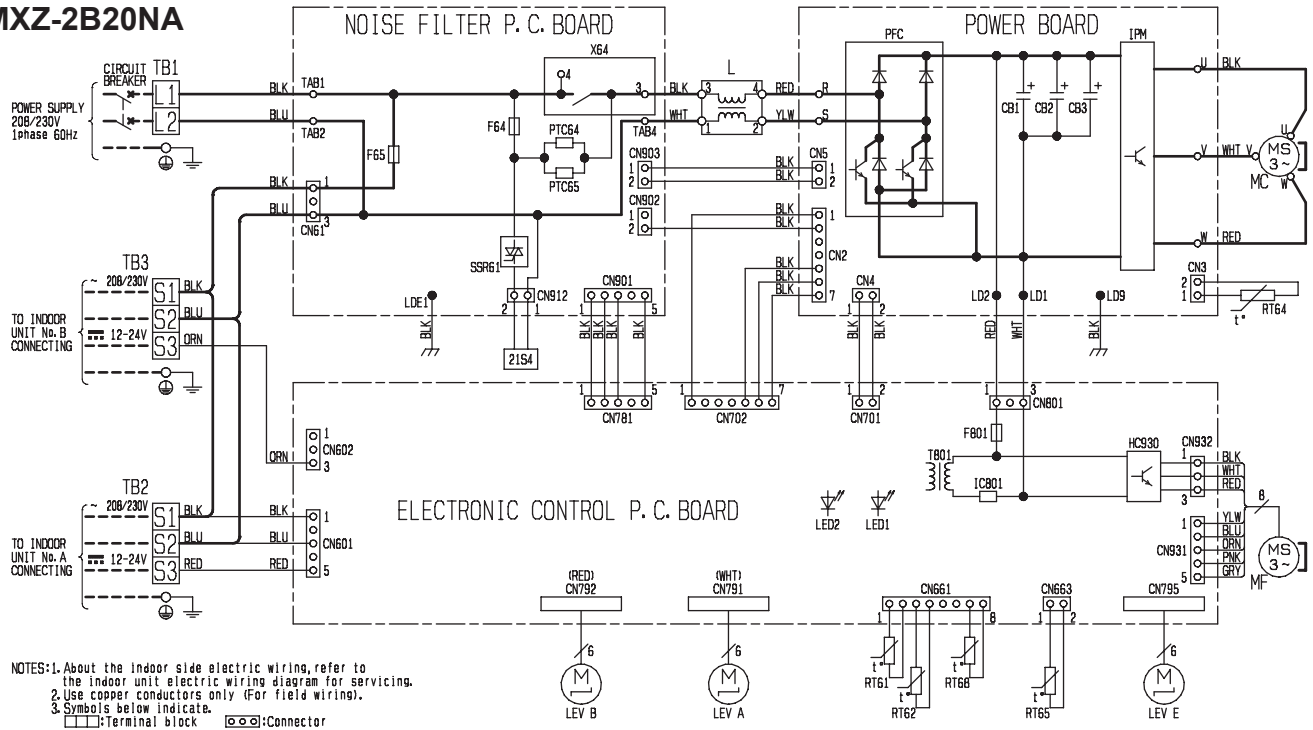


# WIRING DIAGRAM

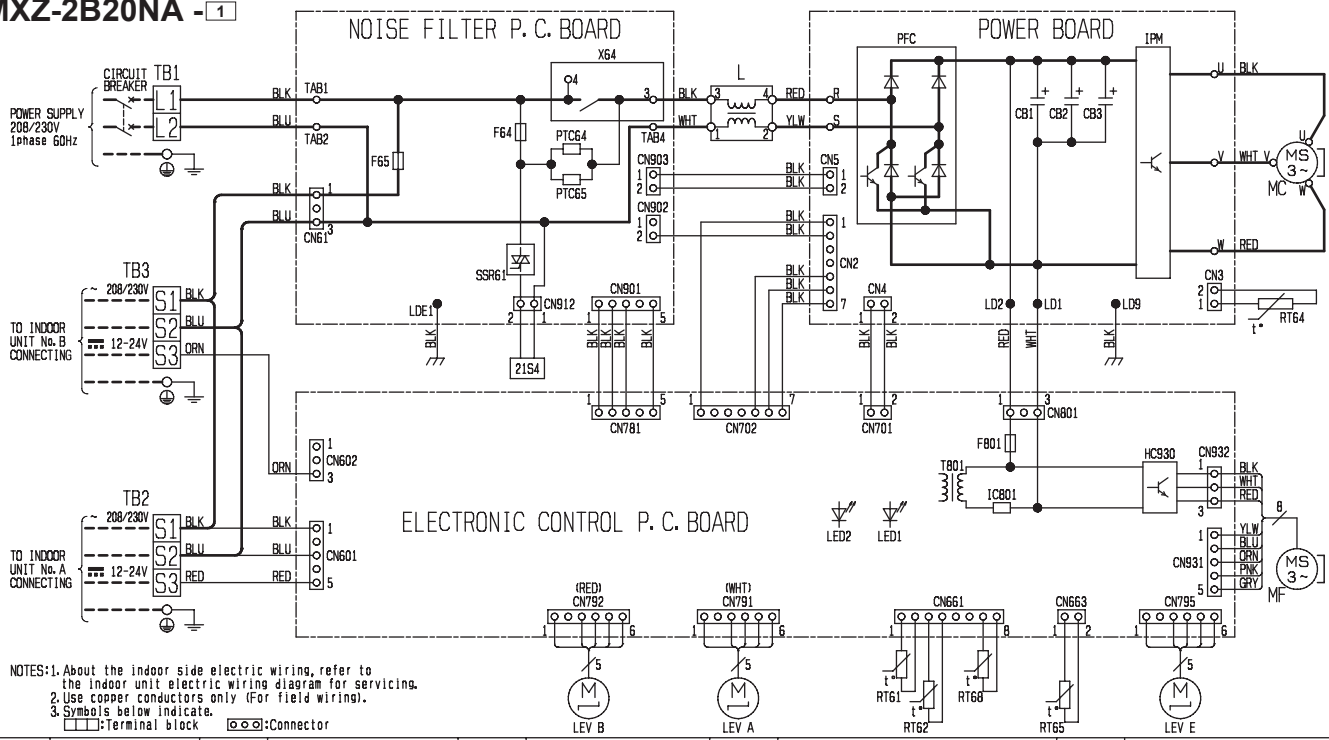
## MXZ-2B20NA



NOTES: 1. About the indoor side electric wiring, refer to the indoor unit electric wiring diagram for servicing.  
 2. Use copper conductors only (For field wiring).  
 3. Symbols below indicate.  
 □ Terminal block    ⊞ Connector

| SYMBOL | NAME                | SYMBOL   | NAME            | SYMBOL    | NAME                       | SYMBOL | NAME                                    | SYMBOL | NAME                          |
|--------|---------------------|----------|-----------------|-----------|----------------------------|--------|---|--------|-------------------------------|
| CB1~3  | SMOOTHING CAPACITOR | IPM      | POWER MODULE    | MF        | FAN MOTOR                  | RT65   | AMBIENT TEMP. THERMISTOR                | 21S4   | REVERSING VALVE SOLENOID COIL |
| F64    | FUSE (T2AL250V)     | L        | REACTOR         | PFC       | POWER FACTOR CONTROLLER    | RT68   | OUTDOOR HEAT EXCHANGER TEMP. THERMISTOR |        |                               |
| F65    | FUSE (T6.3AL250V)   | LED1, 2  | LED             | PTC64, 65 | CIRCUIT PROTECTION         | SSR61  | SOLENOID COIL RELAY                     |        |                               |
| F801   | FUSE (T3.15AL250V)  | LEV A, B | EXPANSION VALVE | RT61      | DEFROST THERMISTOR         | T801   | TRANSFORMER                             |        |                               |
| HC930  | POWER MODULE        | LEV E    | EXPANSION VALVE | RT62      | DISCHARGE TEMP. THERMISTOR | TB1~3  | TERMINAL BLOCK                          |        |                               |
| IC801  | POWER DEVICE        | MC       | COMPRESSOR      | RT64      | FIN TEMP. THERMISTOR       | XG4    | RELAY                                   |        |                               |

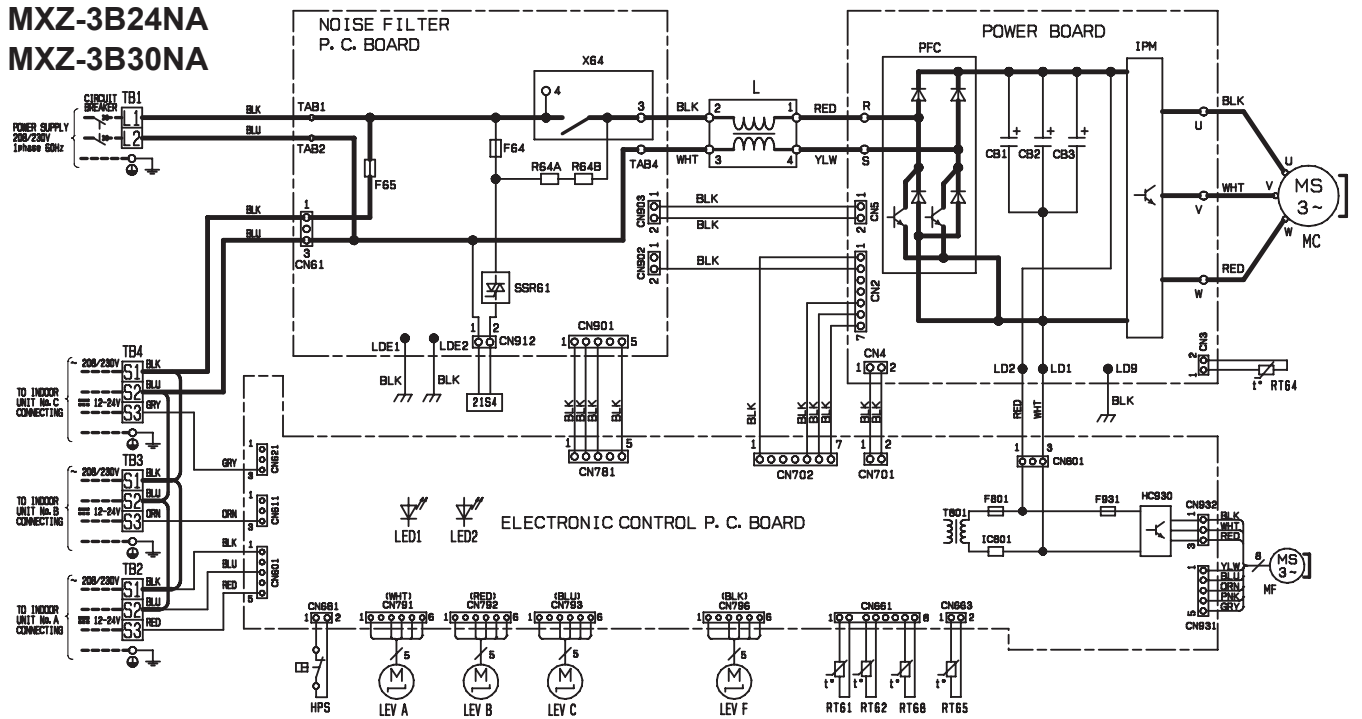
## MXZ-2B20NA - 1



NOTES: 1. About the indoor side electric wiring, refer to the indoor unit electric wiring diagram for servicing.  
 2. Use copper conductors only (For field wiring).  
 3. Symbols below indicate.  
 □ Terminal block    ⊞ Connector

| SYMBOL | NAME                | SYMBOL   | NAME            | SYMBOL    | NAME                       | SYMBOL | NAME                                    | SYMBOL | NAME                          |
|--------|---------------------|----------|-----------------|-----------|----------------------------|--------|---|--------|-------------------------------|
| CB1~3  | SMOOTHING CAPACITOR | IPM      | POWER MODULE    | MF        | FAN MOTOR                  | RT65   | AMBIENT TEMP. THERMISTOR                | 21S4   | REVERSING VALVE SOLENOID COIL |
| F64    | FUSE (T2AL250V)     | L        | REACTOR         | PFC       | POWER FACTOR CONTROLLER    | RT68   | OUTDOOR HEAT EXCHANGER TEMP. THERMISTOR |        |                               |
| F65    | FUSE (T6.3AL250V)   | LED1, 2  | LED             | PTC64, 65 | CIRCUIT PROTECTION         | SSR61  | SOLENOID COIL RELAY                     |        |                               |
| F801   | FUSE (T3.15AL250V)  | LEV A, B | EXPANSION VALVE | RT61      | DEFROST THERMISTOR         | T801   | TRANSFORMER                             |        |                               |
| HC930  | POWER MODULE        | LEV E    | EXPANSION VALVE | RT62      | DISCHARGE TEMP. THERMISTOR | TB1~3  | TERMINAL BLOCK                          |        |                               |
| IC801  | POWER DEVICE        | MC       | COMPRESSOR      | RT64      | FIN TEMP. THERMISTOR       | XG4    | RELAY                                   |        |                               |

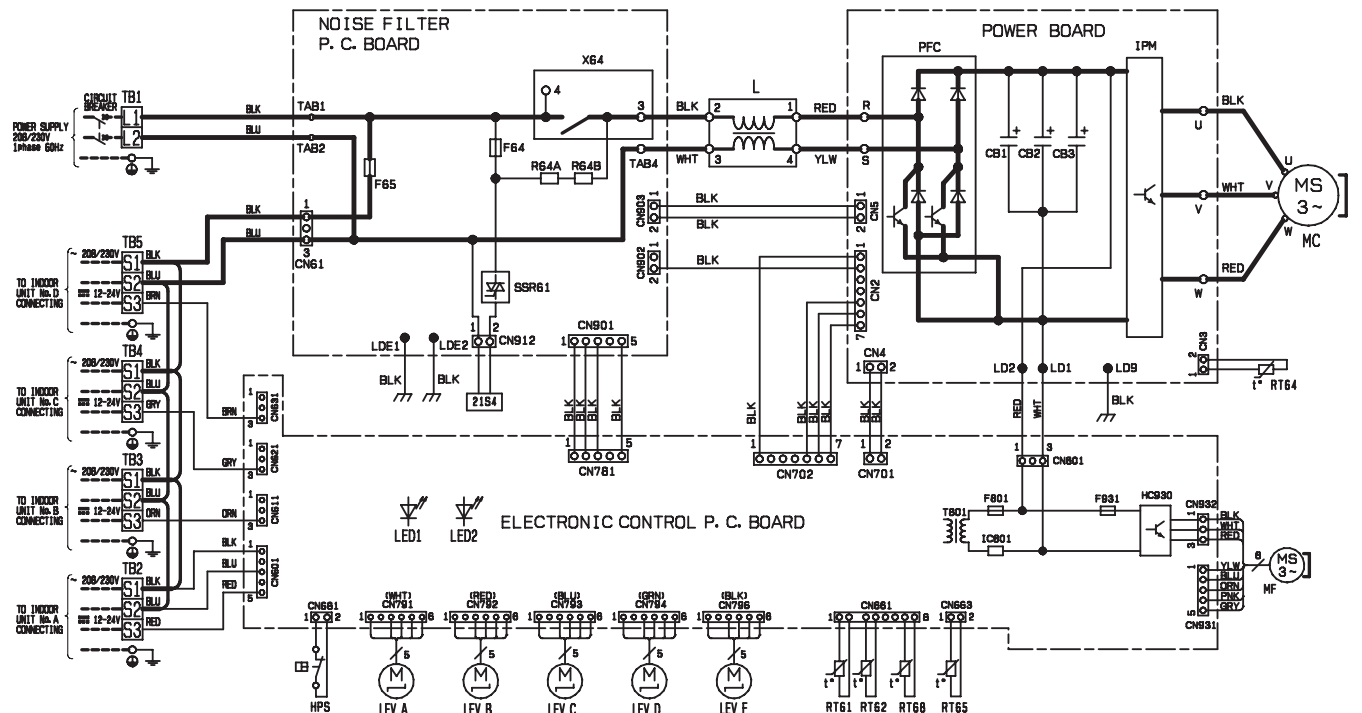
# MXZ-3B24NA MXZ-3B30NA



| SYMBOL | NAME                | SYMBOL   | NAME                 | SYMBOL  | NAME                    | SYMBOL | NAME  | SYMBOL | NAME                          |
|--------|---------------------|----------|----------------------|---------|-------------------------|--------|---|--------|-------------------------------|
| CB1-3  | SMOOTHING CAPACITOR | HPS      | HIGH PRESSURE SWITCH | LEV F   | EXPANSION VALVE         | RT62   | DISCHARGE TEMP. THERMISTOR                    | T801   | TRANSFORMER                   |
| F64    | FUSE (T2AL250V)     | IPM      | POWER MODULE         | MC      | COMPRESSOR              | RT64   | FIN TEMP. THERMISTOR                          | TB1-5  | TERMINAL BLOCK                |
| F65    | FUSE (T6.3AL250V)   | IC801    | POWER DEVICE         | MF      | FAN MOTOR               | RT65   | AMBIENT TEMP. THERMISTOR                      | X64    | RELAY                         |
| F801   | FUSE (T3.15AL250V)  | L        | REACTOR              | PFC     | POWER FACTOR CONTROLLER | RT68   | OUTDOOR HEAT EXCHANGER TEMPERATURE THERMISTOR | Z1S4   | REVERSING VALVE SOLENOID COIL |
| F931   | FUSE (T3.15AL250V)  | LED L, 2 | LED                  | R64A, B | RESISTOR                | SSR61  | SOLENOID COIL RELAY                           |        |                               |
| HC930  | POWER MODULE        | LEV A-C  | EXPANSION VALVE      | RT61    | DEFROST THERMISTOR      |        |   |        |                               |

- NOTES:
1. About the indoor side electric wiring, refer to the indoor unit electric wiring diagram for servicing.
  2. Use copper conductors only (For field wiring).
  3. Symbols below indicate.
    - : Terminal block
    - : connector

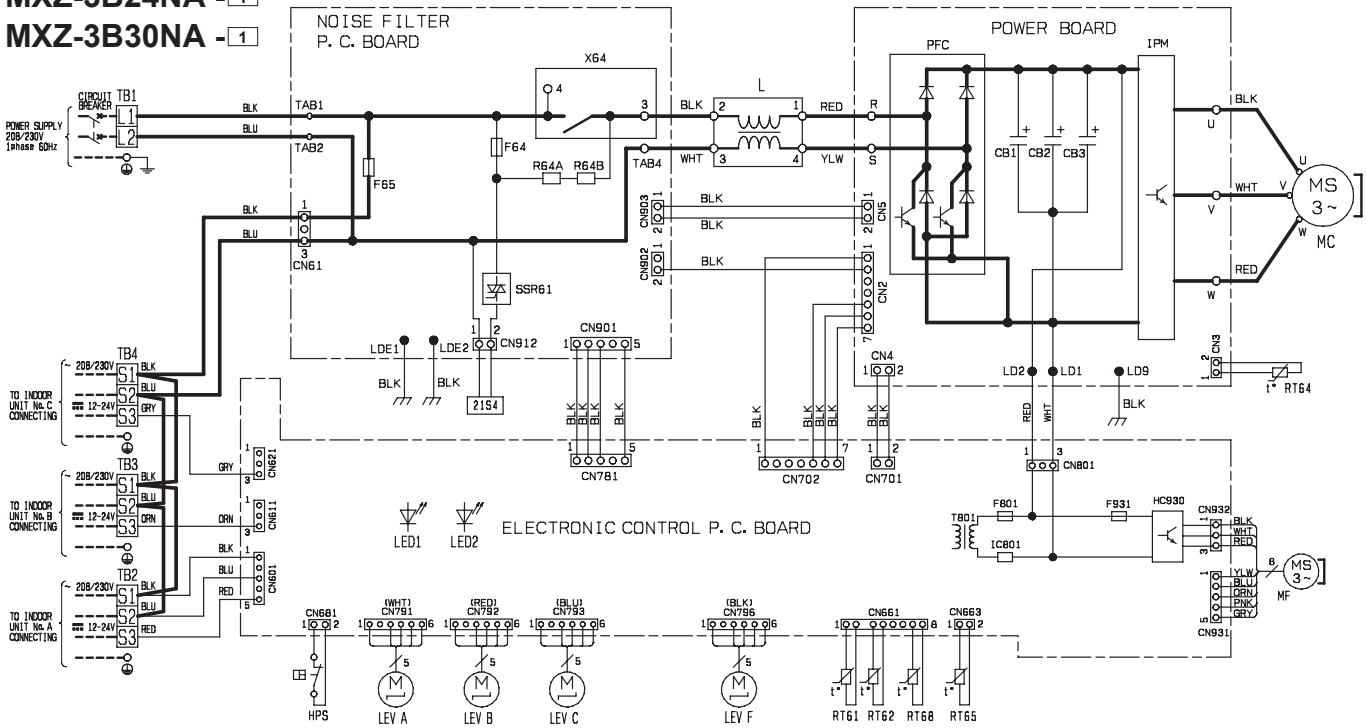
# MXZ-4B36NA



| SYMBOL | NAME                | SYMBOL   | NAME                 | SYMBOL  | NAME                    | SYMBOL | NAME  | SYMBOL | NAME                          |
|--------|---------------------|----------|----------------------|---------|-------------------------|--------|---|--------|-------------------------------|
| CB1-3  | SMOOTHING CAPACITOR | HPS      | HIGH PRESSURE SWITCH | LEV F   | EXPANSION VALVE         | RT62   | DISCHARGE TEMP. THERMISTOR                    | T801   | TRANSFORMER                   |
| F64    | FUSE (T2AL250V)     | IPM      | POWER MODULE         | MC      | COMPRESSOR              | RT64   | FIN TEMP. THERMISTOR                          | TB1-5  | TERMINAL BLOCK                |
| F65    | FUSE (T6.3AL250V)   | IC801    | POWER DEVICE         | MF      | FAN MOTOR               | RT65   | AMBIENT TEMP. THERMISTOR                      | X64    | RELAY                         |
| F801   | FUSE (T3.15AL250V)  | L        | REACTOR              | PFC     | POWER FACTOR CONTROLLER | RT68   | OUTDOOR HEAT EXCHANGER TEMPERATURE THERMISTOR | Z1S4   | REVERSING VALVE SOLENOID COIL |
| F931   | FUSE (T3.15AL250V)  | LED L, 2 | LED                  | R64A, B | RESISTOR                | SSR61  | SOLENOID COIL RELAY                           |        |                               |
| HC930  | POWER MODULE        | LEV A-D  | EXPANSION VALVE      | RT61    | DEFROST THERMISTOR      |        |   |        |                               |

- NOTES:
1. About the indoor side electric wiring, refer to the indoor unit electric wiring diagram for servicing.
  2. Use copper conductors only (For field wiring).
  3. Symbols below indicate.
    - : Terminal block
    - : connector

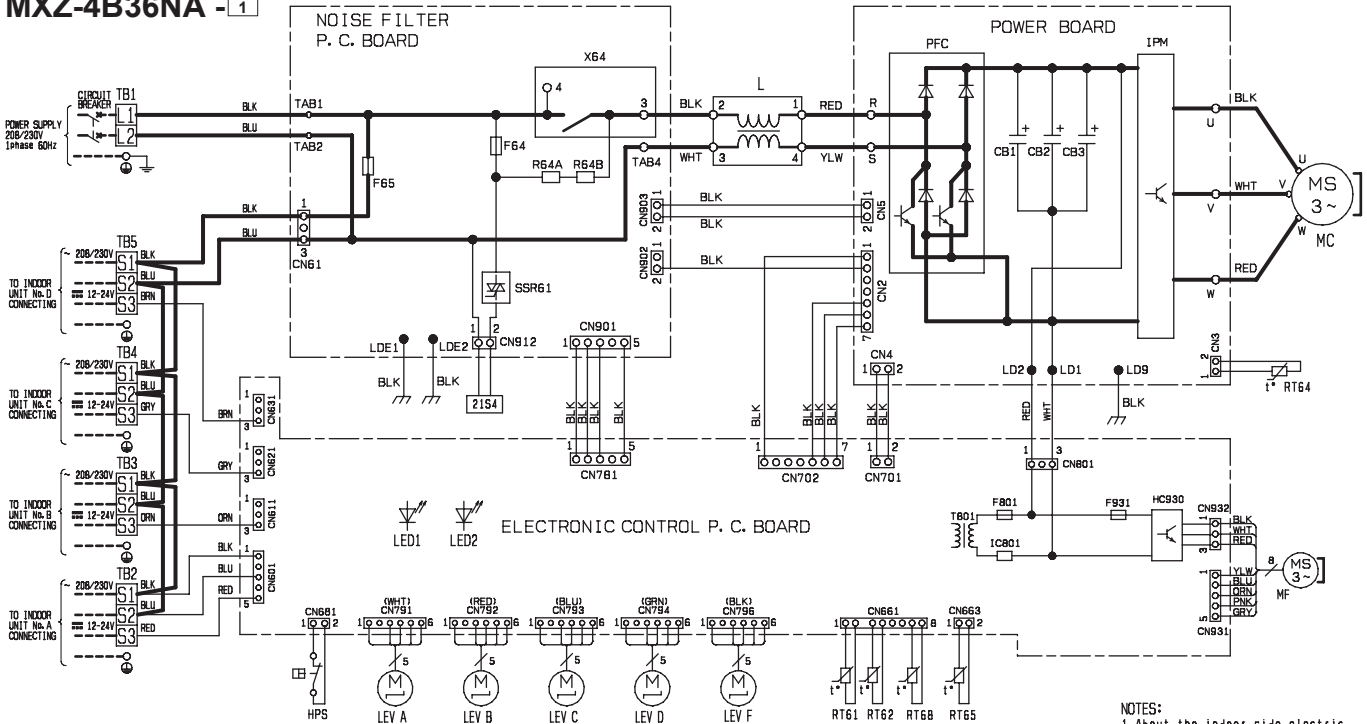
**MXZ-3B24NA - 1**  
**MXZ-3B30NA - 1**



| SYMBOL | NAME                 | SYMBOL   | NAME                 | SYMBOL  | NAME                    | SYMBOL | NAME  | SYMBOL | NAME                          |
|--------|----------------------|----------|----------------------|---------|-------------------------|--------|---|--------|-------------------------------|
| CB1-3  | SMOOTHING CAPACITOR  | HPS      | HIGH PRESSURE SWITCH | LEV F   | EXPANSION VALVE         | RT62   | DISCHARGE TEMP. THERMISTOR                    | T801   | TRANSFORMER                   |
| F64    | FUSE (T2AL 250V)     | IPM      | POWER MODULE         | MC      | COMPRESSOR              | RT64   | FIN TEMP. THERMISTOR                          | TB1-5  | TERMINAL BLOCK                |
| F65    | FUSE (T6. 3AL 250V)  | IC801    | POWER DEVICE         | MF      | FAN MOTOR               | RT65   | AMBIENT TEMP. THERMISTOR                      | X64    | RELAY                         |
| F801   | FUSE (T3. 15AL 250V) | L        | REACTOR              | PFC     | POWER FACTOR CONTROLLER | RT68   | OUTDOOR HEAT EXCHANGER TEMPERATURE THERMISTOR | T21S4  | REVERSING VALVE SOLENOID COIL |
| F931   | FUSE (T3. 15AL 250V) | LED 1, 2 | LED                  | R64A, B | RESISTOR                | SSR61  | SOLENOID COIL RELAY                           |        |                               |
| HC930  | POWER MODULE         | LEV A-C  | EXPANSION VALVE      | RT61    | DEFROST THERMISTOR      |        |   |        |                               |

- NOTES:
- About the indoor side electric wiring refer to the indoor unit electric wiring diagram for servicing.
  - Use copper conductors only (For field wiring).
  - Symbols below indicate.  
  : Terminal block  
  : connector

**MXZ-4B36NA - 1**



| SYMBOL | NAME                 | SYMBOL   | NAME                 | SYMBOL  | NAME                    | SYMBOL | NAME  | SYMBOL | NAME                          |
|--------|----------------------|----------|----------------------|---------|-------------------------|--------|---|--------|-------------------------------|
| CB1-3  | SMOOTHING CAPACITOR  | HPS      | HIGH PRESSURE SWITCH | LEV F   | EXPANSION VALVE         | RT62   | DISCHARGE TEMP. THERMISTOR                    | T801   | TRANSFORMER                   |
| F64    | FUSE (T2AL 250V)     | IC801    | POWER DEVICE         | MC      | COMPRESSOR              | RT64   | FIN TEMP. THERMISTOR                          | TB1-5  | TERMINAL BLOCK                |
| F65    | FUSE (T6. 3AL 250V)  | IPM      | POWER MODULE         | MF      | FAN MOTOR               | RT65   | AMBIENT TEMP. THERMISTOR                      | X64    | RELAY                         |
| F801   | FUSE (T3. 15AL 250V) | L        | REACTOR              | PFC     | POWER FACTOR CONTROLLER | RT68   | OUTDOOR HEAT EXCHANGER TEMPERATURE THERMISTOR | T21S4  | REVERSING VALVE SOLENOID COIL |
| F931   | FUSE (T3. 15AL 250V) | LED 1, 2 | LED                  | R64A, B | RESISTOR                | SSR61  | SOLENOID COIL RELAY                           |        |                               |
| HC930  | POWER MODULE         | LEV A-D  | EXPANSION VALVE      | RT61    | DEFROST THERMISTOR      |        |   |        |                               |

- NOTES:
- About the indoor side electric wiring refer to the indoor unit electric wiring diagram for servicing.
  - Use copper conductors only (For field wiring).
  - Symbols below indicate.  
  : Terminal block  
  : connector