

# OUTDOOR UNIT

**Revision D:**

- MUZ-HM24NA-[U2] has been added.
- Some descriptions have been modified.

OBB747 REVISED EDITION-C is void.

# PARTS CATALOG



**No. OBB747  
REVISED EDITION-D**

## Models

MUZ-HM09NA - [U1], [U2], [U8]

MUZ-HM09NA2 - [U1], [U8]

MUZ-HM09NAH - [U1]

MUZ-HM12NA - [U1], [U2], [U8]

MUZ-HM12NA2 - [U1], [U8]

MUZ-HM12NAH - [U1]

MUZ-HM15NA - [U1], [U2]

MUZ-HM15NA2 - [U1]

MUZ-HM15NAH - [U1]

MUZ-HM18NA - [U1], [U2]

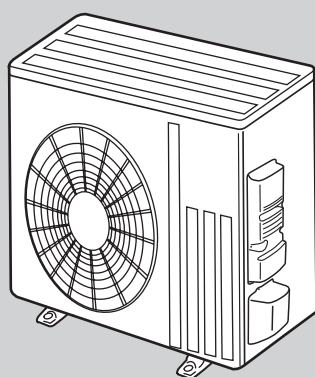
MUZ-HM18NA2 - [U1]

MUZ-HM18NAH - [U1]

MUZ-HM24NA - [U1], [U2]

MUZ-HM24NA2 - [U1]

MUZ-HM24NAH - [U1]



**MUZ-HM24NA**

## CONTENTS

1. SERVICE PARTS LIST ..... 2
2. OPTIONAL PARTS ..... 14

**SERVICE MANUAL (OBH747)**

**Revision A:**

- MUZ-HM09/12NA-[U8], MUZ-HM09/12NA2-[U8], MUZ-HM15/18NA-[U1], MUZ-HM15/18NA2-[U1] and MUZ-HM24NA2-[U1] have been added.

**Revision B:**

- MUZ-HM09/12NA-[U1] and MUZ-HM09/12NA2-[U1] have been added.

**Revision C:**

- MUZ-HM09/12/15/18NA-[U2] and MUZ-HM09/12/15/18/24NAH-[U1] have been added.

**Revision D:**

- MUZ-HM24NA-[U2] has been added.
- Some descriptions have been modified.

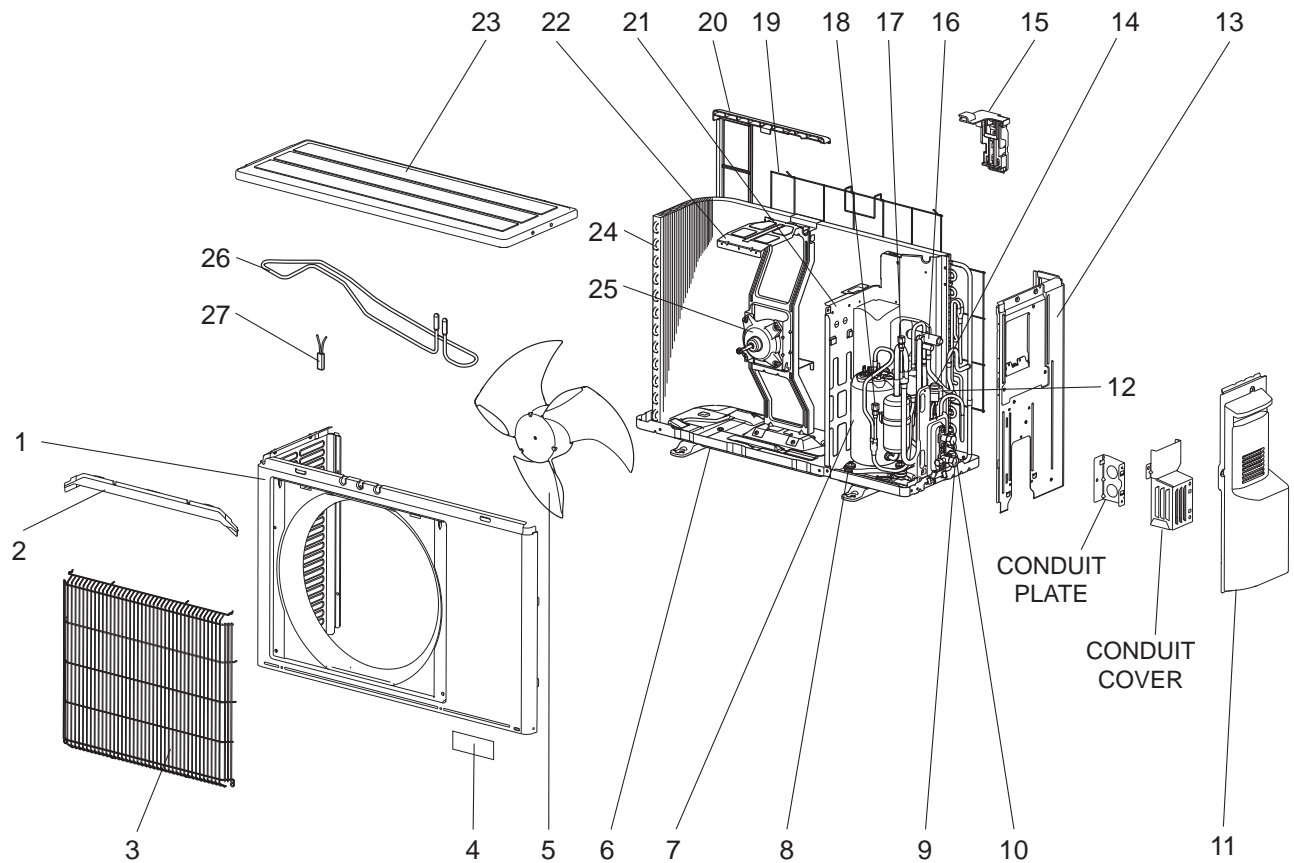
**1**

**SERVICE PARTS LIST**

MUZ-HM09NA-[U1], [U2] MUZ-HM09NA2-[U1] MUZ-HM09NAH-[U1]

MUZ-HM12NA-[U1], [U2] MUZ-HM12NA2-[U1] MUZ-HM12NAH-[U1]

**1-1. OUTDOOR UNIT STRUCTURAL PARTS AND FUNCTIONAL PARTS**



## 1-1. OUTDOOR UNIT STRUCTURAL PARTS AND FUNCTIONAL PARTS

1. The part quantity below indicates the required number of pieces per unit.

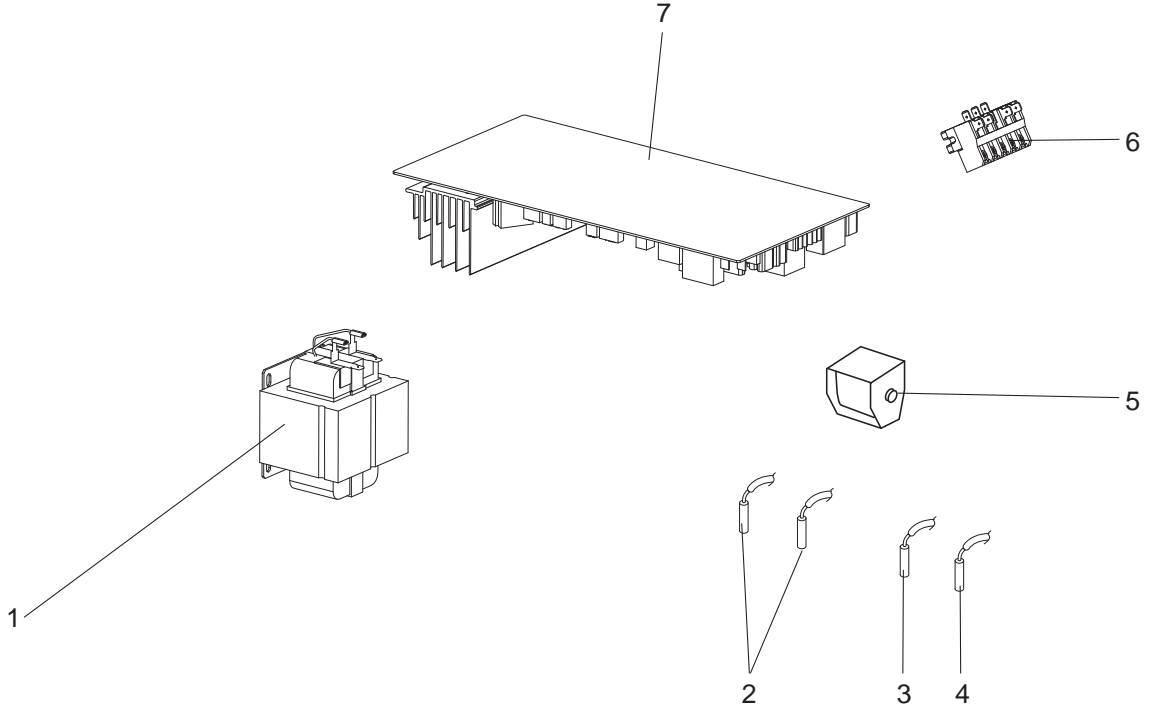
2. The circled No. indicates that the part is not shown in the figure.

No.	Part No.	Part name	MUZ-HM09NA-	MUZ-HM09NA2-	MUZ-HM09NA-	MUZ-HM09NAH-	MUZ-HM12NA-	MUZ-HM12NA2-	MUZ-HM12NA-	MUZ-HM12NAH-	Symbol in Wiring Diagram	Remarks	
			U1	U1	U2	U1	U1	U1	U2	U1			
1	U01 A01 232	CABINET	1	1	1	1	1	1	1	1			
2	U01 A01 531	ICE GUARD	1	1	1	1	1	1	1	1			
3	U01 A01 521	GRILLE	1	1			1	1					
3	U01 A02 521	GRILLE			1	1				1	1		
4	U01 M01 987	LOGO LABEL (MITSUBISHI)			1	1				1	1		
5	U01 A01 501	PROPELLER FAN	1	1	1	1	1	1	1	1			
6	U01 A02 290	BASE	1	1	1		1	1	1				
6	U01 A01 290	BASE				1				1			
7	U01 A03 900	COMPRESSOR (KNB073FRVMC)	1	1			1	1			MC	KNB073FRVMC	
7	U01 A07 900	COMPRESSOR (KNB073FRXMC)			1	1				1	1	MC	KNB073FRXMC
8	U01 A01 506	COMPRESSOR RUBBER SET	3	3	3	3	3	3	3	3		3 RUBBERS/SET	
9	U01 A01 661	STOP VALVE (GAS)	1	1	1	1	1	1	1	1		ø3/8 (ø9.52)	
10	U01 A01 662	STOP VALVE (LIQUID)	1	1	1	1	1	1	1	1		ø1/4 (ø6.35)	
11	U01 A01 245	SERVICE PANEL	1	1	1	1	1	1	1	1			
12	U01 A01 493	EXPANSION VALVE COIL	1	1	1	1	1	1	1	1	LEV		
13	U01 A01 233	BACK PANEL	1	1	1	1	1	1	1	1			
14	U01 A01 640	EXPANSION VALVE	1	1			1	1					
14	U01 001 401	EXPANSION VALVE			1	1				1	1		
15	U01 A03 079	THERMO HOLDER	1	1	1	1	1	1	1	1			
16	U01 A03 961	4-WAY VALVE	1	1			1	1					
16	U01 A04 961	4-WAY VALVE			1	1				1	1		
17	U01 A01 641	SERVICE PORT (L)	1	1	1	1	1	1	1	1		1 PC/SET	
18	U01 A02 641	SERVICE PORT (H)	1	1	1	1	1	1	1	1			
19	U01 A02 525	CONDENSER WIRE NET	1	1	1	1	1	1	1	1			
20	U01 A03 525	CONDENSER NET	1	1	1	1	1	1	1	1			
21	U01 A03 293	SEPARATOR	1	1			1	1					
21	U01 A06 293	SEPARATOR			1					1			
21	U01 A07 293	SEPARATOR				1				1			
22	U01 A02 515	MOTOR SUPPORT	1	1	1	1	1	1	1	1			
23	U01 A01 297	TOP PANEL	1	1	1	1	1	1	1	1			
24	U01 A02 630	OUTDOOR HEAT EXCHANGER	1	1			1	1					
24	U01 A06 630	OUTDOOR HEAT EXCHANGER			1	1				1	1		
25	U01 A01 301	OUTDOOR FAN MOTOR	1	1			1	1			MF	RC0J55-□□	
25	U01 A03 301	OUTDOOR FAN MOTOR			1	1				1	1	MF	RC0J55-□□
26	U01 A01 526	DEFROST HEATER				1				1	H		
27	U01 A01 381	HEATER PROTECTOR				1				1	26H		
②8	U01 A05 936	CAPILLARY TUBE	1	1	1	1	1	1	1	1		O.D. 0.118 × I.D. 0.055 × 10-1/4 (ø3.0 × ø1.4 × 260)	

MUZ-HM09NA-U1, U2 MUZ-HM09NA2-U1 MUZ-HM09NAH-U1

MUZ-HM12NA-U1, U2 MUZ-HM12NA2-U1 MUZ-HM12NAH-U1

1-2. OUTDOOR UNIT ELECTRICAL PARTS



## 1-2. OUTDOOR UNIT ELECTRICAL PARTS

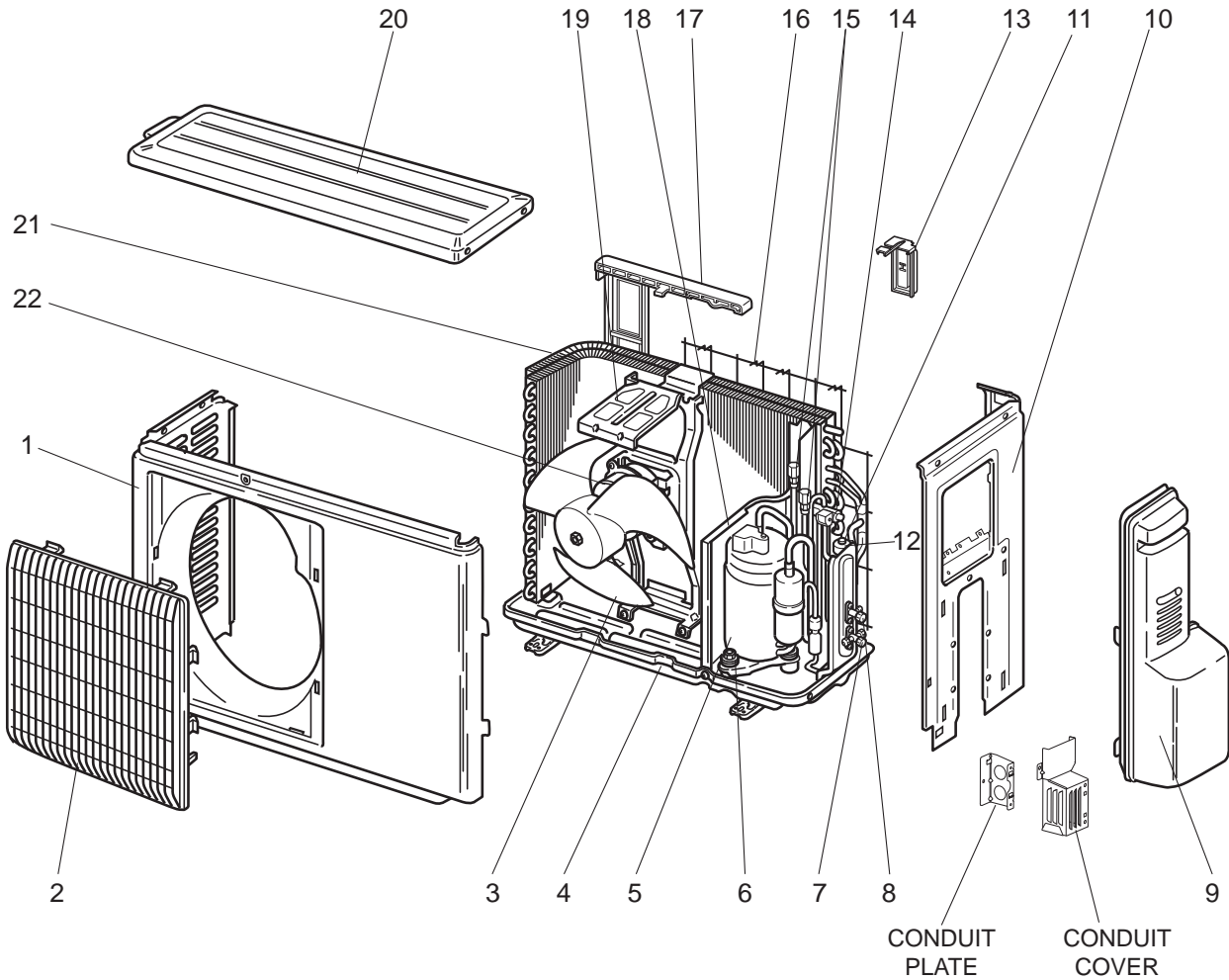
1. The part quantity below indicates the required number of pieces per unit.

No.	Part No.	Part name	MUZ-HM09NA- U1	MUZ-HM09NA2- U1	MUZ-HM09NA- U2	MUZ-HM09NAH- U1	MUZ-HM12NA- U1	MUZ-HM12NA2- U1	MUZ-HM12NA- U2	MUZ-HM12NAH- U1	Symbol in Wiring Diagram	Remarks
1	U01 A02 337	REACTOR	1	1	1	1	1	1	1	1	L61	
2	U01 A01 306	THERMISTOR SET	1	1	1	1	1	1	1	1	RT61, RT62	DEFROST, DISCHARGE
3	U01 A03 308	AMBIENT TEMPERATURE THERMISTOR	1	1	1	1	1	1	1	1	RT65	
4	U01 A02 307	OUTDOOR HEAT EXCHANGER TEMPERATURE THERMISTOR	1	1			1	1			RT68	
4	U01 A05 307	OUTDOOR HEAT EXCHANGER TEMPERATURE THERMISTOR			1	1			1	1	RT68	
5	U01 A01 490	R.V. COIL	1	1			1	1			21S4	
5	U01 A03 490	R.V. COIL			1	1			1	1	21S4	
6	U01 A01 374	TERMINAL BLOCK	1	1	1	1	1	1	1	1	TB	5 P
7	U01 A23 451	INVERTER P.C. BOARD	1	1								Includes heat sink and RT64
7	U01 A24 451	INVERTER P.C. BOARD					1	1				Includes heat sink and RT64
7	U01 A36 451	INVERTER P.C. BOARD			1	1						Includes heat sink and RT64
7	U01 A37 451	INVERTER P.C. BOARD							1	1		Includes heat sink and RT64

MUZ-HM09NA-U8 MUZ-HM09NA2-U8

MUZ-HM12NA-U8 MUZ-HM12NA2-U8

### 1-3. OUTDOOR UNIT STRUCTURAL PARTS AND FUNCTIONAL PARTS



### 1-3. OUTDOOR UNIT STRUCTURAL PARTS AND FUNCTIONAL PARTS

1. The part quantity below indicates the required number of pieces per unit.

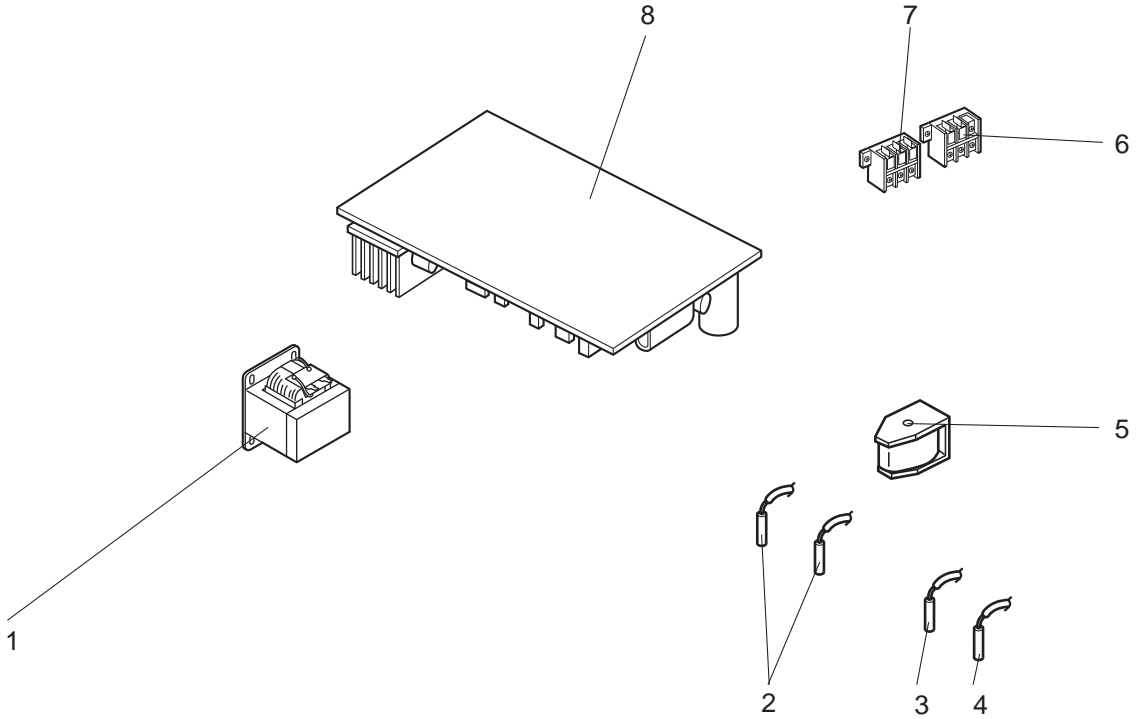
2. The circled No. indicates that the part is not shown in the figure.

No.	Part No.	Part name					Symbol in Wiring Diagram	Remarks
			MUZ-HM09NA- U8	MUZ-HM09NA2- U8	MUZ-HM12NA- U8	MUZ-HM12NA2- U8		
1	E12 927 232	CABINET	1	1	1	1		
2	E12 927 521	GRILLE	1	1	1	1		
3	E12 927 501	PROPELLER FAN	1	1	1	1		
4	E12 A82 290	BASE	1	1	1	1		
5	E12 E79 900	COMPRESSOR	1	1			MC	KNB073FQDHC
5	E12 E80 900	COMPRESSOR			1	1	MC	KNB092FQAHC
6	E12 065 506	COMPRESSOR RUBBER SET	3	3	3	3		3 RUBBERS/SET
7	E12 A54 661	STOP VALVE (GAS)	1	1	1	1		ø3/8 (ø9.52)
8	E12 T95 662	STOP VALVE (LIQUID)	1	1				ø1/4 (ø6.35)
8	E12 927 662	STOP VALVE (LIQUID)			1	1		ø1/4 (ø6.35)
9	E12 A49 245	SERVICE PANEL	1	1	1	1		
10	E12 E79 233	BACK PANEL	1	1	1	1		
11	E12 927 640	EXPANSION VALVE	1	1	1	1		
12	E12 927 493	EXPANSION VALVE COIL	1	1	1	1	LEV	
13	E12 928 079	THERMO HOLDER	1	1				
13	E12 930 079	THERMO HOLDER			1	1		
14	E12 A54 961	4-WAY VALVE	1	1	1	1		
15	E12 E79 641	SERVICE PORT	2	2	2	2		1 PC/SET
16	E12 928 523	CONDENSER NET	1	1				
16	E12 930 523	CONDENSER NET			1	1		
17	E12 928 525	CONDENSER WIRE NET	1	1				
17	E12 930 525	CONDENSER WIRE NET			1	1		
18	E12 D69 293	SEPARATOR	1	1				
18	E12 C34 293	SEPARATOR			1	1		
19	E12 929 515	MOTOR SUPPORT			1	1		
19	E12 927 515	MOTOR SUPPORT	1	1				
20	E12 927 297	TOP PANEL	1	1	1	1		
21	E12 Y08 630	OUTDOOR HEAT EXCHANGER	1	1				
21	E12 Y10 630	OUTDOOR HEAT EXCHANGER			1	1		
22	E12 E79 301	OUTDOOR FAN MOTOR	1	1	1	1	MF	RC0J55-□□
②3	E12 927 937	CAPILLARY TUBE	1	1	1	1		O.D. 0.118 × I.D. 0.079 × 9-7/16 (ø3.0 × ø2.0 × 240)
②4	E12 735 936	CAPILLARY TUBE			2	2		O.D. 0.118 × I.D. 0.071 × 23-5/8 (ø3.0 × ø1.8 × 600)

MUZ-HM09NA-U8 MUZ-HM09NA2-U8

MUZ-HM12NA-U8 MUZ-HM12NA2-U8

1-4. OUTDOOR UNIT ELECTRICAL PARTS





## 1-4. OUTDOOR UNIT ELECTRICAL PARTS

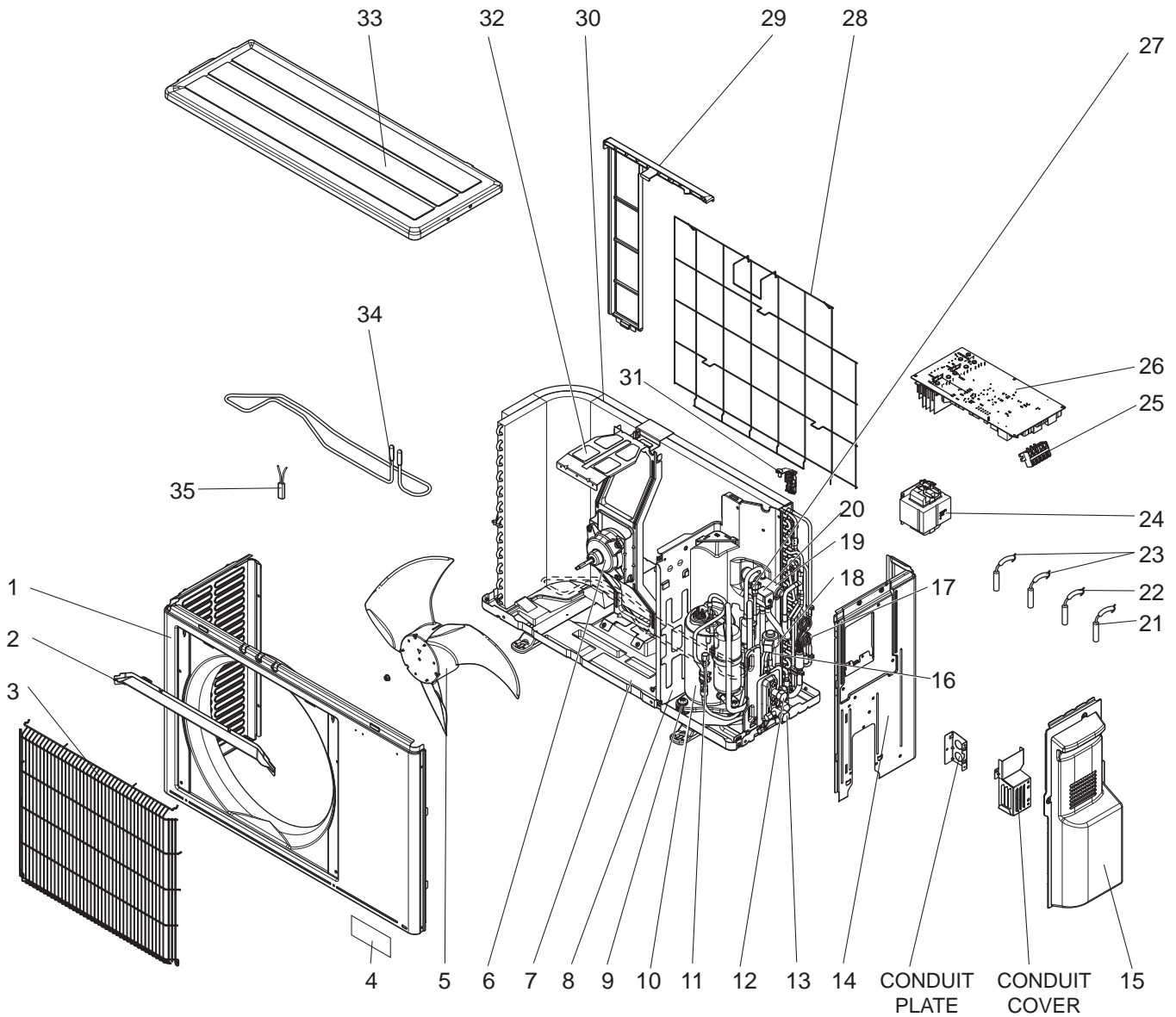
1. The part quantity below indicates the required number of pieces per unit.

No.	Part No.	Part name	MUZ-HM09NA- U8	MUZ-HM09NA2- U8	MUZ-HM12NA- U8	MUZ-HM12NA2- U8	Symbol in Wiring Diagram	Remarks
1	E12 G10 337	REACTOR	1	1			L61	
1	E12 838 337	REACTOR			1	1	L61	
2	E12 C34 306	THERMISTOR SET	1	1	1	1	RT61, RT62	DEFROST, DISCHARGE
3	E12 927 308	AMBIENT TEMPERATURE THERMISTOR	1	1	1	1	RT65	
4	E12 C34 307	OUTDOOR HEAT EXCHANGER TEMPERATURE THERMISTOR	1	1	1	1	RT68	
5	E12 C85 490	R.V. COIL	1	1	1	1	21S4	
6	E12 A53 374	TERMINAL BLOCK	1	1	1	1	TB1	2 P
7	E12 927 374	TERMINAL BLOCK	1	1	1	1	TB2	3 P
8	E12 N38 451	INVERTER P.C. BOARD	1	1				Includes heat sink and RT64
8	E12 N39 451	INVERTER P.C. BOARD			1	1		Includes heat sink and RT64

MUZ-HM15NA-U1, U2 MUZ-HM15NA2-U1 MUZ-HM15NAH-U1

MUZ-HM18NA-U1, U2 MUZ-HM18NA2-U1 MUZ-HM18NAH-U1

### 1-5. OUTDOOR UNIT STRUCTURAL PARTS, ELECTRICAL PARTS AND FUNCTIONAL PARTS



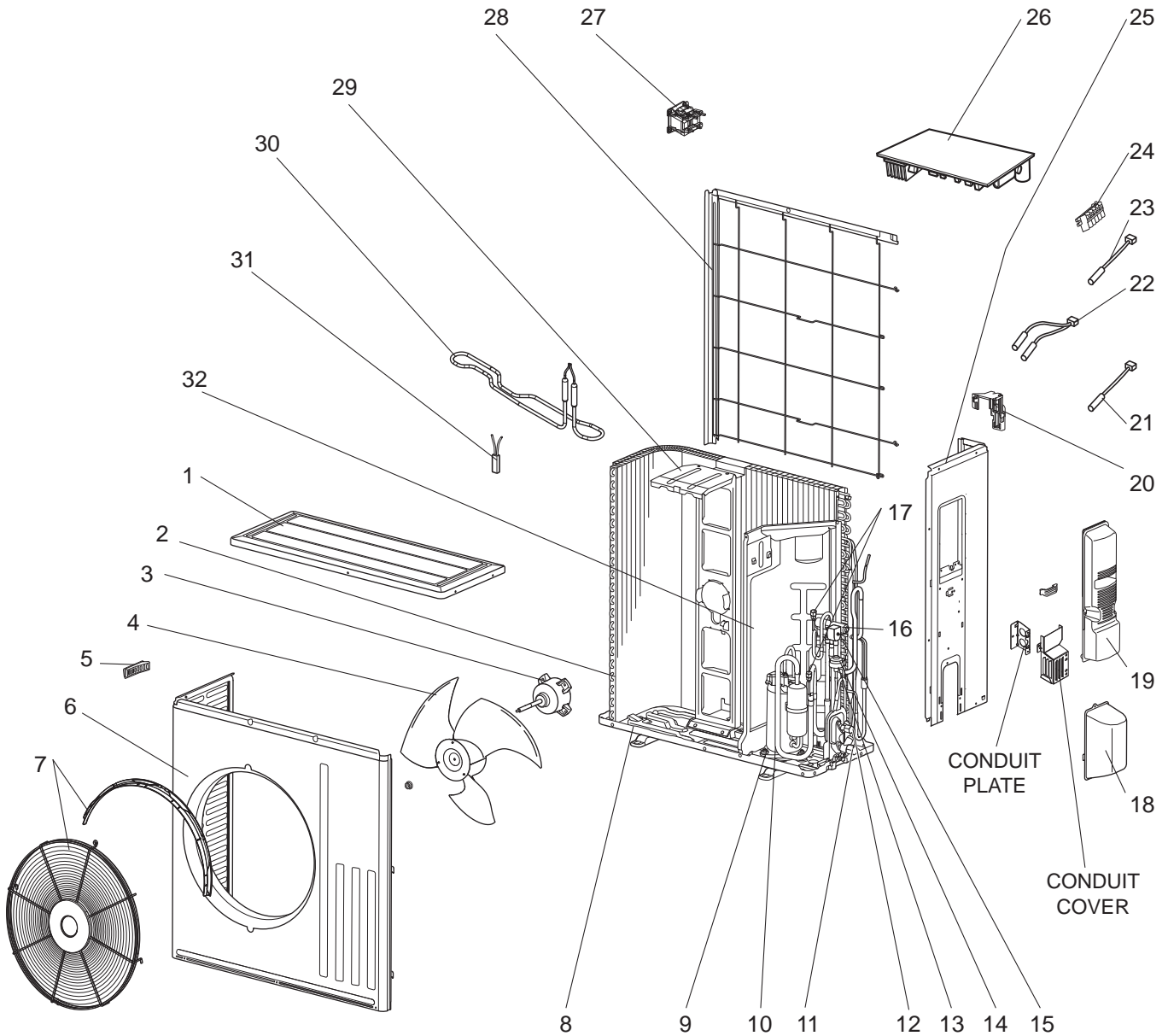
## 1-5. OUTDOOR UNIT STRUCTURAL PARTS, ELECTRICAL PARTS AND FUNCTIONAL PARTS

1. The part quantity below indicates the required number of pieces per unit.

2. The circled No. indicates that the part is not shown in the figure.

No.	Part No.	Part Name	MUZ-HM15NA- U1	MUZ-HM15NA2- U1	MUZ-HM15NA- U2	MUZ-HM15NAH- U1	MUZ-HM18NA- U1	MUZ-HM18NA2- U1	MUZ-HM18NA- U2	MUZ-HM18NAH- U1	Symbol in Wiring Diagram	Remarks
1	U01 A01 232	CABINET	1	1	1	1	1	1	1	1		
2	U01 A01 531	ICE GUARD	1	1	1	1	1	1	1	1		
3	U01 A01 521	GRILLE	1	1			1	1				
3	U01 A02 521	GRILLE			1	1			1	1		
4	U01 M01 987	LOGO LABEL (MITSUBISHI)			1	1			1	1		
5	U01 A01 501	PROPELLER FAN	1	1	1	1	1	1	1	1		
6	U01 A01 301	OUTDOOR FAN MOTOR	1	1			1	1			MF	RC0J55-□□
6	U01 A03 301	OUTDOOR FAN MOTOR			1	1			1	1	MF	RC0J55-□□
7	U01 A02 290	BASE	1	1	1		1	1	1			
7	U01 A01 290	BASE				1				1		
8	U01 A08 293	SEPARATOR	1	1	1		1	1	1			
8	U01 A09 293	SEPARATOR				1				1		
9	U01 A01 506	COMPRESSOR RUBBER SET	3	3	3	3	3	3	3	3		3 RUBBERS/SET
10	U01 A04 900	COMPRESSOR (SNB130FQBMT)	1	1	1	1	1	1	1	1	MC	SNB130FQBMT
11	U01 A01 641	SERVICE PORT (L)	1	1	1	1	1	1	1	1		
12	U01 A01 662	STOP VALVE (LIQ)	1	1	1	1	1	1	1	1		ø1/4 (ø6.35)
13	U01 A02 661	STOP VALVE (GAS)	1	1	1	1	1	1	1	1		ø1/2 (ø12.7)
14	U01 A01 233	BACK PANEL	1	1	1	1	1	1	1	1		
15	U01 A01 245	SERVICE PANEL	1	1	1	1	1	1	1	1		
16	U01 A01 640	EXPANSION VALVE	1	1			1	1				
16	U01 001 401	EXPANSION VALVE			1	1			1	1		
17	U01 A01 936	CAPILLARY TUBE	4	4	4	4	4	4	4	4		O.D. 0.118 × I.D. 0.079 × 8-9/32 (ø3.0 × ø2.0 × 210)
18	U01 A01 493	EXPANSION VALVE COIL	1	1	1	1	1	1	1	1	LEV	
19	U01 A01 961	4-WAY VALVE	1	1	1	1	1	1	1	1		
20	U01 A01 490	R.V. COIL	1	1	1	1	1	1	1	1	21S4	
21	U01 A03 308	AMBIENT TEMPERATURE THERMISTOR	1	1	1	1	1	1	1	1	RT65	
22	U01 A02 307	OUTDOOR HEAT EXCHANGER TEMPERATURE THERMISTOR	1	1	1	1	1	1	1	1	RT68	
23	U01 A01 306	THERMISTOR SET	1	1	1	1	1	1	1	1	RT61, RT62	DEFROST, DISCHARGE TEMPERATURE
24	U01 A01 337	REACTOR	1	1	1	1	1	1	1	1	L61	
25	U01 A01 374	TERMINAL BLOCK	1	1	1	1	1	1	1	1	TB	5 P
26	U01 A16 451	INVERTER P.C. BOARD	1	1								Includes heat sink and RT64
26	U01 A17 451	INVERTER P.C. BOARD					1	1				Includes heat sink and RT64
26	U01 A38 451	INVERTER P.C. BOARD			1	1						Includes heat sink and RT64
26	U01 A39 451	INVERTER P.C. BOARD							1	1		Includes heat sink and RT64
27	U01 A02 641	SERVICE PORT (H)	1	1	1	1	1	1	1	1		
28	U01 A01 525	CONDENSER WIRE NET	1	1	1	1	1	1	1	1		
29	U01 A01 523	CONDENSER NET	1	1	1	1	1	1	1	1		
30	U01 A01 630	OUTDOOR HEAT EXCHANGER	1	1	1	1	1	1	1	1		
31	U01 A02 079	THERMO HOLDER	1	1	1	1	1	1	1	1		
32	U01 A01 515	MOTOR SUPPORT	1	1	1	1	1	1	1	1		
33	U01 A01 297	TOP PANEL	1	1	1	1	1	1	1	1		
34	U01 A01 526	DEFROST HEATER				1				1	H	
35	U01 A01 381	HEATER PROTECTOR				1				1	26H	
③6	U01 A02 936	CAPILLARY TUBE	1	1	1	1	1	1	1	1		O.D. 0.157 × I.D. 0.094 × 9-7/16 (ø4.0 × ø2.4 × 240)

**MUZ-HM24NA MUZ-HM24NA2 MUZ-HM24NAH**  
**1-6. OUTDOOR UNIT STRUCTURAL PARTS, ELECTRICAL PARTS AND FUNCTIONAL PARTS**



## 1-6. OUTDOOR UNIT STRUCTURAL PARTS, ELECTRICAL PARTS AND FUNCTIONAL PARTS

1. The part quantity below indicates the required number of pieces per unit.

2. The circled No. indicates that the part is not shown in the figure.

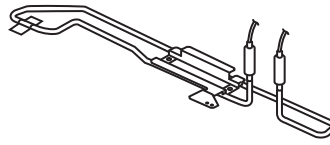
No.	Part No.	Part Name	MUZ-HM24NA- <sup>[U1]</sup>	MUZ-HM24NA- <sup>[U2]</sup>	MUZ-HM24NA2- <sup>[U1]</sup>	MUZ-HM24NAH- <sup>[U1]</sup>	Symbol in Wiring Diagram	Remarks
1	E22 L87 297	TOP PANEL	1	1	1	1		
2	E22 N94 630	OUTDOOR HEAT EXCHANGER	1	1	1	1		
3	E22 N87 301	OUTDOOR FAN MOTOR	1	1	1	1	MF	RC0J77-□□
4	E22 F28 501	PROPELLER FAN	1	1	1	1		
5	E22 817 009	HANDLE	1	1	1	1		
6	E22 N94 232	CABINET	1	1	1	1		
7	E22 L87 521	FAN GUARD	1	1	1	1		Includes ice guard
8	E22 F28 290	BASE	1	1	1			
8	E22 H25 290	BASE				1		
9	E22 C34 506	COMPRESSOR RUBBER SET	3	3	3	3		3 RUBBERS/SET
10	E22 N94 900	COMPRESSOR	1	1	1	1	MC	SNB130FQBMT
11	E22 F76 661	STOP VALVE (GAS)	1	1	1	1		ø5/8 (ø15.88)
12	E22 F29 662	STOP VALVE (LIQUID)	1	1	1	1		ø3/8 (ø9.52)
13	E22 851 640	EXPANSION VALVE	1	1	1	1		
14	E22 F28 493	EXPANSION VALVE COIL	1	1	1	1	LEV	
15	E22 N91 490	R.V. COIL	1	1	1	1	21S4	
16	E22 A56 961	4-WAY VALVE	1	1	1	1		
17	E22 E79 641	SERVICE PORT	2	2	2			1PC/SET
17	————	SERVICE PORT				2		BH50D129H01
18	E22 F28 650	VALVE COVER	1	1	1	1		
19	E22 N94 245	SERVICE PANEL	1	1	1	1		
20	E22 F28 079	THERMO HOLDER	1	1	1	1		
21	E22 G16 309	AMBIENT TEMPERATURE THERMISTOR	1	1	1	1	RT65	
22	E22 G16 308	THERMISTOR SET	1	1	1	1	RT61, RT62	DEFROST, DISCHARGE TEMPERATURE
23	E22 G16 307	OUTDOOR HEAT EXCHANGER TEMPERATURE THERMISTOR	1	1	1	1	RT68	
24	E22 L85 374	TERMINAL BLOCK	1	1	1	1	TB	5 P
25	E22 N94 233	BACK PANEL	1	1	1	1		
26	E22 N93 451	INVERTER P.C. BOARD	1	1	1	1		Includes heat sink and RT64
27	E22 H21 337	REACTOR	1	1	1	1	L61	
28	E22 L87 523	CONDENSER NET	1	1	1	1		
29	E22 F28 515	MOTOR SUPPORT	1	1	1	1		
30	E22 39F 526	DEFROST HEATER				1	H	Includes 26H
31	E22 J52 381	HEATER PROTECTOR				1	26H	
32	E27 M63 293	SEPARATOR				1		
③③	E22 262 936	CAPILLARY TUBE	1	1	1	1		O.D. 0.157 × I.D. 0.094 × 7-7/8 (ø4.0 × ø2.4 × 200)
③④	E22 838 936	CAPILLARY TUBE	4	4	4	4		O.D. 0.118 × I.D. 0.079 × 7-7/8 (ø3.0 × ø2.0 × 200)
③⑤	E22 527 936	CAPILLARY TUBE	1	1	1	1		O.D. 0.157 × I.D. 0.094 × 3-15/16 (ø4.0 × ø2.4 × 100)

# 2

# OPTIONAL PARTS

## 2-1. DEFROST HEATER

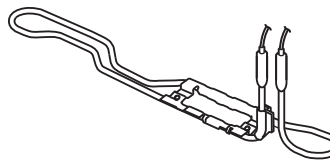
Model	Parts No.
MUZ-HM09NA	MAC-640BH-U
MUZ-HM09NA2	
MUZ-HM12NA	
MUZ-HM12NA2	
MUZ-HM15NA	
MUZ-HM15NA2	
MUZ-HM18NA	
MUZ-HM18NA2	



### Components

① Defrost heater	1	④ Cable tie	1
② Aluminum tape	1	⑤ Self drilling screw	2
③ Heater support	1	⑥ Insulation	1

Model	Parts No.
MUZ-HM24NA	MAC-642BH-U1
MUZ-HM24NA2	



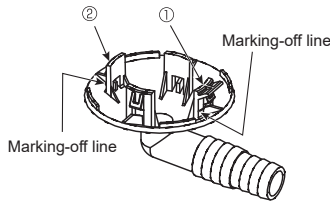
### Components

① Defrost heater	1	④ Cable clamp	1
② Heater support	1	⑤ Self drilling screw	2
③ Cable tie	1	⑥ Wiring diagram	1

**Note:** Refer to the installation manual for the installation.

## 2-2. DRAIN SOCKET

Model	Parts No.
MUZ-HM09NA	MAC-860DS
MUZ-HM09NA2	
MUZ-HM12NA	
MUZ-HM12NA2	
MUZ-HM15NA	
MUZ-HM15NA2	
MUZ-HM18NA	
MUZ-HM18NA2	
MUZ-HM24NA	
MUZ-HM24NA2	



### Installing a Drain Socket

For  $\Phi$  1-5/8 ( $\Phi$  42) hole

Put the tab ① in the hole first, and then the tab ②.

# MITSUBISHI ELECTRIC CORPORATION

HEAD OFFICE: TOKYO BUILDING, 2-7-3, MARUNOUCHI, CHIYODA-KU, TOKYO 100-8310, JAPAN

© Copyright 2015 MITSUBISHI ELECTRIC CORPORATION

Issued: Feb. 2021. No. OBB747 REVISED EDITION-D

Issued: Mar. 2019. No. OBB747 REVISED EDITION-C

Issued: Feb. 2017. No. OBB747 REVISED EDITION-B

Issued: Feb. 2016. No. OBB747 REVISED EDITION-A

Published: Dec. 2015. No. OBB747

Made in Japan

Specifications are subject to change without notice.