

Revision G:

• MUZ-GL09/12/15NA(H)-U2 and
MUY-GL09/12/15NA-U2 have been added.

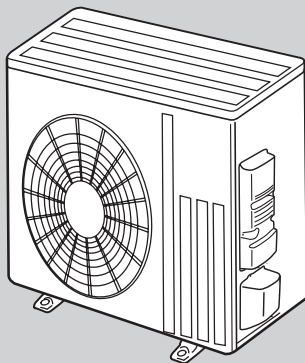
OBB733 REVISED EDITION-F is void.

OUTDOOR UNIT PARTS CATALOG

**No. OBB733
REVISED EDITION-G**

Models

| | | |
|--|---|------------------------------------|
| MUZ-GL09NA · <u>U1</u> , <u>U2</u> , <u>U8</u> | MUZ-GL09NAH · <u>U1</u> , <u>U2</u> , <u>U8</u> | MUY-GL09NA · <u>U1</u> , <u>U2</u> |
| MUZ-GL12NA · <u>U1</u> , <u>U2</u> | MUZ-GL12NAH · <u>U1</u> , <u>U2</u> | MUY-GL12NA · <u>U1</u> , <u>U2</u> |
| MUZ-GL15NA · <u>U1</u> , <u>U2</u> | MUZ-GL15NAH · <u>U1</u> , <u>U2</u> | MUY-GL15NA · <u>U1</u> , <u>U2</u> |
| MUZ-GL18NA · <u>U1</u> | MUZ-GL18NAH · <u>U1</u> | MUY-GL18NA · <u>U1</u> |
| MUZ-GL24NA · <u>U1</u> , <u>U2</u> | MUZ-GL24NAH · <u>U1</u> | MUY-GL24NA · <u>U1</u> |



**MUZ-GL18/24NA
MUZ-GL18/24NAH
MUY-GL18/24NA**

CONTENTS

| | |
|----------------------------|----|
| 1. SERVICE PARTS LIST..... | 2 |
| 2. OPTIONAL PARTS..... | 10 |

SERVICE MANUAL (OBH733)

Revision A:

- MUZ-GL12/15NA-U1, MUZ-GL12/15NAH-U1 and MUY-GL09/12/15NA-U1 have been added.

Revision B:

- MUZ-GL09NA-U8 and MUZ-GL09NAH-U8 have been added.

Revision C:

- MUZ-GL09NA-U1 and MUZ-GL09NAH-U1 have been added.

Revision D:

- MUZ-GL24NAH-U1 has been added.

Revision E:

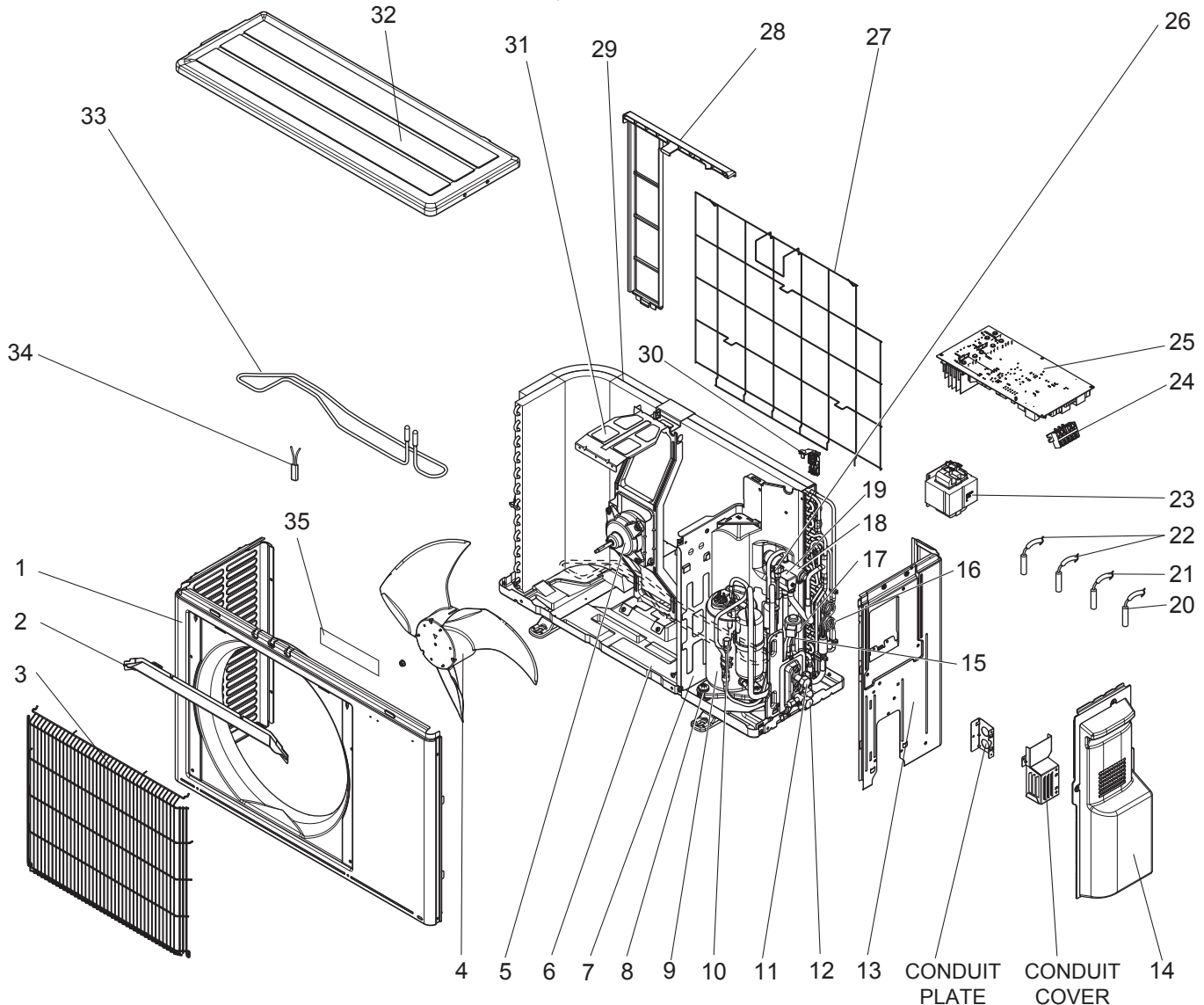
- Parts number of the outdoor heat exchanger temperature thermistor and the discharge temperature thermistor for MUY-GL18NA-U1 have been changed.

Revision F:

- MUZ-GL24NA-U2 has been added.

Revision G:

- MUZ-GL09/12/15NA(H)-U2 and MUY-GL09/12/15NA-U2 have been added.

1**SERVICE PARTS LIST**MUZ-GL09NA - U1, U8MUZ-GL09NAH - U1, U8MUY-GL09NA - U1MUZ-GL12NA - U1MUZ-GL12NAH - U1MUY-GL12NA - U1MUZ-GL15NA - U1MUZ-GL15NAH - U1MUY-GL15NA - U1**1-1. OUTDOOR UNIT STRUCTURAL PARTS, ELECTRICAL PARTS AND FUNCTIONAL PARTS**

1-1. OUTDOOR UNIT STRUCTURAL PARTS, ELECTRICAL PARTS AND FUNCTIONAL PARTS

Part number that is circled is not shown in the illustration.

| No. | Part No. | Part Name | Symbol in Wiring Diagram | Q'ty/unit | | | | | | | | | | | | Remarks |
|-----|---|-----------------------------------|--------------------------|-----------|--------|--------|--------|--------|--------|--------|--------|--------|--------|--------|--------|---|
| | | | | MUZ-GL | | | | | | MUY-GL | | | | | | |
| | | | | 09 NA | 09 NAH | 09 NA | 09 NAH | 12 NA | 12 NAH | 15 NA | 15 NAH | 09 NA | 12 NA | 15 NA | | |
| | | | | - [U1] | - [U1] | - [U8] | - [U8] | - [U1] | - [U1] | - [U1] | - [U1] | - [U1] | - [U1] | - [U1] | - [U1] | |
| 1 | U01 A01 232 | CABINET | | 1 | 1 | 1 | 1 | 1 | 1 | 1 | 1 | 1 | 1 | 1 | 1 | |
| 2 | U01 A01 531 | ICE GUARD | | 1 | 1 | 1 | 1 | 1 | 1 | 1 | 1 | 1 | 1 | 1 | 1 | |
| 3 | U01 A01 521 | GRILLE | | 1 | 1 | 1 | 1 | 1 | 1 | 1 | 1 | 1 | 1 | 1 | 1 | |
| 4 | U01 A01 501 | PROPELLER FAN | | 1 | 1 | 1 | 1 | 1 | 1 | 1 | 1 | 1 | 1 | 1 | 1 | |
| 5 | U01 A01 301 | OUTDOOR FAN MOTOR | MF | 1 | 1 | 1 | 1 | 1 | 1 | 1 | 1 | 1 | 1 | 1 | 1 | RC0J55-□□ |
| 6 | U01 A02 290 U01 A01 290 | BASE | | 1 | 1 | 1 | 1 | 1 | 1 | 1 | 1 | 1 | 1 | 1 | 1 | |
| 7 | U01 A02 293 U01 A01 293 | SEPARATOR | | 1 | 1 | 1 | 1 | 1 | 1 | 1 | 1 | 1 | 1 | 1 | 1 | |
| 8 | U01 A01 506 | COMP. RUBBER SET | | 3 | 3 | 3 | 3 | 3 | 3 | 3 | 3 | 3 | 3 | 3 | 3 | 3 RUBBERS/SET |
| 9 | U01 A03 900 | COMPRESSOR (KNB073FRVMC) | | 1 | 1 | | | | | | | 1 | | | | KNB073FRVMC |
| | U01 A01 900 | COMPRESSOR (SNB092FQAMT) | MC | | | 1 | 1 | 1 | 1 | | | | 1 | | | SNB092FQAMT |
| | U01 A04 900 | COMPRESSOR (SNB130FQBMT) | | | | | | | | 1 | 1 | | | 1 | | SNB130FQBMT |
| 10 | U01 A01 641 | SERVICE PORT (L) | | 1 | 1 | 1 | 1 | 1 | 1 | 1 | 1 | 1 | 1 | 1 | 1 | |
| 11 | U01 A01 662 | STOP VALVE (LIQ) | | 1 | 1 | 1 | 1 | 1 | 1 | 1 | 1 | 1 | 1 | 1 | 1 | ø1/4 (ø6.35) |
| 12 | U01 A02 661 U01 A01 661 | STOP VALVE (GAS) | | 1 | 1 | 1 | 1 | 1 | 1 | | 1 | 1 | | 1 | 1 | ø1/2 (ø12.7) |
| | | | | | | | | | | | | | | | | ø3/8 (ø9.52) |
| 13 | U01 A01 233 | BACK PANEL | | 1 | 1 | 1 | 1 | 1 | 1 | 1 | 1 | 1 | 1 | 1 | 1 | |
| 14 | U01 A01 245 | SERVICE PANEL | | 1 | 1 | 1 | 1 | 1 | 1 | 1 | 1 | 1 | 1 | 1 | 1 | |
| 15 | U01 A01 640 | EXPANSION VALVE | | 1 | 1 | 1 | 1 | 1 | 1 | 1 | 1 | 1 | 1 | 1 | 1 | |
| 16 | U01 A01 936 | CAPILLARY TUBE | | 4 | 4 | 4 | 4 | 4 | 4 | 4 | 4 | 4 | 4 | 4 | 4 | O.D. 0.118 × I.D. 0.079 × 8-9/32 (ø3.0 × ø2.0 × 210) |
| 17 | U01 A01 493 | EXPANSION VALVE COIL | LEV | 1 | 1 | 1 | 1 | 1 | 1 | 1 | 1 | 1 | 1 | 1 | 1 | |
| 18 | U01 A02 961 U01 A01 961 | 4-WAY VALVE | | 1 | 1 | | | | | | | | | | | |
| 19 | U01 A01 490 | R.V. COIL | 21S4 | 1 | 1 | 1 | 1 | 1 | 1 | 1 | 1 | | | | | |
| 20 | U01 A03 308 | AMBIENT TEMPERATURE THERMISTOR | RT65 | 1 | 1 | 1 | 1 | 1 | 1 | 1 | 1 | 1 | 1 | 1 | 1 | |
| 21 | U01 A02 307 | OUTDOOR HEAT EXC. TEMP THERMISTOR | RT68 | 1 | 1 | 1 | 1 | 1 | 1 | 1 | 1 | 1 | 1 | 1 | 1 | |
| 22 | U01 A01 306 | THERMISTOR SET | RT61, RT62 | 1 | 1 | 1 | 1 | 1 | 1 | 1 | 1 | | | | | DEFROST, DISCHARGE TEMPERATURE |
| | U01 A01 309 | DISCHARGE TEMPERATURE THERMISTOR | RT62 | | | | | | | | | 1 | 1 | 1 | | |
| 23 | U01 A02 337 U01 A01 337 | REACTOR | L61 | 1 | 1 | | | | | | | 1 | | | | |
| 24 | U01 A01 374 | TERMINAL BLOCK | TB | 1 | 1 | 1 | 1 | 1 | 1 | 1 | 1 | 1 | 1 | 1 | 1 | 5 P |
| 25 | U01 A10 451 U01 A07 451 U01 A17 451 U01 A16 451 U01 A08 451 U01 A09 451 U01 A11 451 U01 A12 451 U01 A13 451 U01 A14 451 U01 A15 451 | INVERTER P.C. BOARD | | 1 | 1 | 1 | 1 | 1 | 1 | 1 | 1 | 1 | 1 | 1 | 1 | Including heat sink and RT64 |
| 26 | U01 A02 641 | SERVICE PORT (H) | | 1 | 1 | 1 | 1 | 1 | 1 | 1 | 1 | 1 | 1 | 1 | 1 | |
| 27 | U01 A01 525 | CONDENSER WIRE NET | | 1 | 1 | 1 | 1 | 1 | 1 | 1 | 1 | 1 | 1 | 1 | 1 | |
| 28 | U01 A01 523 | CONDENSER NET | | 1 | 1 | 1 | 1 | 1 | 1 | 1 | 1 | 1 | 1 | 1 | 1 | |
| 29 | U01 A01 630 | OUTDOOR HEAT EXCHANGER | | 1 | 1 | 1 | 1 | 1 | 1 | 1 | 1 | 1 | 1 | 1 | 1 | |
| 30 | U01 A02 079 | THERMO HOLDER | | 1 | 1 | 1 | 1 | 1 | 1 | 1 | 1 | 1 | 1 | 1 | 1 | |
| 31 | U01 A01 515 | MOTOR SUPPORT | | 1 | 1 | 1 | 1 | 1 | 1 | 1 | 1 | 1 | 1 | 1 | 1 | |
| 32 | U01 A01 297 | TOP PANEL | | 1 | 1 | 1 | 1 | 1 | 1 | 1 | 1 | 1 | 1 | 1 | 1 | |
| 33 | U01 A01 526 | DEFROST HEATER | H | | 1 | 1 | 1 | 1 | 1 | 1 | 1 | | | | | Including lead assembly |
| 34 | U01 A01 381 | HEATER PROTECTOR | 26H | | 1 | 1 | 1 | 1 | 1 | 1 | 1 | | | | | |
| 35 | U01 M01 987 | LOGO LABEL | | 1 | 1 | 1 | 1 | 1 | 1 | 1 | 1 | 1 | 1 | 1 | 1 | |
| 36 | U01 A03 936 | CAPILLARY TUBE | | 1 | 1 | | | | | | | | | | | O.D. 0.118 × I.D. 0.079 × 9-7/16 (ø3.0 × ø2.0 × 240) |
| | U01 A02 936 | CAPILLARY TUBE | | | | 1 | 1 | 1 | 1 | 1 | 1 | 1 | 1 | 1 | 1 | O.D. 0.157 × I.D. 0.094 × 9-7/16 (ø4.0 × ø2.4 × 240) |

SERVICE PARTS LIST

MUZ-GL09NA - U2

MUZ-GL09NAH - U2

MUY-GL09NA - U2

MUZ-GL12NA - U2

MUZ-GL12NAH - U2

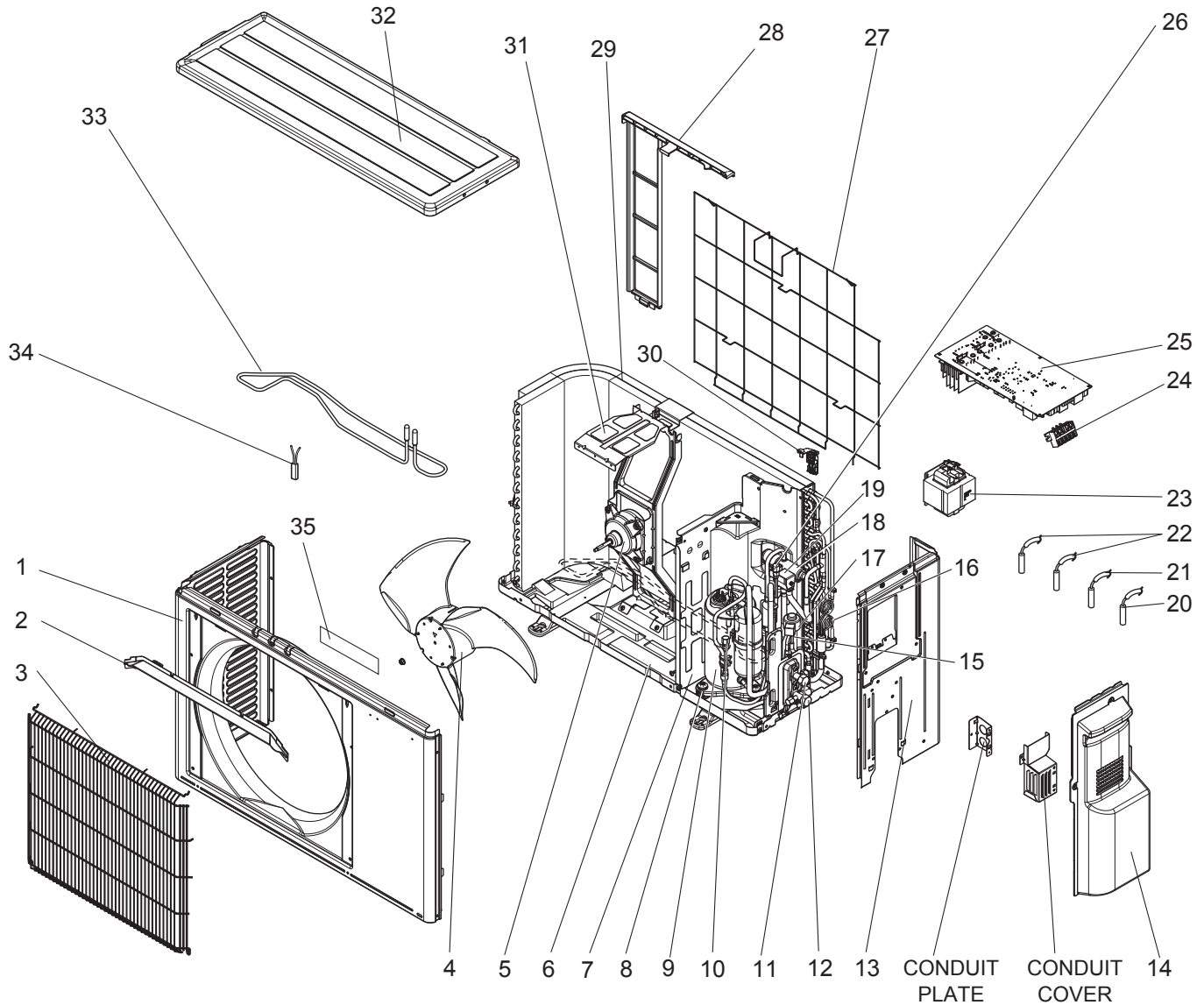
MUY-GL12NA - U2

MUZ-GL15NA - U2

MUZ-GL15NAH - U2

MUY-GL15NA - U2

1-2. OUTDOOR UNIT STRUCTURAL PARTS, ELECTRICAL PARTS AND FUNCTIONAL PARTS



1-2. OUTDOOR UNIT STRUCTURAL PARTS, ELECTRICAL PARTS AND FUNCTIONAL PARTS

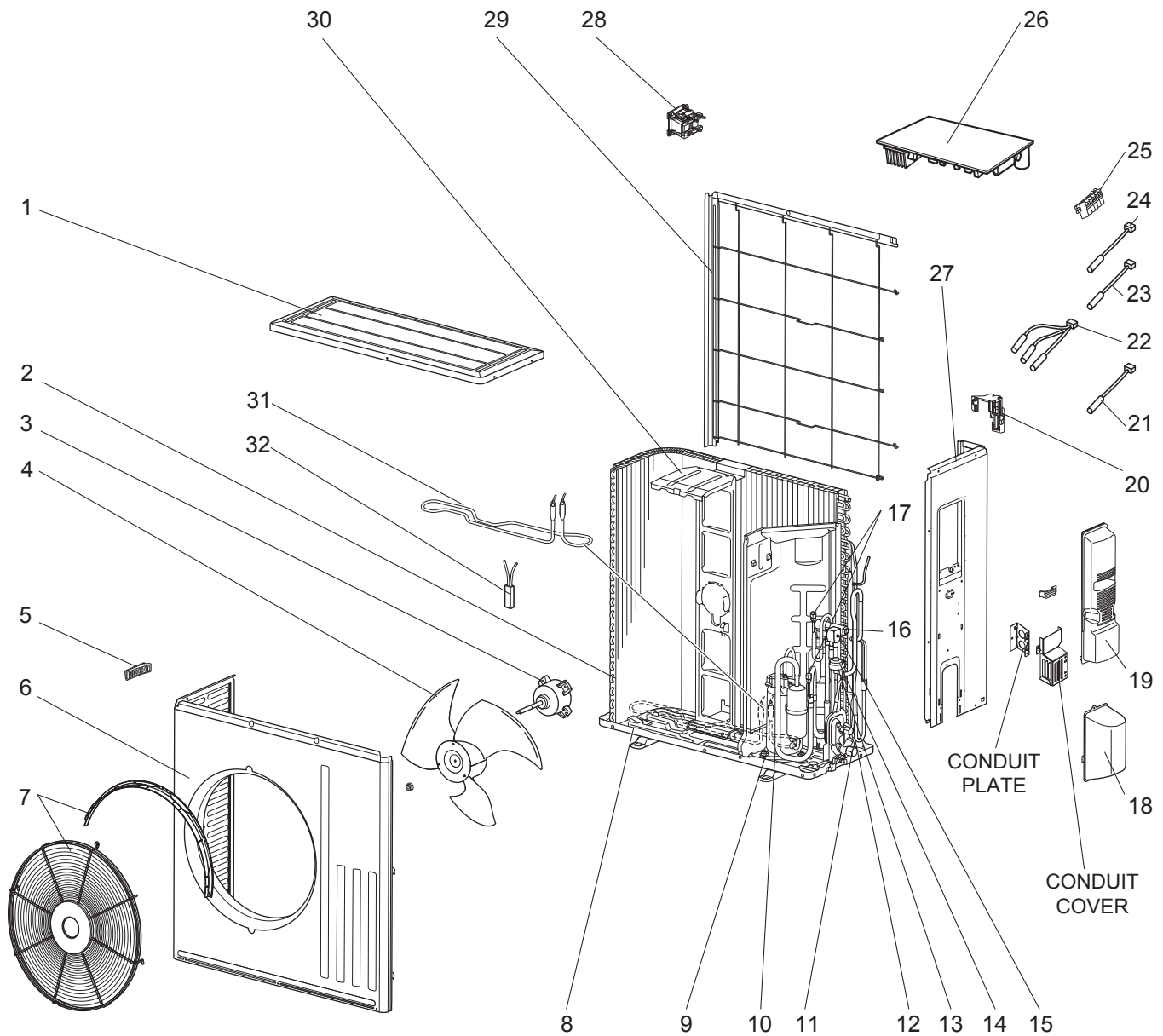
Part number that is circled is not shown in the illustration.

| No. | Part No. | Part Name | Symbol in Wiring Diagram | Q'ty/unit | | | | | | | | | Remarks | |
|-------------|----------------------------|-----------------------------------|--------------------------|-----------|--------|--------|--------|--------|--------|--------|--------|--------|--------------|---|
| | | | | MUZ-GL | | | | | | MUY-GL | | | | |
| | | | | 09 NA | 09 NAH | 12 NA | 12 NAH | 15 NA | 15 NAH | 09 NA | 12 NA | 15 NA | | |
| | | | | - [U2] | - [U2] | - [U2] | - [U2] | - [U2] | - [U2] | - [U2] | - [U2] | - [U2] | - [U2] | |
| 1 | U01 A01 232 | CABINET | | 1 | 1 | 1 | 1 | 1 | 1 | 1 | 1 | 1 | 1 | |
| 2 | U01 A01 531 | ICE GUARD | | 1 | 1 | 1 | 1 | 1 | 1 | 1 | 1 | 1 | 1 | |
| 3 | U01 A02 521 | GRILLE | | 1 | 1 | 1 | 1 | 1 | 1 | 1 | 1 | 1 | 1 | |
| 4 | U01 A01 501 | PROPELLER FAN | | 1 | 1 | 1 | 1 | 1 | 1 | 1 | 1 | 1 | 1 | |
| 5 | U01 A03 301 | OUTDOOR FAN MOTOR | MF | 1 | 1 | 1 | 1 | 1 | 1 | 1 | 1 | 1 | 1 | RC0J55-□□ |
| 6 | U01 A02 290 U01 A01 290 | BASE | | 1 | 1 | 1 | 1 | 1 | 1 | 1 | 1 | 1 | 1 | |
| 7 | U01 A02 293 U01 A01 293 | SEPARATOR | | 1 | 1 | 1 | 1 | 1 | 1 | 1 | 1 | 1 | 1 | |
| 8 | U01 A01 506 | COMP. RUBBER SET | | 3 | 3 | 3 | 3 | 3 | 3 | 3 | 3 | 3 | 3 | 3 RUBBERS/SET |
| 9 | U01 A07 900 | COMPRESSOR (KNB073FRXMC) | MC | 1 | 1 | | | | | 1 | | | | KNB073FRXMC |
| | U01 A01 900 | COMPRESSOR (SNB092FQAMT) | | | | 1 | 1 | | | | 1 | | | SNB092FQAMT |
| | U01 A04 900 | COMPRESSOR (SNB130FQBMT) | | | | | | 1 | 1 | | | | 1 | SNB130FQBMT |
| 10 | U01 A01 641 | SERVICE PORT (L) | | 1 | 1 | 1 | 1 | 1 | 1 | 1 | 1 | 1 | 1 | |
| 11 | U01 A01 662 | STOP VALVE (LIQ) | | 1 | 1 | 1 | 1 | 1 | 1 | 1 | 1 | 1 | 1 | ø1/4 (ø6.35) |
| 12 | U01 A02 661 | STOP VALVE (GAS) | | | | | | 1 | 1 | | | | | ø1/2 (ø12.7) |
| | U01 A01 661 | | 1 | 1 | 1 | 1 | | | 1 | 1 | | | ø3/8 (ø9.52) | |
| 13 | U01 A01 233 | BACK PANEL | | 1 | 1 | 1 | 1 | 1 | 1 | 1 | 1 | 1 | 1 | |
| 14 | U01 A01 245 | SERVICE PANEL | | 1 | 1 | 1 | 1 | 1 | 1 | 1 | 1 | 1 | 1 | |
| 15 | U01 001 401 | EXPANSION VALVE | | 1 | 1 | 1 | 1 | 1 | 1 | 1 | 1 | 1 | 1 | |
| 16 | U01 A01 936 | CAPILLARY TUBE | | 4 | 4 | 4 | 4 | 4 | 4 | 4 | 4 | 4 | 4 | O.D. 0.118 × I.D. 0.079 × 8-9/32 (ø3.0 × ø2.0 × 210) |
| 17 | U01 A01 493 | EXPANSION VALVE COIL | LEV | 1 | 1 | 1 | 1 | 1 | 1 | 1 | 1 | 1 | 1 | |
| 18 | U01 A04 961 | 4-WAY VALVE | | 1 | 1 | 1 | 1 | | | 1 | 1 | | | |
| | U01 A01 961 | | | | | | 1 | 1 | | | 1 | | | |
| 19 | U01 A01 490 | R.V. COIL | 21S4 | | | | | 1 | 1 | | | | | |
| | U01 A03 490 | | | 1 | 1 | 1 | 1 | | | | | | | |
| 20 | U01 A03 308 | AMBIENT TEMPERATURE THERMISTOR | RT65 | 1 | 1 | 1 | 1 | 1 | 1 | 1 | 1 | 1 | 1 | |
| 21 | U01 A02 307 | OUTDOOR HEAT EXC. TEMP THERMISTOR | RT68 | 1 | 1 | 1 | 1 | 1 | 1 | 1 | 1 | 1 | 1 | |
| 22 | U01 A01 306 | THERMISTOR SET | RT61, RT62 | 1 | 1 | 1 | 1 | 1 | 1 | | | | | DEFROST, DISCHARGE TEMPERATURE |
| | U01 A01 309 | DISCHARGE TEMPERATURE THERMISTOR | RT62 | | | | | | | 1 | 1 | 1 | | |
| 23 | U01 A02 337 | REACTOR | L61 | 1 | 1 | | | | | 1 | | | | |
| | U01 A01 337 | | | | | 1 | 1 | 1 | 1 | | 1 | 1 | | |
| 24 | U01 A01 374 | TERMINAL BLOCK | TB | 1 | 1 | 1 | 1 | 1 | 1 | 1 | 1 | 1 | 1 | 5 P |
| 25 | U01 A40 451 | INVERTER P.C. BOARD | | | 1 | | | | | | | | | Including heat sink and RT64 |
| | U01 A41 451 | | | | | 1 | | | | | | | | |
| | U01 A42 451 | | | | | | | 1 | | | | | | |
| | U01 A43 451 | | | | | | | | 1 | | | | | |
| | U01 A44 451 | | | | 1 | | | | | | | | | |
| | U01 A45 451 | | | | | | 1 | | | | | | | |
| | U01 A46 451 | | | | | | | | 1 | | | | | |
| | U01 A47 451 | | | | | | | | | | 1 | | | |
| U01 A48 451 | | | | | | | | | | | 1 | | | |
| 26 | U01 A02 641 | SERVICE PORT (H) | | 1 | 1 | 1 | 1 | 1 | 1 | 1 | 1 | 1 | 1 | |
| 27 | U01 A01 525 | CONDENSER WIRE NET | | 1 | 1 | 1 | 1 | 1 | 1 | 1 | 1 | 1 | 1 | |
| 28 | U01 A01 523 | CONDENSER NET | | 1 | 1 | 1 | 1 | 1 | 1 | 1 | 1 | 1 | 1 | |
| 29 | U01 A01 630 | OUTDOOR HEAT EXCHANGER | | 1 | 1 | 1 | 1 | 1 | 1 | 1 | 1 | 1 | 1 | |
| 30 | U01 A02 079 | THERMO HOLDER | | 1 | 1 | 1 | 1 | 1 | 1 | 1 | 1 | 1 | 1 | |
| 31 | U01 A01 515 | MOTOR SUPPORT | | 1 | 1 | 1 | 1 | 1 | 1 | 1 | 1 | 1 | 1 | |
| 32 | U01 A01 297 | TOP PANEL | | 1 | 1 | 1 | 1 | 1 | 1 | 1 | 1 | 1 | 1 | |
| 33 | U01 A01 526 | DEFROST HEATER | H | | 1 | | 1 | | 1 | | | | | Including lead assembly |
| 34 | U01 A01 381 | HEATER PROTECTOR | 26H | | 1 | | 1 | | 1 | | | | | |
| 35 | U01 M01 987 | LOGO LABEL | | 1 | 1 | 1 | 1 | 1 | 1 | 1 | 1 | 1 | 1 | |
| ③6 | U01 A03 936 | CAPILLARY TUBE | | 1 | 1 | | | | | 1 | | | | O.D. 0.118 × I.D. 0.079 × 9-7/16 (ø3.0 × ø2.0 × 240) |
| | U01 A02 936 | CAPILLARY TUBE | | | | 1 | 1 | 1 | 1 | | 1 | 1 | | O.D. 0.157 × I.D. 0.094 × 9-7/16 (ø4.0 × ø2.4 × 240) |

SERVICE PARTS LIST

MUZ-GL18NA MUZ-GL18NAH MUY-GL18NA

1-3. OUTDOOR UNIT STRUCTURAL PARTS, ELECTRICAL PARTS AND FUNCTIONAL PARTS



1-3. OUTDOOR UNIT STRUCTURAL PARTS, ELECTRICAL PARTS AND FUNCTIONAL PARTS

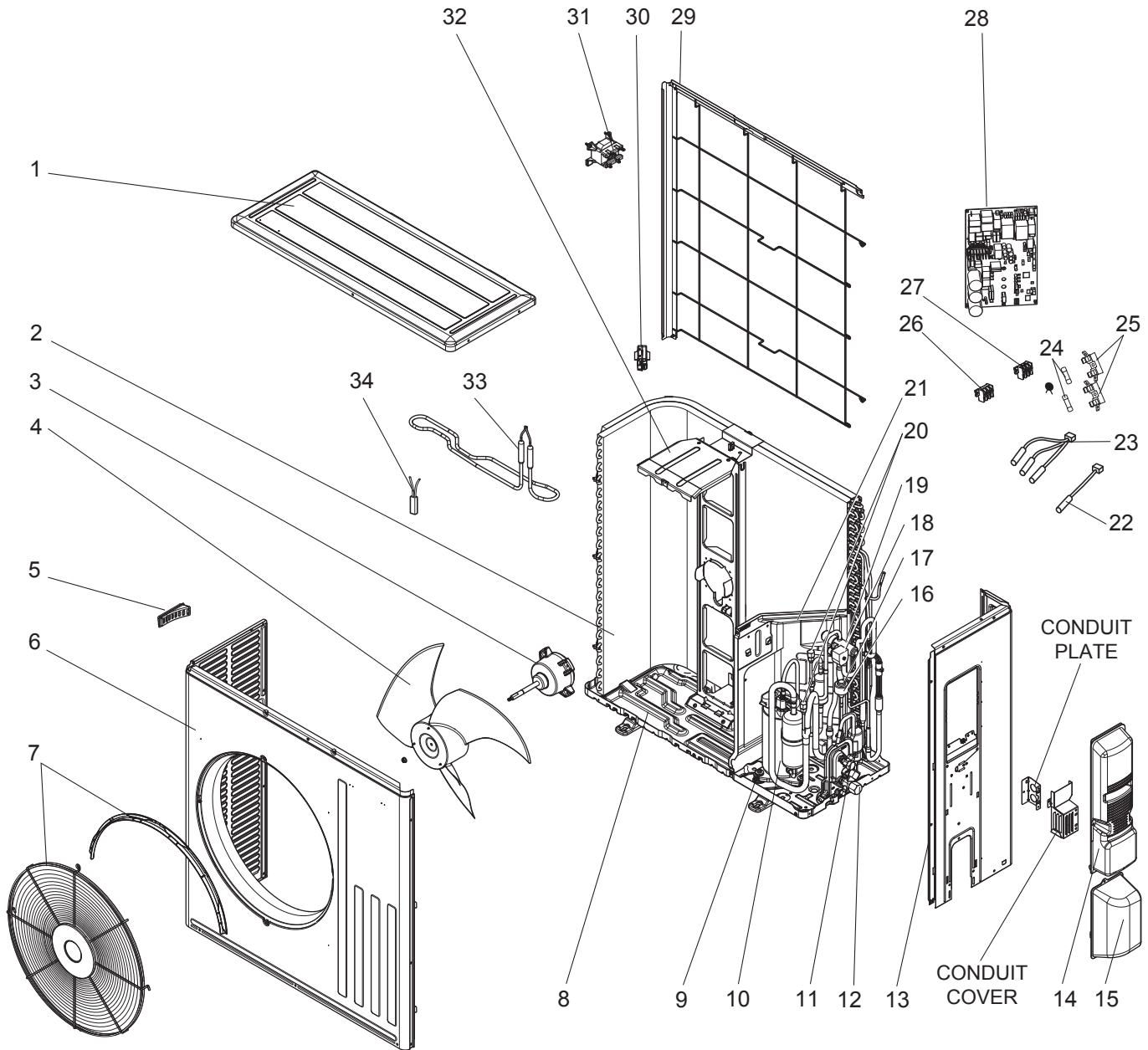
Part numbers that are circled are not shown in the illustration.

| No. | Part No. | Part Name | Symbol in Wiring Diagram | Q'ty/unit | | | Remarks |
|-----|-------------|---|--------------------------|---------------|----------------|---------------|--|
| | | | | MUZ-GL18 | | MUY-GL18 | |
| | | | | NA- <u>U1</u> | NAH- <u>U1</u> | NA- <u>U1</u> | |
| 1 | E12 L87 297 | TOP PANEL | | 1 | 1 | 1 | |
| 2 | E12 N94 630 | OUTDOOR HEAT EXCHANGER | | 1 | 1 | 1 | |
| 3 | E12 N87 301 | OUTDOOR FAN MOTOR | MF | 1 | 1 | 1 | RC0J77-□□ |
| 4 | E12 F28 501 | PROPELLER FAN | | 1 | 1 | 1 | |
| 5 | E12 817 009 | HANDLE | | 1 | 1 | 1 | |
| 6 | E12 N94 232 | CABINET | | 1 | 1 | 1 | |
| 7 | E12 L87 521 | FAN GUARD | | 1 | 1 | | Including ice guard |
| | E12 N94 521 | | | | 1 | | |
| 8 | E12 F28 290 | BASE | | 1 | | 1 | |
| | E12 H25 290 | | | | 1 | | |
| 9 | E12 C34 506 | COMPRESSOR RUBBER SET | | 3 | 3 | 3 | 3 RUBBERS/SET |
| 10 | E12 N94 900 | COMPRESSOR | MC | 1 | 1 | 1 | SNB130FQBMT |
| 11 | E12 L87 661 | STOP VALVE (GAS) | | 1 | 1 | 1 | ø1/2 (ø12.7) |
| 12 | E12 L87 662 | STOP VALVE (LIQUID) | | 1 | 1 | 1 | ø1/4 (ø6.35) |
| 13 | E12 851 640 | EXPANSION VALVE | | 1 | 1 | 1 | |
| 14 | E12 F28 493 | EXPANSION VALVE COIL | LEV | 1 | 1 | 1 | |
| 15 | E12 N91 490 | R.V. COIL | 21S4 | 1 | 1 | 1 | |
| 16 | E12 A56 961 | 4-WAY VALVE | | 1 | 1 | 1 | |
| 17 | E12 E79 641 | SERVICE PORT | | 2 | 2 | 2 | |
| 18 | E12 F28 650 | VALVE COVER | | 1 | 1 | 1 | |
| 19 | E12 N94 245 | SERVICE PANEL | | 1 | 1 | 1 | |
| 20 | E12 F28 079 | THERMO HOLDER | | 1 | 1 | 1 | |
| 21 | E12 G16 309 | AMBIENT TEMPERATURE THERMISTOR | RT65 | 1 | 1 | 1 | |
| 22 | E12 G16 308 | THERMISTOR SET | RT61, RT62, RT68 | 1 | 1 | | DEFROST, DISCHARGE TEMPERATURE, OUTDOOR HEAT EXCHANGER TEMPERATURE |
| 23 | E12 N94 308 | DISCHARGE TEMPERATURE THERMISTOR | RT62 | | | 1 | |
| 24 | E12 G16 307 | OUTDOOR HEAT EXCHANGER TEMPERATURE THERMISTOR | RT68 | | | 1 | |
| 25 | E12 L85 374 | TERMINAL BLOCK | TB | 1 | 1 | 1 | 5 P |
| 26 | E12 N91 451 | INVERTER P.C. BOARD | | 1 | | | Including heat sink and RT64 |
| | E12 N92 451 | | | 1 | | | |
| | E12 N94 451 | | | | 1 | | |
| 27 | E12 N94 233 | BACK PANEL | | 1 | 1 | 1 | |
| 28 | E12 H21 337 | REACTOR | L61 | 1 | | | |
| | E12 N94 337 | | | | 1 | 1 | |
| 29 | E12 L87 523 | CONDENSER NET | | 1 | 1 | 1 | |
| 30 | E12 F28 515 | MOTOR SUPPORT | | 1 | 1 | 1 | |
| 31 | E12 J52 526 | DEFROST HEATER | H | | 1 | | |
| 32 | E12 J52 381 | HEATER PROTECTOR | 26H | | 1 | | |
| ③③ | E12 262 936 | CAPILLARY TUBE | | 1 | 1 | 1 | O.D. 0.157 × I.D. 0.094 × 7-7/8 (ø4.0 × ø2.4 × 200) |
| ③④ | E12 838 936 | CAPILLARY TUBE | | 4 | 4 | 4 | O.D. 0.118 × I.D. 0.079 × 7-7/8 (ø3.0 × ø2.0 × 200) |
| ③⑤ | E12 527 936 | CAPILLARY TUBE | | 1 | 1 | 1 | O.D. 0.157 × I.D. 0.094 × 3-15/16 (ø4.0 × ø2.4 × 100) |

SERVICE PARTS LIST

MUZ-GL24NA MUZ-GL24NAH MUY-GL24NA

1-4. OUTDOOR UNIT STRUCTURAL PARTS, ELECTRICAL PARTS AND FUNCTIONAL PARTS



1-4. OUTDOOR UNIT STRUCTURAL PARTS, ELECTRICAL PARTS AND FUNCTIONAL PARTS

Part numbers that are circled are not shown in the illustration.

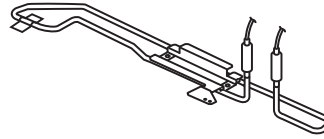
| No. | Part No. | Part Name | Symbol in Wiring Diagram | Q'ty/unit | | | | Remarks |
|-----|-------------|-----------------------------------|--------------------------------|-----------|---------|----------|----------|---|
| | | | | MUZ-GL24 | | | MUY-GL24 | |
| | | | | NA-[U1] | NA-[U2] | NAH-[U1] | NA-[U1] | |
| 1 | E12 L87 297 | TOP PANEL | | 1 | 1 | 1 | 1 | |
| 2 | E12 T16 630 | OUTDOOR HEAT | | 1 | 1 | 1 | | |
| | E12 T17 630 | EXCHANGER | | | | | 1 | |
| 3 | E12 F76 301 | OUTDOOR FAN MOTOR | MF | 1 | 1 | 1 | 1 | RC0J77-□□ |
| 4 | E12 F28 501 | PROPELLER FAN | | 1 | 1 | 1 | 1 | |
| 5 | E12 817 009 | HANDLE | | 1 | 1 | 1 | 1 | |
| 6 | E12 T16 232 | CABINET | | 1 | 1 | 1 | 1 | |
| 7 | E12 F73 521 | FAN GUARD | | 1 | 1 | 1 | | Including ice guard |
| | E12 F28 521 | | | | | | 1 | |
| 8 | E12 F28 290 | BASE | | 1 | 1 | | 1 | |
| | E12 H25 290 | | | | 1 | | | |
| 9 | E12 C34 506 | COMPRESSOR RUBBER SET | | 3 | 3 | 3 | 3 | 3 RUBBERS/SET |
| 10 | E12 F76 900 | COMPRESSOR | MC | 1 | 1 | 1 | 1 | SNB172FQKMT |
| 11 | E12 F29 662 | STOP VALVE (LIQUID) | | 1 | 1 | 1 | 1 | ø3/8 (ø9.52) |
| 12 | E12 F76 661 | STOP VALVE (GAS) | | 1 | 1 | 1 | 1 | ø5/8 (ø15.88) |
| 13 | E12 F76 233 | BACK PANEL | | 1 | 1 | 1 | 1 | |
| 14 | E12 J61 245 | SERVICE PANEL | | 1 | 1 | 1 | 1 | |
| 15 | E12 F28 650 | VALVE COVER | | 1 | 1 | 1 | 1 | |
| 16 | E12 F28 493 | EXPANSION VALVE COIL | LEV | 1 | 1 | 1 | 1 | |
| 17 | E12 853 640 | EXPANSION VALVE | | 1 | 1 | 1 | 1 | |
| 18 | E12 F76 490 | R.V. COIL | 21S4 | 1 | 1 | 1 | | |
| 19 | E12 A56 961 | 4-WAY VALVE | | 1 | 1 | 1 | 1 | |
| 20 | E12 E79 641 | SERVICE PORT (H, L) | | 2 | 2 | 2 | 2 | |
| 21 | E12 R08 293 | SEPARATOR | | 1 | 1 | | 1 | |
| | E12 J67 293 | | | | 1 | | | |
| 22 | E12 J52 309 | AMBIENT TEMPERATURE THERMISTOR | RT65 | 1 | 1 | 1 | 1 | |
| 23 | E12 F28 308 | THERMISTOR SET | RT61, RT62, RT68 | 1 | 1 | 1 | | DEFROST, DISCHARGE TEMPERATURE, OUTDOOR HEAT EXCHANGER TEMPERATURE |
| | E12 F33 308 | | RT62, RT68 | | | | 1 | DISCHARGE TEMPERATURE, OUTDOOR HEAT EXCHANGER TEMPERATURE |
| 24 | E12 250 382 | FUSE | F65, F66 | 2 | 2 | 2 | 2 | T6.3AL 250 V AC |
| 25 | E17 001 241 | FUSE HOLDER | | 2 | 2 | 2 | 2 | |
| 26 | E12 L87 374 | TERMINAL BLOCK | TB1 | 1 | 1 | 1 | 1 | 3 P |
| 27 | E12 T16 374 | TERMINAL BLOCK | TB2 | 1 | 1 | 1 | 1 | 3 P |
| 28 | E12 T16 451 | INVERTER P.C. BOARD | | 1 | | | | Including heat sink and RT64 |
| | E12 T18 451 | | | 1 | 1 | | | |
| | E12 T17 451 | | | | | | 1 | |
| 29 | E12 L87 523 | CONDENSER NET | | 1 | 1 | 1 | 1 | |
| 30 | E12 F76 079 | THERMO HOLDER | | 1 | 1 | 1 | 1 | |
| 31 | E12 F28 337 | REACTOR | L | 1 | 1 | 1 | 1 | |
| 32 | E12 J52 515 | MOTOR SUPPORT | | 1 | 1 | 1 | 1 | |
| 33 | E12 J52 526 | DEFROST HEATER | H | | | 1 | | |
| 34 | E12 J52 381 | HEATER PROTECTOR | 26H | | | 1 | | |
| ③⑤ | E12 527 936 | CAPILLARY TUBE | | 1 | 1 | 1 | 1 | O.D. 0.157 × I.D. 0.094 × 3-15/16 (ø4.0 × ø2.4 × 100) |
| ③⑥ | E12 T18 936 | CAPILLARY TUBE | | | 1 | 1 | | O.D. 0.118 × I.D. 0.071 × 21-21/32 (ø3.0 × ø1.8 × 550) |

2

OPTIONAL PARTS

2-1. DEFROST HEATER

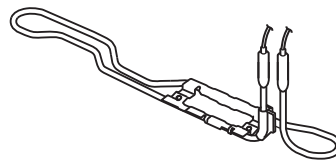
| Model | Parts No. |
|--|-------------|
| MUZ-GL09NA MUZ-GL12NA MUZ-GL15NA | MAC-640BH-U |



Components

| | | | |
|------------------|---|-----------------------|---|
| ① Defrost heater | 1 | ④ Cable tie | 1 |
| ② Aluminum tape | 1 | ⑤ Self drilling screw | 2 |
| ③ Heater support | 1 | ⑥ Insulation | 1 |

| Model | Parts No. |
|--------------------------|--------------|
| MUZ-GL18NA MUZ-GL24NA | MAC-642BH-U1 |



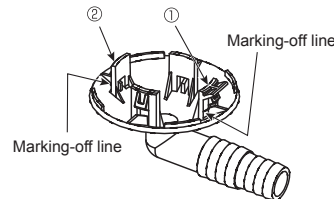
Components

| | | | |
|------------------|---|-----------------------|---|
| ① Defrost heater | 1 | ④ Cable clamp | 1 |
| ② Heater support | 1 | ⑤ Self drilling screw | 2 |
| ③ Cable tie | 1 | ⑥ Wiring diagram | 1 |

Note: Refer to the installation manual for the installation.

2-2. DRAIN SOCKET

| Model | Parts No. |
|--|-----------|
| MUZ-GL09NA MUZ-GL12NA MUZ-GL15NA MUZ-GL18NA MUZ-GL24NA | MAC-860DS |



Installing a Drain Socket

For Φ 1-5/8 (Φ 42) hole

Put the tab ① in the hole first, and then the tab ②.

MITSUBISHI ELECTRIC CORPORATION

HEAD OFFICE: TOKYO BUILDING, 2-7-3, MARUNOUCHI, CHIYODA-KU, TOKYO 100-8310, JAPAN

© Copyright 2015 MITSUBISHI ELECTRIC CORPORATION

Issued: Apr. 2019. No. OBB733 REVISED EDITION-G

Issued: Nov. 2018. No. OBB733 REVISED EDITION-F

Issued: Feb. 2018. No. OBB733 REVISED EDITION-E

Issued: Mar. 2017. No. OBB733 REVISED EDITION-D

Issued: Sep. 2016. No. OBB733 REVISED EDITION-C

Issued: Jan. 2016. No. OBB733 REVISED EDITION-B

Issued: Nov. 2015. No. OBB733 REVISED EDITION-A

Published: Sep. 2015. No. OBB733

Made in Japan

Specifications are subject to change without notice.