

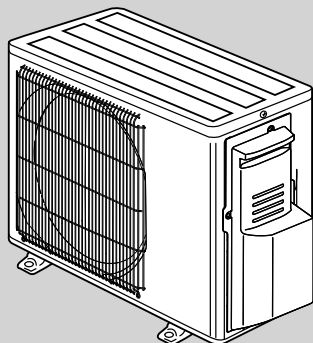
# OUTDOOR UNIT PARTS CATALOG

No. OBB684

## Models

**MUZ-FH09NA**  
**MUZ-FH12NA**  
**MUZ-FH15NA**

**MUZ-FH09NAH**  
**MUZ-FH12NAH**  
**MUZ-FH15NAH**



**MUZ-FH09NA MUZ-FH09NAH**  
**MUZ-FH12NA MUZ-FH12NAH**

## CONTENTS

- 1. RoHS PARTS LIST..... 2
- 2. OPTIONAL PARTS..... 6

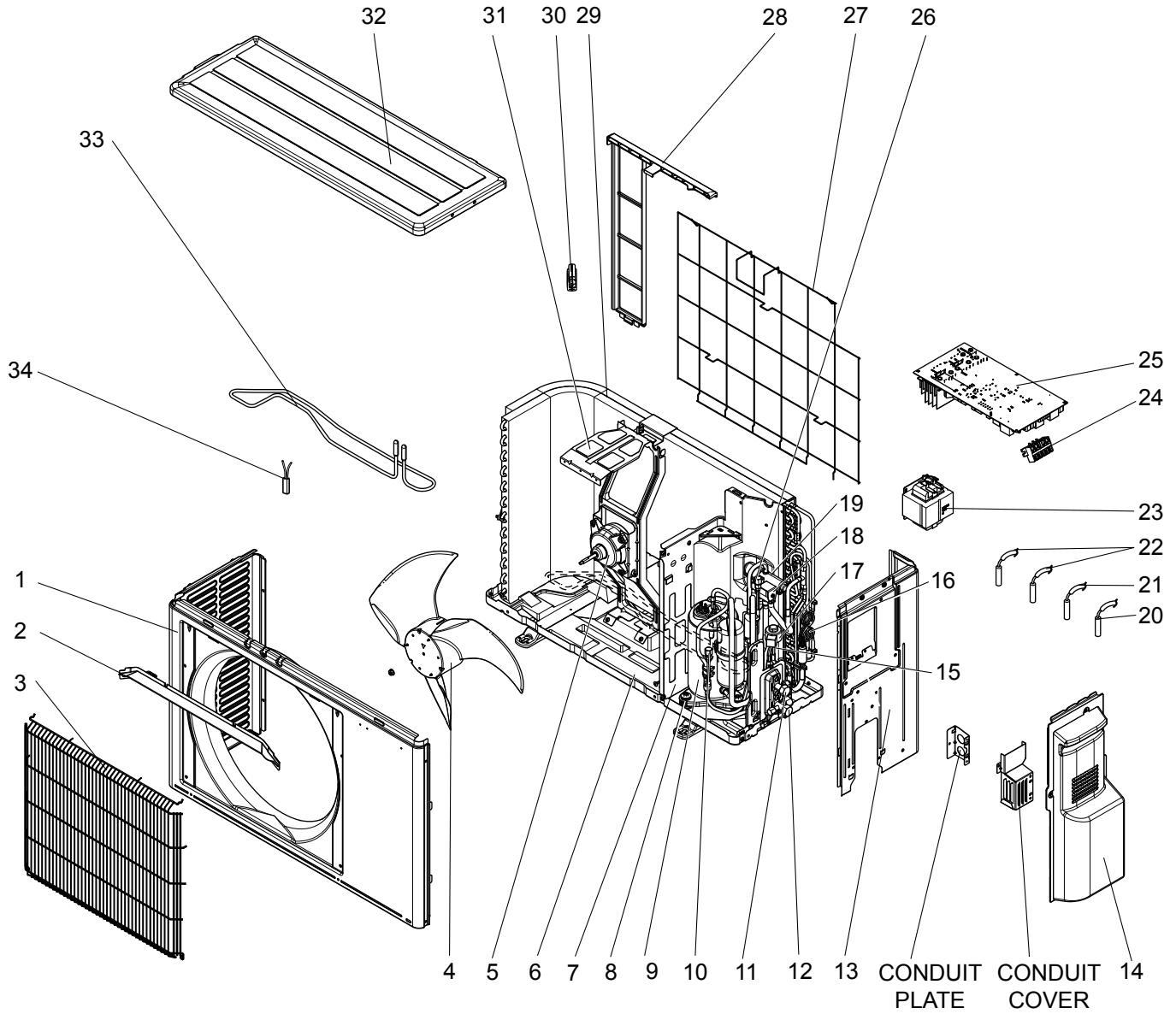
**SERVICE MANUAL (OBH684)**

**NOTE:**

RoHS compliant products have <G> mark on the spec name plate.

**MUZ-FH09NA MUZ-FH09NAH MUZ-FH12NA MUZ-FH12NAH**

**1-1. OUTDOOR UNIT STRUCTURAL PARTS, ELECTRICAL PARTS AND FUNCTIONAL PARTS**



# RoHS PARTS LIST

## 1-1. OUTDOOR UNIT STRUCTURAL PARTS AND FUNCTIONAL PARTS

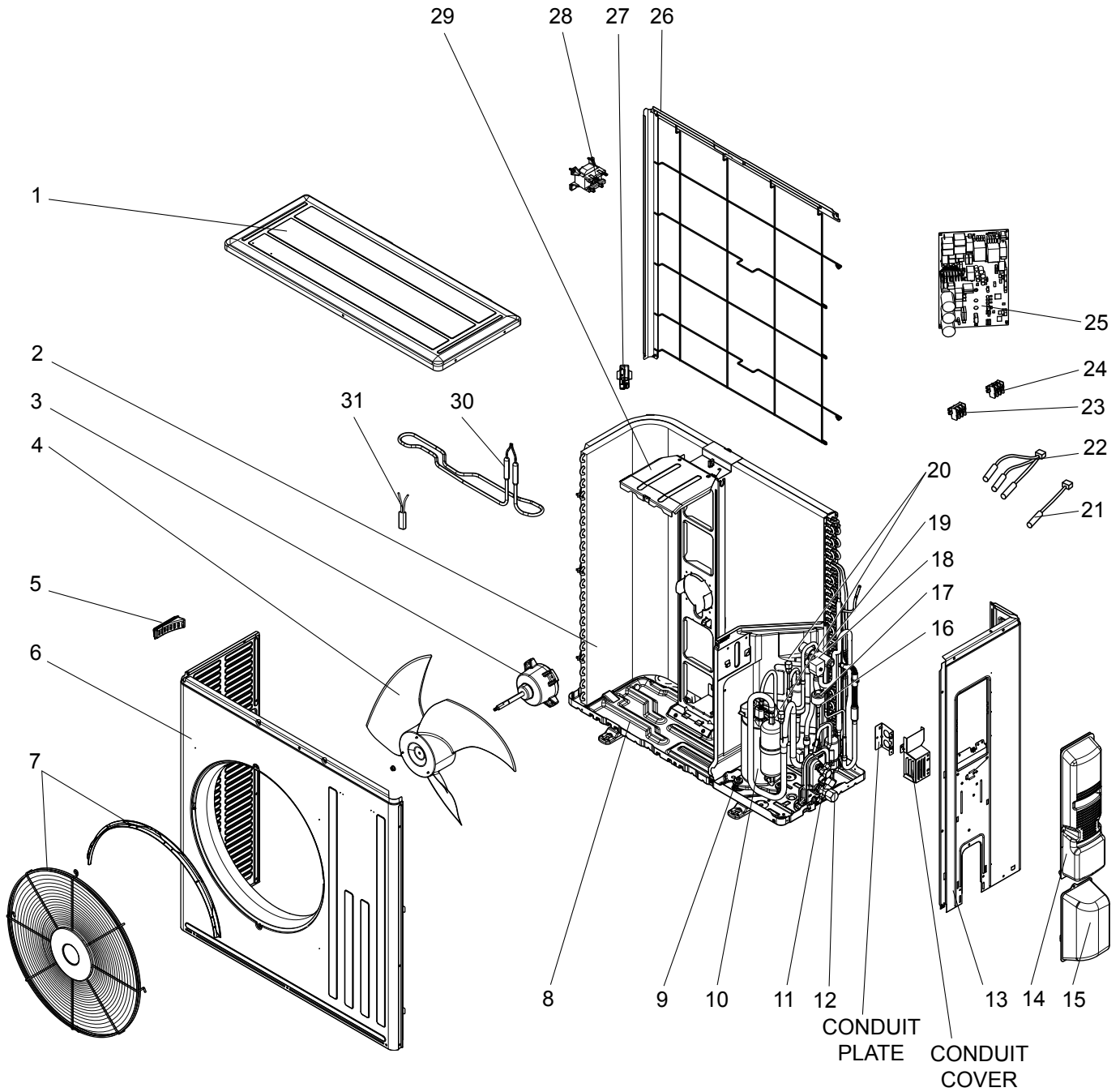
Part numbers that are circled are not shown in the illustration.

No.	RoHS	Part No.	Part Name	Symbol in Wiring Diagram	Q'ty/unit				Remarks
					MUZ-FH				
					09NA	09NAH	12NA	12NAH	
1	G	E12 L85 232	CABINET		1	1	1	1	
2	G	E12 J63 531	ICE GUARD		1	1	1	1	
3	G	E12 J63 521	GRILLE		1	1	1	1	
4	G	E12 927 501	PROPELLER		1	1	1	1	
5	G	E12 L85 301	OUTDOOR FAN MOTOR	MF	1	1	1	1	RC0J55-□□
6	G	E12 A82 290	BASE		1		1		
	G	E12 G68 290				1		1	
7	G	E12 G11 293	SEPARATOR		1		1		
	G	E12 G14 293				1		1	
8	G	E12 C34 506	COMPRESSOR RUBBER SET		3	3	3	3	3 RUBBERS/SET
9	G	E12 L85 900	COMPRESSOR	MC	1	1			SNB092FQAMT
	G	E12 L86 900					1	1	SNB140FQUMT
10	G	E12 E79 641	SERVICE PORT (L)		1	1	1	1	
11	G	E12 927 662	STOP VALVE (LIQUID)		1	1	1	1	ø3/8 (ø9.52)
12	G	E12 L85 661	STOP VALVE (GAS)		1	1	1	1	ø1/4 (ø6.35)
13	G	E12 L85 233	BACK PANEL		1	1	1	1	
14	G	E12 L85 245	SERVICE PANEL		1	1	1	1	
15	G	E12 A54 640	EXPANSION VALVE		1	1	1	1	
16	G	E12 F35 936	CAPILLARY TUBE		4	4	4	4	O.D. 0.118 × I.D. 0.079 × 8-9/32 (ø3.0 × ø2.0 × 210)
17	G	E12 G10 493	EXPANSION VALVE COIL	LEV	1	1	1	1	
18	G	E12 A56 961	4-WAY VALVE		1	1	1	1	
19	G	E12 L85 490	R.V. COIL	21S4	1	1	1	1	
20	G	E12 D65 308	AMBIENT TEMPERATURE THERMISTOR	RT65	1	1	1	1	
21	G	E12 E05 307	OUTDOOR HEAT EXCHANGER TEMPERATURE THERMISTOR	RT68	1	1	1	1	
22	G	E12 L85 306	THERMISTOR SET	RT61, RT62	1	1	1	1	DEFROST, DISCHARGE
23	G	E12 G11 337	REACTOR	L61	1	1	1	1	
24	G	E12 L85 374	TERMINAL BLOCK	TB	1	1	1	1	5 P
25	G	E12 L85 451	INVERTER P.C. BOARD		1				Including heat sink and RT64
	G	E12 L91 451				1			
	G	E12 L86 451					1		
	G	E12 L92 451						1	
26	G	E12 L85 641	SERVICE PORT (H)		1	1	1	1	
27	G	E12 930 525	CONDENSER WIRE NET		1	1	1	1	
28	G	E12 930 523	CONDENSER NET		1	1	1	1	
29	G	E12 L85 630	OUTDOOR HEAT EXCHANGER		1	1	1	1	
30	G	E12 D84 079	THERMO HOLDER		1	1	1	1	
31	G	E12 929 515	MOTOR SUPPORT		1	1	1	1	
32	G	E12 L85 297	TOP PANEL		1	1	1	1	
33	G	E12 J50 526	DEFROST HEATER	H		1		1	Including lead assembly
34	G	E12 D65 381	HEATER PROTECTOR	26H		1		1	
35	G	E12 J47 936	CAPILLARY TUBE		1	1	1	1	O.D. 0.157 × I.D. 0.094 × 9-7/16 (ø4.0 × ø2.4 × 240)

# RoHS PARTS LIST

MUZ-FH15NA MUZ-FH15NAH

## 1-2. OUTDOOR UNIT STRUCTURAL PARTS, ELECTRICAL PARTS AND FUNCTIONAL PARTS



# RoHS PARTS LIST

## 1-3. OUTDOOR UNIT STRUCTURAL PARTS, ELECTRICAL PARTS AND FUNCTIONAL PARTS

Part numbers that is circled is not shown in the illustration.

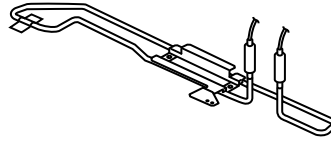
No.	RoHS	Part No.	Part Name	Symbol in Wiring Diagram	Q'ty/unit		Remarks
					MUZ-FH		
					15NA	15NAH	
1	G	E12 L87 297	TOP PANEL		1	1	
2	G	E12 L87 630	OUTDOOR HEAT EXCHANGER		1	1	
3	G	E12 F76 301	OUTDOOR FAN MOTOR	MF	1	1	RC0J77-□□
4	G	E12 F28 501	PROPELLER		1	1	
5	G	E12 817 009	HANDLE		1	1	
6	G	E12 L87 232	CABINET		1	1	
7	G	E12 L87 521	FAN GUARD		1	1	Including ice guard
8	G	E12 F28 290	BASE		1		
	G	E12 H25 290				1	
9	G	E12 C34 506	COMPRESSOR RUBBER SET		3	3	3 RUBBERS/SET
10	G	E12 F76 900	COMPRESSOR	MC	1	1	SNB172FQKMT
11	G	E12 L87 662	STOP VALVE (LIQUID)		1	1	ø1/4 (ø6.35)
12	G	E12 L87 661	STOP VALVE (GAS)		1	1	ø1/2 (ø12.7)
13	G	E12 L87 233	BACK PANEL (OUT)		1	1	
14	G	E12 L87 245	SERVICE PANEL		1	1	
15	G	E12 F28 650	VALVE COVER		1	1	
16	G	E12 851 640	EXPANSION VALVE		1	1	
17	G	E12 F28 493	EXPANSION VALVE COIL	LEV	1	1	
18	G	E12 F76 490	R.V. COIL	21S4	1	1	
19	G	E12 A56 961	4-WAY VALVE		1	1	
20	G	E12 E79 641	SERVICE PORT (H, L)		2	2	
21	G	E12 J52 309	AMBIENT TEMPERATURE THERMISTOR	RT65	1	1	
22	G	E12 F28 308	THERMISTOR SET	RT61,RT62, RT68	1	1	DEFROST, DISCHARGE, OUTDOOR HEAT EXCHANGER TEMPERATURE
23	G	E12 L87 374	TERMINAL BLOCK	TB1	1	1	3 P
24	G	E12 F28 374	TERMINAL BLOCK	TB2	1	1	3 P
25	G	E12 L87 451	INVERTER P.C. BOARD		1		Including heat sink and RT64
	G	E12 M08 451				1	
26	G	E12 F28 523	CONDENSER NET		1	1	
27	G	E12 F76 079	THERMO HOLDER		1	1	
28	G	E12 F28 337	REACTOR	L	1	1	
29	G	E12 J52 515	MOTOR SUPPORT		1	1	
30	G	E12 J52 526	DEFROST HEATER	H		1	
31	G	E12 J52 381	HEATER PROTECTOR	26H		1	
③②	G	E17 250 382	FUSE	F65, F66	2	2	T6.3AL250V
③③	G	E12 001 241	FUSE HOLDER		2	2	
③④	G	E12 527 936	CAPILLARY TUBE		1	1	O.D. 0.157 × I.D. 0.094 × 3-15/16 (ø4.0 × ø2.4 × 100)

# 2

# OPTIONAL PARTS

## 2-1. DEFROST HEATER

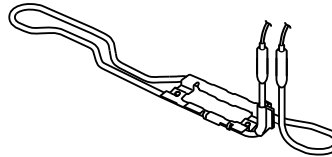
Model	Parts No.
MUZ-FH09NA MUZ-FH12NA	MAC-640BH-U



### Components

① Defrost heater	1	④ Cable tie	1
② Aluminum tape	1	⑤ Self drilling screw	2
③ Heater support	1	⑥ Insulation	1

Model	Parts No.
MUZ-FH15NA	MAC-642BH-U



### Components

① Defrost heater	1	④ Cable clamp	1
② Heater support	1	⑤ Self drilling screw	2
③ Cable tie	1	⑥ Wiring diagram	1

**Note:** Refer to the installation manual for the installation.

**MITSUBISHI ELECTRIC CORPORATION**

HEAD OFFICE: TOKYO BLDG., 2-7-3, MARUNOUCHI, CHIYODA-KU, TOKYO 100-8310, JAPAN