

| | |
|-------------------|-------|
| Job Name: | |
| System Reference: | Date: |



Indoor Unit: MSZ-FE09NA-8

Wireless Remote Controller



Outdoor Unit: MUZ-FE09NA-1

GENERAL FEATURES

- Highly energy-efficient system that features 100% heating capacity at 5°F, 82% at -4°F, and 62% at -13°F
- Updated sleek, compact indoor unit design
- Includes Standard, Platinum Deodorizing, and Anti-allergy Enzyme filters for a complete air purifying system
- “Powerful Mode” function permits system to temporarily run at a lower/higher temperature with an increased fan speed, which quickly brings the room to the optimum comfort level
- Integrated i-see Sensor automatically adjusts the unit’s operation according to temperature differences detected between the floor and the intake air, ensuring optimum comfort and energy usage
- Hand-held Wireless Remote Controller
- Base heater is available as an option
- Limited warranty: five years parts and seven years compressors

ACCESSORIES

Indoor Unit

- Condensate Pump (BlueDiamond X87-711/721; 115/230V)
- Condensate Pump (Sauermann SI30-115/230; 115/230V)
- Replacement Platinum Deodorizing Filter (MAC-308FT)
- Replacement Anti-allergy Enzyme Filter (MAC-418FT; MERV 8)

Outdoor Unit

- Base Heater (MAC-640BH-U)
- Drain Socket (MAC-851DS)

Controller Options

- Wireless Controller (MHK1)
- Wired Remote Controller PAR-31MAA (Requires MAC-333IF-E)
- Wireless Interface for kumo cloud™ (PAC-WHS01WF-E)
- Thermostat Interface (PAC-US444CN-1)

SPECIFICATIONS

Cooling¹

Rated Capacity 9,000 Btu/h
 Minimum Capacity 2,800 Btu/h
 SEER 26.0 Btu/h/W
 Total Input 580 W

Heating at 47° F²

Rated Capacity 10,900 Btu/h
 Minimum Capacity 3,000 Btu/h
 HSPF 10.0 Btu/h/W
 Total Input 710 W

Heating at 17° F³

Rated Capacity 6,700 Btu/h
 Rated Total Input 650 W
 Maximum Capacity** 12,500 Btu/h
 Maximum Total Input 1,730 W

Heating at 5° F⁴

Maximum Capacity** 10,900 Btu/h

¹ Cooling | Indoor: 80° F (27° C) DB / 67° F (19° C) WB*
¹ Cooling | Outdoor: 95° F (35° C) DB / 75° F (24° C) WB*
² Heating at 47°F | Indoor: 70° F (21° C) DB / 60° F (16° C) WB*
² Heating at 47°F | Outdoor: 47° F (8° C) DB / 43° F (6° C) WB*
³ Heating at 17° F | Indoor: 70° F (21° C) DB / 60° F (16° C) WB*
³ Heating at 17° F | Outdoor: 17° F (-8° C) DB / 15° F (-9° C) WB*
⁴ Heating at 5° F | Indoor: 70° F (21° C) DB / 60° F (16° C) WB
⁴ Heating at 5° F | Outdoor: 5° F (-15° C) DB / 5° F (-15° C) WB
 * Rating Conditions per AHRI Standard

** Maximum Capacity is at full speed and performance for INVERTER-driven System.

Specifications are subject to change without notice.

ENERGY STAR® Yes
 ENERGY STAR products are third-party certified by an EPA-recognized Certification Body.

ELECTRICAL REQUIREMENTS

Power Supply 208 / 230V, 1-Phase, 60 Hz
 Breaker Size 15 A

Voltage

Indoor - Outdoor S1-S2 AC 208 / 230V
 Indoor - Outdoor S2-S3 DC ±24V
 Indoor - Remote Controller MHK1 DC 3V
 PAR-31MAA DC 12V
 PAC-YT53CRAU DC 12V

OPERATING RANGE

| | | Indoor Intake Air Temp. | Outdoor Intake Air Temp. |
|----------------------|---------|--------------------------------------|---|
| Cooling ⁴ | Maximum | 90° F (32° C) DB 73° F (23° C) WB | 115° F (46° C) DB |
| | Minimum | 67° F (19° C) DB 57° F (14° C) WB | 14° F (-10° C) DB |
| Heating | Maximum | 80°F (27° C) DB 67° F (19° C) WB | 75°F (24° C) DB 65°F (18° C) WB |
| | Minimum | 70° F (21° C) DD 60° F (16° C) WB | -13° F (-25° C) DB -15° F (-26° C) WB ⁵ |

⁴ Applications should be restricted to comfort cooling only; equipment cooling applications are not recommended for low ambient temperature conditions.

⁵ System cuts out at -18° F (-28° C) to avoid thermistor error and automatically restarts at -14° F (-26° C).

Indoor Unit

MCA 1 A
 Blower Motor (ECM) 0.76 F.L.A.

Airflow

Cooling (Lo - Med - Hi - Powerful) . . . 162 - 226 - 339 - 381 Dry CFM
 144 - 202 - 307 - 343 Wet CFM
 Heating (Lo - Med - Hi - Powerful) . . . 166 - 240 - 367 - 381 Dry CFM

Sound Pressure Level

Cooling (Lo - Med - Hi - Powerful) 22 - 31 - 39 - 42 dB(A)
 Heating (Lo - Med - Hi - Powerful) 22 - 31 - 40 - 42 dB(A)

| DIMENSIONS | UNIT INCHES / MM |
|------------|------------------|
| W | 31-3/8 / 799 |
| D | 10-1/8 / 257 |
| H | 11-5/8 / 295 |

Weight 27 lbs. / 12 kg
 External Finish Munsell No. 1.0Y 9.2 / 0.2
 Field Drainpipe Size O.D. 5/8" / 15.88 mm
 Remote Controller Wireless

Outdoor Unit

Compressor DC Inverter-driven Twin Rotary
 MCA 12 A
 Fan Motor (ECM) 0.56 F.L.A.
 Sound Pressure Level
 Cooling 48 dB(A)
 Heating 49 dB(A)

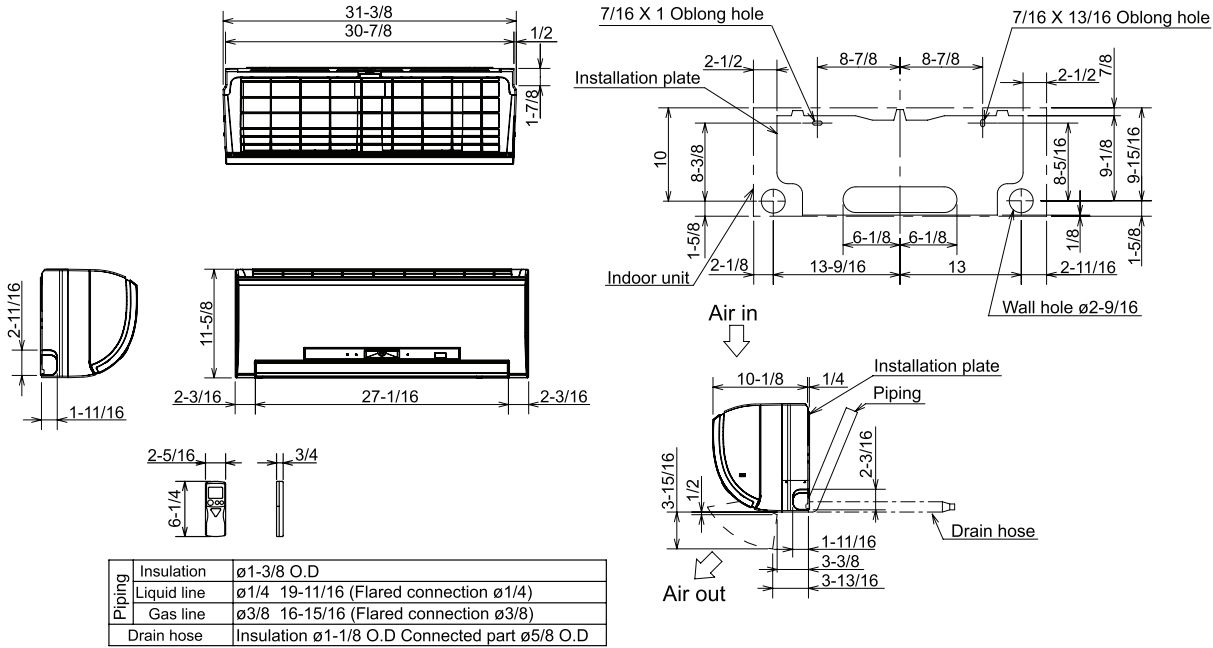
| DIMENSIONS | INCHES / MM |
|------------|--------------|
| W | 31-1/2 / 800 |
| D | 11-1/4 / 286 |
| H | 21-5/8 / 549 |

Weight 80 lbs. / 36 kg
 External Finish Munsell No. 3.0Y 7.8 / 1.1
 Refrigerant Type R410A
 Refrigerant Pipe Size O.D.
 Gas Side 3/8" / 9.52 mm
 Liquid Side 1/4" / 6.35 mm
 Max. Refrigerant Pipe Length 65' / 20 m
 Max. Refrigerant Pipe Height Difference 40' / 12 m
 Connection Method Flared

DIMENSIONS: MSZ-FE09NA-8 & MUZ-FE09NA-1

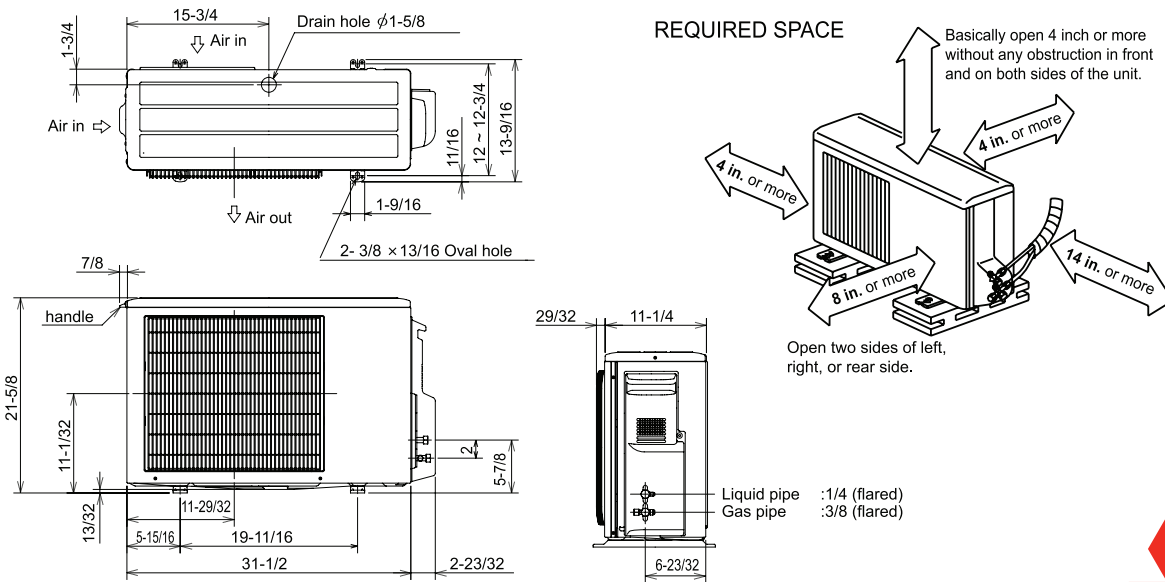
MSZ-FE09NA-8

Unit: inch



MUZ-FE09NA-1

Unit: inch



COOLING & HEATING

1340 Satellite Boulevard, Suwanee, GA 30024
Toll Free: 800-433-4822 www.mehvac.com

