




Job Name:

System Reference:

Date:

Indoor Unit: MSZ-D30NA	Outdoor Unit: MUZ-D30NA	Wireless Remote Controller
		

### GENERAL FEATURES

- Slim wall-mounted indoor units provide zone comfort control.
- The outdoor unit powers the indoor unit, and should a power outage occur, the system is automatically restarted when power returns.
- INVERTER-driven compressor and LEV provide high efficiency and comfort while using only the energy needed to maintain maximum performance
- Multiple fan speed options: Low, Medium, High, Powerful, Auto
- Multiple control options available:
  - Hand-held Remote Controller (provided with unit)
  - kumo cloud® smart device app for remote access
  - Third-party interface options
  - Wired or wireless controllers
- Hot-Start Technology: no cold air rush at equipment startup or when restarting after Defrost Cycle
- Powerful Operation: quickly cools or heats the room by automatically adjusting fan speed and set temperature for 15 minutes
- Smart Set: recalls a preferred preset temperature setting at the touch of a button
- Wide Vane mode provides 150° of airflow

## SPECIFICATIONS: MSZ-D30NA & MUZ-D30NA

Cooling <sup>1</sup>	Maximum Capacity	BTU/H	30,700
	Rated Capacity	BTU/H	30,600
	Minimum Capacity	BTU/H	9,800
	Maximum Power Input	W	3,850
	Rated Power Input	W	3,850
	Moisture Removal	Pints/h	9.9
	Sensible Heat Factor		0.64
	Power Factor	%	99 / 99
Heating at 47°F <sup>2</sup>	Maximum Capacity	BTU/H	34,000
	Rated Capacity	BTU/H	32,600
	Minimum Capacity	BTU/H	8,700
	Maximum Power Input	W	3,600
	Rated Power Input	W	3,360
	Power Factor	%	99 / 99
Heating at 17°F <sup>3</sup>	Maximum Capacity	BTU/H	20,800
	Rated Capacity	BTU/H	19,500
	Maximum Power Input	W	2,620
	Rated Power Input	W	2,620
Efficiency	SEER		14.5
	EER <sup>1</sup>		8.0
	HSPF (IV)		8.2
	COP at 47°F <sup>2</sup>		2.84
	COP at 17°F in Maximum Capacity <sup>3</sup>		2.33
Electrical	Voltage, Phase, Frequency		208/230V, 1 phase, 60Hz
	Guaranteed Voltage Range	V AC	187 - 253
	Voltage: Indoor - Outdoor, S1-S2	V AC	208 / 230
	Voltage: Indoor - Outdoor, S2-S3	V DC	24
	Short-circuit Current Rating (SCCR)		5
	Recommended Fuse/Breaker Size (Outdoor)	A	25
	Recommended Wire Size (Indoor - Outdoor)	AWG	14
Indoor Unit	MCA	A	1
	MOCP	A	15
	Blower Motor Full Load Amperage	A	0.76
	Blower Motor Output	W	56
	Airflow Rate at Cooling, Dry	CFM	887-848-639-389
	Airflow Rate at Cooling, Wet	CFM	798-763-576-350
	Airflow Rate at Heating, Dry	CFM	887-848-639-445
	Sound Pressure Level (Cooling)	dB(A)	51-49-42-32
	Sound Pressure Level (Heating)	dB(A)	50-49-42-34
	Drain Pipe Size	In. (mm)	5/8 (15.88)
	Heat Exchanger Type		Plate fin coil

## SPECIFICATIONS: MSZ-D30NA & MUZ-D30NA

	External Finish Color		Munsell 3Y 7.8/1.1
	Unit Dimensions	W: In. (mm)	46-1/16 [1,170]
		D: In. (mm)	11-5/8 (295)
		H: In. (mm)	14-3/8 (365)
	Package Dimensions	W: In. (mm)	51 (1,295)
		D: In. (mm)	14-1/4 (362)
		H: In. (mm)	18-1/2 (470)
Unit Weight	Lbs. (kg)	40 (18)	
Package Weight	Lbs. (kg)	53 (24)	
Indoor Unit Operating Temperature Range	Cooling Intake Air Temp (Maximum / Minimum)*	°F	90 DB, 73 WB / 67 DB, 57 WB
	Heating Intake Air Temp (Maximum / Minimum)	°F	80 DB / 70 DB
Outdoor Unit	MCA	A	21
	MOCP	A	25
	Fan Motor Full Load Amperage	A	0.93
	Fan Motor Output	W	77
	Airflow Rate	CFM	1,941 / 1,941
	Refrigerant Control		LEV
	Defrost Method		Reverse cycle
	Heat Exchanger Type		Plate fin coil
	Sound Pressure Level, Cooling <sup>1</sup>	dB(A)	55
	Sound Pressure Level, Heating <sup>2</sup>	dB(A)	57
	Compressor Type		DC INVERTER-driven
	Compressor Model		TNB220FMCHT
	Compressor Rated Load Amps	A	16
	Compressor Locked Rotor Amps	A	20
	Compressor Oil Type // Charge	oz.	NEO22 // 29.4
	External Finish Color		Munsell 3Y 7.8/1/1
	Base Pan Heater		N/A
	Unit Dimensions	W: In. (mm)	33-1/16 (840)
		D: In. (mm)	13 (330)
		H: In. (mm)	33-7/16 (850)
Package Dimensions	W: In. (mm)	39 (990)	
	D: In. (mm)	18 1/2 (470)	
	H: In. (mm)	39 3/4 (1,010)	
Unit Weight	Lbs. (kg)	141 (64)	
Package Weight	Lbs. (kg)	168 (76)	
Outdoor Unit Operating Temperature Range	Cooling Air Temp (Maximum / Minimum)*	°F	115 / 14
	Cooling Thermal Lock-out / Re-start Temperatures**	°F	-4 / 0
	Heating Air Temp (Maximum / Minimum)	°F	14 to 75
	Heating Thermal Lock-out / Re-start Temperatures**	°F	N/A
Refrigerant	Type		R410A

## SPECIFICATIONS: MSZ-D30NA & MUZ-D30NA

	Charge	Lbs, oz	4, 10
Piping	Gas Pipe Size O.D. (Flared)	In. (mm)	5/8 (15.88)
	Liquid Pipe Size O.D. (Flared)	In. (mm)	3/8 (9.52)
	Maximum Piping Length	Ft. (m)	100 (30)
	Maximum Height Difference	Ft. (m)	50 (15)
	Maximum Number of Bends		10

### Notes

AHRI Rated Conditions (Rated data is determined at a fixed compressor speed)	<sup>1</sup> Cooling (Indoor // Outdoor)	°F	80 DB, 67 WB // 95 DB, 75 WB
	<sup>2</sup> Heating at 47°F (Indoor // Outdoor)	°F	70 DB, 60 WB // 47 DB, 43 WB
	<sup>3</sup> Heating at 17°F (Indoor // Outdoor)	°F	70 DB, 60 WB // 17 DB, 15 WB

\*Applications should be restricted to comfort cooling only; equipment cooling applications are not recommended for low ambient temperature conditions.

\*\*System cuts out in heating mode to avoid thermistor error and automatically restarts at these temperatures.

## ACCESSORIES: MSZ-D30NA

Anti-allergy Enzyme Filter	□ MAC-1415FT-E
kumo touch™ RedLINK™ Wireless Controller	□ MHK2
Deluxe MA Remote Controller <sup>1</sup>	□ PAR-40MAAU
Simple MA Controller <sup>1</sup>	□ PAC-YT53CRAU-J
Touch MA Controller <sup>1</sup>	□ PAR-CT01MAU-SB
Wired Remote Sensor	□ M21-EAA-307
Wireless Temperature and Humidity Sensor	□ PAC-USWHS003-TH-1
System Control Interface <sup>2</sup>	□ MAC-334IF-E
Wireless Interface 2	□ PAC-USWHS002-WF-2
Thermostat Interface	□ PAC-US444CN-1
kumo station®	□ PAC-WHS01HC-E
USNAP Interface	□ PAC-WHS01UP-E
IT Extender	□ PAC-WHS01IE-E
BACnet® and MODBUS® Interface	□ PAC-UKPRC001-CN-1
Lockdown Bracket for Hand-held Remote Controllers	□ RCMKP1CB
Blue Diamond Sensor Extension Cable — 15 Ft.	□ C13-103
Blue Diamond Alarm Extension Cable — 6.5 Ft.	□ C13-192
Blue Diamond MultiTank — collection tank for use with multiple pumps	□ C21-014
Blue Diamond Rubber Foot Pads	□ F10-010
Mini Condensate Pump — 230 volt application	□ SI30-230
MegaBlue Advanced Blue Diamond Condensate Pump w/ Reservoir & Sensor	□ X87-835 - 110 to 250V
MaxiBlue Advanced Blue Diamond Mini Condensate Pump w/ Reservoir & Sensor (110V) up to 48,000 BTU/H[recommended]	□ X87-711 - 110V
Advanced Blue Diamond Mini Condensate Pump w/ Reservoir & Sensor (208/230V) [recommended]	□ X87-721 - 208/230V
MicroBlue Blue Diamond Mini Condensate Pump (110/208/230V) up to 18,000 BTU/H	□ X85-003
Fascia Kit for MicroBlue Pump – mounts the MicroBlue and sensor directly beneath the indoor unit	□ T18-016
Drain Pan Level Sensor	□ SS610E
(30A/600V/UL) [fits 2" X 4" utility box] - Black	□ TAZ-MS303
(30A/600V/UL) [fits 2" X 4" utility box] - White	□ TAZ-MS303W

<sup>1</sup> Requires MAC-334IF-E

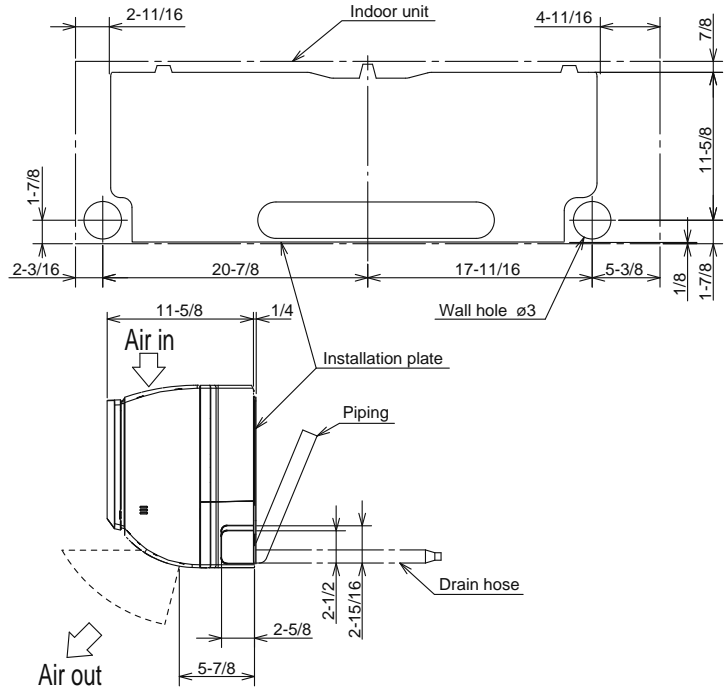
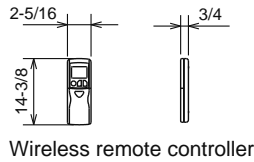
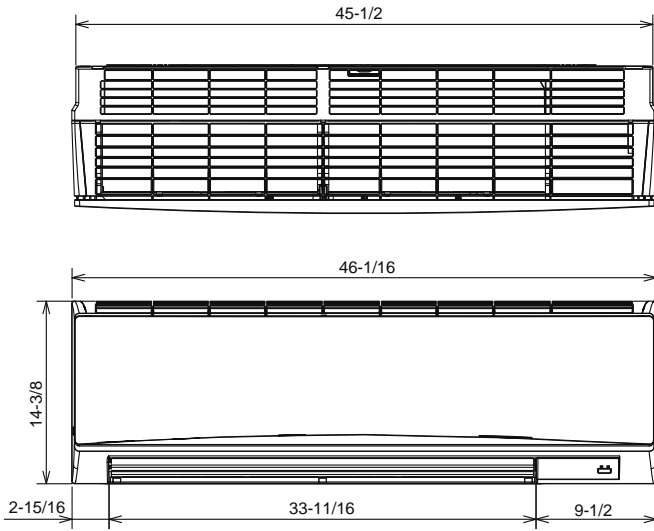
<sup>2</sup> Allows indoor units to connect to an MA Controller

## ACCESSORIES: MUZ-D30NA

Drain Socket	□ MAC-811DS
Outdoor Unit 3-1/4 inch Mounting Base (Pair) - Plastic	□ DSD-400P
Condensing Unit Mounting Pad 16" x 36" x 3"	□ ULTRILITE1
Outdoor Unit Stand — 12" High	□ QSMS1201M
Outdoor Unit Stand — 18" High	□ QSMS1801M
Outdoor Unit Stand — 24" High	□ QSMS2401M
Heavy Duty Wall Mounting Bracket— Coated Steel	□ QSWB2000M-1
Heavy Duty Wall Mounting Bracket — 316 Series Stainless Steel	□ QSWBSS
10' x 3/8" x 10' x 5/8" Lineset (Twin-Tube Insulation)	□ MPLS385812T-10
15' x 3/8" x 15' x 5/8" Lineset (Twin-Tube Insulation)	□ MPLS385812T-15
30' x 3/8" x 30' x 5/8" Lineset (Twin-Tube Insulation)	□ MPLS385812T-30
50' x 3/8" x 50' x 5/8" Lineset (Twin-Tube Insulation)	□ MPLS385812T-50
65' x 3/8" x 65' x 5/8" Lineset (Twin-Tube Insulation)	□ MPLS385812T-65
100' x 3/8" x 100' x 5/8" Lineset (Twin-Tube Insulation)	□ MPLS385812T-100

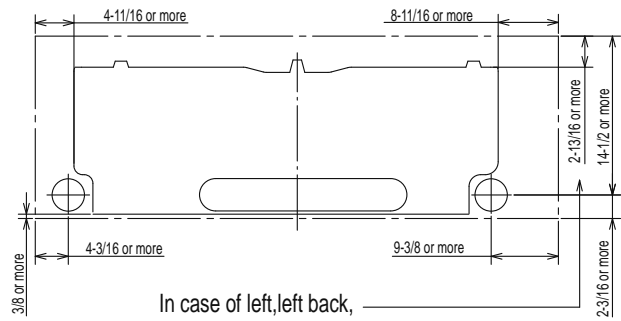
# DIMENSIONS: MSZ-D30NA

Unit: inch



	Piping	Insulation
Liquid line	$\varnothing 3/8$ 19-11/16 (Flared connection $\varnothing 3/8$ )	$\varnothing 1-1/4$ O.D $\varnothing 9/16$ I.D
Gas line	$\varnothing 5/8$ 16-7/8 (Joint connection $\varnothing 5/8$ )	$\varnothing 1-15/16$ O.D $\varnothing 1-1/4$ I.D
Joint	$\varnothing 5/8$ (Flared connection $\varnothing 5/8$ )	$\varnothing 1-15/16$ O.D $\varnothing 1-1/4$ I.D
Drain hose	Insulation $\varnothing 1-1/8$ Connected part $\varnothing 5/8$ O.D	

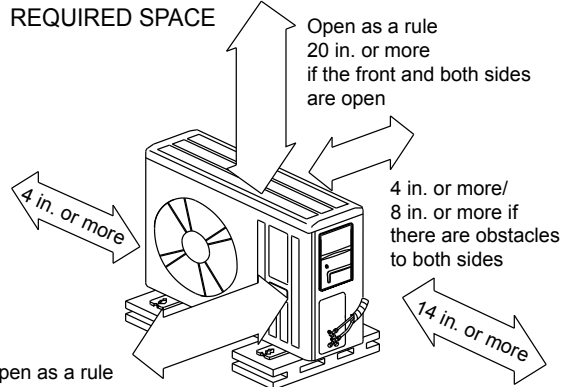
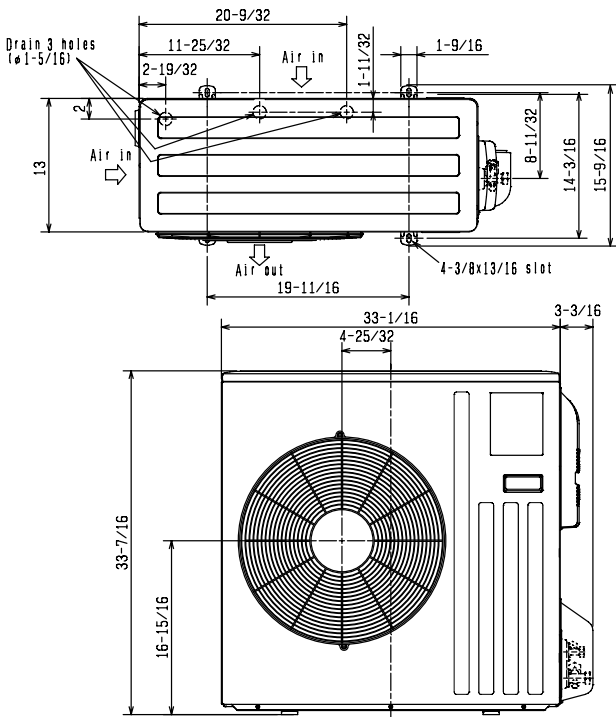
## Required Space (Indoor Unit)



In case of left, left back,  
or left under piping (using spacer) 5-1/8 or more

# DIMENSIONS: MUZ-D30NA

**Unit: inch**



Open as a rule  
20 in. or more if the back,  
both sides and top are open

