

## OUTDOOR UNIT

# PARTS CATALOG



**No. OBB502  
REVISED EDITION-C**

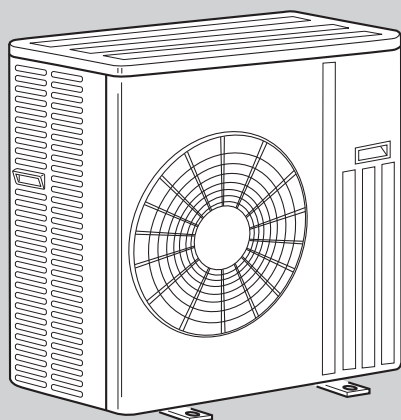
### Models

**MUZ-D30NA / -  1 / -  U1 / -  U2**

**MUZ-D36NA / -  1 / -  U1 / -  U2**

**MUY-D30NA / -  1**

**MUY-D36NA / -  1**



### CONTENTS

- 1. SERVICE PARTS LIST ..... 2
- 2. OPTIONAL PARTS ..... 6

**SERVICE MANUAL (OBH502)**

**Revision A:**

• MUZ-D•NA- [1], - [U2] and MUY-D•NA- [1] have been corrected.

**Revision B:**

• The fan guard for MUZ-D30NA, - [1], - [U1], - [U2] and MUZ-D36NA, - [1], - [U1], - [U2] has been changed.

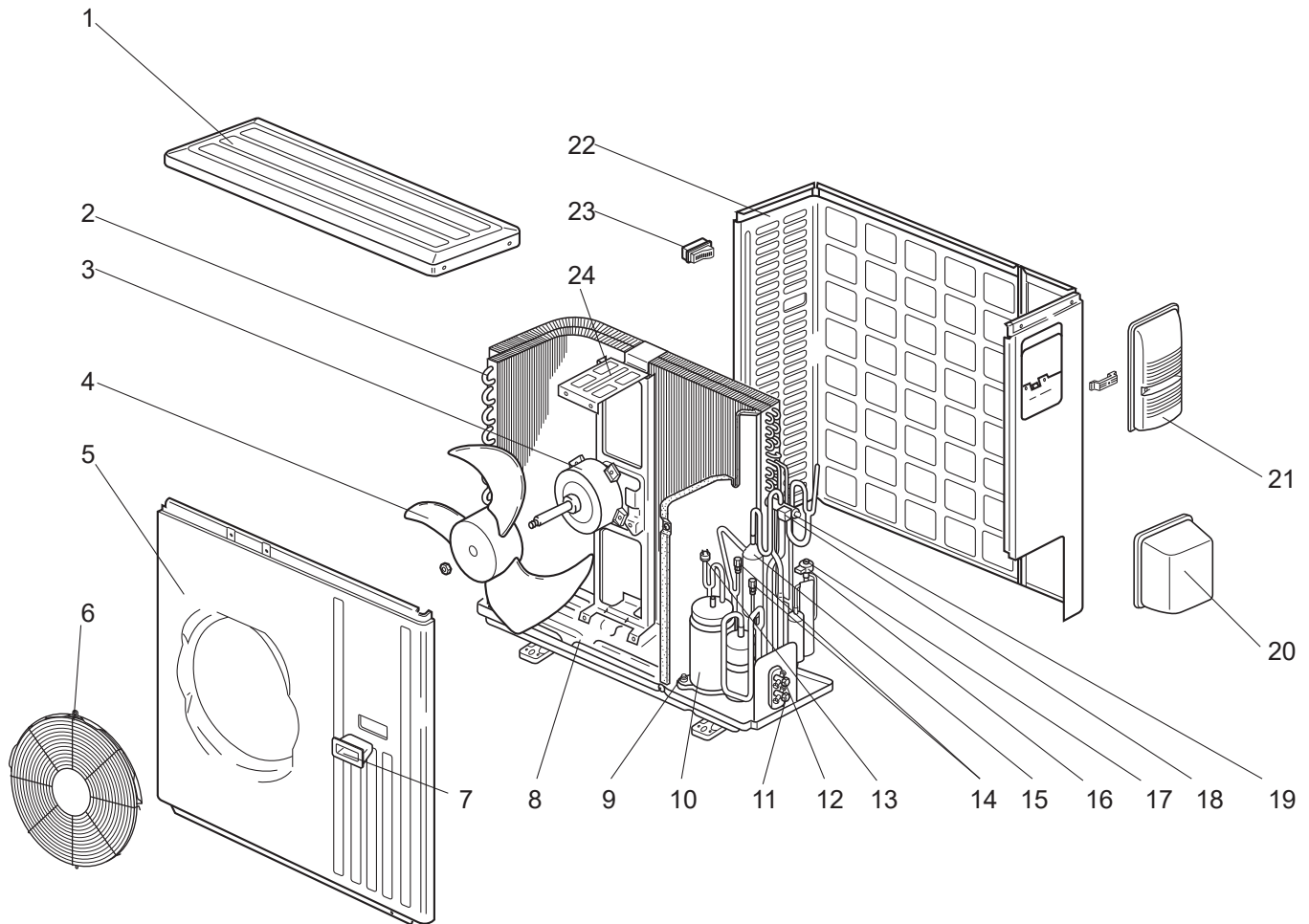
**Revision C:**

• Parts numbers have been changed.

**1 SERVICE PARTS LIST**

**MUZ-D30NA MUZ-D36NA MUY-D30NA MUY-D36NA**

**1-1. OUTDOOR UNIT STRUCTURAL PARTS AND FUNCTIONAL PARTS**



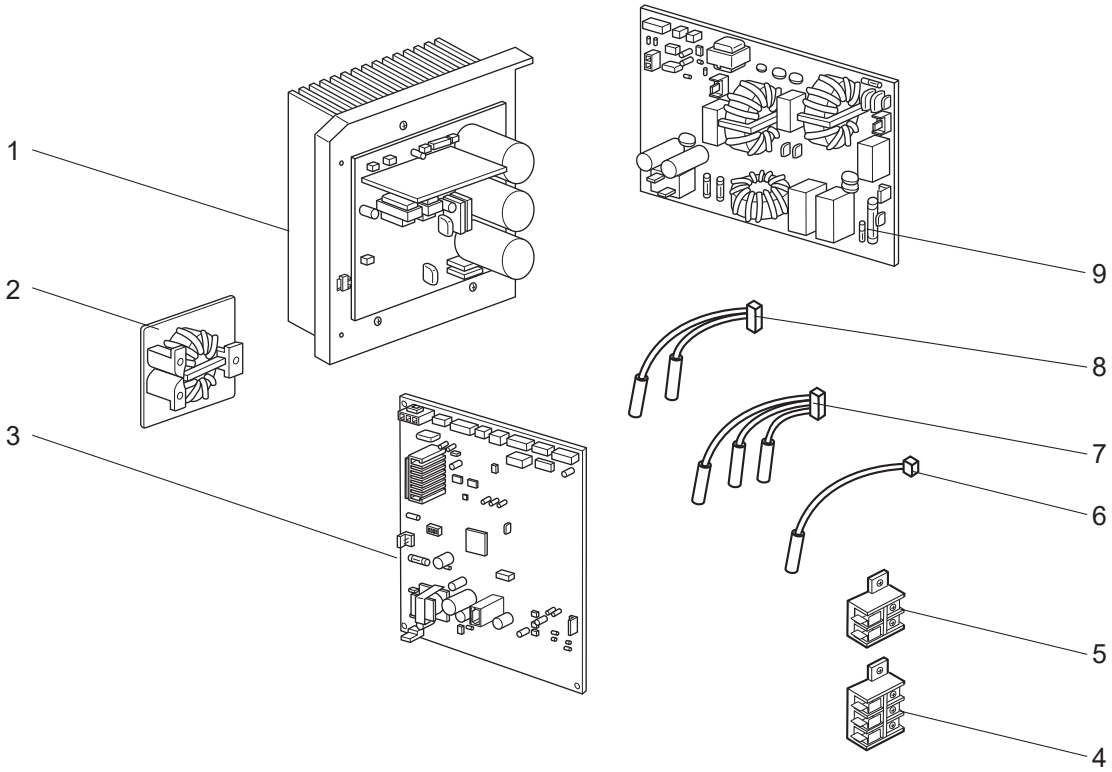
## 1-1. OUTDOOR UNIT STRUCTURAL PARTS AND FUNCTIONAL PARTS

1. The part quantity below indicates the required number of pieces per unit.

2. The circled No. indicates that the part is not shown in the figure.

No.	Part No.	Part Name													Symbol in Wiring Diagram	Remarks
			MUZ-D30NA	MUZ-D30NA- <input type="checkbox"/> 1	MUZ-D30NA- <input type="checkbox"/> U1	MUZ-D30NA- <input type="checkbox"/> U2	MUZ-D36NA	MUZ-D36NA- <input type="checkbox"/> 1	MUZ-D36NA- <input type="checkbox"/> U1	MUZ-D36NA- <input type="checkbox"/> U2	MUY-D30NA	MUY-D30NA- <input type="checkbox"/> 1	MUY-D36NA	MUY-D36NA- <input type="checkbox"/> 1		
1	E22 819 297	TOP PANEL	1	1	1	1	1	1	1	1	1	1	1	1		
2	E22 D20 630	OUTDOOR HEAT EXCHANGER	1	1	1	1	1	1	1	1						
2	E22 D21 630	OUTDOOR HEAT EXCHANGER									1	1	1	1		
3	E22 A58 301	OUTDOOR FAN MOTOR	1		1		1		1		1		1		MF	RC0J60-□□
3	E22 E34 301	OUTDOOR FAN MOTOR		1		1		1		1		1		1	MF	RC0J77-□□
4	E22 851 501	PROPELLER FAN	1	1	1	1	1	1	1	1	1	1	1	1		
5	E22 L66 232	CABINET	1	1	1	1	1	1	1	1	1	1	1	1		
6	E22 D84 521	FAN GUARD	1	1	1	1	1	1	1	1						Includes ice guard
6	E22 819 521	FAN GUARD									1	1	1	1		
7	E22 819 009	HANDLE	1	1	1	1	1	1	1	1	1	1	1	1		
8	E22 D20 290	BASE	1	1	1	1	1	1	1	1	1	1	1	1		
9	E22 853 506	COMPRESSOR RUBBER SET	3	3	3	3	3	3	3	3	3	3	3	3		3RUBBERS/SET
10	E22 853 900	COMPRESSOR	1	1	1	1	1	1	1	1	1	1	1	1	MC	TNB220FMCHT
11	E22 A58 661	STOP VALVE (GAS) (ø15.88)	1	1	1	1	1	1	1	1						ø5/8
11	E22 D21 661	STOP VALVE (GAS) (ø15.88)									1	1	1	1		ø5/8
12	E22 822 662	STOP VALVE (LIQUID) (ø9.52)	1	1	1	1	1	1	1	1						ø3/8
12	E22 819 662	STOP VALVE (LIQUID) (ø9.52)									1	1	1	1		ø3/8
13	E22 853 646	HIGH PRESSURE SWITCH	1	1	1	1	1	1	1	1	1	1	1	1	HPS	
14	E22 A49 641	SERVICE PORT	2	2	2	2	2	2	2	2	2	2	2	2		1 PC/SET
15	E22 D20 299	OIL SEPARATOR	1	1	1	1	1	1	1	1	1	1	1	1		
16	E22 851 493	EXPANSION VALVE COIL	1	1	1	1	1	1	1	1	1	1	1	1	LEV	
17	E22 853 640	EXPANSION VALVE	1	1	1	1	1	1	1	1	1	1	1	1		
18	E22 A58 490	R.V. COIL	1	1	1	1	1	1	1	1					21S4	
19	E22 A56 961	4-WAY VALVE	1	1	1	1	1	1	1	1						
20	E22 819 650	VALVE COVER	1	1	1	1	1	1	1	1	1	1	1	1		
21	E22 D20 245	SERVICE PANEL	1	1	1	1	1	1	1	1	1	1	1	1		
22	E22 D20 233	BACK PANEL (OUT)	1	1	1	1	1	1	1	1	1	1	1	1		
23	E22 817 009	HANDLE	1	1	1	1	1	1	1	1	1	1	1	1		
24	E22 851 515	MOTOR SUPPORT	1	1	1	1	1	1	1	1						
24	E22 D21 515	MOTOR SUPPORT									1	1	1	1		
②5	E22 861 936	CAPILLARY TUBE (ø1.8 × ø0.6 × 1000)	1	1	1	1	1	1	1	1	1	1	1	1		O.D. 0.071 × I.D. 0.024 × 39-3/8
②6	E22 853 936	CAPILLARY TUBE (ø3.6 × ø2.4 × 50)	1	1	1	1	1	1	1	1						O.D. 0.142 × I.D. 0.094 × 1-31/32
②7	E22 9G0 936	CAPILLARY TUBE (ø3.6 × ø2.4 × 50)									1	1	1	1		O.D. 0.142 × I.D. 0.094 × 1-31/32

**MUZ-D30NA MUZ-D36NA MUY-D30NA MUY-D36NA**  
**1-2. OUTDOOR UNIT ELECTRICAL PARTS**



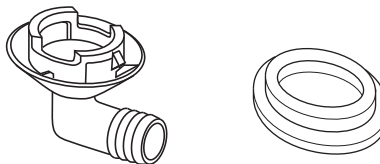
## 1-2. OUTDOOR UNIT ELECTRICAL PARTS

1. The part quantity below indicates the required number of pieces per unit.
2. The circled No. indicates that the part is not shown in the figure.

No.	Part No.	Part Name	MUZ-D30NA	MUZ-D30NA-1	MUZ-D30NA-U1	MUZ-D30NA-U2	MUZ-D36NA	MUZ-D36NA-1	MUZ-D36NA-U1	MUZ-D36NA-U2	MUY-D30NA	MUY-D30NA-1	MUY-D36NA	MUY-D36NA-1	Symbol in Wiring Diagram	Remarks
			1	1	1	1	1	1	1	1	1	1	1	1		
1	E22 D20 440	POWER BOARD	1	1	1	1	1	1	1	1	1	1	1	1		Includes heat sink and RT64
2	E22 D20 337	REACTOR	1	1	1	1	1	1	1	1	1	1	1	L		
3	E22 C87 450	OUTDOOR ELECTRONIC CONTROL P.C. BOARD	1													
3	E22 D22 450	OUTDOOR ELECTRONIC CONTROL P.C. BOARD			1											
3	E22 D20 450	OUTDOOR ELECTRONIC CONTROL P.C. BOARD					1									
3	E22 D23 450	OUTDOOR ELECTRONIC CONTROL P.C. BOARD							1							
3	E22 C91 450	OUTDOOR ELECTRONIC CONTROL P.C. BOARD									1					
3	E22 D21 450	OUTDOOR ELECTRONIC CONTROL P.C. BOARD											1			
3	E22 E62 450	OUTDOOR ELECTRONIC CONTROL P.C. BOARD		1												
3	E22 E66 450	OUTDOOR ELECTRONIC CONTROL P.C. BOARD				1										
3	E22 E63 450	OUTDOOR ELECTRONIC CONTROL P.C. BOARD						1								
3	E22 E67 450	OUTDOOR ELECTRONIC CONTROL P.C. BOARD								1						
3	E22 E60 450	OUTDOOR ELECTRONIC CONTROL P.C. BOARD										1				
3	E22 E61 450	OUTDOOR ELECTRONIC CONTROL P.C. BOARD												1		
4	E22 935 374	TERMINAL BLOCK	1	1	1	1	1	1	1	1	1	1	1	TB2	3 P	
5	E22 D20 374	TERMINAL BLOCK	1	1	1	1	1	1	1	1	1	1	1	TB1	2 P	
6	E22 935 309	AMBIENT TEMPERATURE THERMISTOR	1	1	1	1	1	1	1	1	1	1	1	RT65		
7	E22 851 308	THERMISTOR SET	1	1	1	1	1	1	1	1				RT61, RT62, RT68	DEFROST, DISCHARGE TEMPERATURE, OUTDOOR HEAT EXCHANGER TEMPERATURE	
8	E22 A53 308	THERMISTOR SET									1	1	1	RT62, RT68	DISCHARGE TEMPERATURE, OUTDOOR HEAT EXCHANGER TEMPERATURE	
9	E22 D20 444	NOISE FILTER P.C. BOARD	1	1	1	1	1	1	1	1						
9	E22 D21 444	NOISE FILTER P.C. BOARD									1	1	1			
⑩	E27 250 382	FUSE	1	1	1	1	1	1	1	1	1	1	1	F65, F66	T6.3AL250V	
⑪	E22 784 382	FUSE	1	1	1	1	1	1	1	1	1	1	1	F801	T3.15AL250V	
⑫	E22 661 385	VARISTOR	1	1	1	1	1	1	1	1	1	1	1	NR64		
⑬	E22 977 385	FUSE & VARISTOR SET	1	1	1	1	1	1	1	1	1	1	1	F64, NR64	T2AL250V	

## 2-1. DRAIN SOCKET ASSEMBLY

Model	Parts No.
MUZ-D30/36NA MUY-D30/36NA	MAC-811DS

**MITSUBISHI ELECTRIC CORPORATION**

HEAD OFFICE: TOKYO BUILDING, 2-7-3, MARUNOUCHI, CHIYODA-KU, TOKYO 100-8310, JAPAN

© Copyright 2008 MITSUBISHI ELECTRIC CORPORATION

Issued: Feb. 2024. No. OBB502 REVISED EDITION-C

Issued: Jun. 2010. No. OBB502 REVISED EDITION-B 5

Issued: Jan. 2009. No. OBB502 REVISED EDITION-A 5

Published: Feb. 2008. No. OBB502 7

Made in Japan

Specifications are subject to change without notice.