

SUBMITTAL DATA: MSZ-GE18NA-9

18,000 BTU/H WALL-MOUNTED INDOOR UNIT FOR MXZ MULTI-ZONE HEAT-PUMP SYSTEMS

 Job Name:

System Reference:	Date:
-------------------	-------



Indoor Unit: MSZ-GE18NA-9



Wireless Remote Controller

GENERAL FEATURES

- Wall-mounted indoor unit
- Nano Platinum and Anti-allergy Enzyme filters are included
- Quiet operation
- Auto fan speed control: Quiet, Low, Medium, High, and Super High
- Hand-held Wireless Remote Controller
- Indoor unit powered from outdoor unit using A-Control
- Auto restart following a power outage
- Limited warranty: five years parts and seven years compressor

ACCESSORIES
Indoor Unit

- Condensate Pump (230V; SI3100-230)

Controller Options

- Wireless Wall-mounted Remote Controller Kit (MHK1)*
- Portable Central Controller (MCCH1)*
- Outdoor Air Sensor (MOS1)*
- Wired Wall-mounted Controller (PAR-31MAA requires MAC-333IF)*
- Simple MA Remote Controller (PAC-YT53CRAU requires MAC-333IF)*
- *See Submittal for information on each option.
- System Control Interface (MAC-333IF)
- Remote Temperature Sensor (M21-JKO-307)
- Lockdown Bracket for Hand-held Controller (RCMKP1CB)

SPECIFICATIONS

Cooling Capacity* 17,200 Btu/h
Heating Capacity* 21,600 Btu/h

*** Rating Conditions per AHRI Standard**

Cooling | Indoor: 80° F (27° C) DB / 67° F (19° C) WB
 Cooling | Outdoor: 95° F (35° C) DB / 75° F (24° C) WB
 Heating at 47°F | Indoor: 70° F (21° C) DB / 60° F (16° C) WB
 Heating at 47°F | Outdoor: 47° F (8° C) DB / 43° F (6° C) WB

(For data on specific indoor units [all ducted, all non-ducted, and both ducted and non-ducted] combinations, see the MXZ Technical and Service Manual.)

Electrical Requirements

Power Supply 208 / 230V, 1-Phase, 60 Hz
 MCA 1 A

Voltage

Indoor - Outdoor S1-S2 AC 208 / 230V
 Indoor - Outdoor S2-S3 DC ±24V
 Indoor - Remote Controller MHK1 DC 3V
 PAR-31MAA DC 12V
 PAC-YT53CRAU DC 12V

Blower Motor (ECM) 0.76 F.L.A.

Airflow (Quiet - Lo - Med - Hi - Super Hi)

Cooling	230 - 275 - 339 - 420 - 533 Dry CFM 194 - 240 - 304 - 385 - 498 Wet CFM
Heating	230 - 275 - 339 - 431 - 512 CFM

Sound Pressure Level (Quiet - Lo - Med - Hi - Super Hi)

Cooling	28 - 33 - 38 - 44 - 49 dB(A)
Heating	28 - 33 - 38 - 43 - 49 dB(A)

DIMENSIONS	UNIT INCHES / MM
W	31-7/16 / 799
D	9-1/8 / 232
H	11-5/8 / 295

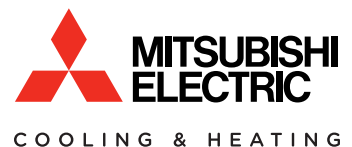
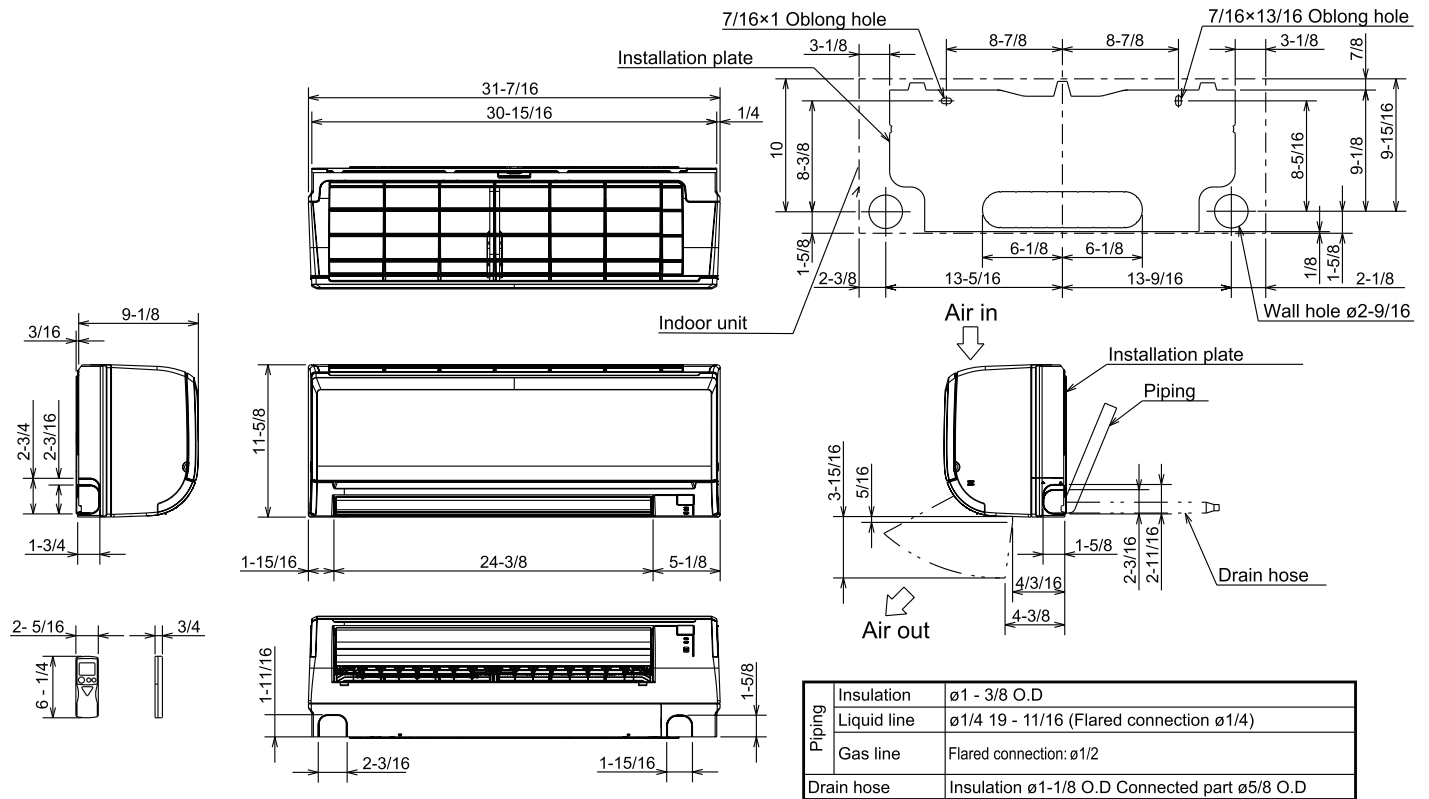
Weight22 lbs. / 10 kg
 External Finish Munsell No. 1.0Y 9.2 / 0.2
 Field Drainpipe Size O.D. 5/8" / 15.88 mm

Refrigerant Type R410A
 Refrigerant Pipe Size O.D.
 Gas Side 1/2" / 12.7 mm
 Liquid Side 1/4" / 6.35 mm
 Connection Method Flared



DIMENSIONS: MSZ-GE18NA-9

Unit: inch



1340 Satellite Boulevard
Suwanee, GA 30024
Toll Free: 800-433-4822
www.mehvac.com