

## SUBMITTAL DATA: MSY-GE18NA-9 & MUY-GE18NA-1

18,000 BTU/H WALL-MOUNTED AIR-CONDITIONING SYSTEMS

Job Name:

System Reference:

Date:



Indoor Unit: MSY-GE18NA-9


 Wireless Remote  
Controller


Outdoor Unit: MUY-GE18NA-1

### GENERAL FEATURES

- Wall-mounted indoor unit
- Standard Hybrid Catechin Prefilter is included with indoor unit
- Quiet operation
- Auto fan speed control: Quiet, Low, Medium, High, and Super High
- Hand-held Wireless Remote Controller
- Indoor unit powered from outdoor unit using A-Control
- Auto restart following a power outage
- Anti-allergy Enzyme Filter
- Limited warranty: five years parts and seven years compressor

### ACCESSORIES

#### Outdoor Unit

- Drain Socket Assembly (MAC-811DS)

#### Indoor Unit

- Condensate Pump (230V; SI3100-230)

#### Controller Options

- Wireless Wall-mounted Remote Controller Kit (MHK1)\*
- Portable Central Controller (MCCH1)\*
- Outdoor Air Sensor (MOS1)\*
- Wired Wall-mounted Controller  
(PAR-31MAA requires MAC-333IF)\*
- Simple MA Remote Controller  
(PAC-YT53CRAU requires MAC-333IF)\*

\*See Submittal for information on each option.

- System Control Interface (MAC-333IF)
- Remote Temperature Sensor (M21-JKO-307)
- Lockdown Bracket for Hand-held Controller (RCMKP1CB)



# SPECIFICATIONS: MSY-GE18NA & MUY-GE18NA

### Cooling\*

Rated Capacity . . . . .17,200 Btu/h  
Minimum Capacity . . . . .3,700 Btu/h  
SEER . . . . .19.2 Btu/h/W  
Total Input . . . . . 1,640 W

### \* Rating Conditions per AHRI Standard

Cooling | Indoor: 80° F (27° C) DB / 67° F (19° C) WB  
Cooling | Outdoor: 95° F (35° C) DB / 75° F (24° C) WB

### Electrical Requirements

Power Supply . . . . . 208 / 230V, 1-Phase, 60 Hz  
Breaker Size . . . . . 15 A

### Voltage

Indoor - Outdoor S1-S2 . . . . . AC 208 / 230V  
Indoor - Outdoor S2-S3 . . . . . DC ±24V  
Indoor - Remote Controller . . . . . MHK1 DC 3V  
PAR-31MAA DC 12V  
PAC-YT53CRAU DC 12V

### OPERATING RANGE

		Indoor Intake Air Temp.	Outdoor Intake Air Temp.
Cooling	Maximum	90° F (32° C) DB, 73° F (23° C) WB	115° F (46° C) DB
	Minimum	67° F (19° C) DB, 57° F (14° C) WB	14° F (-10° C) DB

### Indoor Unit

MCA . . . . . 1 A  
Blower Motor (ECM) . . . . . 0.76 F.L.A.  
Airflow (Quiet - Lo - Med - Hi - Super Hi)  
Cooling . . . . . 230 - 275 - 339 - 420 - 533 Dry CFM  
194 - 240 - 304 - 385 - 498 Wet CFM

Sound Pressure Level (Quiet - Lo - Med - Hi - Super Hi)  
Cooling . . . . . 28 - 33 - 38 - 44 - 49 dB(A)

DIMENSIONS	UNIT INCHES / MM
W	31-7/16 / 799
D	9-1/8 / 232
H	11-5/8 / 295

Weight . . . . . 22 lbs. / 10 kg  
External Finish . . . . . Munsell No. 1.0Y 9.2 / 0.2  
Field Drainpipe Size O.D. . . . . 5/8" / 15.88 mm

### Outdoor Unit

Compressor . . . . . DC Inverter-driven Twin Rotary  
MCA . . . . . 14 A  
Fan Motor (ECM) . . . . . 0.93 F.L.A.  
Sound Pressure Level  
Cooling . . . . . 54 dB(A)

DIMENSIONS	INCHES / MM
W	33-1/16 / 840
D	13 / 330
H	33-7/16 / 849

Weight . . . . . 119 lbs. / 54 kg  
External Finish . . . . . Munsell No. 3Y 7.8 / 1.1

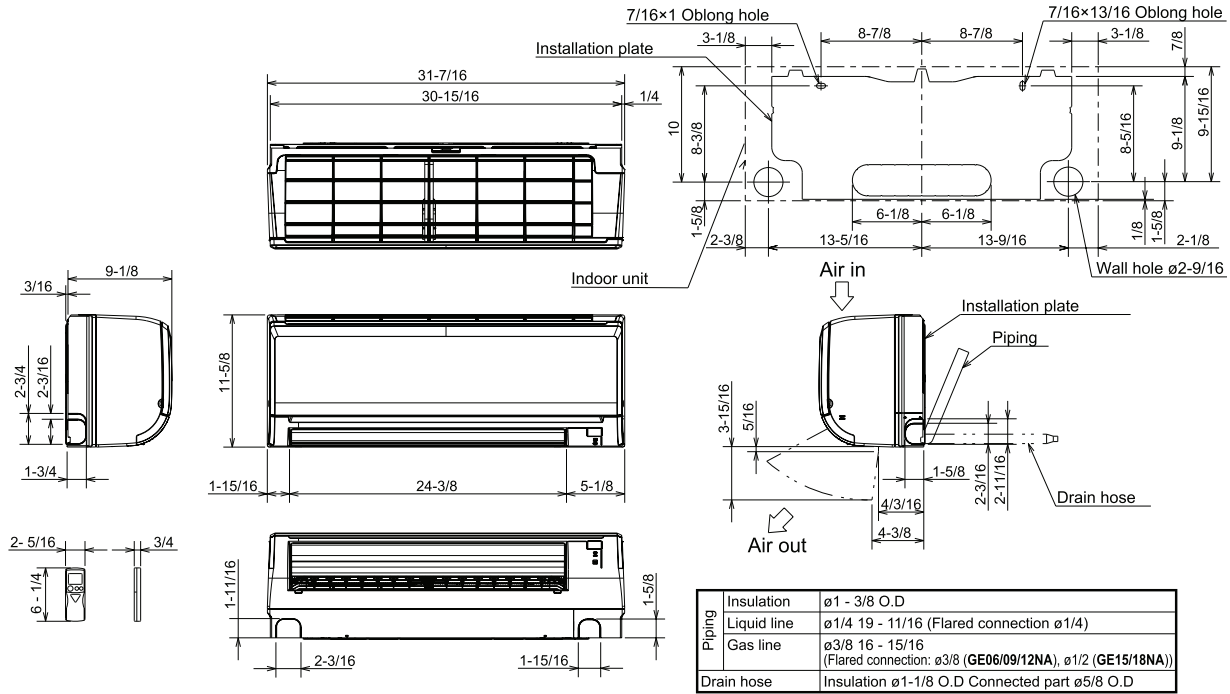
Refrigerant Type . . . . . R410A  
Refrigerant Pipe Size O.D.  
Gas Side . . . . . 1/2" / 12.7 mm  
Liquid Side . . . . . 1/4" / 6.35 mm  
Max. Refrigerant Pipe Length . . . . . 100 ft. / 30 m  
Max. Refrigerant Pipe Height Difference . . . . . 50 ft. / 15 m  
Connection Method . . . . . Flared

Notes:

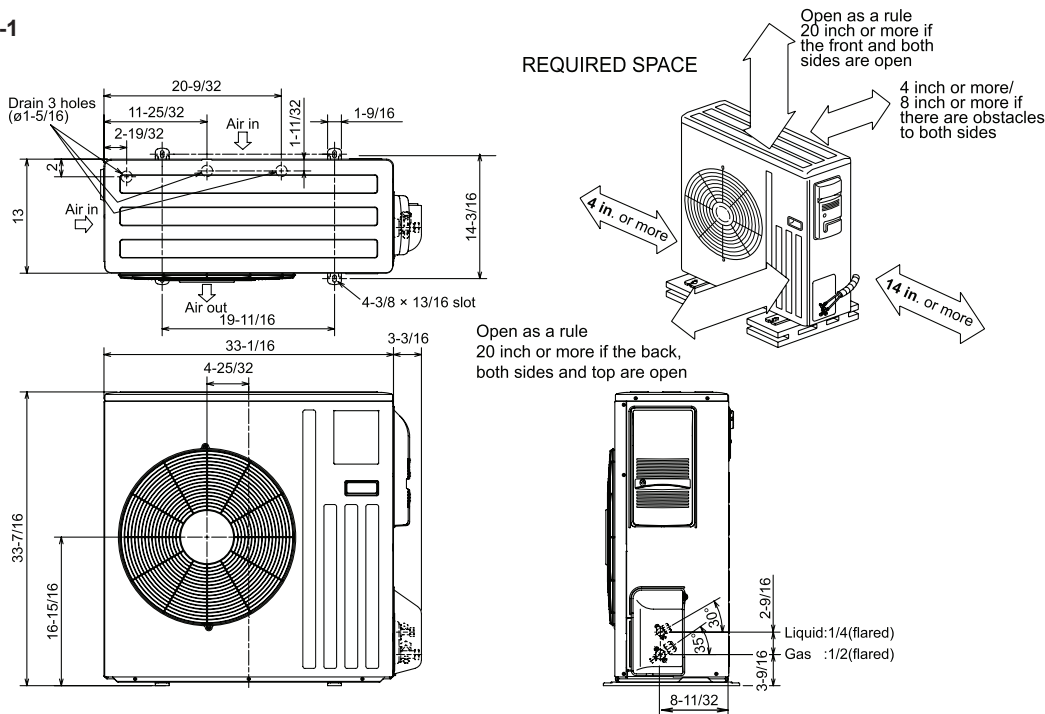
# DIMENSIONS: MSY-GE18NA-9 & MUY-GE18NA-1

**MSY-GE18NA-9**

**Unit: inch**



**MUY-GE18NA-1**



COOLING & HEATING

1340 Satellite Boulevard  
Suwanee, GA 30024  
Toll Free: 800-433-4822  
www.mehvac.com