

**Revision D:**

• MSZ-GE06/09/12/15/18NA-9 and MSY-GE09/12/15/18NA-9 have been added.

Please void OBB548 REVISED EDITION-C

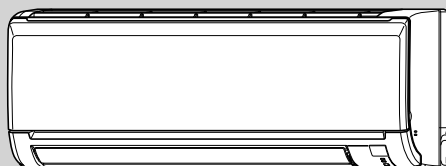
**INDOOR UNIT**

**PARTS CATALOG**

**No. OBB548  
REVISED EDITION-D**

**Models**

<b>MSZ-GE06NA</b>	<b>MSZ-GE06NA-</b>	<input type="checkbox"/> 8	,	<input type="checkbox"/> 9
<b>MSZ-GE09NA</b>	<b>MSZ-GE09NA-</b>	<input type="checkbox"/> 8	,	<input type="checkbox"/> 9
<b>MSZ-GE12NA</b>	<b>MSZ-GE12NA-</b>	<input type="checkbox"/> 8	,	<input type="checkbox"/> 9
<b>MSZ-GE15NA</b>	<b>MSZ-GE15NA-</b>	<input type="checkbox"/> 8	,	<input type="checkbox"/> 9
<b>MSZ-GE18NA</b>	<b>MSZ-GE18NA-</b>	<input type="checkbox"/> 8	,	<input type="checkbox"/> 9
<b>MSZ-GE24NA</b>				
<b>MSY-GE09NA</b>	<b>MSY-GE09NA-</b>	<input type="checkbox"/> 8	,	<input type="checkbox"/> 9
<b>MSY-GE12NA</b>	<b>MSY-GE12NA-</b>	<input type="checkbox"/> 8	,	<input type="checkbox"/> 9
<b>MSY-GE15NA</b>	<b>MSY-GE15NA-</b>	<input type="checkbox"/> 8	,	<input type="checkbox"/> 9
<b>MSY-GE18NA</b>	<b>MSY-GE18NA-</b>	<input type="checkbox"/> 8	,	<input type="checkbox"/> 9
<b>MSY-GE24NA</b>				



**MSZ-GE06/09/12/15/18NA  
MSY-GE09/12/15/18NA**

**CONTENTS**

1. RoHS PARTS LIST..... 2
2. OPTIONAL PARTS..... 18

**SERVICE MANUAL (OBH548)**

**NOTE:**

RoHS compliant products have <G> mark on the spec name plate.

**Mr. SLIM™**

**Revision A:**

• MSZ-GE24NA and MSY-GE24NA have been added.

**Revision B:**

• MSZ-GE06/09/12/15/18NA-**8** and MSY-GE09/12/15/18NA-**8** have been added.

**Revision C:**

• Electronic control P.C. boards for MSZ-GE06/09/12/15/18/24NA have been changed.

**Revision D:**

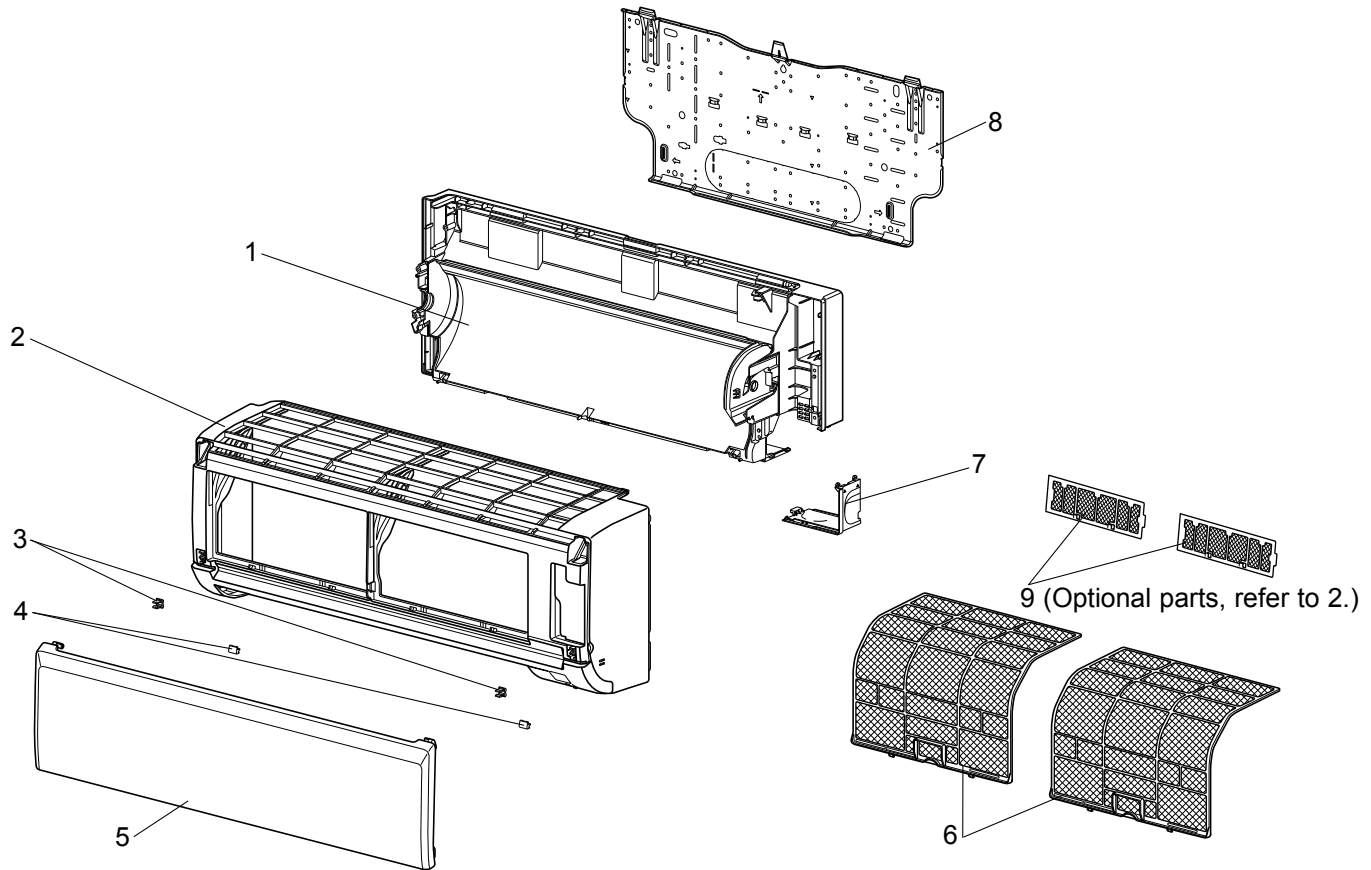
• MSZ-GE06/09/12/15/18NA-**9** and MSY-GE09/12/15/18NA-**9** have been added.

**1**

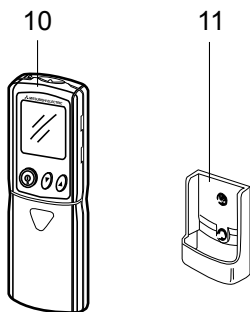
**RoHS PARTS LIST**

**MSZ-GE06NA MSZ-GE09NA MSZ-GE12NA MSZ-GE15NA MSZ-GE18NA  
MSY-GE09NA MSY-GE12NA MSY-GE15NA MSY-GE18NA**

**1-1. INDOOR UNIT STRUCTURAL PARTS**



**1-2. ACCESSORY AND REMOTE CONTROLLER**



# RoHS PARTS LIST

## 1-1. INDOOR UNIT STRUCTURAL PARTS

No.	RoHS	Part No.	Part name	Symbol in Wiring Diagram	Q'ty/unit								Remarks	
					MSZ-GE				MSY-GE					
					06 NA	09 NA	12 NA	15 NA	18 NA	09 NA	12 NA	15 NA		18 NA
1	G	E12 D68 234	BOX ASSEMBLY		1	1	1	1	1	1	1	1	1	
2	G	E12 E79 000	PANEL ASSEMBLY		1	1	1	1	1	1	1	1	1	Including No. 3,4,5
3	G	E12 408 142	CATCH		2	2	2	2	2	2	2	2	2	2 PCS/SET
4	G	E12 913 067	SCREW CAP		2	2	2	2	2	2	2	2	2	2 PCS/SET
5	G	E12 E79 010	FRONT PANEL		1	1	1	1	1	1	1	1	1	
6	G	E12 D68 100	CATECHIN AIR FILTER		2	2	2	2	2	2	2	2	2	1 PC/SET
7	G	E12 D68 975	CORNER BOX (RIGHT)		1	1	1	1	1	1	1	1	1	
8	G	E12 D68 970	INSTALLATION PLATE		1	1	1	1	1	1	1	1	1	
9	G	-	AIR CLEANING FILTER (ANTI-ALLERGY ENZYME FILTER)		2	2	2	2	2	2	2	2	2	MAC-408FT-E 2 PCS/SET

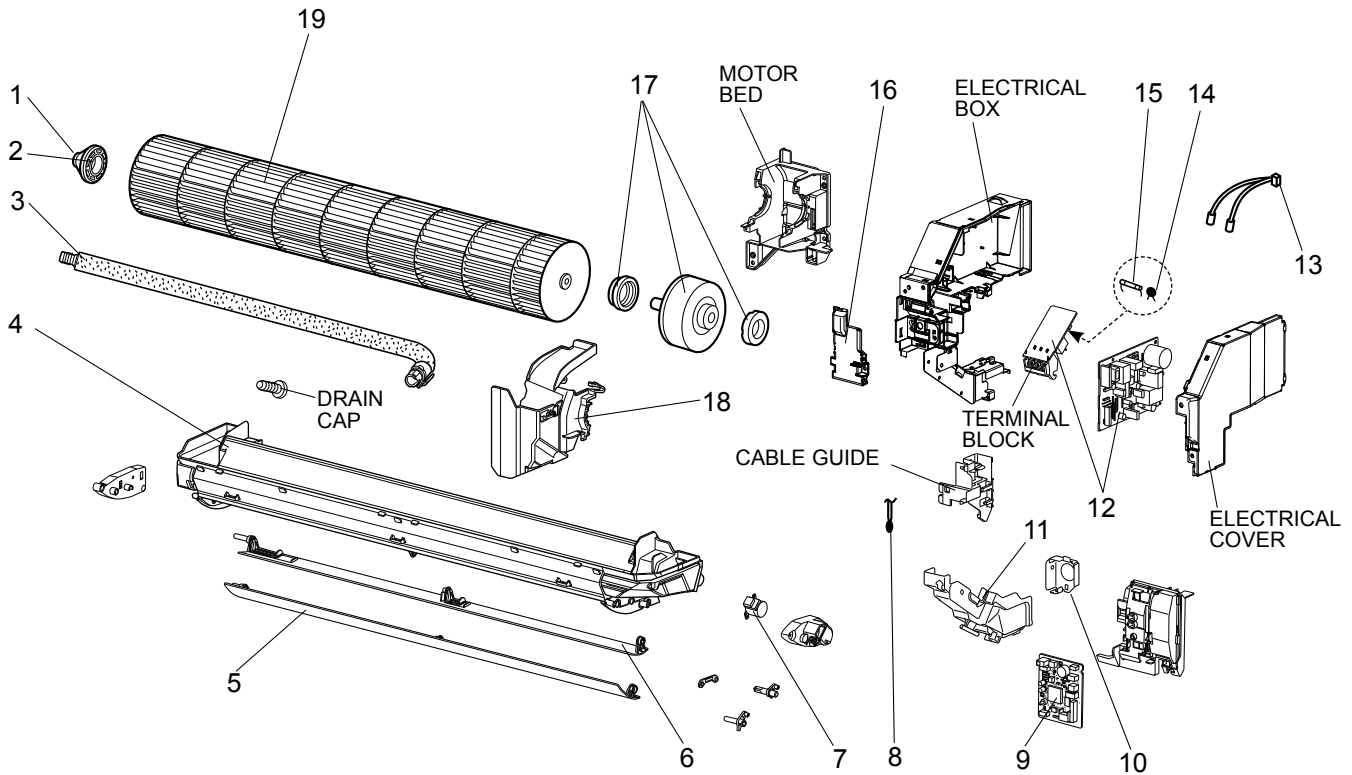
## 1-2. ACCESSORY AND REMOTE CONTROLLER

10	G	E12 E79 426	REMOTE CONTROLLER		1	1	1	1	1					KM09E
	G	E12 E83 426	REMOTE CONTROLLER							1	1	1	1	KM09F
11	G	E12 527 083	REMOTE CONTROLLER HOLDER		1	1	1	1	1	1	1	1	1	

# RoHS PARTS LIST

MSZ-GE06NA MSZ-GE09NA MSZ-GE12NA MSZ-GE15NA MSZ-GE18NA  
MSY-GE09NA MSY-GE12NA MSY-GE15NA MSY-GE18NA

## 1-3. INDOOR UNIT ELECTRICAL PARTS AND FUNCTIONAL PARTS



# RoHS PARTS LIST

## 1-3. INDOOR UNIT ELECTRICAL PARTS AND FUNCTIONAL PARTS

No.	RoHS	Part No.	Part name	Symbol in Wiring Diagram	Q'ty/unit								Remarks		
					MSZ-GE					MSY-GE					
					06 NA	09 NA	12 NA	15 NA	18 NA	09 NA	12 NA	15 NA		18 NA	
1	G	E12 751 509	BEARING MOUNT		1	1	1	1	1	1	1	1	1		
2	G	E12 001 504	SLEEVE BEARING		1	1	1	1	1	1	1	1	1		
3	G	E12 897 702	DRAIN HOSE		1	1	1	1	1	1	1	1	1		
4	G	E12 E79 235	NOZZLE ASSEMBLY		1	1	1	1	1	1	1	1	1		
5	G	E12 D68 040	VANE (UPPER)		1	1	1	1	1	1	1	1	1		
6	G	E12 D68 041	VANE (LOWER)		1	1	1	1	1	1	1	1	1		
7	G	E12 A89 303	VANE MOTOR	MV	1	1	1	1	1	1	1	1	1	UP & DOWN	
8	G	E12 D68 308	ROOM TEMPERATURE THERMISTOR	RT11	1	1	1	1	1	1	1	1	1		
9	G	E12 G57 452	ELECTRONIC CONTROL P.C. BOARD		1										
	G	E12 G58 452				1									
	G	E12 G59 452					1								
	G	E12 G60 452						1							
	G	E12 G61 452							1						
	G	E12 E83 452								1					
	G	E12 E84 452									1				
	G	E12 E85 452											1		
	G	E12 E86 452											1		
10	G	E12 E79 978	CONDUIT PLATE		1	1	1	1	1	1	1	1	1		
11	G	E12 E79 979	CONDUIT COVER		1	1	1	1	1	1	1	1	1		
12	G	E12 E79 440	POWER P.C. BOARD ※1		1	1	1	1	1	1	1	1	1		
13	G	E12 D68 307	INDOOR COIL THERMISTOR	RT12,RT13	1	1	1	1	1	1	1	1	1		
14	G	E12 B75 385	VARISTOR	NR11	1	1	1	1	1	1	1	1	1		
15	G	E12 A49 382	FUSE	F11	1	1	1	1	1	1	1	1	1	T3.15AL250V	
16	G	E12 E79 784	V.A. CLAMP		1	1	1	1	1	1	1	1	1		
17	G	E12 E79 300	INDOOR FAN MOTOR ※2	MF	1	1	1	1	1	1	1	1	1	RC0J40-□□	
18	G	E12 D68 333	MOTOR BAND		1	1	1	1	1	1	1	1	1		
19	G	E12 A89 302	LINE FLOW FAN		1	1	1	1	1	1	1	1	1		

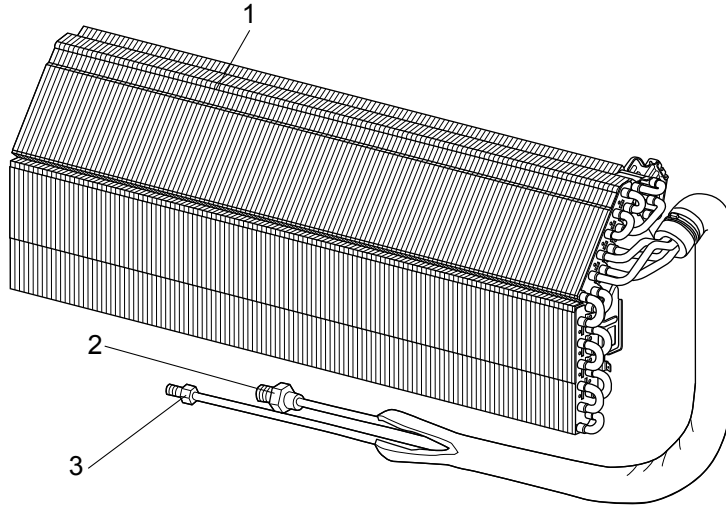
※1 Including TERMINAL BLOCK with TERMINAL P.C. BOARD

※2 Including FAN MOTOR RUBBER MOUNT (2 PCS/SET)

# RoHS PARTS LIST

MSZ-GE06NA MSZ-GE09NA MSZ-GE12NA MSZ-GE15NA MSZ-GE18NA  
 MSY-GE09NA MSY-GE12NA MSY-GE15NA MSY-GE18NA

## 1-4. INDOOR UNIT HEAT EXCHANGER

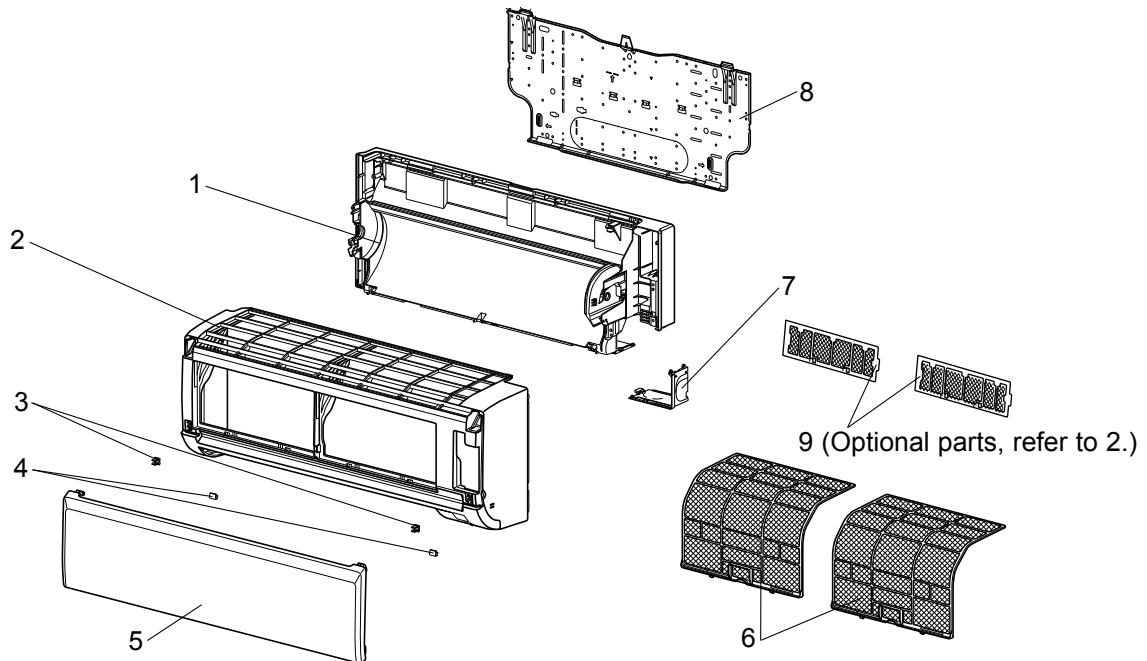


No.	RoHS	Part No.	Part name	Symbol in Wiring Diagram	Q'ty/unit								Remarks	
					MSZ-GE					MSY-GE				
					06 NA	09 NA	12 NA	15 NA	18 NA	09 NA	12 NA	15 NA		18 NA
1	G	E12 D68 620	INDOOR HEAT EXCHANGER		1	1	1			1	1			
	G	E12 D71 620						1	1			1	1	
2	G	E12 815 666	UNION (GAS) (ø9.52)		1	1	1			1	1			ø3/8
	G	E12 155 666	UNION (GAS) (ø12.7)					1	1			1	1	ø1/2
3	G	E12 151 667	UNION (LIQUID) (ø6.35)		1	1	1	1	1	1	1	1	1	ø1/4

# RoHS PARTS LIST

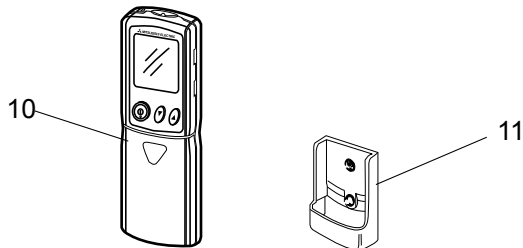
MSZ-GE06NA-8 MSZ-GE09NA-8 MSZ-GE12NA-8 MSZ-GE15NA-8 MSZ-GE18NA-8  
 MSY-GE09NA-8 MSY-GE12NA-8 MSY-GE15NA-8 MSY-GE18NA-8

## 1-5. INDOOR UNIT STRUCTURAL PARTS



No.	RoHS	Part No.	Part name	Symbol in Wiring Diagram	Q'ty/unit								Remarks	
					MSZ-GE				MSY-GE					
					06 NA	09 NA	12 NA	15 NA	18 NA	09 NA	12 NA	15 NA		18 NA
1	G	E12 D68 234	BOX ASSEMBLY		1	1	1	1	1	1	1	1	1	
2	G	E12 E79 000	PANEL ASSEMBLY		1	1	1	1	1	1	1	1	1	Including No. 3,4,5
3	G	E12 408 142	CATCH		2	2	2	2	2	2	2	2	2	2 PCS/SET
4	G	E12 913 067	SCREW CAP		2	2	2	2	2	2	2	2	2	2 PCS/SET
5	G	E12 E79 010	FRONT PANEL		1	1	1	1	1	1	1	1	1	
6	G	E12 F63 100	NANO PLATINUM FILTER		2	2	2	2	2	2	2	2	2	1 PC/SET
7	G	E12 D68 975	CORNER BOX (RIGHT)		1	1	1	1	1	1	1	1	1	
8	G	E12 D68 970	INSTALLATION PLATE		1	1	1	1	1	1	1	1	1	
9	G	-	AIR CLEANING FILTER (ANTI-ALLERGY ENZYME FILTER)		2	2	2	2	2	2	2	2	2	MAC-408FT-E 2 PCS/SET

## 1-6. ACCESSORY AND REMOTE CONTROLLER

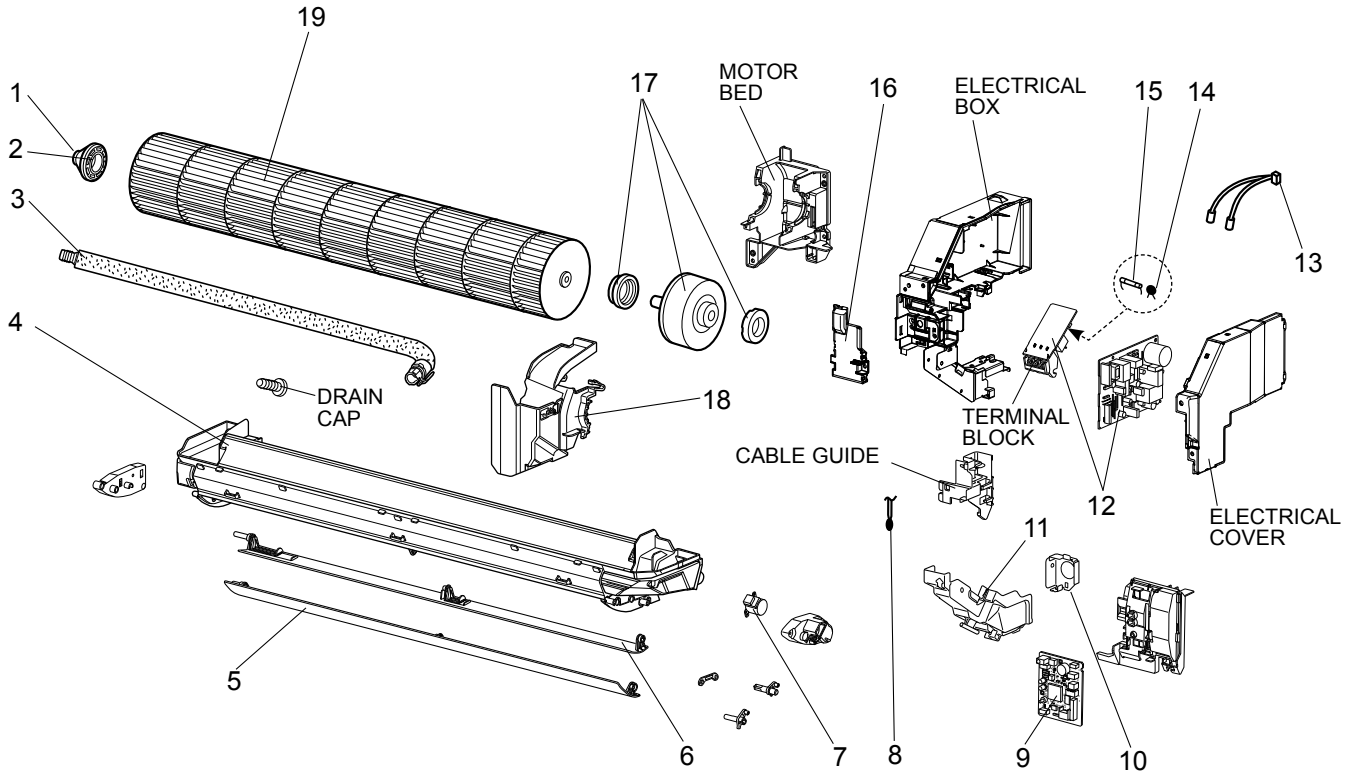


10	G	E12 E79 426	REMOTE CONTROLLER		1	1	1	1	1					KM09E
	G	E12 E83 426	REMOTE CONTROLLER							1	1	1	1	KM09F
11	G	E12 527 083	REMOTE CONTROLLER HOLDER		1	1	1	1	1	1	1	1	1	

# RoHS PARTS LIST

MSZ-GE06NA-8 MSZ-GE09NA-8 MSZ-GE12NA-8 MSZ-GE15NA-8 MSZ-GE18NA-8  
MSY-GE09NA-8 MSY-GE12NA-8 MSY-GE15NA-8 MSY-GE18NA-8

## 1-7. INDOOR UNIT ELECTRICAL PARTS AND FUNCTIONAL PARTS





# RoHS PARTS LIST

## 1-7. INDOOR UNIT ELECTRICAL PARTS AND FUNCTIONAL PARTS

No.	RoHS	Part No.	Part name	Symbol in Wiring Diagram	Q'ty/unit										Remarks
					MSZ-GE					MSY-GE					
					06 NA	09 NA	12 NA	15 NA	18 NA	09 NA	12 NA	15 NA	18 NA		
					- [8]	- [8]	- [8]	- [8]	- [8]	- [8]	- [8]	- [8]	- [8]	- [8]	
1	G	E12 751 509	BEARING MOUNT		1	1	1	1	1	1	1	1	1	1	
2	G	E12 001 504	SLEEVE BEARING		1	1	1	1	1	1	1	1	1	1	
3	G	E12 897 702	DRAIN HOSE		1	1	1	1	1	1	1	1	1	1	
4	G	E12 E79 235	NOZZLE ASSEMBLY		1	1	1	1	1	1	1	1	1	1	
5	G	E12 D68 040	VANE (UPPER)		1	1	1	1	1	1	1	1	1	1	
6	G	E12 D68 041	VANE (LOWER)		1	1	1	1	1	1	1	1	1	1	
7	G	E12 A89 303	VANE MOTOR	MV	1	1	1	1	1	1	1	1	1	1	UP & DOWN
8	G	E12 D68 308	ROOM TEMPERATURE THERMISTOR	RT11	1	1	1	1	1	1	1	1	1	1	
9	G	E12 G41 452	ELECTRONIC CONTROL P.C. BOARD		1										
	G	E12 G42 452				1									
	G	E12 G43 452					1								
	G	E12 G44 452						1							
	G	E12 G45 452							1						
	G	E12 G46 452								1					
	G	E12 G47 452									1				
	G	E12 G48 452										1			
	G	E12 G49 452											1		
10	G	E12 E79 978	CONDUIT PLATE		1	1	1	1	1	1	1	1	1	1	
11	G	E12 E79 979	CONDUIT COVER		1	1	1	1	1	1	1	1	1	1	
12	G	E12 E79 440	POWER P.C. BOARD ※1		1	1	1	1	1	1	1	1	1	1	
13	G	E12 D68 307	INDOOR COIL THERMISTOR	RT12,RT13	1	1	1	1	1	1	1	1	1	1	
14	G	E12 B75 385	VARISTOR	NR11	1	1	1	1	1	1	1	1	1	1	
15	G	E12 A49 382	FUSE	F11	1	1	1	1	1	1	1	1	1	1	T3.15AL250V
16	G	E12 E79 784	V.A. CLAMP		1	1	1	1	1	1	1	1	1	1	
17	G	E12 E79 300	INDOOR FAN MOTOR ※2	MF	1	1	1	1	1	1	1	1	1	1	RC0J40-□□
18	G	E12 D68 333	MOTOR BAND		1	1	1	1	1	1	1	1	1	1	
19	G	E12 A89 302	LINE FLOW FAN		1	1	1	1	1	1	1	1	1	1	

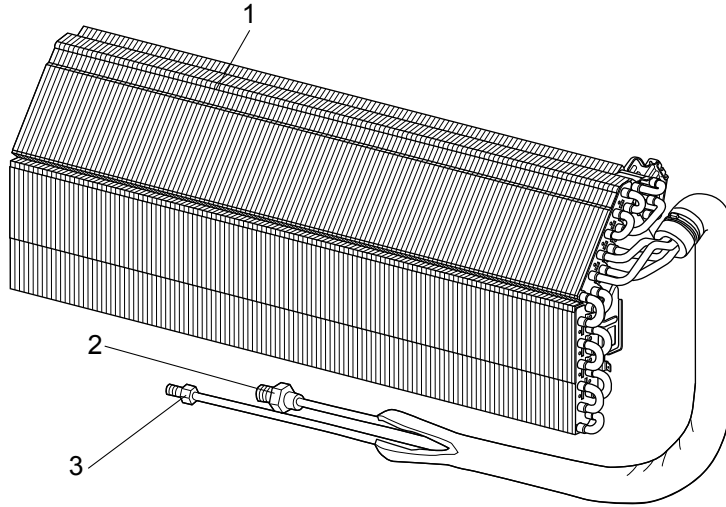
※1 Including TERMINAL BLOCK with TERMINAL P.C. BOARD

※2 Including FAN MOTOR RUBBER MOUNT (2 PCS/SET)

# RoHS PARTS LIST

MSZ-GE06NA-<sup>[8]</sup> MSZ-GE09NA-<sup>[8]</sup> MSZ-GE12NA-<sup>[8]</sup> MSZ-GE15NA-<sup>[8]</sup> MSZ-GE18NA-<sup>[8]</sup>  
 MSY-GE09NA-<sup>[8]</sup> MSY-GE12NA-<sup>[8]</sup> MSY-GE15NA-<sup>[8]</sup> MSY-GE18NA-<sup>[8]</sup>

## 1-8. INDOOR UNIT HEAT EXCHANGER

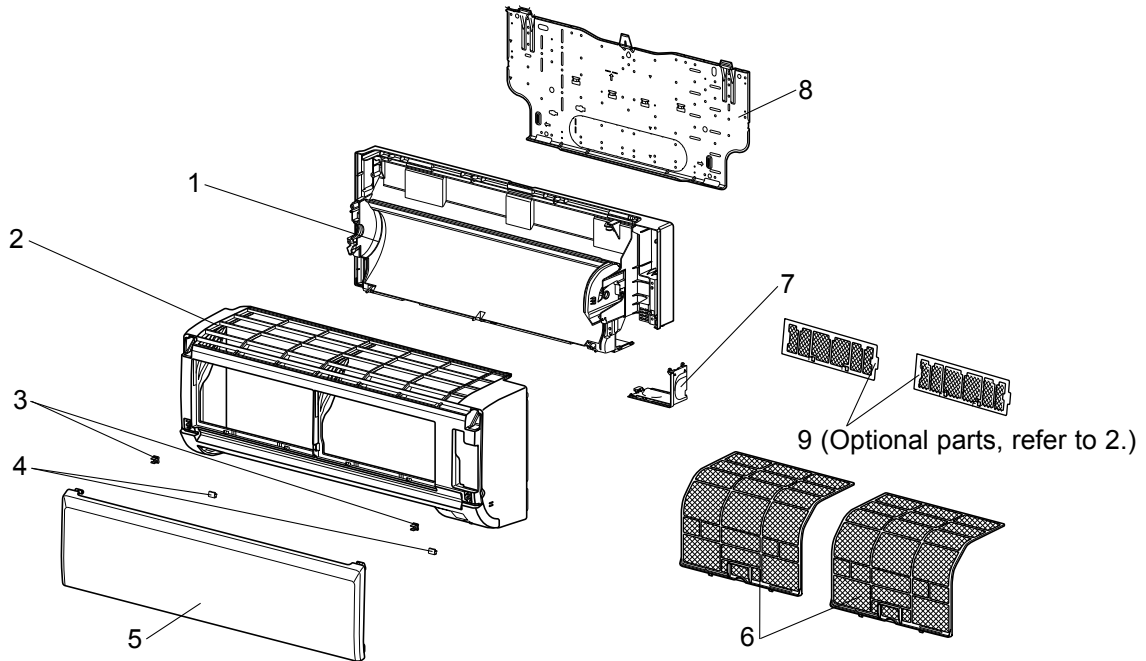


No.	RoHS	Part No.	Part name	Symbol in Wiring Diagram	Q'ty/unit										Remarks
					MSZ-GE					MSY-GE					
					06 NA - <sup>[8]</sup>	09 NA - <sup>[8]</sup>	12 NA - <sup>[8]</sup>	15 NA - <sup>[8]</sup>	18 NA - <sup>[8]</sup>	09 NA - <sup>[8]</sup>	12 NA - <sup>[8]</sup>	15 NA - <sup>[8]</sup>	18 NA - <sup>[8]</sup>		
1	G	E12 D68 620	INDOOR HEAT EXCHANGER		1	1	1			1	1				
	G	E12 D71 620						1	1			1	1		
2	G	E12 815 666	UNION (GAS) (ø9.52)		1	1	1			1	1			ø3/8	
	G	E12 155 666	UNION (GAS) (ø12.7)					1	1			1	1	ø1/2	
3	G	E12 151 667	UNION (LIQUID) (ø6.35)		1	1	1	1	1	1	1	1	1	ø1/4	

# RoHS PARTS LIST

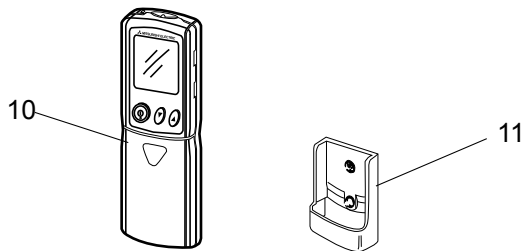
MSZ-GE06NA-9 MSZ-GE09NA-9 MSZ-GE12NA-9 MSZ-GE15NA-9 MSZ-GE18NA-9  
 MSY-GE09NA-9 MSY-GE12NA-9 MSY-GE15NA-9 MSY-GE18NA-9

## 1-9. INDOOR UNIT STRUCTURAL PARTS



No.	RoHS	Part No.	Part name	Symbol in Wiring Diagram	Q'ty/unit								Remarks	
					MSZ-GE				MSY-GE					
					06 NA	09 NA	12 NA	15 NA	18 NA	09 NA	12 NA	15 NA		18 NA
1	G	U01 A01 234	BOX ASSEMBLY		1	1	1	1	1	1	1	1	1	
2	G	U01 A01 000	PANEL ASSEMBLY		1	1	1	1	1	1	1	1	1	Including No. 3,4,5
3	G	U01 A01 142	CATCH		2	2	2	2	2	2	2	2	2	2 PCS/SET
4	G	U01 A01 067	SCREW CAP		2	2	2	2	2	2	2	2	2	2 PCS/SET
5	G	U01 A01 010	FRONT PANEL		1	1	1	1	1	1	1	1	1	
6	G	U01 A01 100	NANO PLATINUM FILTER		2	2	2	2	2	2	2	2	2	1 PC/SET
7	G	U01 A01 975	CORNER BOX (RIGHT)		1	1	1	1	1	1	1	1	1	
8	G	U01 A01 970	INSTALLATION PLATE		1	1	1	1	1	1	1	1	1	
9	G	-	AIR CLEANING FILTER (ANTI-ALLERGY ENZYME FILTER)		2	2	2	2	2	2	2	2	2	MAC-408FT-E 2 PCS/SET

## 1-10. ACCESSORY AND REMOTE CONTROLLER

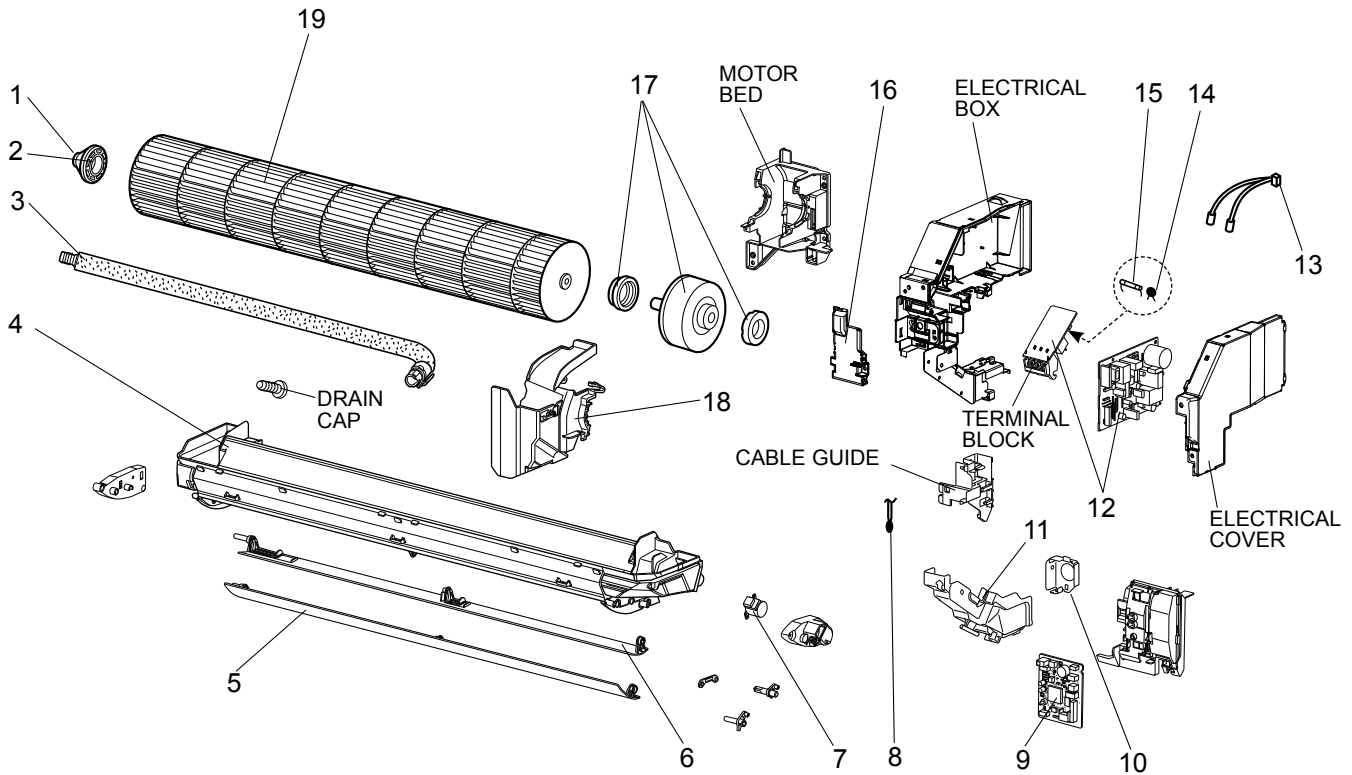


10	G	U01 A01 426	REMOTE CONTROLLER		1	1	1	1	1					KM09E
	G	U41 A02 426	REMOTE CONTROLLER							1	1	1	1	KM09F
11	G	U01 A01 083	REMOTE CONTROLLER HOLDER		1	1	1	1	1	1	1	1	1	

# RoHS PARTS LIST

MSZ-GE06NA-9 MSZ-GE09NA-9 MSZ-GE12NA-9 MSZ-GE15NA-9 MSZ-GE18NA-9  
MSY-GE09NA-9 MSY-GE12NA-9 MSY-GE15NA-9 MSY-GE18NA-9

## 1-11. INDOOR UNIT ELECTRICAL PARTS AND FUNCTIONAL PARTS



# RoHS PARTS LIST

## 1-11. INDOOR UNIT ELECTRICAL PARTS AND FUNCTIONAL PARTS

No.	RoHS	Part No.	Part name	Symbol in Wiring Diagram	Q'ty/unit										Remarks	
					MSZ-GE					MSY-GE						
					06 NA	09 NA	12 NA	15 NA	18 NA	09 NA	12 NA	15 NA	18 NA			
					- [9]	- [9]	- [9]	- [9]	- [9]	- [9]	- [9]	- [9]	- [9]	- [9]		
1	G	U01 A01 509	BEARING MOUNT		1	1	1	1	1	1	1	1	1	1		
2	G	U01 A01 504	SLEEVE BEARING		1	1	1	1	1	1	1	1	1	1		
3	G	U01 A01 702	DRAIN HOSE		1	1	1	1	1	1	1	1	1	1		
4	G	U01 A01 235	NOZZLE ASSEMBLY		1	1	1	1	1	1	1	1	1	1		
5	G	U01 A01 040	VANE (UPPER)		1	1	1	1	1	1	1	1	1	1		
6	G	U01 A01 041	VANE (LOWER)		1	1	1	1	1	1	1	1	1	1		
7	G	U01 A01 303	VANE MOTOR	MV	1	1	1	1	1	1	1	1	1	1	UP & DOWN	
8	G	U01 A01 308	ROOM TEMPERATURE THERMISTOR	RT11	1	1	1	1	1	1	1	1	1	1		
9	G	U01 A01 452	ELECTRONIC CONTROL P.C. BOARD		1											
	G	U01 A02 452				1										
	G	U01 A03 452					1									
	G	U01 A04 452						1								
	G	U01 A05 452							1							
	G	U01 A06 452								1						
	G	U01 A07 452									1					
	G	U01 A08 452										1				
	G	U01 A09 452												1		
10	G	U01 A01 978	CONDUIT PLATE		1	1	1	1	1	1	1	1	1	1		
11	G	U01 A01 979	CONDUIT COVER		1	1	1	1	1	1	1	1	1	1		
12	G	U01 A01 440	POWER P.C. BOARD ※1		1	1	1	1	1	1	1	1	1	1		
13	G	U01 A01 307	INDOOR COIL THERMISTOR	RT12,RT13	1	1	1	1	1	1	1	1	1	1		
14	G	U01 A01 385	VARISTOR	NR11	1	1	1	1	1	1	1	1	1	1		
15	G	U01 A01 382	FUSE	F11	1	1	1	1	1	1	1	1	1	1	T3.15AL250V	
16	G	U01 A01 784	V.A. CLAMP		1	1	1	1	1	1	1	1	1	1		
17	G	U01 A01 300	INDOOR FAN MOTOR ※2	MF	1	1	1	1	1	1	1	1	1	1	RC0J40-□□	
18	G	U01 A01 333	MOTOR BAND		1	1	1	1	1	1	1	1	1	1		
19	G	U01 A01 302	LINE FLOW FAN		1	1	1	1	1	1	1	1	1	1		

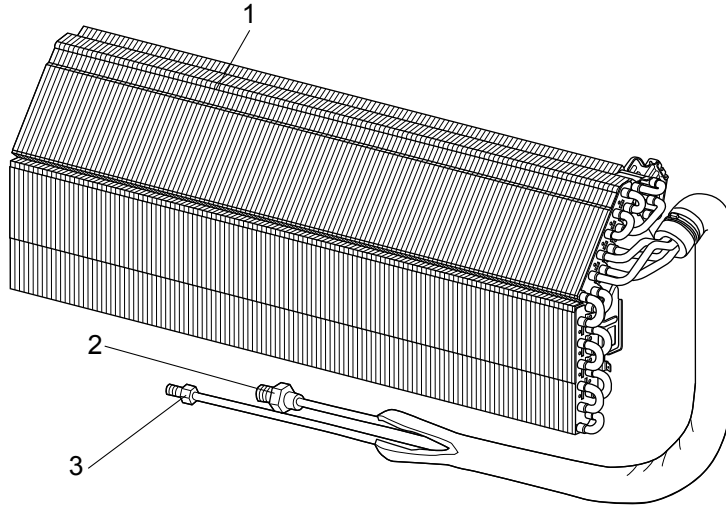
※1 Including TERMINAL BLOCK with TERMINAL P.C. BOARD

※2 Including FAN MOTOR RUBBER MOUNT (2 PCS/SET)

# RoHS PARTS LIST

MSZ-GE06NA-<sup>9</sup> MSZ-GE09NA-<sup>9</sup> MSZ-GE12NA-<sup>9</sup> MSZ-GE15NA-<sup>9</sup> MSZ-GE18NA-<sup>9</sup>  
 MSY-GE09NA-<sup>9</sup> MSY-GE12NA-<sup>9</sup> MSY-GE15NA-<sup>9</sup> MSY-GE18NA-<sup>9</sup>

## 1-12. INDOOR UNIT HEAT EXCHANGER

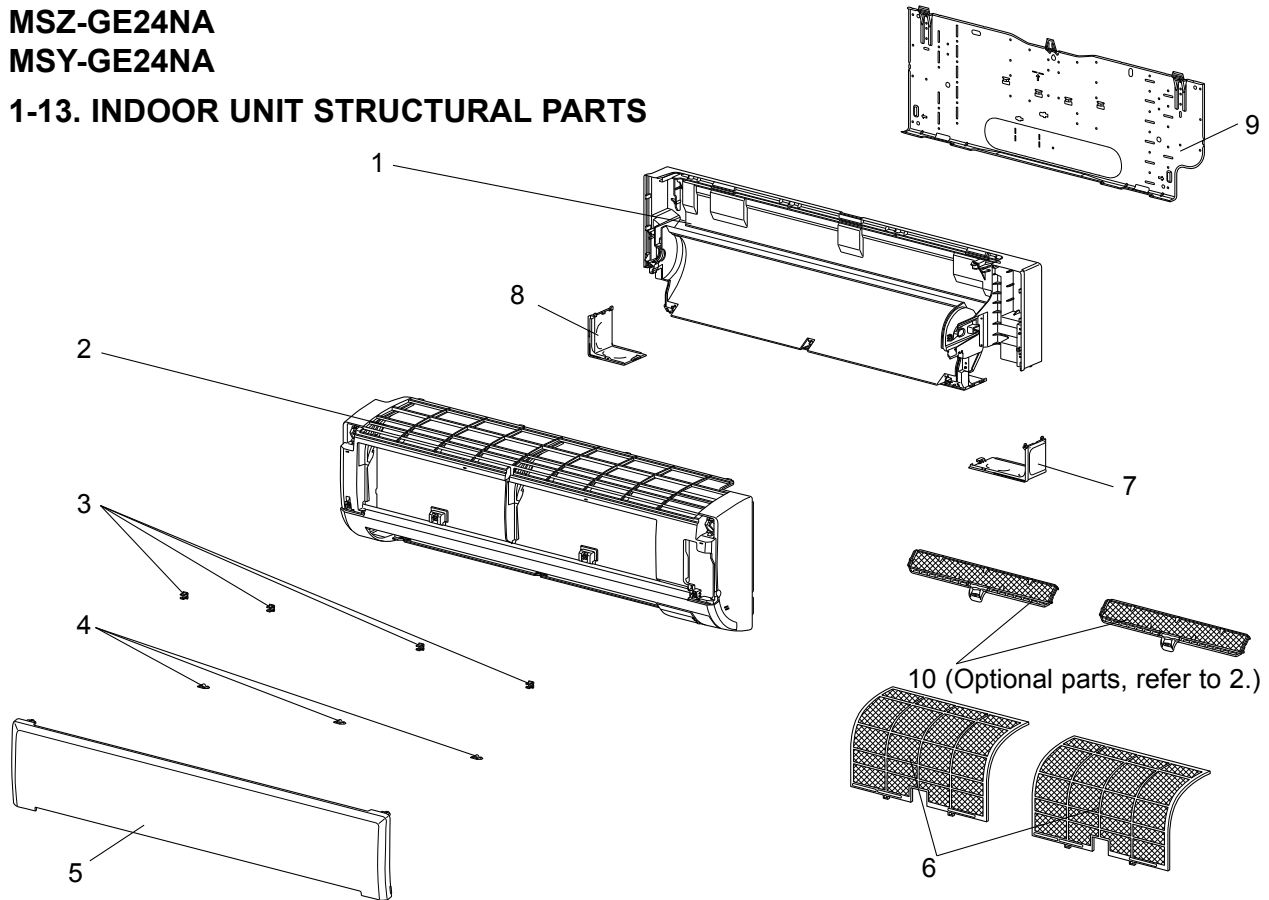


No.	RoHS	Part No.	Part name	Symbol in Wiring Diagram	Q'ty/unit								Remarks	
					MSZ-GE					MSY-GE				
					06 NA - <sup>9</sup>	09 NA - <sup>9</sup>	12 NA - <sup>9</sup>	15 NA - <sup>9</sup>	18 NA - <sup>9</sup>	09 NA - <sup>9</sup>	12 NA - <sup>9</sup>	15 NA - <sup>9</sup>		18 NA - <sup>9</sup>
1	G	U01 A01 620	INDOOR HEAT EXCHANGER		1	1	1			1	1			
	G	U01 A02 620						1	1			1	1	
2	G	U01 A01 666	UNION (GAS) (ø9.52)		1	1	1			1	1			ø3/8
	G	U04 A02 666	UNION (GAS) (ø12.7)					1	1			1	1	ø1/2
3	G	U01 A01 667	UNION (LIQUID) (ø6.35)		1	1	1	1	1	1	1	1	1	ø1/4

# RoHS PARTS LIST

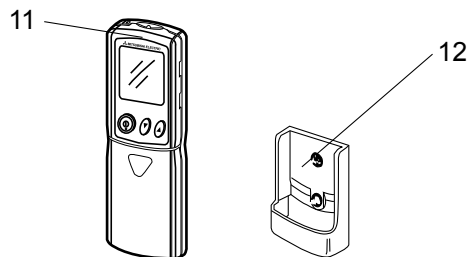
MSZ-GE24NA  
MSY-GE24NA

## 1-13. INDOOR UNIT STRUCTURAL PARTS



No.	RoHS	Part No.	Part name	Symbol in Wiring Diagram	Q'ty/unit		Remarks
					MSZ-GE24NA	MSY-GE24NA	
1	G	E12 J94 234	BOX ASSEMBLY		1	1	
2	G	E12 F76 000	PANEL ASSEMBLY		1	1	Including No. 3,4,5
3	G	E12 408 142	CATCH		4	4	4 PCS/SET
4	G	E12 F28 067	SCREW CAP		3	3	3 PCS/SET
5	G	E12 F28 010	FRONT PANEL		1	1	
6	G	E12 F28 100	NANO PLATINUM FILTER		2	2	1 PC/SET
7	G	E12 F28 975	CORNER BOX (RIGHT)		1	1	
8	G	E12 F28 976	CORNER BOX (LEFT)		1	1	
9	G	E12 F28 970	INSTALLATION PLATE		1	1	
10	G	-	AIR CLEANING FILTER (ELECTROSTATIC ANTI-ALLERGY ENZYME FILTER)		2	2	MAC-2310FT-E 2 PCS/SET

## 1-14. ACCESSORY AND REMOTE CONTROLLER



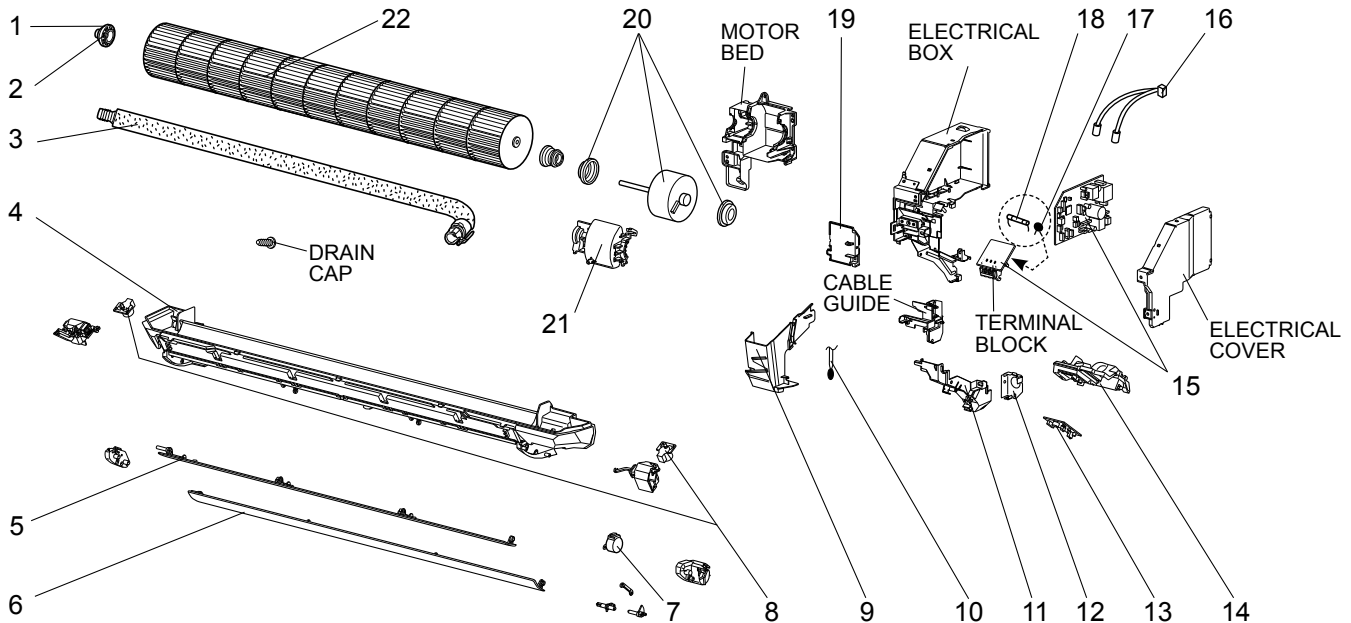
11	G	E12 C26 426	REMOTE CONTROLLER		1		KM07K
	G	E12 C29 426	REMOTE CONTROLLER			1	KM07M
12	G	E12 527 083	REMOTE CONTROLLER HOLDER		1	1	

# RoHS PARTS LIST

MSZ-GE24NA

MSY-GE24NA

## 1-15. INDOOR UNIT ELECTRICAL PARTS AND FUNCTIONAL PARTS



No.	RoHS	Part No.	Part name	Symbol in Wiring Diagram	Q'ty/unit		Remarks
					MSZ-GE24NA	MSY-GE24NA	
1	G	E12 751 509	BEARING MOUNT		1	1	
2	G	E12 001 504	SLEEVE BEARING		1	1	
3	G	E12 408 702	DRAIN HOSE		1	1	
4	G	E12 F76 235	NOZZLE ASSEMBLY		1	1	
5	G	E12 F76 040	VANE (UPPER)		1	1	
6	G	E12 F76 041	VANE (LOWER)		1	1	
7	G	E12 C33 303	VANE MOTOR (HORIZONTAL)	MV1	1	1	UP & DOWN
8	G	E12 C32 303	VANE MOTOR (VERTICAL)	MV2	2	2	RIGHT & LEFT
9	G	E12 F28 541	WATER CUT		1	1	
10	G	E12 C32 308	ROOM TEMPERATURE THERMISTOR	RT11	1	1	
11	G	E12 F76 979	CONDUIT COVER		1	1	
12	G	E12 F76 978	CONDUIT PLATE		1	1	
13	G	E12 F28 468	POWER MONITOR RECEIVER SW P.C. BOARD		1	1	
14	G	E12 F28 095	POWER MONITOR RECEIVER HOLDER		1	1	
15	G	E12 P66 452	ELECTRONIC CONTROL P.C. BOARD *1		1		
	G	E12 F77 452	ELECTRONIC CONTROL P.C. BOARD *1			1	
16	G	E12 F28 307	INDOOR COIL THERMISTOR	RT12,RT13	1	1	
17	G	E12 B75 385	VARISTOR	NR11	1	1	
18	G	E12 A49 382	FUSE	F11	1	1	T3.15AL250V
19	G	E12 F76 784	V.A. CLAMP		1	1	
20	G	E12 F28 300	INDOOR FAN MOTOR *2	MF	1	1	RC0J56-□□
21	G	E12 F28 333	MOTOR BAND		1	1	
22	G	E12 F28 302	LINE FLOW FAN		1	1	

\*1 Including TERMINAL BLOCK with TERMINAL P.C. BOARD

\*2 Including FAN MOTOR RUBBER MOUNT (2 PCS/SET)

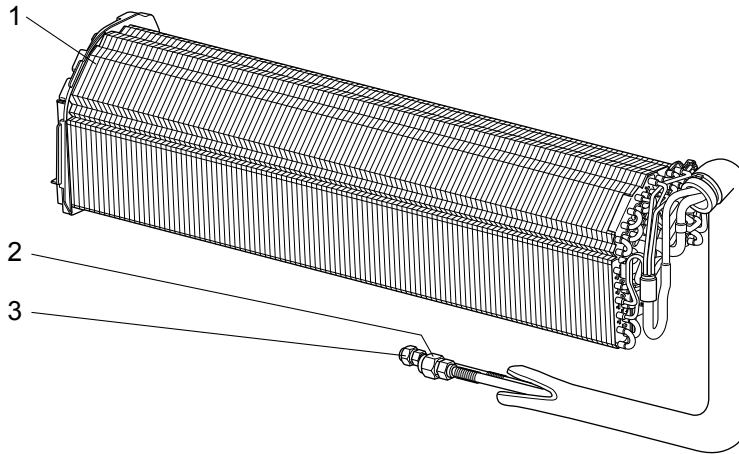


# RoHS PARTS LIST

MSZ-GE24NA

MSY-GE24NA

## 1-16. INDOOR UNIT HEAT EXCHANGER



No.	RoHS	Part No.	Part name	Symbol in Wiring Diagram	Q'ty/unit		Remarks
					MSZ-GE24NA	MSY-GE24NA	
1	G	E12 N42 620	INDOOR HEAT EXCHANGER		1	1	
2	G	E12 527 666	UNION (GAS)		1	1	ø5/8
3	G	E12 815 666	UNION (LIQUID)		1	1	ø3/8

## 2-1. AIR CLEANING FILTER

### Every 3 months:

- Remove dirt by a vacuum cleaner.

### When dirt cannot be removed by vacuum cleaning:

- Soak the filter and its frame in lukewarm water before rinsing it.
- After washing, dry it well in shade.

### Every year:

- Replace it with a new air cleaning filter for best performance.

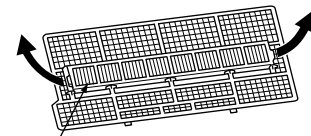
**NOTE 1:** Clean the filters regularly for best performance and to reduce power consumption.

**NOTE 2:** Dirty filters cause condensation in the air conditioner which will contribute to the growth of fungi such as mold. It is therefore recommended to clean air filters every 2 weeks.

### (ANTI-ALLERGY ENZYME FILTER)

Model			Part No.
MSZ-GE06NA	MSZ-GE06NA - 8	MSZ-GE06NA - 9	MAC-408FT-E
MSZ-GE09NA	MSZ-GE09NA - 8	MSZ-GE09NA - 9	
MSZ-GE12NA	MSZ-GE12NA - 8	MSZ-GE12NA - 9	
MSZ-GE15NA	MSZ-GE15NA - 8	MSZ-GE15NA - 9	
MSZ-GE18NA	MSZ-GE18NA - 8	MSZ-GE18NA - 9	
MSY-GE09NA	MSY-GE09NA - 8	MSY-GE09NA - 9	
MSY-GE12NA	MSY-GE12NA - 8	MSY-GE12NA - 9	
MSY-GE15NA	MSY-GE15NA - 8	MSY-GE15NA - 9	
MSY-GE18NA	MSY-GE18NA - 8	MSY-GE18NA - 9	

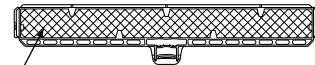
Pull to remove from the air filter



Air cleaning filter  
(Blue bellows type)

### (ELECTROSTATIC ANTI-ALLERGY ENZYME FILTER)

Model	Part No.
MSZ-GE24NA MSY-GE24NA	MAC-2310FT-E



Air cleaning filter  
(Electrostatic anti-allergy enzyme filter)

# MITSUBISHI ELECTRIC CORPORATION

HEAD OFFICE: TOKYO BLDG., 2-7-3, MARUNOUCHI, CHIYODA-KU, TOKYO 100-8310, JAPAN

© Copyright 2009 MITSUBISHI ELECTRIC CORPORATION  
 Distributed in Oct. 2014 No. OBB548 REVISED EDITION-D  
 Distributed in Nov. 2011 No. OBB548 REVISED EDITION-C  
 Distributed in Apr. 2011 No. OBB548 REVISED EDITION-B  
 Distributed in Sep. 2010 No. OBB548 REVISED EDITION-A 5  
 Distributed in Jul. 2009 No. OBB548 5  
 Made in Japan

New publication, effective Oct. 2014  
 Specifications are subject to change without notice.