

INDOOR UNIT

PARTS CATALOG

No. OBB568

Models

MFZ-KA09NA

MFZ-KA12NA

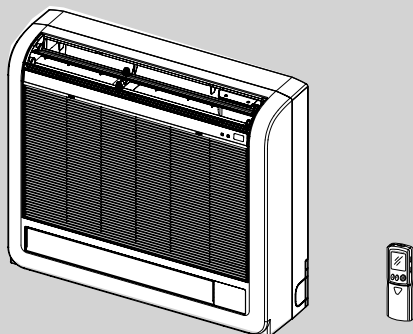
MFZ-KA18NA

Outdoor unit service manual
MXZ-B·NA Series (OBH560)

CONTENTS

- 1. RoHS PARTS LIST..... 2
- 2. OPTIONAL PARTS..... 6

SERVICE MANUAL (OBH568)



MFZ-KA09NA
MFZ-KA12NA
MFZ-KA18NA

NOTE:

RoHS compliant products have <G> mark on the spec name plate.

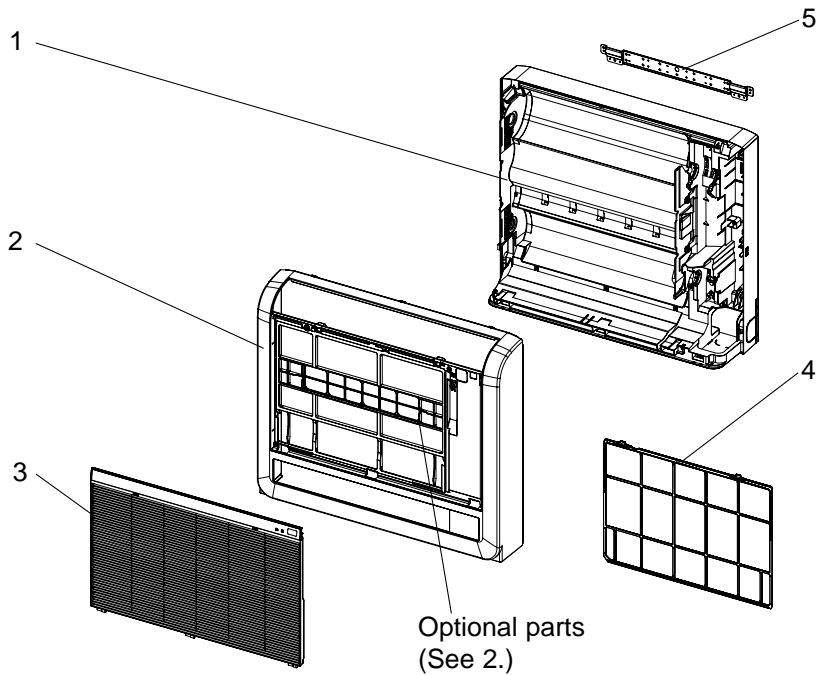
Mr. SLIM™

1

RoHS PARTS LIST (RoHS compliant)

MFZ-KA09NA
MFZ-KA12NA
MFZ-KA18NA

1-1. INDOOR UNIT STRUCTURAL PARTS



1-2. ACCESSORY AND REMOTE CONTROLLER



1-1. INDOOR UNIT STRUCTURAL PARTS

No.	RoHS	Part No.	Part name	Symbol in Wiring Diagram	Q'ty/unit			Remarks
					09NA	12NA	18NA	
1	G	T2W 6V1 234	BOX ASSEMBLY		1	1	1	
2	G	T2W L3V 000	PANEL ASSEMBLY		1	1	1	
3	G	T2W 6V1 010	FRONT GRILLE		1	1	1	
4	G	M21 L3V 100	CATECHIN AIR FILTER		1	1	1	
5	G	T2W L3V 233	BACK PLATE		1	1	1	

1-2. ACCESSORY AND REMOTE CONTROLLER

Part number that is circled is not shown in the illustration.

6	G	T2W 7T7 426	REMOTE CONTROLLER		1	1	1	KM10A
⑦	G	M21 L3V 256	FELT TAPE		1	1	1	

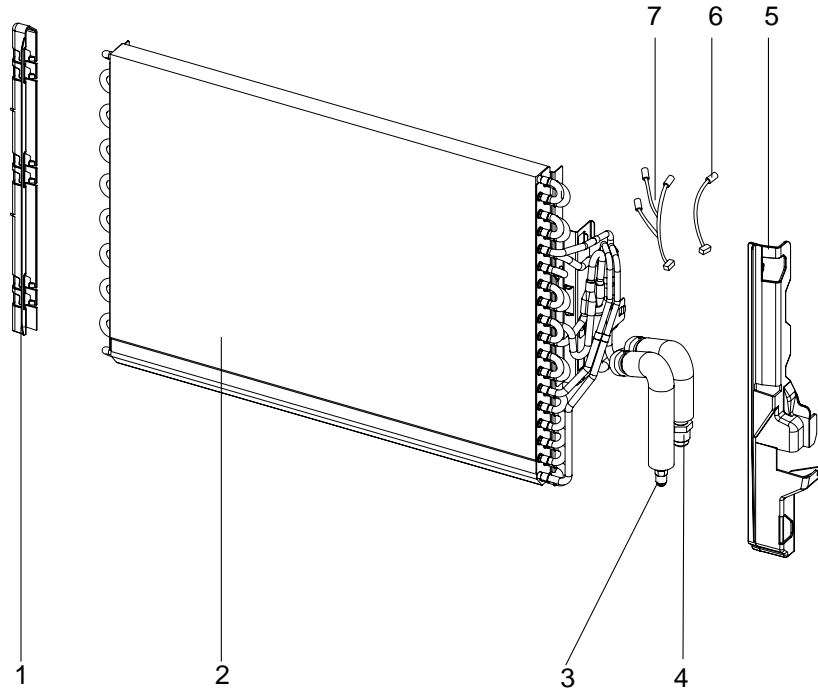
RoHS PARTS LIST (RoHS compliant)

MFZ-KA09NA

MFZ-KA12NA

MFZ-KA18NA

1-3. INDOOR UNIT HEAT EXCHANGER



1-3. INDOOR UNIT HEAT EXCHANGER

No.	RoHS	Part No.	Part name	Symbol in Wiring Diagram	Q'ty/unit			Remarks
					MFZ-			
					09NA	12NA	18NA	
1	G	M21 L3V 638	HAIR PIN COVER		1	1	1	
2	G	M21 L3V 620	INDOOR HEAT EXCHANGER		1	1		
	G	M21 L5V 620	INDOOR HEAT EXCHANGER				1	
3	G	M21 L3V 664	UNION (LIQ)		1	1	1	φ6.35
4	G	M21 L3V 663	UNION (GAS)		1	1		φ9.52
	G	M21 L5V 663	UNION (GAS)				1	φ12.7
5	G	M21 L3V 791	WATER COVER		1	1	1	
6	G	M21 L4V 305	INDOOR COIL THERMISTOR	RT13	1	1	1	
7	G	M21 L3V 305	INDOOR COIL THERMISTOR SET	RT12,14,15	1	1	1	3PCS/SET

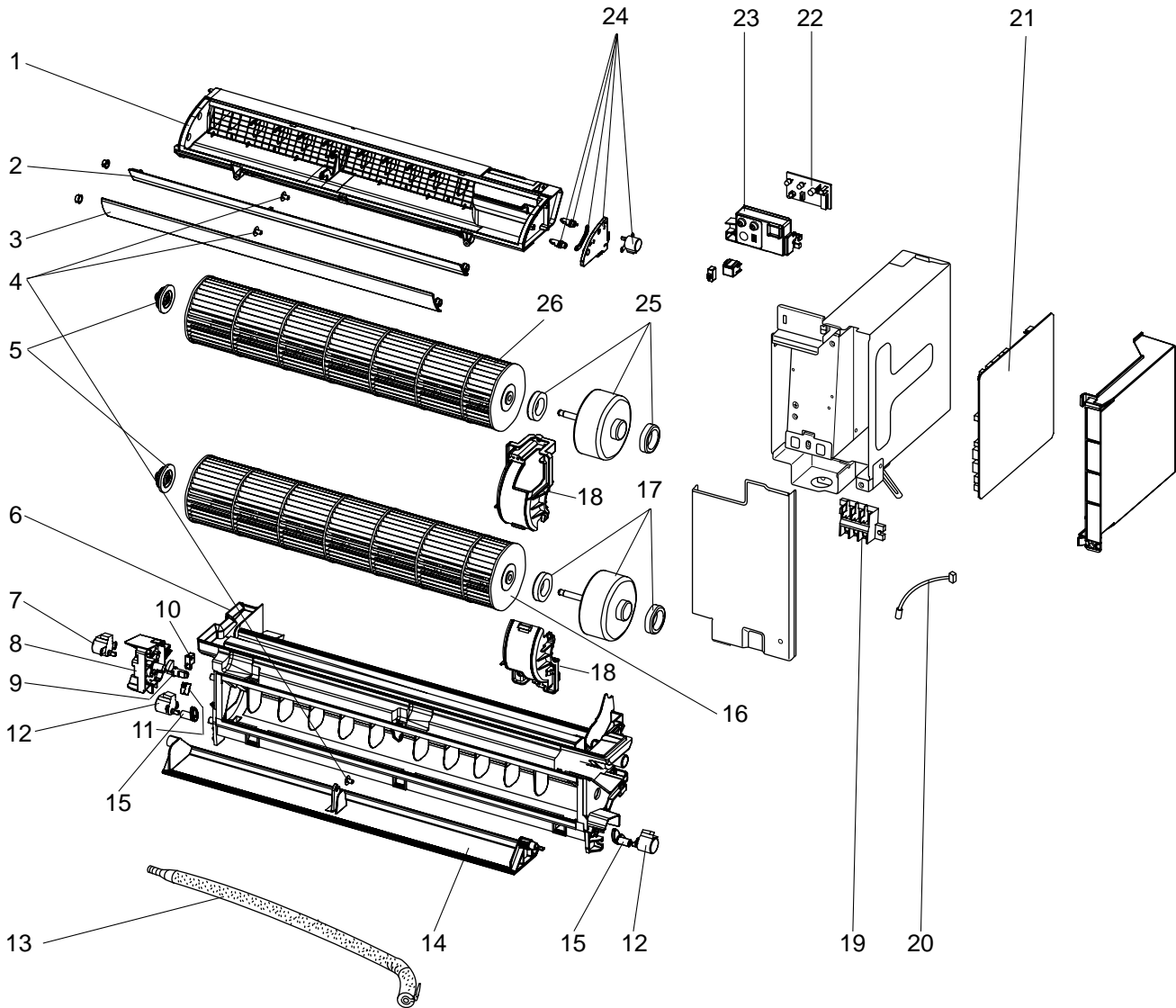
RoHS PARTS LIST (RoHS compliant)

MFZ-KA09NA

MFZ-KA12NA

MFZ-KA18NA

1-4. INDOOR UNIT ELECTRICAL PARTS AND FUNCTIONAL PARTS



RoHS PARTS LIST (RoHS compliant)

1-4. INDOOR UNIT ELECTRICAL PARTS AND FUNCTIONAL PARTS

Part numbers that are circled are not shown in the illustration.

No.	RoHS	Part No.	Part name	Symbol in Wiring Diagram	Q'ty/unit			Remarks
					MFZ-			
					09NA	12NA	18NA	
1	G	M21 6V1 235	NOZZLE ASSEMBLY (UPPER)		1	1	1	
2	G	M21 L4V 040	HORIZONTAL VANE (BACK)		1	1	1	
3	G	M21 L3V 040	HORIZONTAL VANE (FRONT)		1	1	1	
4	G	M21 L3V 071	VANE SLEEVE		3	3	3	
5	G	M21 L4V 504	BEARING ASSEMBLY		2	2	2	
6	G	M21 6V3 235	NOZZLE ASSEMBLY (LOWER)		1	1	1	
7	G	M21 L5V 306	DAMPER MOTOR	MV2	1	1	1	UP & DOWN
8	G	M21 L3V 506	VANE MOTOR SUPPORT		1	1	1	
9	G	M21 L3V 049	SM SHAFT		1	1	1	
10	G	M21 L3V 047	DAMPER LIMIT SWITCH (CLOSE)	LS2	1	1	1	
11	G	M21 L4V 047	DAMPER LIMIT SWITCH (OPEN)	LS1	1	1	1	
12	G	M21 L4V 306	DAMPER LOCK MOTOR	ML1,2	2	2	2	RIGHT & LEFT
13	G	M21 3K5 703	DRAIN HOSE		1	1	1	
14	G	M21 6V1 041	DAMPER		1	1	1	
15	G	M21 L4V 049	LOCK SHAFT		2	2	2	
16	G	M21 L4V 302	LINE FLOW FAN (LOWER)		1	1	1	
17	G	M21 6V3 301	INDOOR FAN MOTOR ASSEMBLY (LOWER) *	MF2	1	1	1	RC0J30-□□
18	G	M21 L3V 023	MOTOR BAND		2	2	2	
19	G	T2W L3V 376	TERMINAL BLOCK	TB	1	1	1	
20	G	M21 L3V 307	ROOM TEMPERATURE THERMISTOR	RT11	1	1	1	
21	G	T2W 6V1 450	ELECTRONIC CONTROL P.C. BOARD		1			AUTO RESTART
	G	T2W 6V2 450	ELECTRONIC CONTROL P.C. BOARD			1		AUTO RESTART
	G	T2W 6V3 450	ELECTRONIC CONTROL P.C. BOARD				1	AUTO RESTART
22	G	M21 L3V 328	DISPLAY RECEIVER P.C. BOARD		1	1	1	
23	G	T2W L3V 043	LAMP COVER		1	1	1	
24	G	M21 L3V 306	HORIZONTAL VANE MOTOR UNIT	MV1	1	1	1	UP & DOWN
25	G	M21 6V1 300	INDOOR FAN MOTOR ASSEMBLY (UPPER) *	MF1	1	1	1	RC0J30-□□
26	G	M21 L3V 302	LINE FLOW FAN (UPPER)		1	1	1	
⑳	G	T2W L3V 382	FUSE	F11	1	1	1	T3.15AL250V
㉑	G	T2W L3V 384	VARISTOR	NR11	1	1	1	

* Including fan motor rubber mount (2PCS/SET)

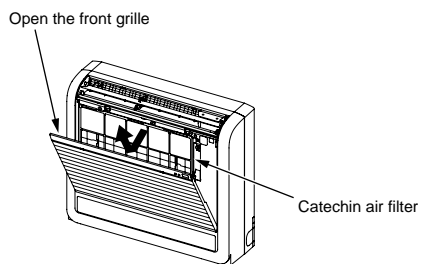
AIR CLEANING FILTER (ANTI-ALLERGY ENZYME FILTER)

- Normal life of AIR CLEANING FILTER is 1 year.
If AIR CLEANING FILTER is to be washed, soak AIR CLEANING FILTER in water (when showing dirt, in lukewarm water) and rinse it delicately, without removing the filter from the frame about once every 3 months.
- Clogged AIR CLEANING FILTER may reduce the air conditioner capacity or cause frost on the air outlet.
- Do not remove or attach AIR CLEANING FILTER during unit operation.

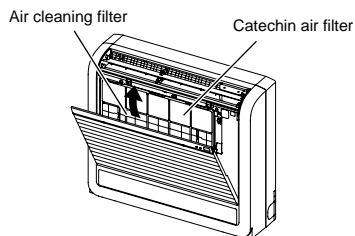
Model	Part No.
MFZ-KA09NA	MAC-415FT-E
MFZ-KA12NA	
MFZ-KA18NA	

Replacement of the air cleaning filter

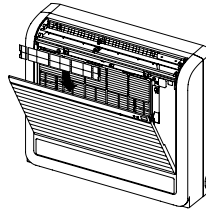
- (1) Remove the catechin air filter.



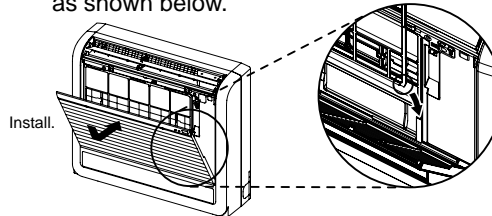
- (2) Remove the air cleaning filter.



- (3) Attach a new air cleaning filter. Fix the filter with the tabs securely.



- (4) Install the catechin air filter.
Be sure to install its both ends into the tabs as shown below.



- (5) Securely close the front grille.



© Copyright 2010 MITSUBISHI ELECTRIC ENGINEERING CO.,LTD
Distributed in Jan. 2010. No. OBB568 7
Made in Japan

New publication, effective Jan. 2010
Specifications subject to change without notice.