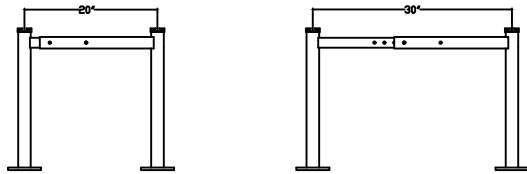


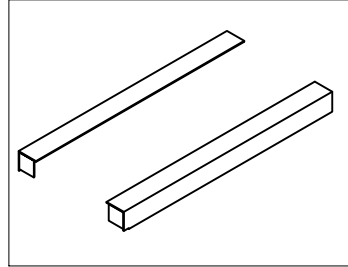
AS14S (Standard duty)

STANCE RANGES FROM 20" TO 30"



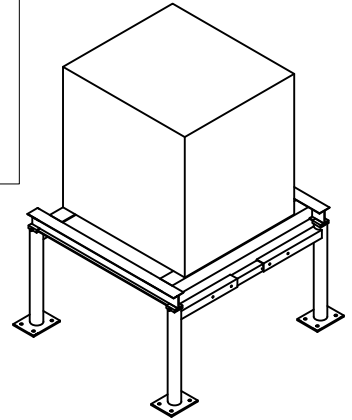
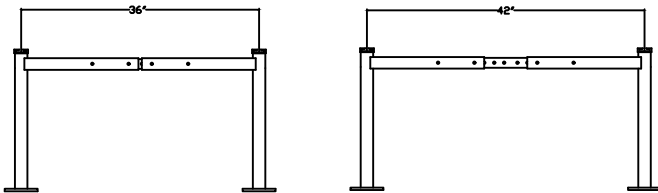
AS14CAB

Aluminum cross mounting angle - when the condensing unit is too narrow to sit on the required stand, a set AS14CAB's allow for unit installation.



AS14H (Heavy duty)

STANCE RANGES FROM 36" TO 42"



Part No.	Description	Frame Size
AS14S18	Aluminum stand leg assembly, 2017 FBC 20–30" spread, 18" tall	18"
AS14S24	Aluminum stand leg assembly, 2017 FBC 20–30" spread, 24" tall	24"
AS14S30	Aluminum stand leg assembly, 2017 FBC 20–30" spread, 30" tall	30"
AS14H18	Aluminum stand leg assembly, 2017 FBC 36–42" spread, 18" tall	18"
AS14H24	Aluminum stand leg assembly, 2017 FBC 36–42" spread, 24" tall	24"
AS14H30	Aluminum stand leg assembly, 2017 FBC 36–42" spread, 30" tall	30"

Part No.	Description	Size
AS14I-3	Aluminum Stand I-Beam, 2017 FBC, 3'	3'
AS14I-6	Aluminum Stand I-Beam, 2017 FBC, 6'	6'
AS14I-9	Aluminum Stand I-Beam, 2017 FBC, 9'	9'
AS14I-12	Aluminum Stand I-Beam, 2017 FBC, 12'	12'
AS14I-15	Aluminum Stand I-Beam, 2017 FBC, 15'	15'
AS14I-18	Aluminum Stand I-Beam, 2017 FBC, 18'	18'

Part No.	Description	Length
AS14CAB-30	3"x3"x1/8" In-Beam Cross Mount Angle for 30" spread	30"
AS14CAB-36	3"x3"x1/8" In-Beam Cross Mount Angle for 36" spread	36"
AS14CAB-42	3"x3"x1/8" In-Beam Cross Mount Angle for 42" spread	42"

AS14S/AS14H

 ALUMINUM CONDENSING UNIT STAND
 PRODUCT INFORMATION SHEET