



STANDARD CONSTRUCTION

MATERIAL:
26 GAUGE ASTM A-653 HOT-DIPPED
GALVANIZED STEEL SHEET

CONSTRUCTION:
MECHANICALLY RIVETED / STITCH WELDED

FEATURES

GALVANIZED STEEL PROVIDES EXCELLENT
CORROSION RESISTANCE AND LONGEVITY.

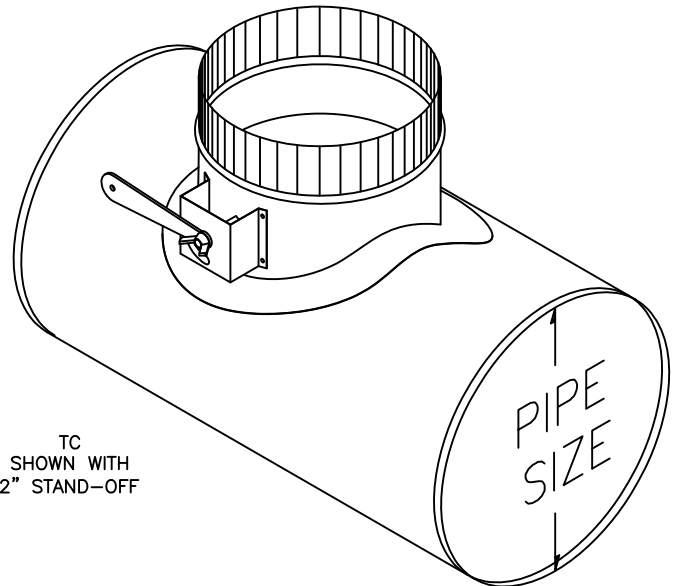
FLANGE FABRICATED TO ENSURE SOLID
CONNECTION.

CLAMP BAND AND PIPE CRIMP FACILITATE
QUICK AND SECURE FIELD INSTALLATION.

OPTIONS: CUSTOM SIZES AVAILABLE.
2" STAND-OFF (TC-SO)

STANDARD SIZES:

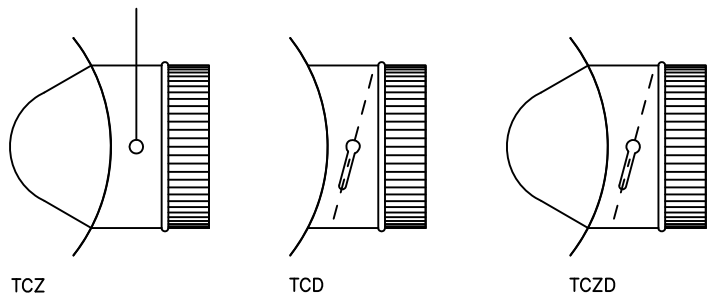
W/ SCOOP	W/ DAMPER	W SCOOP & DAMPER	SIZE	FOR PIPE SIZE	QTY
TCZ4	TCD4	TCZD4	4"	6"-8"	1
TCZ5	TCD5	TCZD5	5"	8-10"	1
TCZ6	TCD6	TCZD6	6"	8-10"	1
TCZ7	TCD7	TCZD7	7"	10"-12"	1
TCZ8	TCD8	TCZD8	8"	10"-12"	1
TCZ10	TCD10	TCZD10	10"	12"-14"	1
TCZ12	TCD12	TCZD12	12"	14"-16"	1
TCZ14	TCD14	TCZD14	14"	16"-18"	1
TCZ16	TCD16	TCZD16	16"	18"-20"	1
TCZ18	TCD18	TCZD18	18"	20"-22"	1
TCZ20	TCD20	TCZD20	20"	22"-24"	1



TC
SHOWN WITH
2" STAND-OFF

JOB NAME:
LOCATION:
ARCHITECT:
ENGINEER:
CONTRACTOR:
CONTACT MIAMI TECH INC. FOR ADDITIONAL INFORMATION OR WITH SPECIAL REQUIREMENTS.
3611 NW 74TH ST MIAMI, FL 33147 PHONE: 305-693-7054 FAX: 305-693-6152
WEB: WWW.MIAMITECH.COM EMAIL: SALES@MIAMITECH.COM

MOUNTING HOLES
FOR OPTIONAL DAMPER



TCZ

TCD

TCZD

TC

**TAKE OFF COLLAR
PRODUCT SPECIFICATIONS**

NOTE: ALL DRAWINGS SUBJECT TO CHANGE WITHOUT PRIOR NOTICE.



DRAWN BY: AF

DATE: 10/10/07

SCALE: NOT TO SCALE

DRAWING NO.

CHECKED BY: IG

DATE: 4/10/12

REVISION: 2

TC