



STANDARD CONSTRUCTION

BODY:
16 GAUGE ASTM A-653 HOT-DIPPED
GALVANIZED STEEL SHEET

STANDARD SIZES:

MODEL	WIDTH (W)	HEIGHT (H)	DEPTH (D)
FFR17.5	17 7/8"	2"	21 1/2"
FFR21	21 3/8"	2"	21 1/2"
FFR24	24 7/8"	2"	21 1/2"

FEATURES

16 GAUGE GALVANIZED STEEL PROVIDES EXCELLENT CORROSION RESISTANCE AND LONGEVITY.

WELDED CONSTRUCTION FOR ADDED STRENGTH.

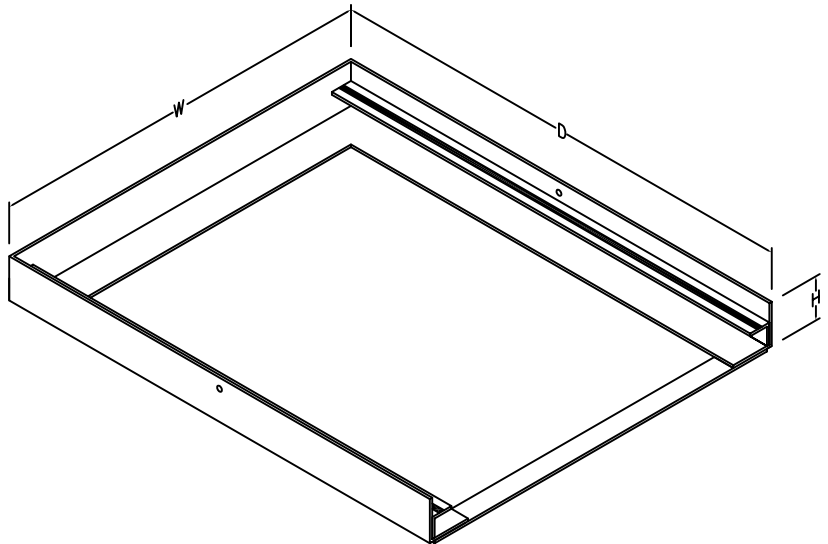
PRE-PUNCHED HOLES FOR EASY FASTENING TO AIR HANDLER OR BASE.

RUBBER STRIPS INCLUDED TO MINIMIZE VIBRATION.

1" HOG HAIR FILTER WITH REINFORCED WIRES INCLUDED.

THE FFR FAMILY HAS BEEN DESIGNED FOR RHEEM AND RUUD AIR HANDLER UNITS. OTHER CUSTOM SIZES ARE AVAILABLE UPON REQUEST.

OPTIONS: CUSTOM SIZES AVAILABLE.



JOB NAME:
LOCATION:
ARCHITECT:
ENGINEER:
CONTRACTOR:
CONTACT MIAMI TECH INC. FOR ADDITIONAL INFORMATION OR WITH SPECIAL REQUIREMENTS.
3611 NW 74TH ST MIAMI, FL 33147
PHONE: 305-693-7054 FAX: 305-693-6152
WEB: WWW.MIAMITECH.COM EMAIL: SALES@MIAMITECH.COM

FFR

**FIXED FILTER RACK FOR RHEEM/RUUD
PRODUCT SPECIFICATIONS**

NOTE: ALL DRAWINGS SUBJECT TO CHANGE WITHOUT PRIOR NOTICE.



DRAWN BY: AF	DATE: 08/30/07	SCALE: NOT TO SCALE	DRAWING NO. FFR
CHECKED BY: AV	DATE: 9/20/10	REVISION: 2	