

STANDARD CONSTRUCTION

MATERIAL:
24/26/28/30 GAUGE ASTM A-653 HOT-DIPPED
GALVANIZED STEEL SHEET

STANDARD SIZES:

WIDTH (36" MAX)	LENGTH (72" MAX)	HEIGHT
26"	44"	2"
26"	48"	2"
26"	50"	2"
26"	52"	2"
26"	54"	2"
26"	58"	2"
26"	60"	2"
28"	48"	2"
28"	58"	2"
30"	60"	2"
30"	66"	2"
32"	60"	2"

MODEL	GAUGE	
DP-24	24	OPTIONAL
DP	26	STANDARD
DP-28	28	OPTIONAL
DP-30	30	OPTIONAL

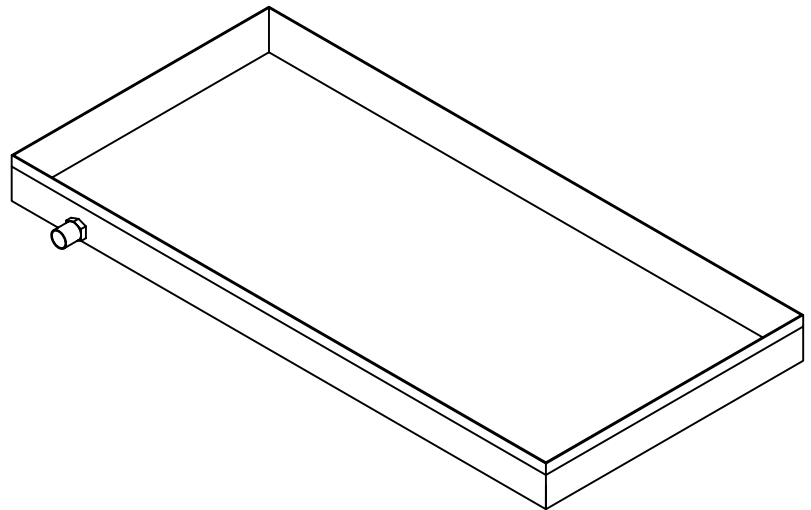
FEATURES

GALVANIZED STEEL PROVIDES EXCELLENT CORROSION
RESISTANCE AND LONGEVITY.

SEAMED CORNERS (NO WELDS) FOR A WATERTIGHT SEAL.

3/4" PVC DRAIN INSTALLED.

OPTION: CUSTOM SIZES AVAILABLE.
AVAILABLE WITH RAILS (DPG)
AVAILABLE WITHOUT DRAIN



JOB NAME:

LOCATION:

ARCHITECT:

ENGINEER:

CONTRACTOR:

CONTACT MIAMI TECH INC. FOR ADDITIONAL
INFORMATION OR WITH SPECIAL REQUIREMENTS.

3611 NW 74TH ST
MIAMI, FL 33147
PHONE: 305-693-7054 FAX: 305-693-6152

WEB: WWW.MIAMITECH.COM
EMAIL: SALES@MIAMITECH.COM

DP

DRAIN PAN
PRODUCT SPECIFICATIONS

NOTE: ALL DRAWINGS SUBJECT TO CHANGE WITHOUT PRIOR NOTICE.