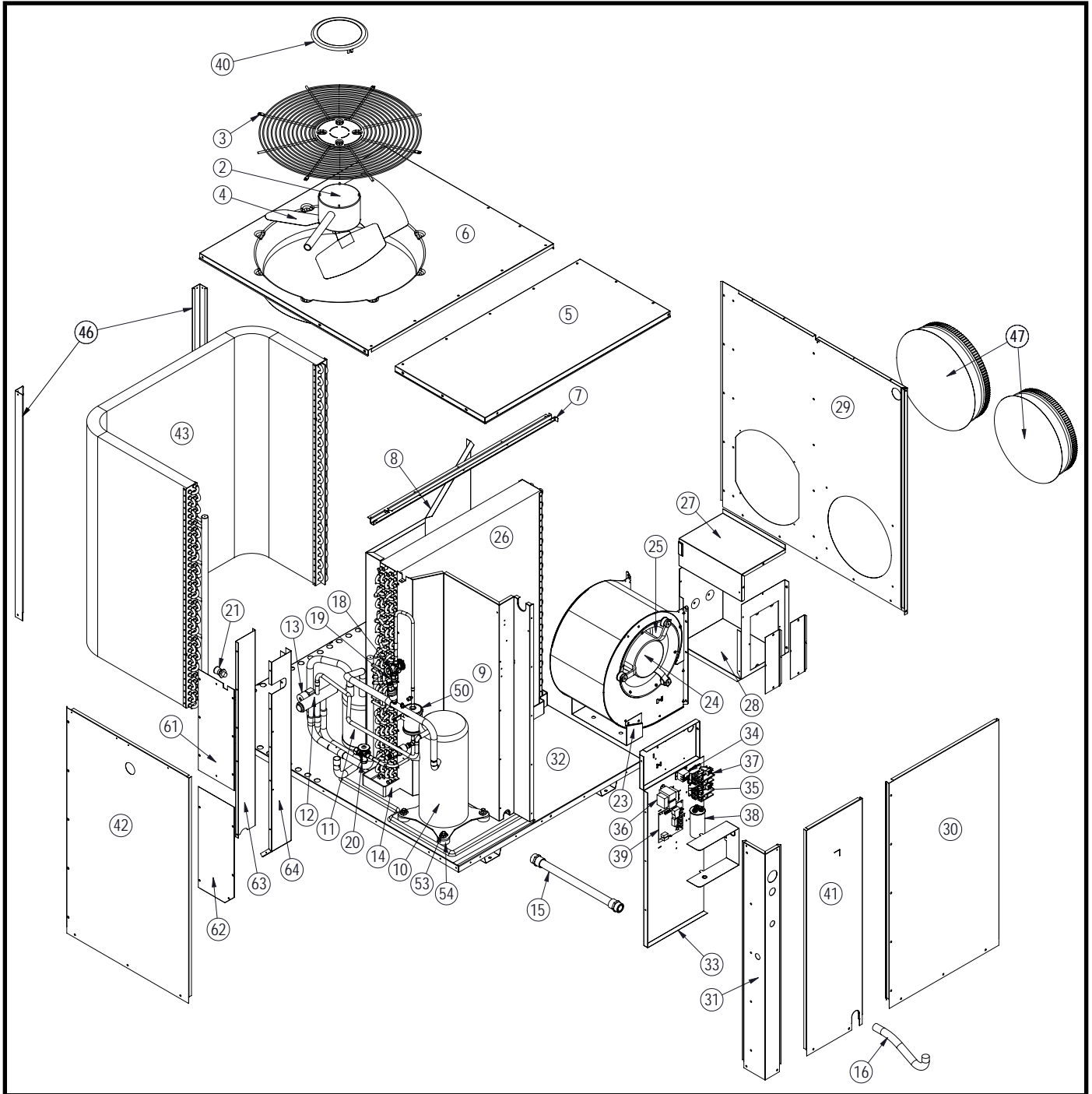


REPLACEMENT PARTS LIST

Single Package Heat Pump

PPH2RF-KA Series

15 SEER Models



**PPH2RF-KA Series Single Package Heat Pump
15 SEER, R-410A, 2-Stage Models**

ITEM NO.	DESCRIPTION	PPH2RFX24KA	PPH2RFX36KA	PPH2RFX48KA	PPH2RFX60KA
		920588PA	920589PA	920590PA	920591PA
1	ACORN NUT, BLACK (NOT SHOWN)	606261	606261	606261	606261
2	OUTDOOR MOTOR	622080	621721	622655	622655
3	FAN GRILL, BLACK	669404	669404	669404	669335
4	FAN BLADE	667406	667406	667369	667319
5	TOP PAN,LEFT	D03570BR	D03570BR	D03570BR	D03570BR
6	TOP PAN, RIGHT	D07090BR	D07090BR	D07090BR	D07091BR
7	DRAIN CHANNEL	D03290	D03290	D03290	D03290
8	DIVIDER PANEL ASSY.	D03443R	D03443R	—	—
	DIVIDER PANEL ASSY,36"	—	—	D03445R	D03445R
9	BLOWER DIVIDER ASSY.	D03483R	D03483R	D03485R	D03485R
10	COMPRESSOR	921844	921769	922020	921793
11	ACCUMULATOR	668793	668794	668794	668794
12	REVERSING VALVE	669465	669936	669936	669936
13	REVERSING VALVE COIL	669471	669935	669935	669935
14	DRAIN PAN	669187	669187	669187	669187
15	DRAIN TUBE ASSY	663713	663713	663713	663713
16	"P" TRAP	669211	669211	669211	669211
17	ELBOW,3/4 MPT (NOT SHOWN)	669184	669184	669184	669184
18	TXV, INDOOR	669845	669845	669821	669881
19	DISTRIBUTOR, INDOOR	663581	663584	663586	663586
20	TXV, OUTDOOR	669982	669820	669822	669822
21	DISTRIBUTOR, OUTDOOR	663581	663582	664546	664546
22	SOUND BLANKET (NOT SHOWN)	689792	689792	689793	689793
23	FOOT, BLOWER	262970	262970	262970	262970
24	BLOWER MOTOR, 2T, PROGRAMMED	M0056122R	—	—	—
	BLOWER MOTOR, 3T, PROGRAMMED	—	M0056118R	—	—
	BLOWER MOTOR, 4T, PROGRAMMED	—	—	M0056125R	—
	BLOWER MOTOR, 5T, PROGRAMMED	—	—	—	M0056127R
25	BLOWER WHEEL	667294	667037	667037	667037
26	INDOOR EVAP COIL	2B1511R	2B1531R	2A9661R	2A9661R
27	BLOWER COVER BOX	D03340	D03340	D03340	D03340
28	BLOWER TRANSITION BOX	D03350	D03350	D03350	D03350
29	REAR PANEL ASSY.	D03466BR	D03465BR	D03469BR	D03469BR
30	BLOWER PANEL ASSY.	D03523BR	D03523BR	D03525BR	D03525BR
31	CORNER PANEL	D04363BR	D04363BR	D04365BR	D04365BR
32	BOTTOM PAN ASSY.	D03430	D03430	D03430	D03431
33	CONTROL PANEL	271793	271793	271795	271795
34	RELAY,SPDT,24V COIL	621931	621931	621931	621931
35	RELAY,BLOWER,240V COIL	622180	622180	622180	622180

Please specify Model No., Serial No., and the correct part number(s) when ordering parts from the nearest authorized dealer or service center.

**PPH2RF-KA Series Single Package Heat Pump
15 SEER, R-410A, 2-Stage Models**

ITEM NO.	DESCRIPTION	PPH2RFX24KA	PPH2RFX36KA	PPH2RFX48KA	PPH2RFX60KA
		920588PA	920589PA	920590PA	920591PA
36	TRANSFORMER	621709	621709	621709	621709
37	CONTACTOR	624712	624712	624714	624714
38	CAPACITOR, DUAL	620762	620888	620777	620968
39	DEMAND DEFROST BOARD	920268	920268	920268	920268
40	TOP PAN GRILL CAP	289551	289551	289551	289551
41	CONTROL BOX COVER	D02873BR	D02873BR	D02875BR	D02875BR
42	COVER,COMPRESSOR	D02893BR	D02893BR	D02895BR	D02895BR
43	OUTDOOR COIL, FORMED	2B1521R	2B1541R	2A9681R	2B1981R
44	REPL. HAIL GUARD KIT (NOT SHOWN)	917206	917206	917206	917206
45	OUTDOOR COIL GUARD, FORMED (NOT SHOWN)	2A8152R	2A8154R	2A8156R	2B4831R
46	CORNER POST	D09993BR	D09993BR	D09999BR	D09999BR
47	DUCT COLLAR 12"	294941	294941	294941	294941
	DUCT COLLAR 14"	294942	294942	294942	294942
48	CORE,CHARGING PORT (NOT SHOWN)	662103	662103	662103	662103
49	ACCESS FITTING (NOT SHOWN)	663812	663812	663812	663812
50	FILTER DRIER, BIFLOW	669762	669762	669762	669762
51	COMPRESSOR MOLDED PLUG HV (NOT SHOWN)	634660	634660	634660	634660
52	COMPRESSOR MOLDED PLUG LV (NOT SHOWN)	634682	634682	634682	634682
53	COMPRESSOR BOLT	600400	600400	600400	600400
54	COMPRESSOR GROMMET	664530	664530	664530	664530
55	SET OF WIRES (NOT SHOWN)	920902	920902	920903	920903
56	AMBIENT SENSOR (NOT SHOWN)	624701	624701	624701	624701
57	HI PRESSURE SWITCH (NOT SHOWN)	632473	632473	632473	632473
58	PAINT,TOUCH-UP BRONZE TEXTURE	904038	904038	904038	904038
59	STRAP,FILTER/DRIER (NOT SHOWN)	2A2201	2A2201	2A2201	2A2201
60	WIRE GROMMET (NOT SHOWN)	689514	689514	689514	689514
61	TOP COIL HEADER COVER	2B1001	2B1001	2B1001	2B1001
62	BOTTOM COIL HEADER COVER	2B3191	2B3191	2B3193	2B3193
63	SIDE COIL HEADER COVER	2B3171	2B3171	2B3173	2B3173
64	SIDE COIL HEADER COVER	2B0301	2B0301	2B0303	2B0303
65	COIL TEMERATURE SENSOR (NOT SHOWN)	624740	624740	624740	624740
66	LOW PRESSURE SWITCH (NOT SHOWN)	632393	632393	632604	632604

Please specify Model No., Serial No, and the correct part number(s) when ordering parts from the nearest authorized dealer or service center.

NORDYNE
COMPLETE COMFORT. GENUINE VALUE.

Specifications & illustrations subject to change without notice or incurring obligations.
O' Fallon, MO | Printed in U.S.A. (10/12)



7094640 (Replaces 709160A)