

WIRING DIAGRAM

Split System Heat Pump (Outdoor Section)

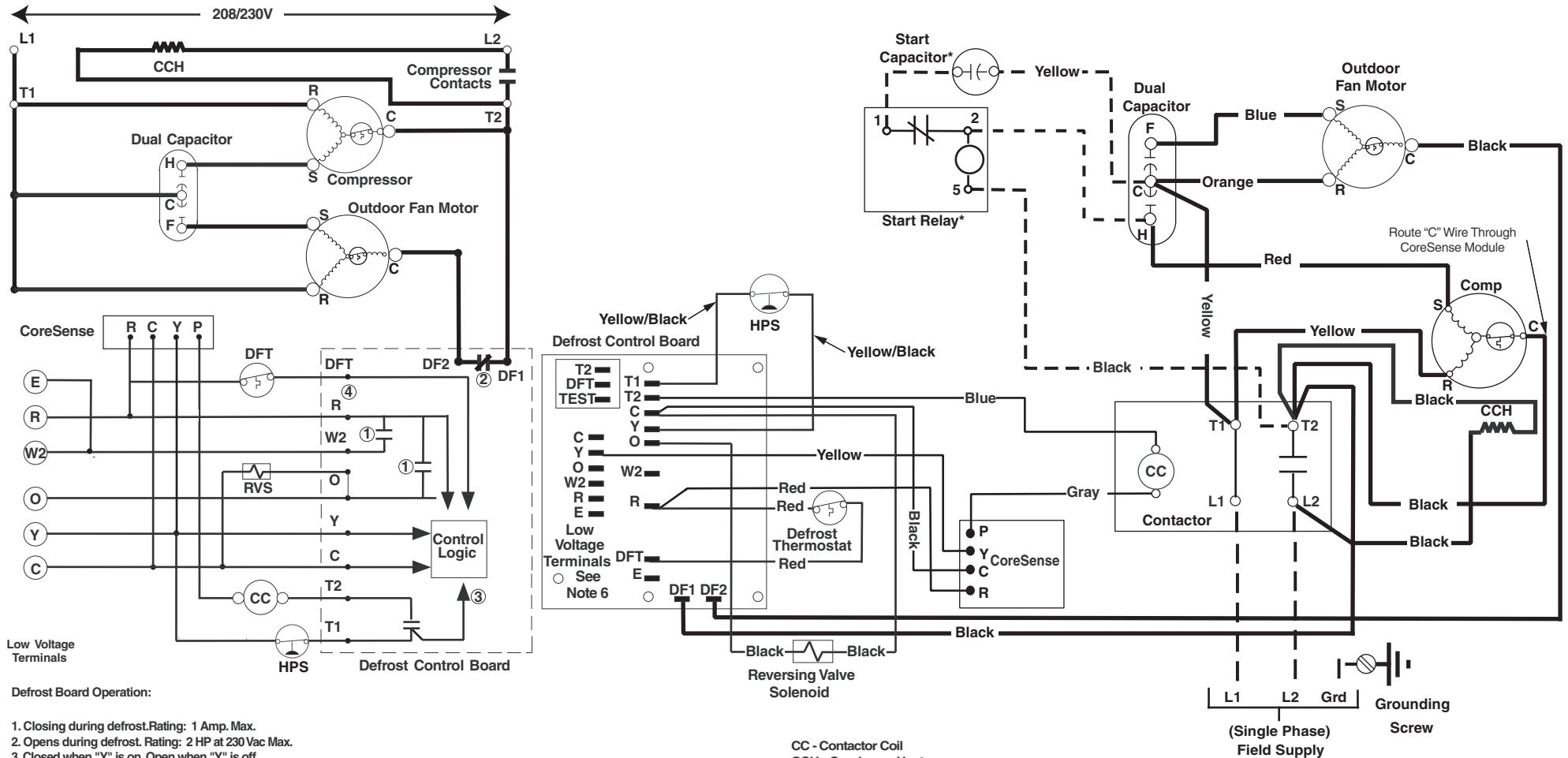
Single Phase

NOTES:

1. Disconnect all power before servicing.
2. For supply connections use copper conductors only.
3. Not suitable on systems that exceed 150 volts to ground.
4. For replacement wires use conductors suitable for 105° C.
5. For ampacities and overcurrent protection, see unit rating plate.
6. Connect to 24 vac/40va/class 2 circuit. See furnace/air handler installation

1. Couper le courant avant de faire l'entretien.
2. Employez uniquement des conducteurs en cuivre.
3. Ne convient pas aux installations de plus de 150 volt a la terre.

instructions for control circuit and optional relay/transformer kits.



CoreSense Status LED	Status LED Description	Lockout Level	Lockout Indication
Normal Run; Solid Yellow	Normal Operation, no trip	N/A	N/A
Code 1; Yellow Flash 1	Long Run Time. Compressor running extremely long run cycle. (disabled in HP mode.)	N/A	N/A
Code 2; Yellow Flash 2	Compressor Pressure Trip. Disch. or suct. pressure out of limits or compressor overloaded.	4 cons, 10x total	Red: Flash 2
Code 3; Yellow Flash 3	Short Cycling. Compressor is running only briefly.	4 cons, 10x total	Red: Flash 3
Code 4; Yellow Flash 4	Locked Rotor.	10 consecutive	Red: Flash 4
Code 5; Yellow Flash 5	Compressor Moderate Run. Compressor runs >15min, then trips >7min.	4 cons, 10x total	Red: Flash 5
Code 9; Red Flash 19	Over Current Protection. PROT terminal has >2A input for more than 40ms	1 Occurrence	Red: Flash 9
Trip; Solid Red	Demand but compressor is not running	N/A	N/A

Low Voltage Terminals

Defrost Board Operation:

1. Closing during defrost. Rating: 1 Amp. Max.
2. Opens during defrost. Rating: 2 HP at 230 Vac Max.
3. Closed when "Y" is on. Open when "Y" is off. Provides "off" delay time of 5 min. when "Y" opens.
4. With DFT closed and "Y" closed, compressor run time is accumulated. Opening of DFT during defrost or interval period resets the interval to 0.

LEGEND:

FIELD WIRING	---
LOW VOLTAGE	---
HIGH VOLTAGE	---

- CC - Contactor Coil
- CCH - Crankcase Heater
- DFT - Defrost Thermostat
- HPS - High Pressure Switch
- LPS - Low Pressure Switch
- RVS - Reversing Valve Solenoid
- * - Hard Start Kit Field Installed



711206
(Replaces 710533D)